



US00D339429S

United States Patent [19]

[11] Patent Number: **Des. 339,429**

Reid et al.

[45] Date of Patent: **** Sep. 14, 1993**

[54] **AUTOMATIC ANIMAL FEEDER**
[75] Inventors: **Alister P. Reid**, London; **John Kopec**, Blackburn, both of England

4,617,874 10/1986 Zammarand 119/51.12
4,671,210 6/1987 Robinson et al. 119/51.12
5,150,664 9/1992 Kirk 119/51.12

[73] Assignee: **Reilor Limited**, Preston, United Kingdom

FOREIGN PATENT DOCUMENTS

2498889 8/1982 France 119/51.12
2128868 5/1984 United Kingdom 119/51.12
2166934 5/1986 United Kingdom 119/51.11

[**] Term: **14 Years**

[21] Appl. No.: **759,067**

OTHER PUBLICATIONS

[22] Filed: **Sep. 13, 1991**

Tupperware Catalog; p. 22 item K-35; bottom right corner-serving center.

[30] Foreign Application Priority Data

Mar. 21, 1991 [GB] United Kingdom 2013735

[52] U.S. Cl. **D30/121; D7/553; D7/555; D7/541; D30/131**

Primary Examiner—A. Hugo Word
Assistant Examiner—Cathy Anne MacCormac
Attorney, Agent, or Firm—Dority & Manning

[58] Field of Search **D30/121-123, D30/129-133, 119-120; 119/61, 51.5, 51.11, 51.12, 52.4, 72, 73, 77, 158; D7/550, 553, 555-557, 616, 541**

[57] CLAIM

The ornamental design of automatic animal feeder, as shown and described.

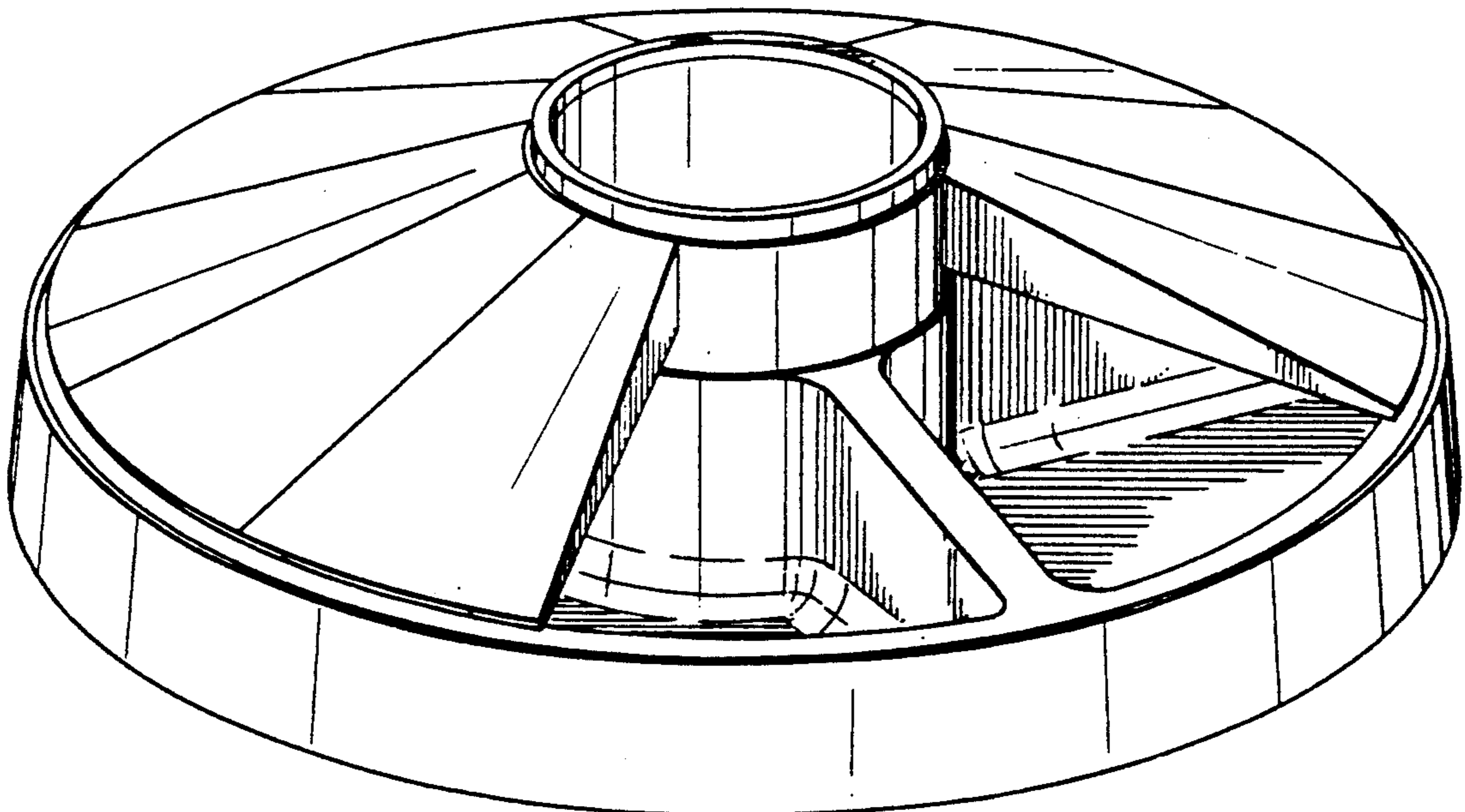
[56] References Cited

U.S. PATENT DOCUMENTS

D. 236,012 7/1975 Crawford D30/122
D. 317,666 6/1991 Haynes D30/131
D. 326,743 6/1992 Haynes D7/557
4,249,483 2/1981 Jobky 119/51.12
4,450,790 5/1984 Stansbury, Jr. 119/51.5
4,501,229 2/1985 Williamson 119/51.12

DESCRIPTION

FIG. 1 is an isometric view of an automatic animal feeder according to the present invention;
FIG. 2 is an isometric view of the automatic animal feeder of FIG. 1 with parts separated;
FIG. 3 is an elevational view of the automatic animal feeder of FIG. 1; and,
FIG. 4 is a plan view of the automatic animal feeder of FIG. 1.



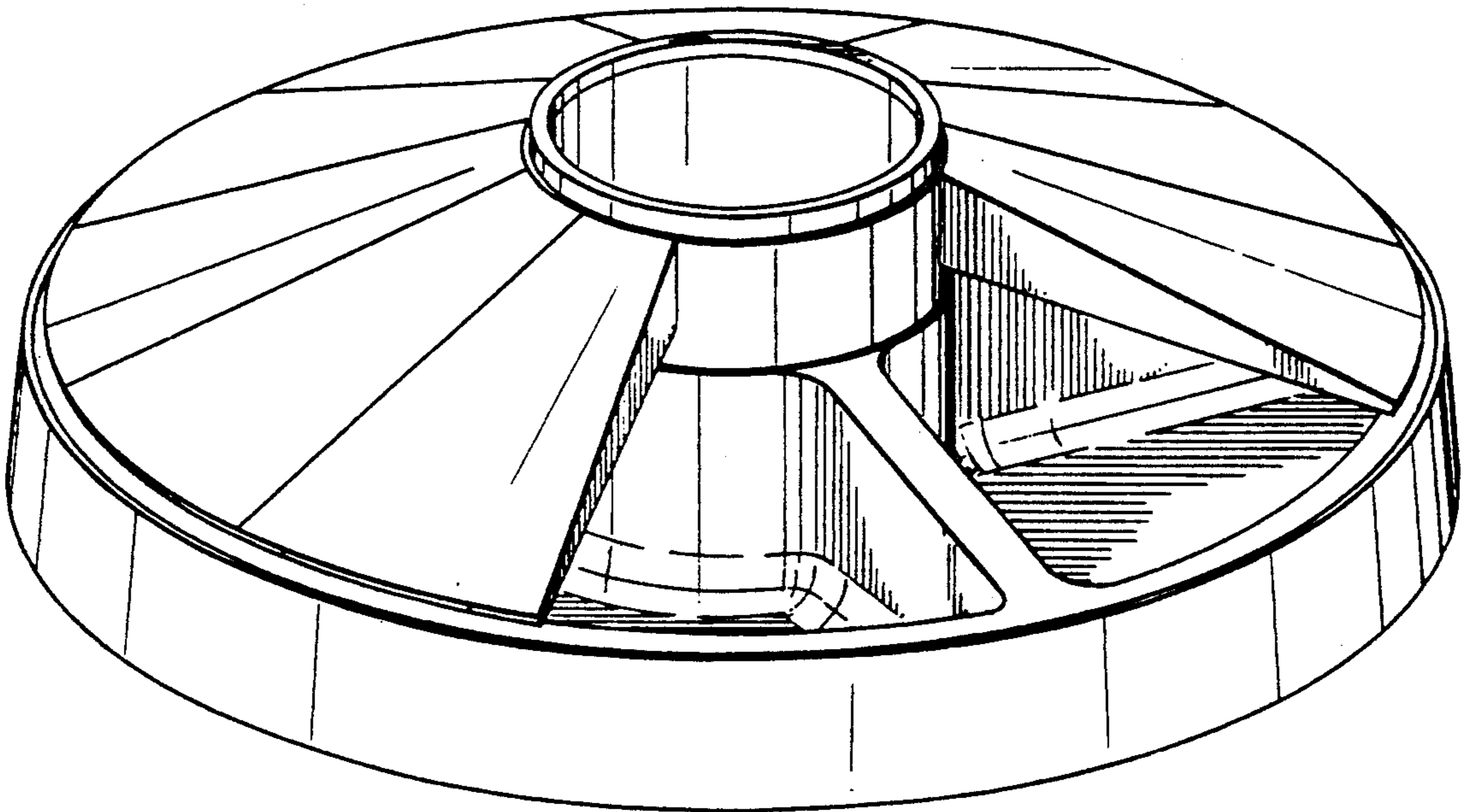


Fig.1.

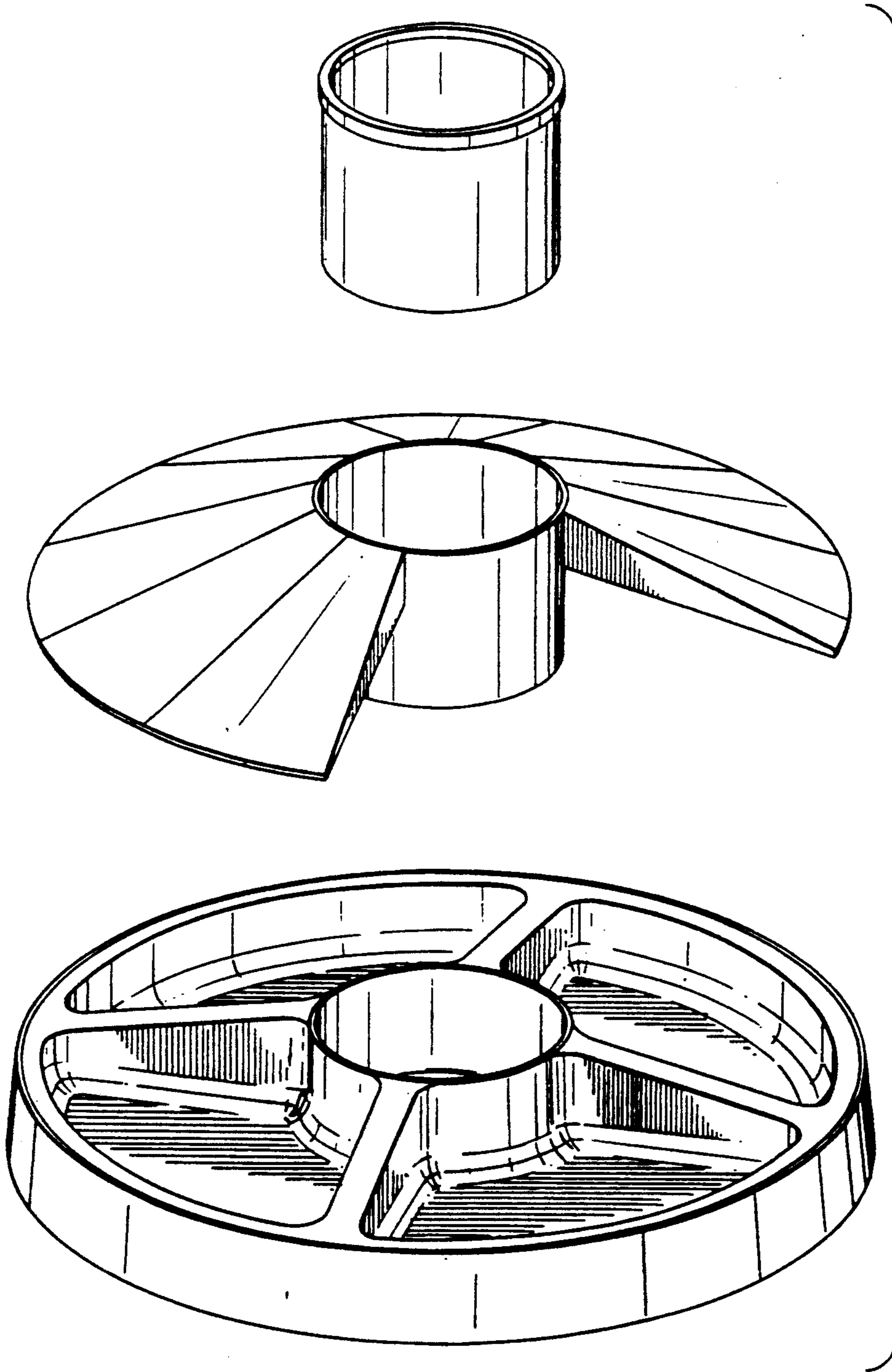


Fig. 2.

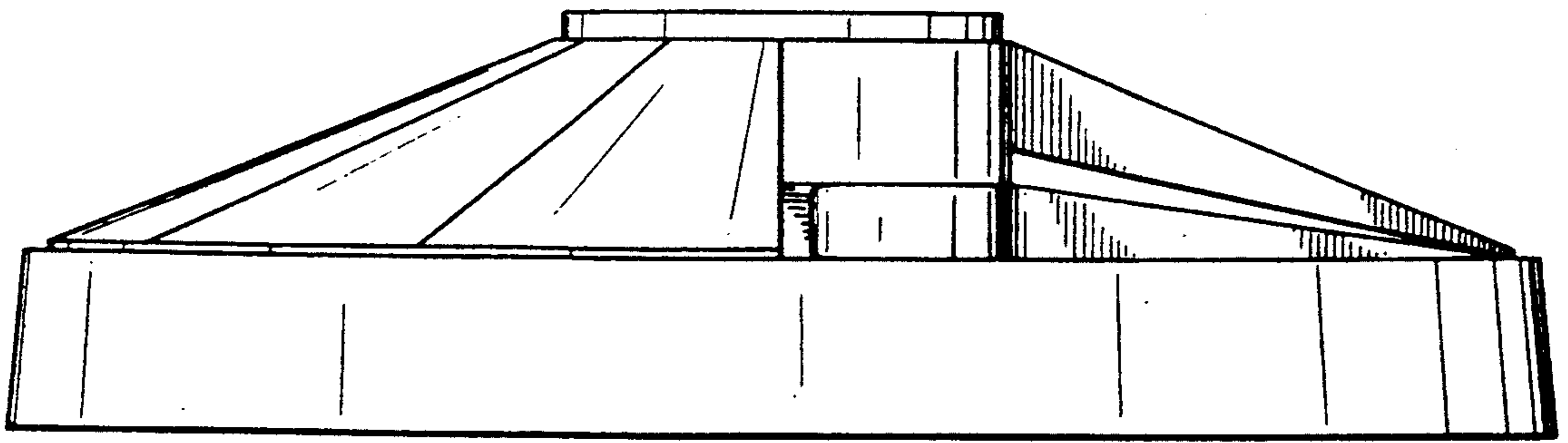


Fig. 3.

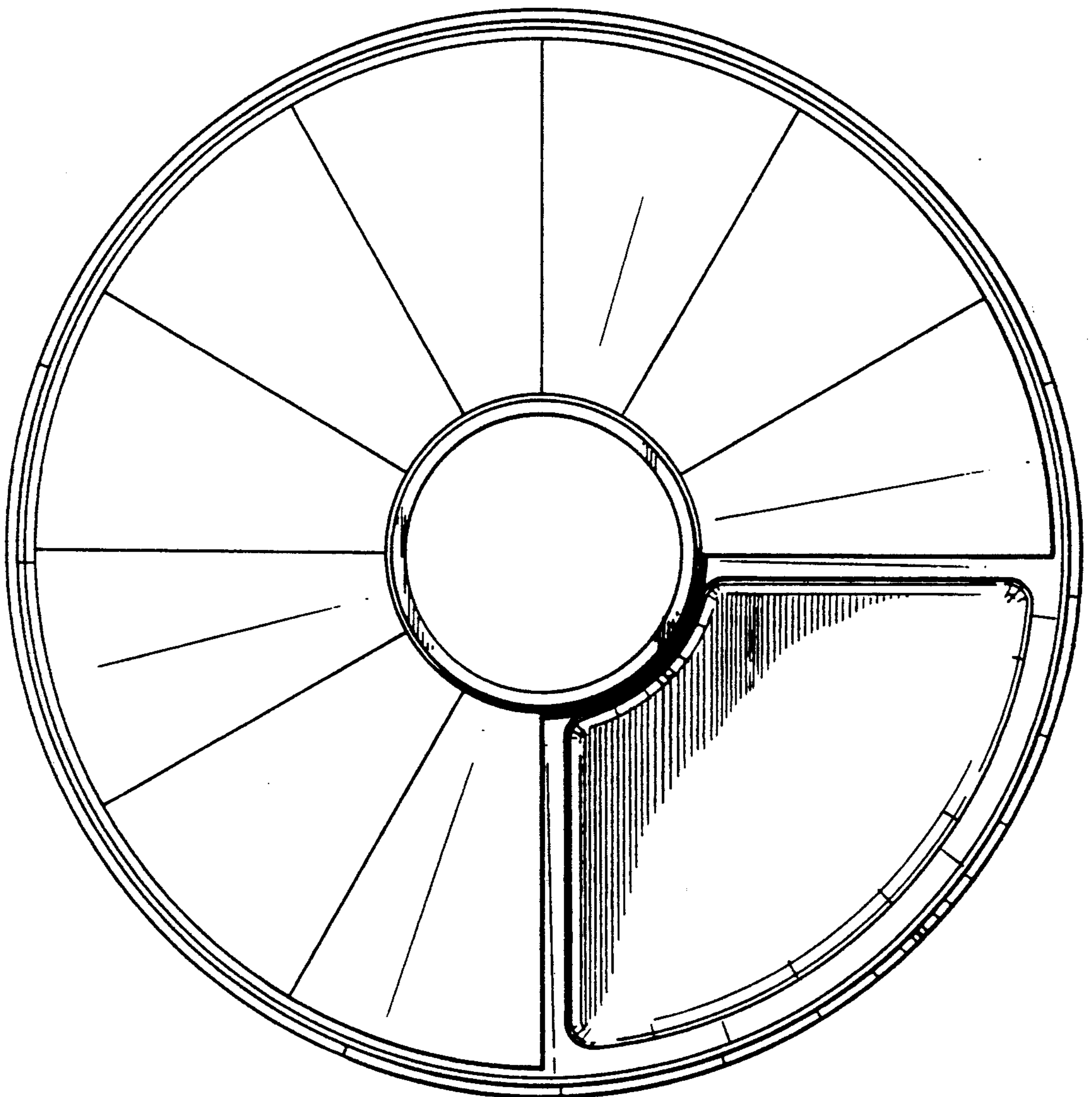


Fig. 4.