



US00D339424S

# United States Patent [19]

[11] Patent Number: **Des. 339,424**

Riley

[45] Date of Patent: **\*\* Sep. 14, 1993**

[54] **SURGICAL INSTRUMENT STERILIZATION TRAY**

4,728,504	3/1988	Nichols	422/300 X
4,798,292	1/1989	Itauze	206/363 X
4,959,199	9/1990	Brewer	206/439 X
5,080,874	1/1992	Nicholas	206/363 X
5,084,251	1/1992	Thomas	206/557 X

[75] Inventor: **Edward D. Riley, Portland, Me.**

[73] Assignee: **Riley Medical, Inc., Auburn, Me.**

[\*\*] Term: **14 Years**

*Primary Examiner—Stella Reid*  
*Assistant Examiner—I. Simmons*  
*Attorney, Agent, or Firm—Cesari and McKenna*

[21] Appl. No.: **770,655**

[57] **CLAIM**

[22] Filed: **Oct. 3, 1991**

The ornamental design for a surgical instrument sterilization tray, as shown.

[52] U.S. Cl. .... **D24/217; D24/230**

[58] Field of Search ..... **D24/217, 227, 229, 230; 206/570, 363, 364, 365, 438, 439, 557, 560; 220/202, 349; 422/102, 104, 292, 297, 300, 310**

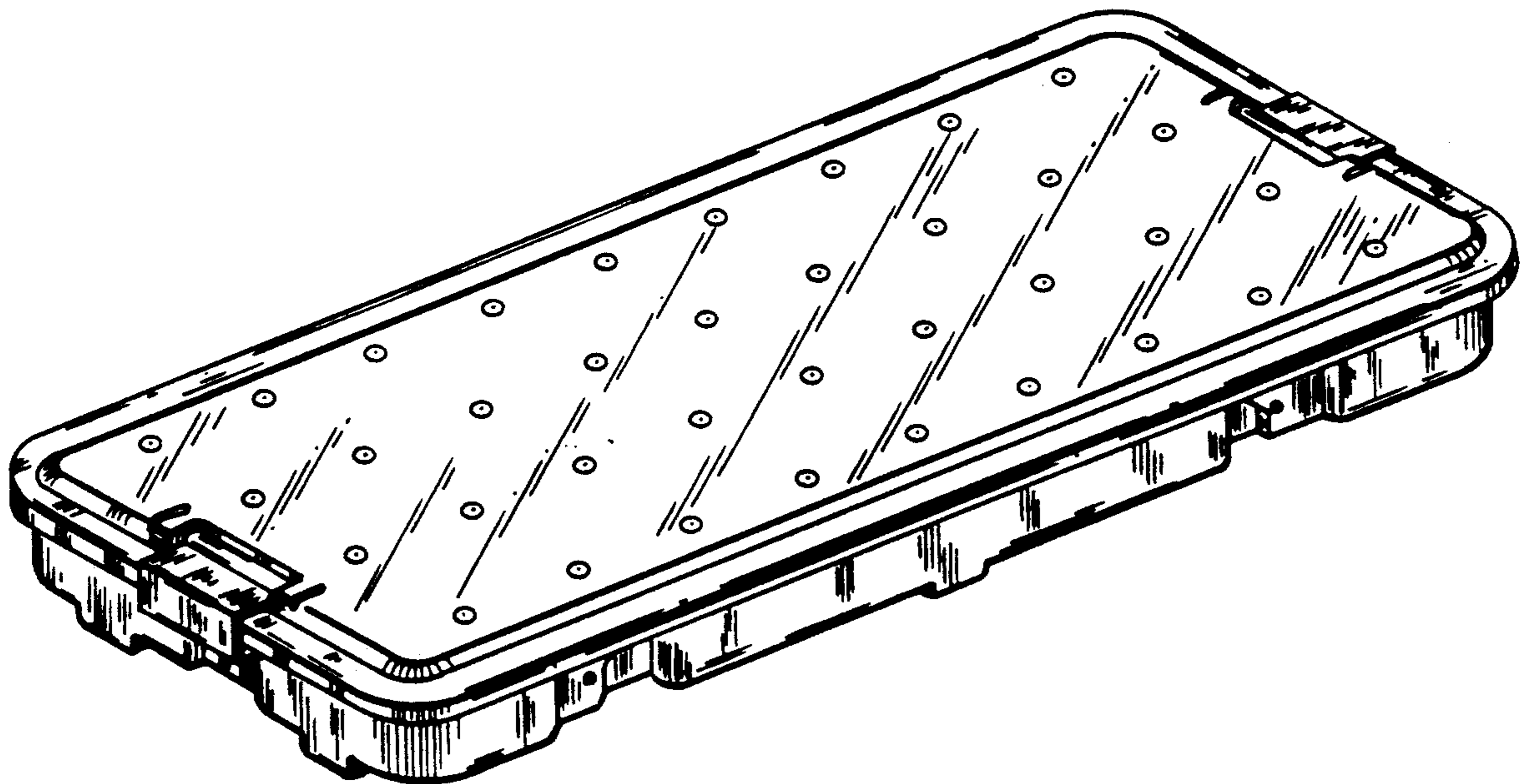
**DESCRIPTION**

[56] **References Cited**

**U.S. PATENT DOCUMENTS**

D. 295,075	5/1988	Jerge et al.	D24/217
D. 313,651	1/1991	Michelson	D24/230 X
4,643,303	2/1987	Arp et al.	422/300 X

FIG. 1 is a front perspective view of a surgical instrument sterilizer tray showing my new design; FIG. 2 is a front elevational view thereof, the rear elevational view being identical thereto; FIG. 3 is a side elevational view thereof, the opposite side elevational view being identical thereto; and, FIG. 4 is a bottom plan view thereof.



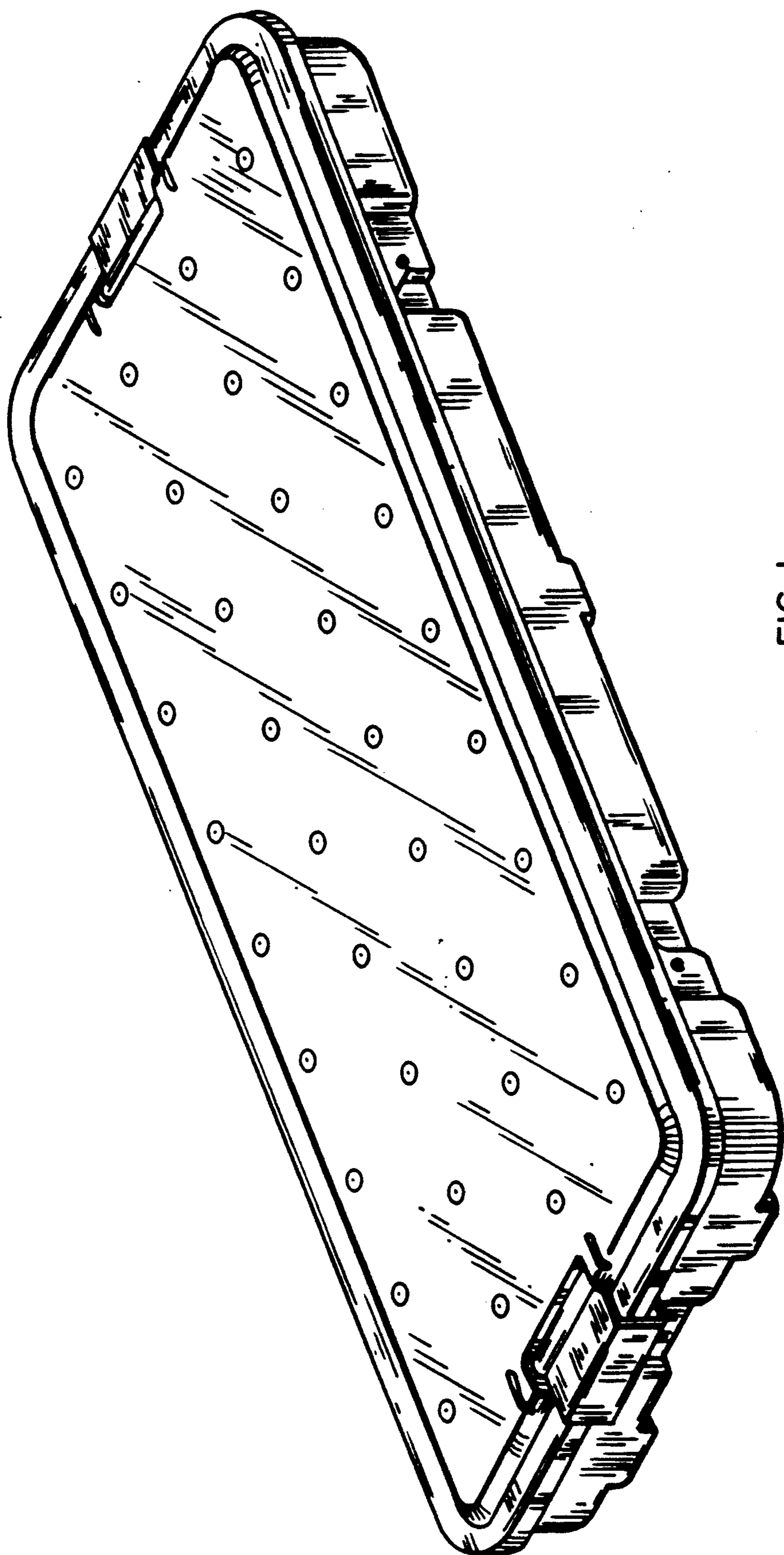


FIG. 1



FIG. 2

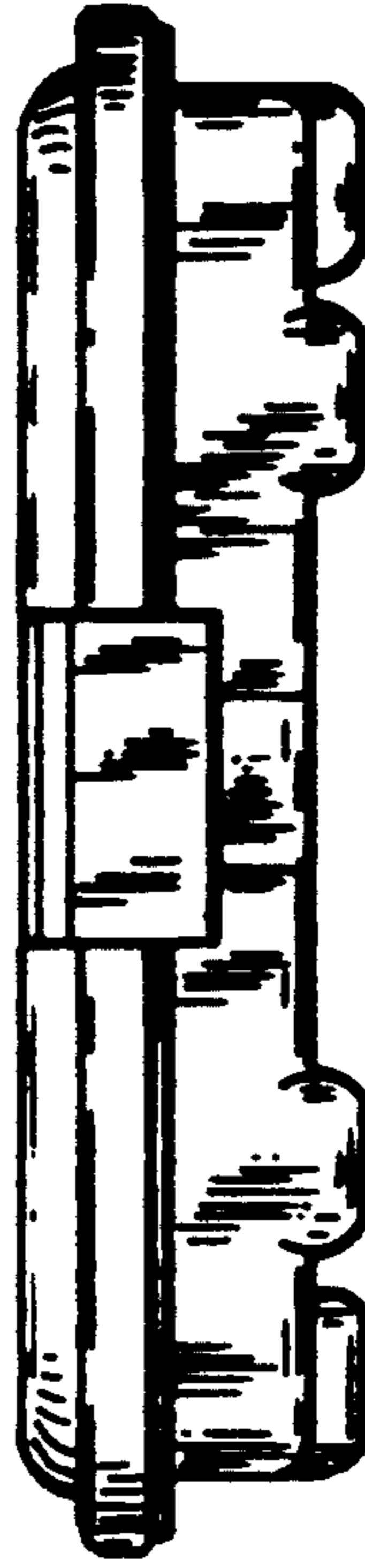


FIG. 3

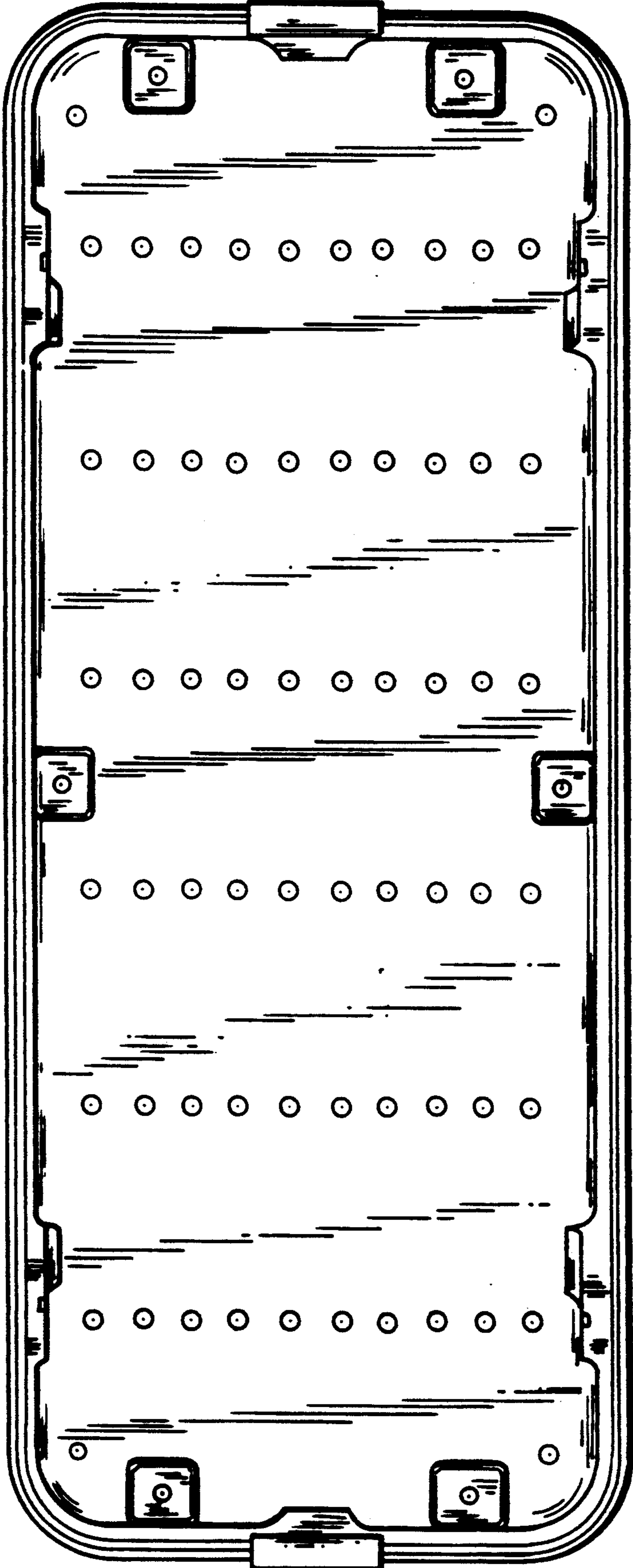


FIG. 4