



US00D339417S

United States Patent [19]

[11] Patent Number: **Des. 339,417**

Sampson et al.

[45] Date of Patent: **** Sep. 14, 1993**

[54] **TUBING CONNECTOR**

[76] Inventors: **Richard K. Sampson**, 3350 Eastbrook Dr., Fort Collins, Colo. 80525; **Bruce A. Williams**, 3717 S. Taft Hill Rd., #11A, Fort Collins, Colo. 80526

[**] Term: **14 Years**

[21] Appl. No.: **655,901**

[22] Filed: **Feb. 14, 1991**

[52] U.S. Cl. **D24/129**

[58] Field of Search **D24/117, 118, 129; 604/246, 280, 403, 905; 285/38, 239, 332**

[56] **References Cited**

U.S. PATENT DOCUMENTS

- D. 252,470 7/1979 Pawlak D24/129
- D. 300,361 3/1989 Tokarz D24/129
- D. 314,050 1/1991 Sone D24/129
- D. 326,155 5/1992 Boehringer et al. D24/129

- 4,296,949 10/1981 Muetterties et al. 285/332 X
- 4,397,442 8/1983 Larkin D24/129 X
- 4,439,188 3/1984 Dennehey et al. 604/283
- 4,827,921 5/1989 Rugheimer 604/283 X

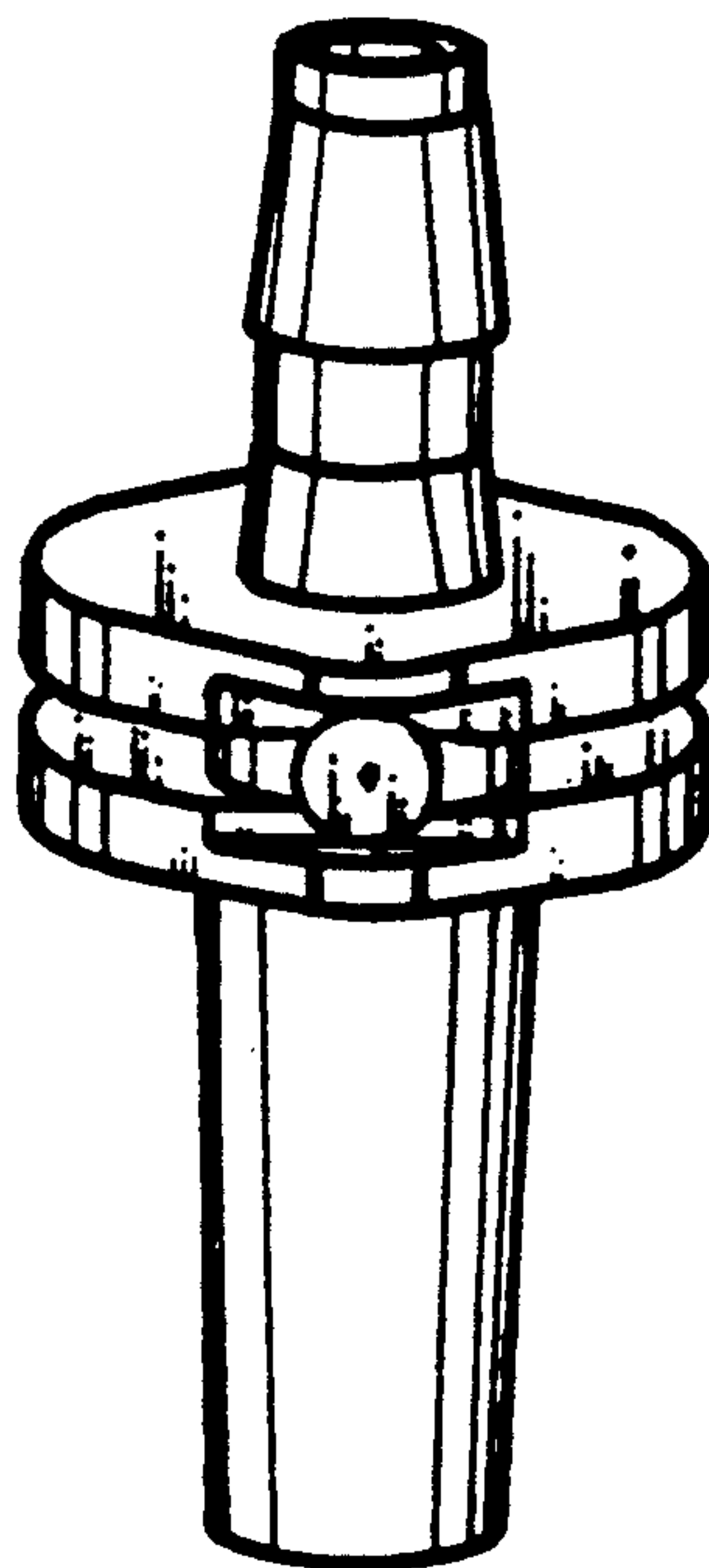
Primary Examiner—Stella Reid
Assistant Examiner—I. Simmons
Attorney, Agent, or Firm—Luke Santangelo

[57] **CLAIM**

The ornamental design for a tubing connector, as shown and described.

DESCRIPTION

FIG. 1 is a perspective view of a tubing connector showing our new design;
FIG. 2 is a front elevational view thereof;
FIG. 3 is a rear elevational view thereof;
FIG. 4 is a left side elevational view thereof;
FIG. 5 is a right side elevational view thereof;
FIG. 6 is a top plan view thereof; and,
FIG. 7 is a bottom plan view thereof.



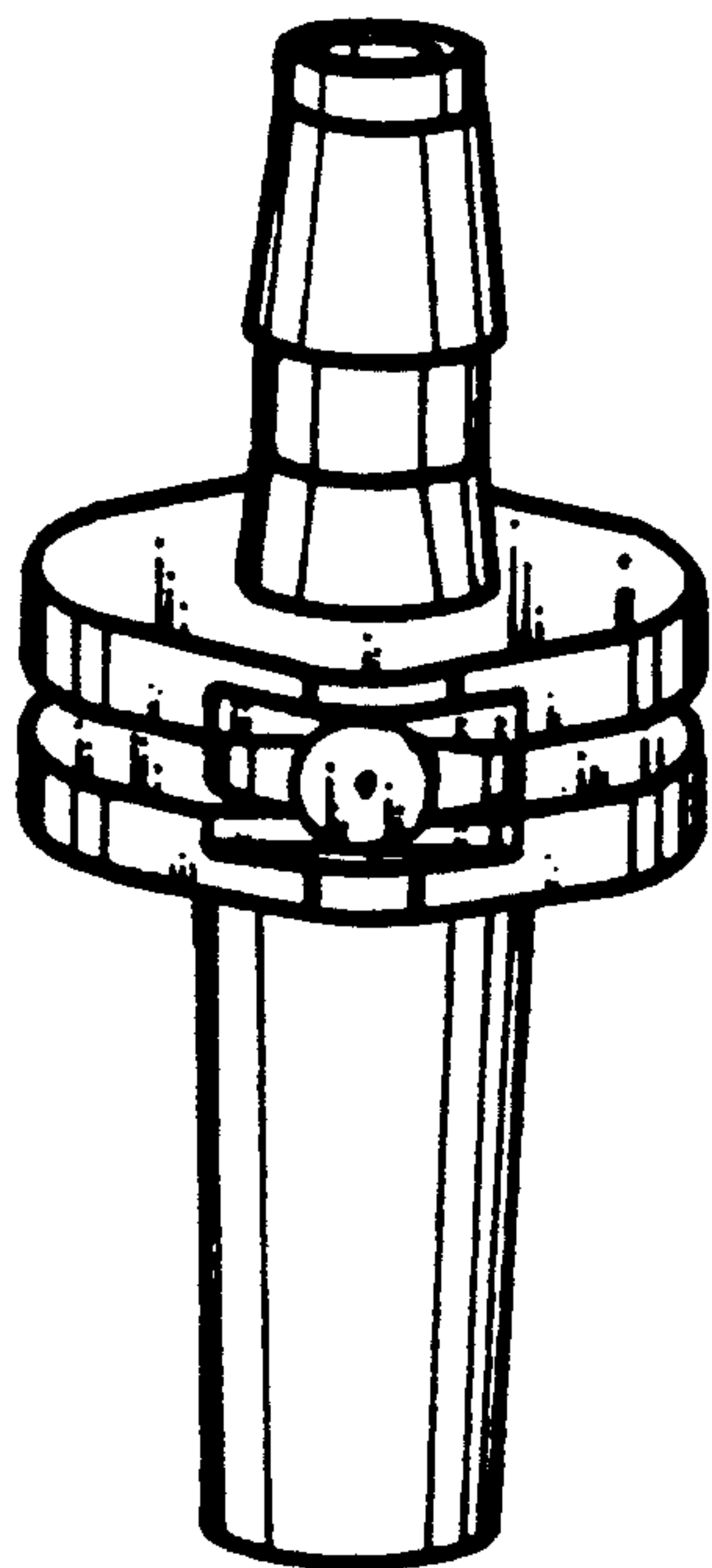


FIG. 1

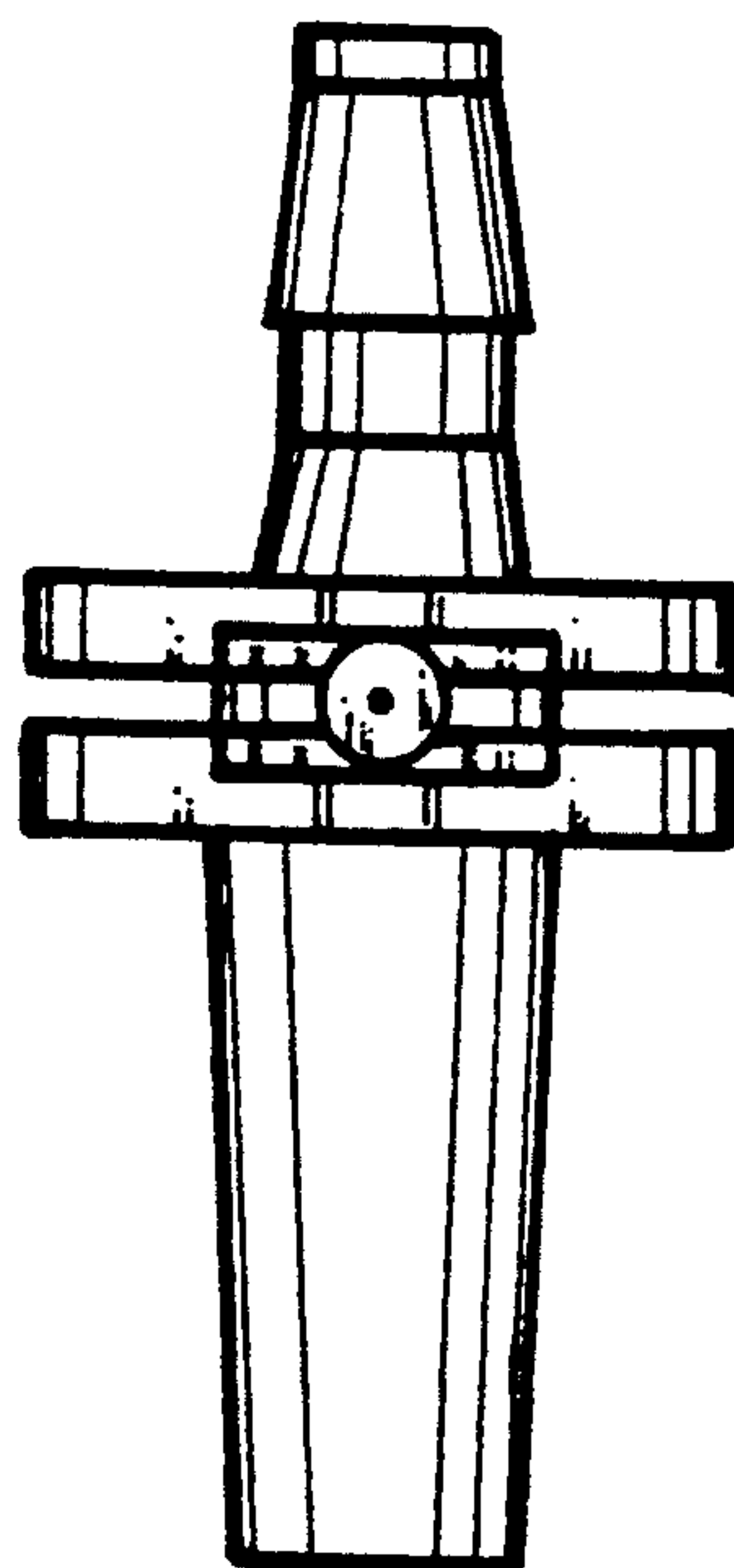


FIG. 2

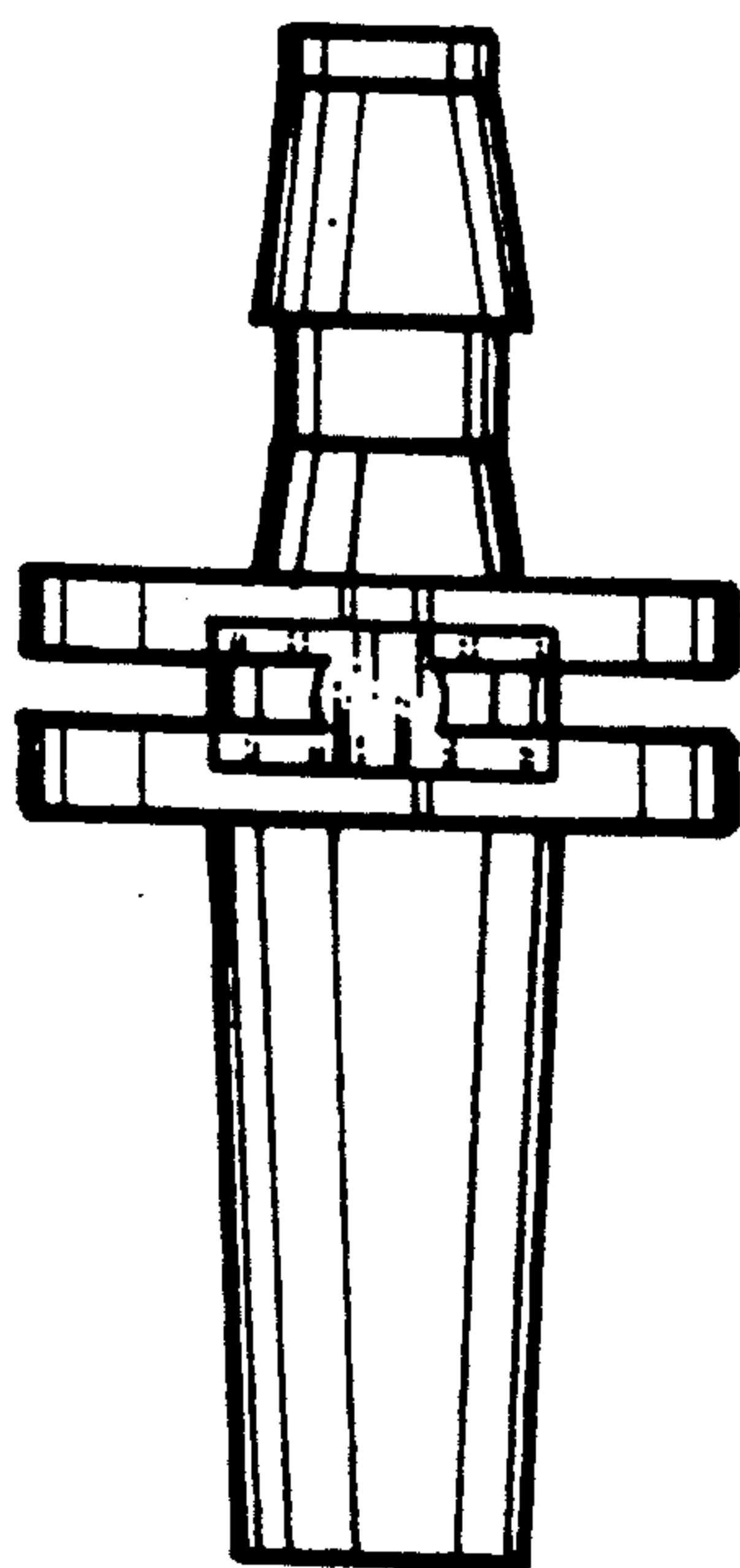


FIG. 3

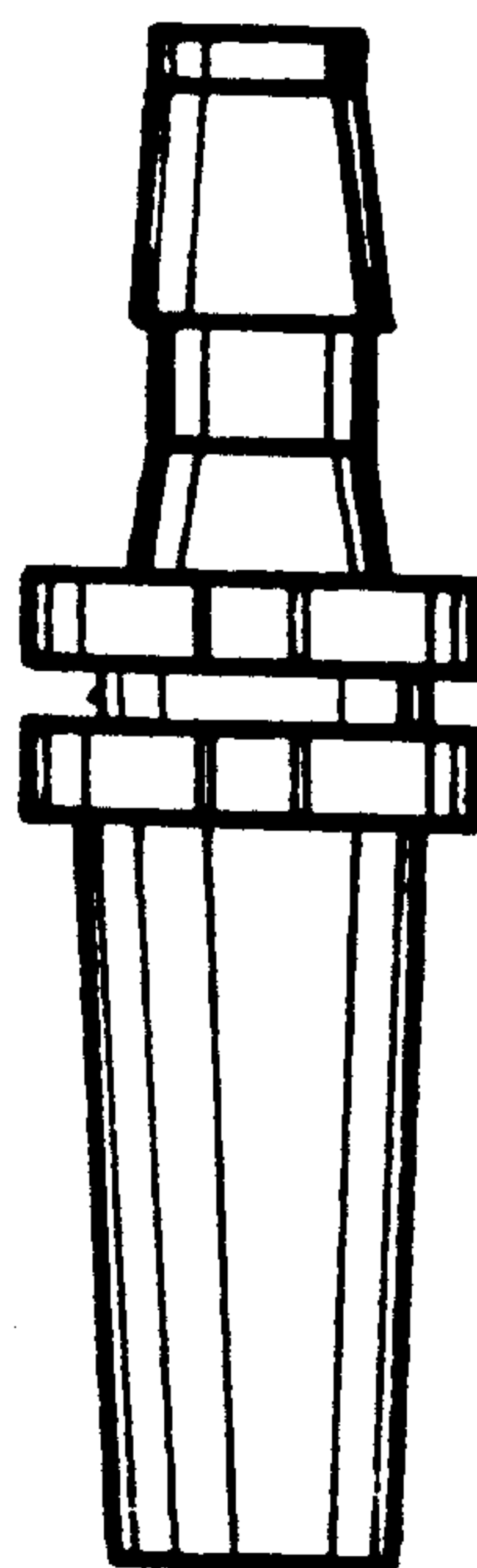


FIG. 4

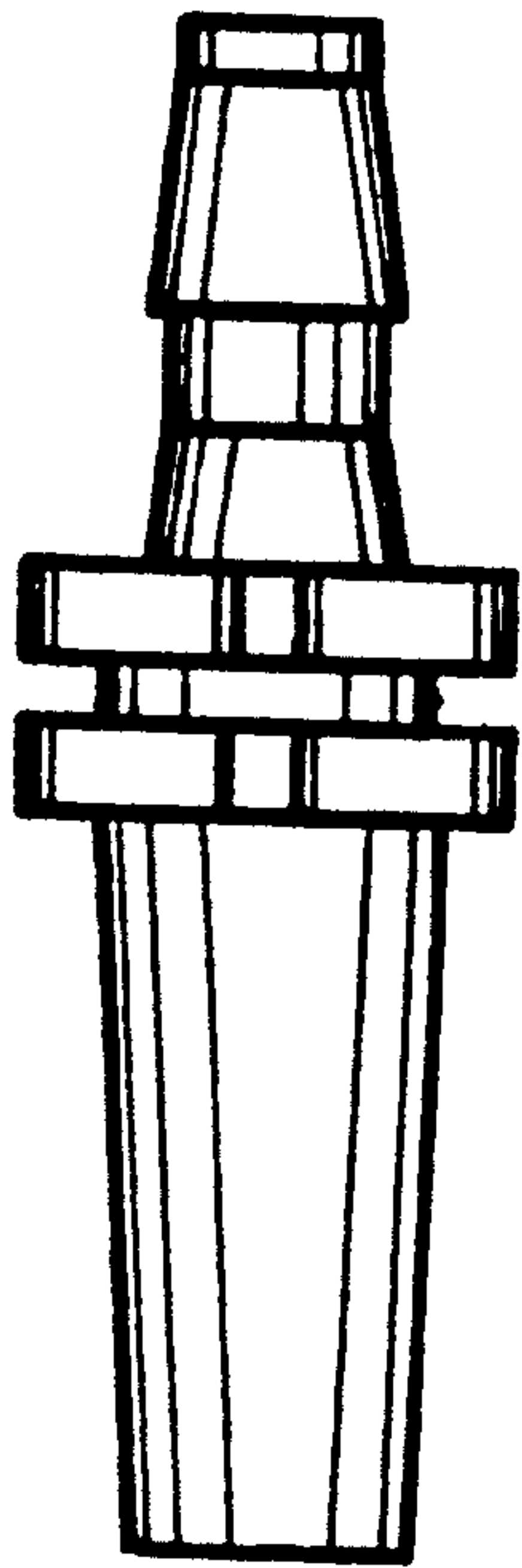


FIG. 5

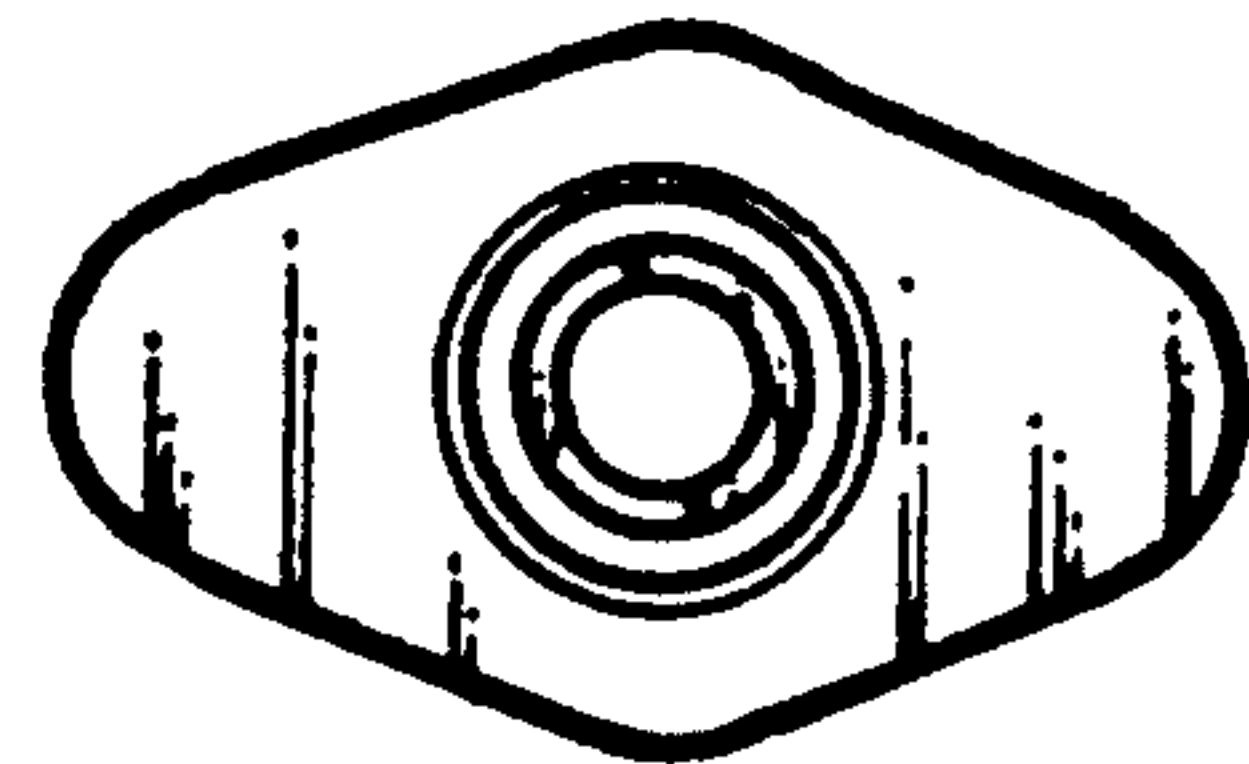


FIG. 6

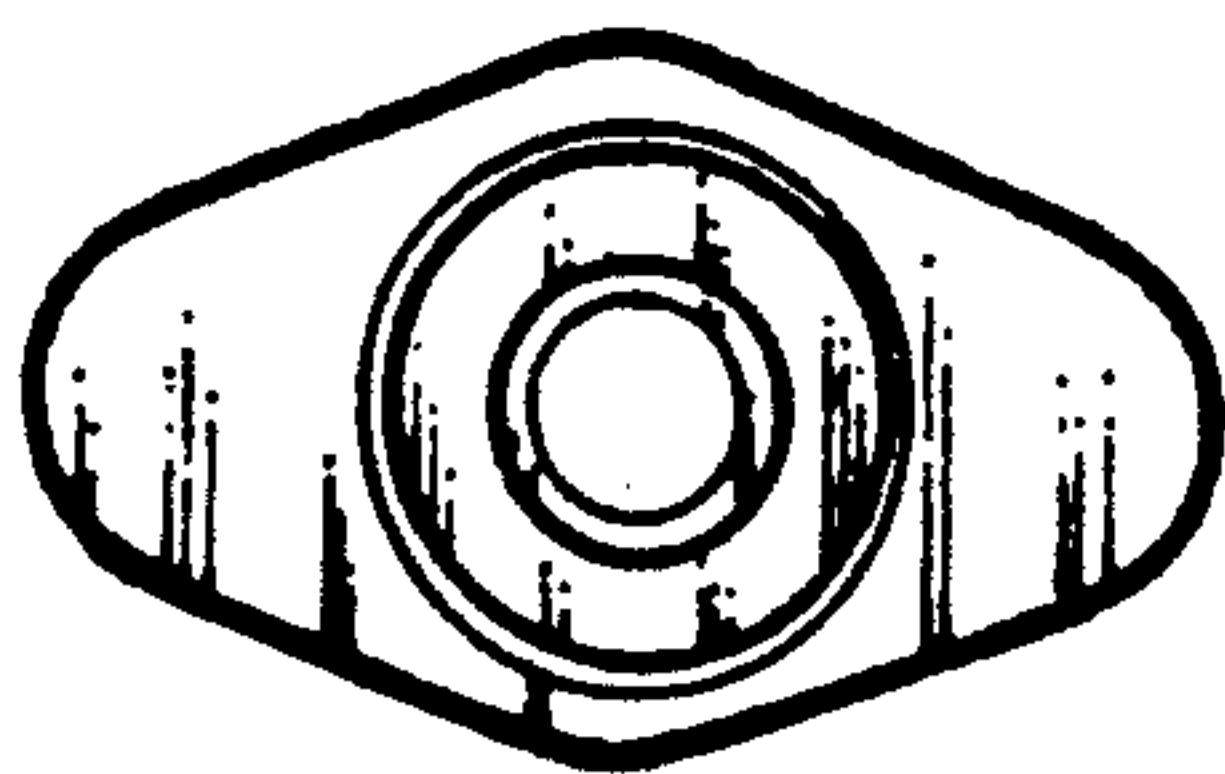


FIG. 7