



US00D339412S

# United States Patent [19]

[11] Patent Number: **Des. 339,412**

Hill et al.

[45] Date of Patent: **\*\* Sep. 14, 1993**

[54] SPOUT

[75] Inventors: **Loran R. Hill**, Indianapolis; **Anthony G. Spangler**, Sheridan, both of Ind.

[73] Assignee: **Masco Corporation of Indiana**, Taylor, Mich.

[\*\*] Term: **14 Years**

[21] Appl. No.: **692,023**

[22] Filed: **Apr. 26, 1991**

[52] U.S. Cl. .... **D23/255**

[58] Field of Search ..... **D23/238-243, D23/255-257; 4/676-678; 137/801**

[56] **References Cited**

**U.S. PATENT DOCUMENTS**

- D. 203,244 12/1965 Bilkiss ..... D23/255
- D. 203,245 12/1965 Bilkiss ..... D23/255
- D. 204,587 4/1966 Armstrong ..... D23/255
- D. 271,706 12/1983 Fabian ..... D23/255

- D. 295,664 5/1988 Kohler, Jr. et al. .... D23/255
- D. 296,234 6/1988 Enthoven ..... D23/255
- D. 297,972 10/1988 Yost ..... D23/255

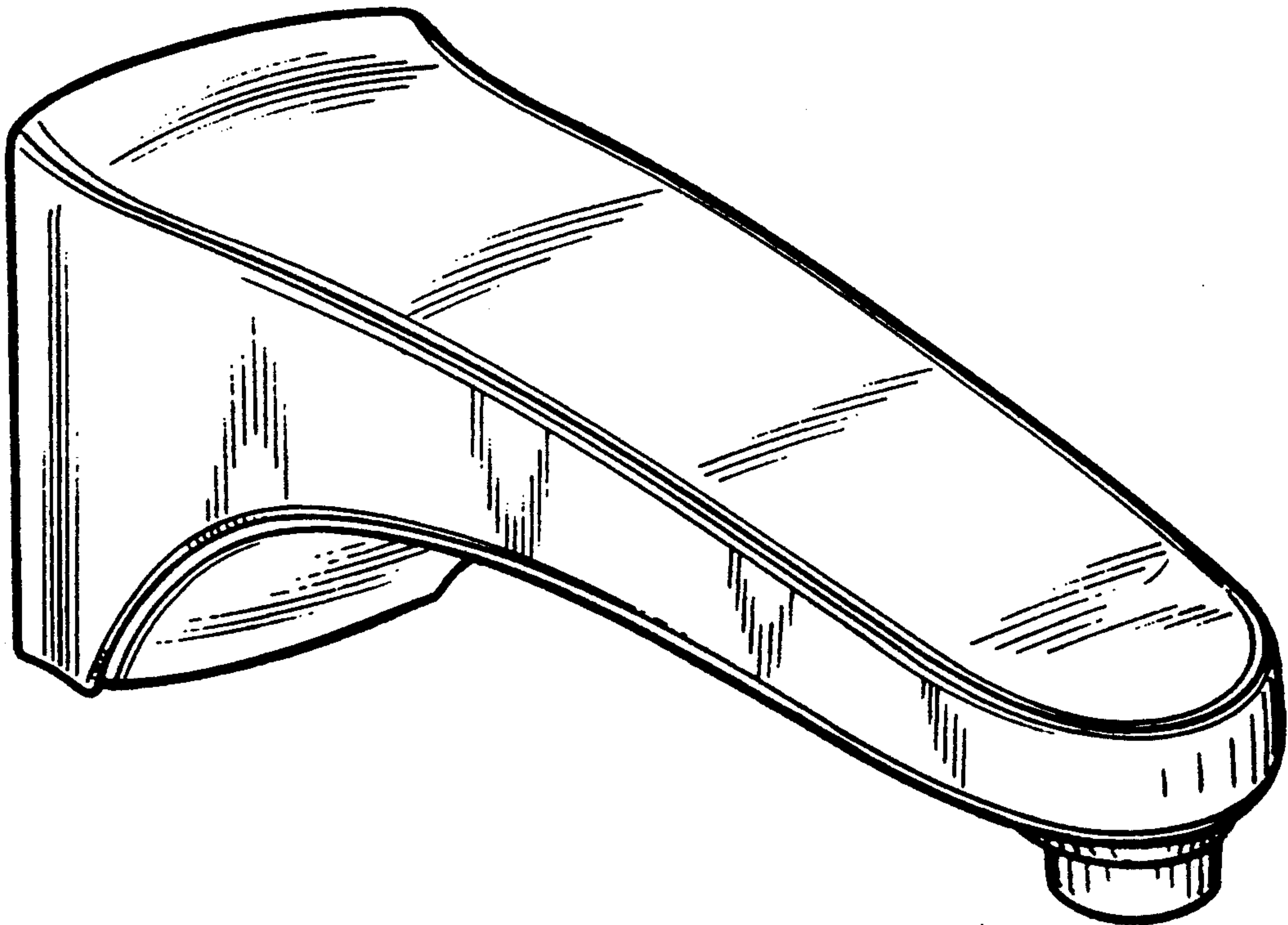
*Primary Examiner*—James R. Largen  
*Attorney, Agent, or Firm*—Myron B. Kapustij; Malcolm L. Sutherland

[57] **CLAIM**

The ornamental design for a spout, as shown and described.

**DESCRIPTION**

FIG. 1 is a top perspective view of a spout showing the new design;  
FIG. 2 is a front elevational view thereof;  
FIG. 3 is a top plan view thereof;  
FIG. 4 is a bottom plan view thereof;  
FIG. 5 is a right side elevational view thereof; and,  
FIG. 6 is a left side elevational view thereof.  
The broken line representation of a threaded mounting shank in FIGS. 3 through 6 is for purposes of illustration only and form no part of the claimed design.



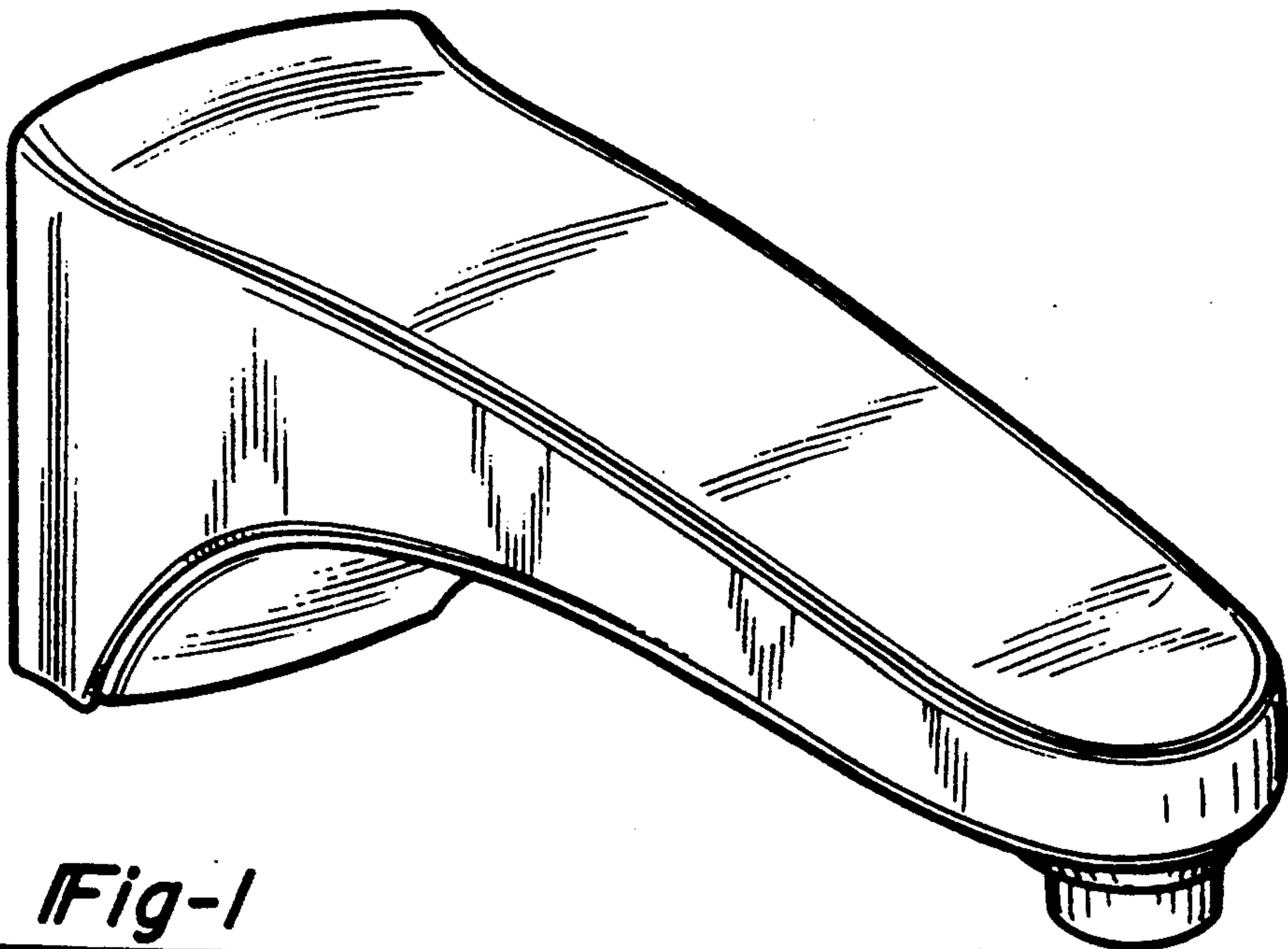


Fig-1

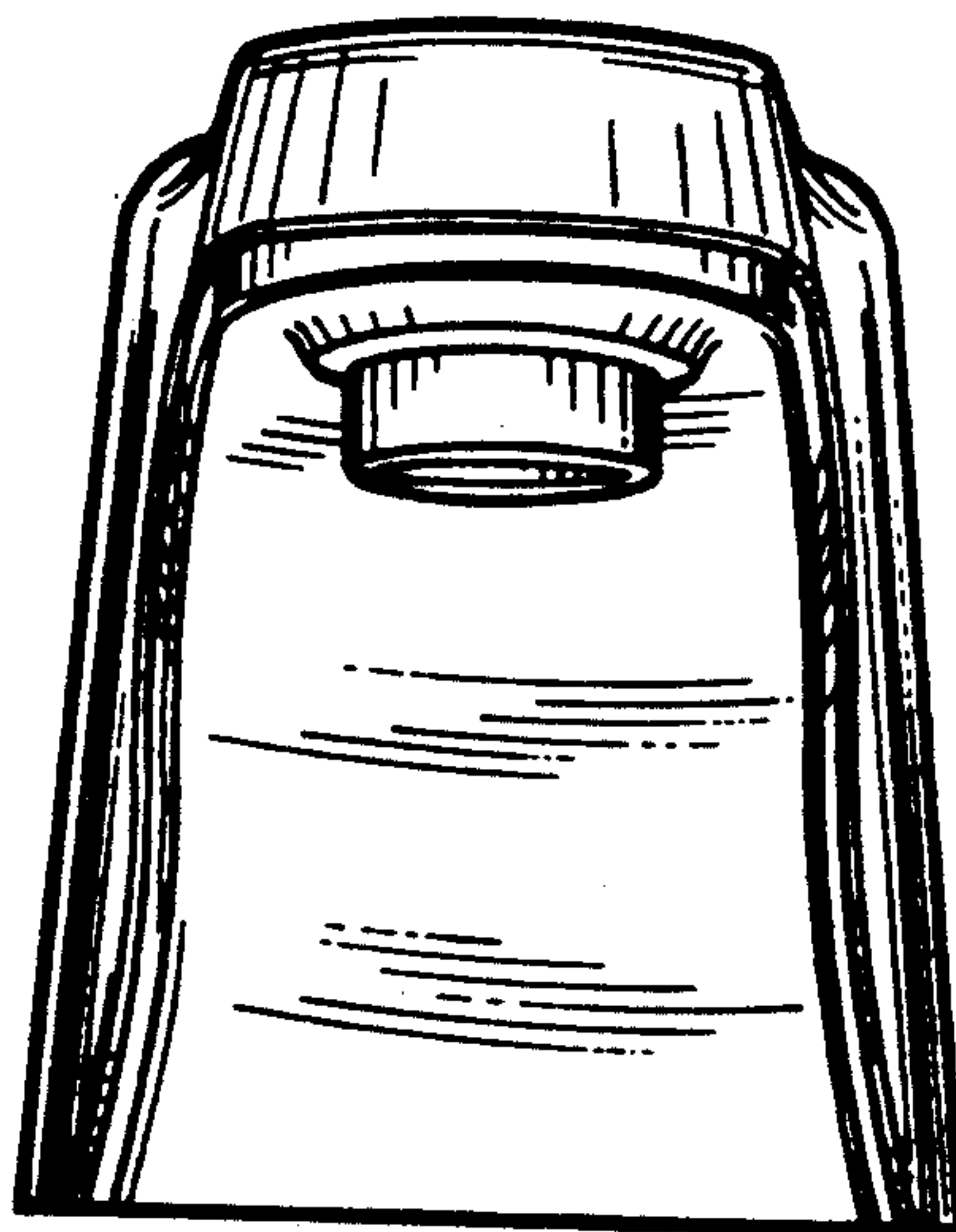


Fig-2

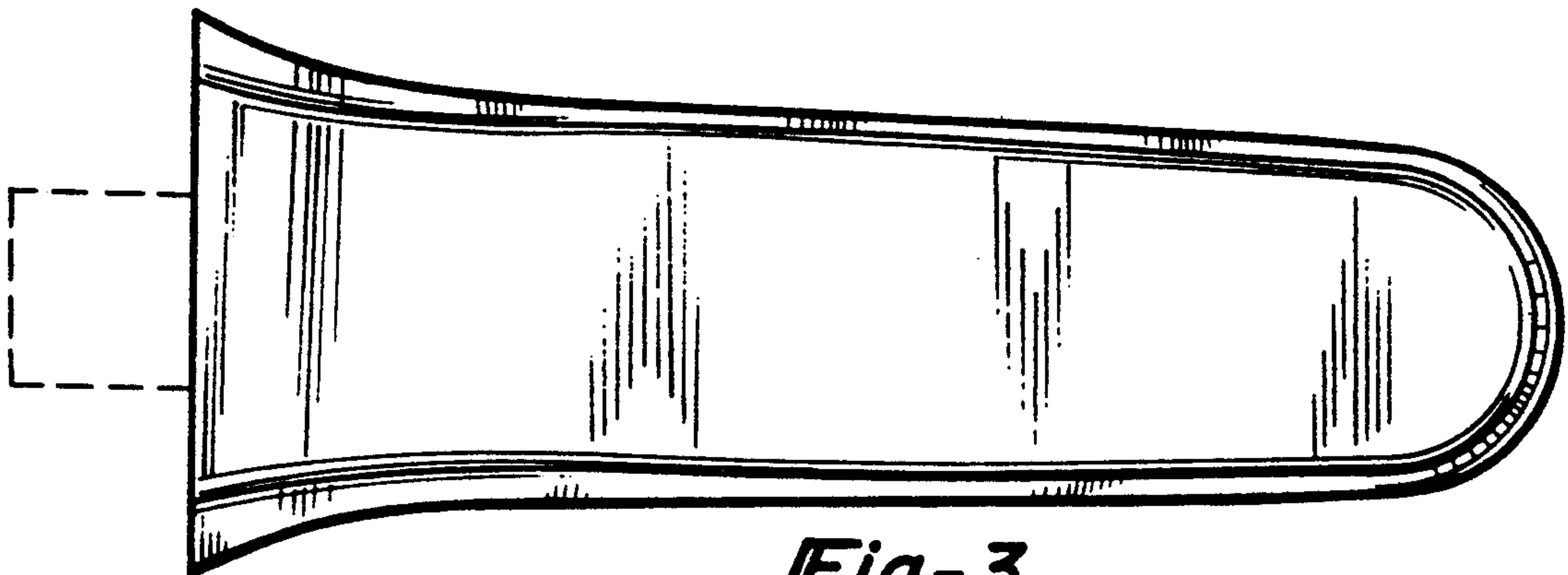


Fig-3

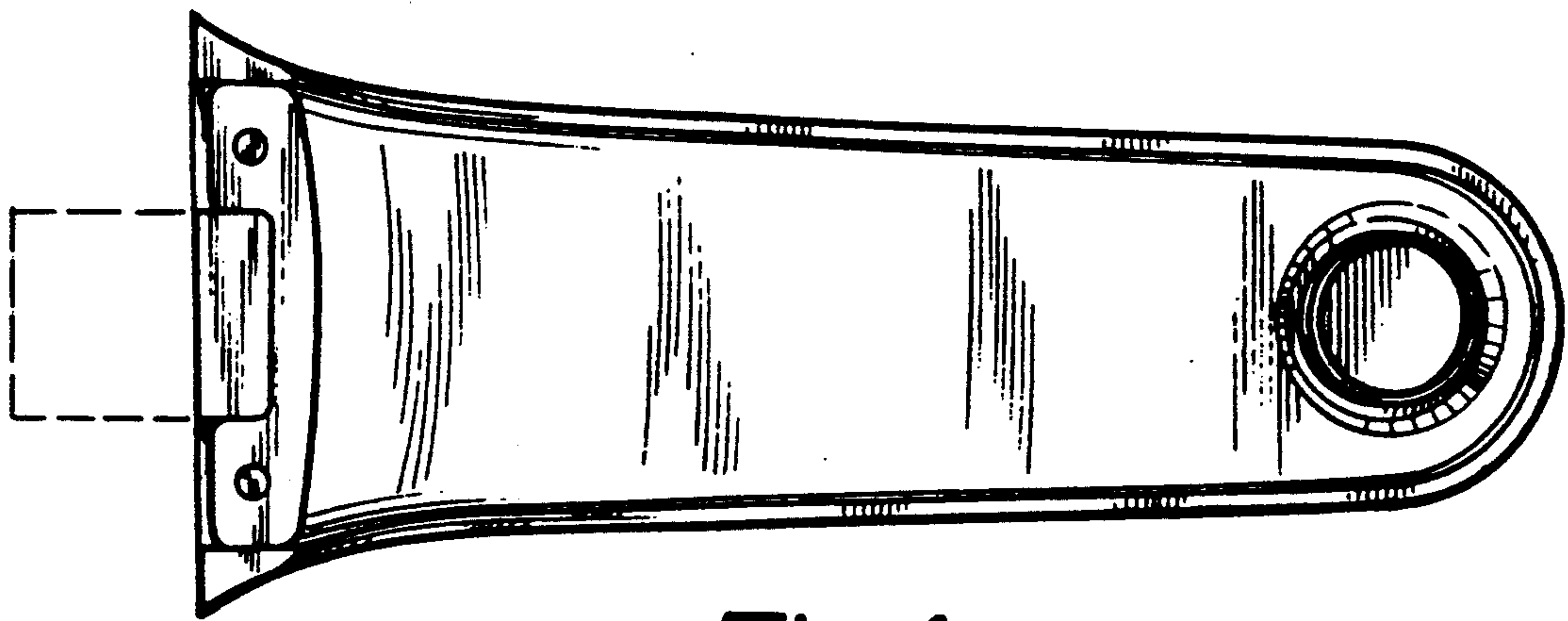


Fig-4

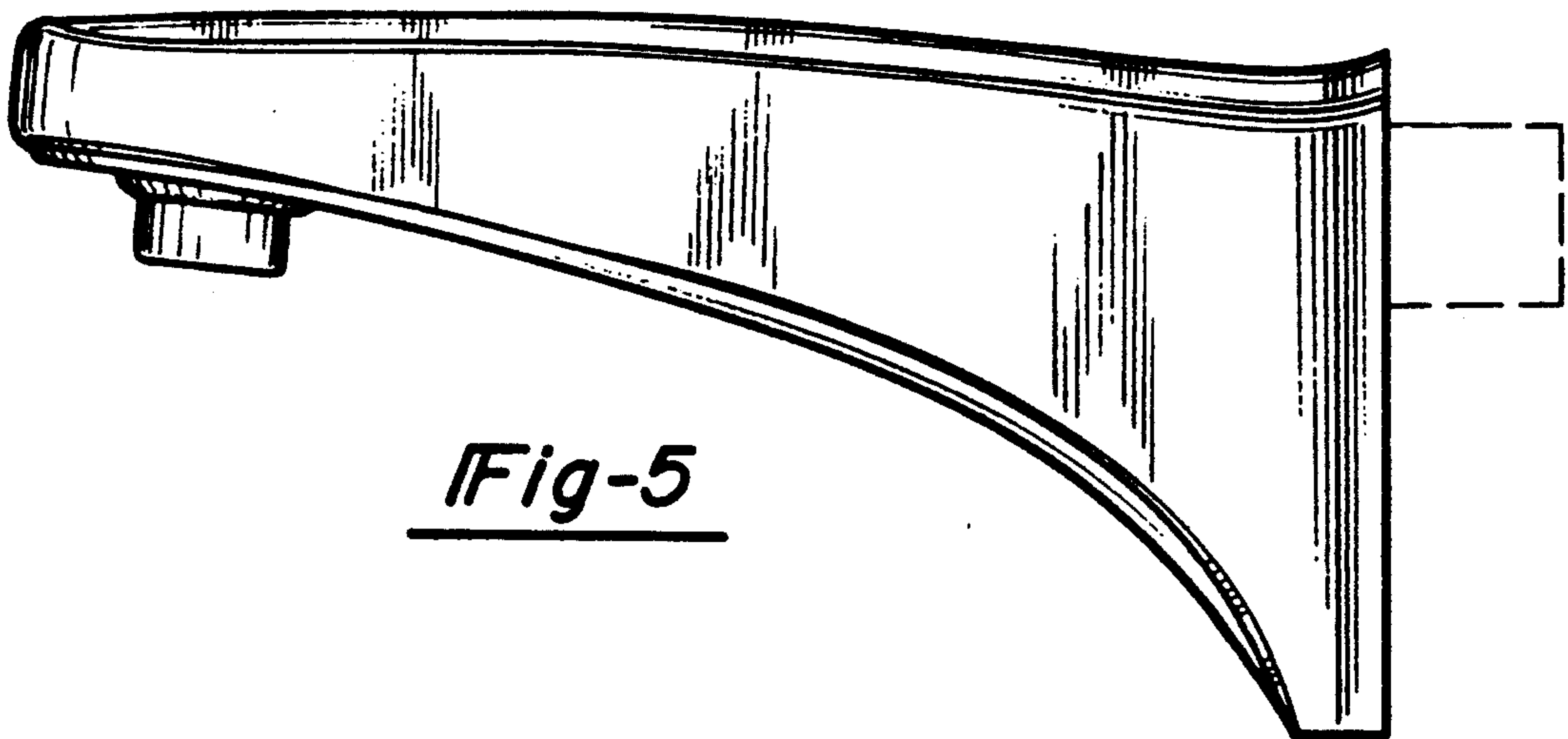


Fig-5

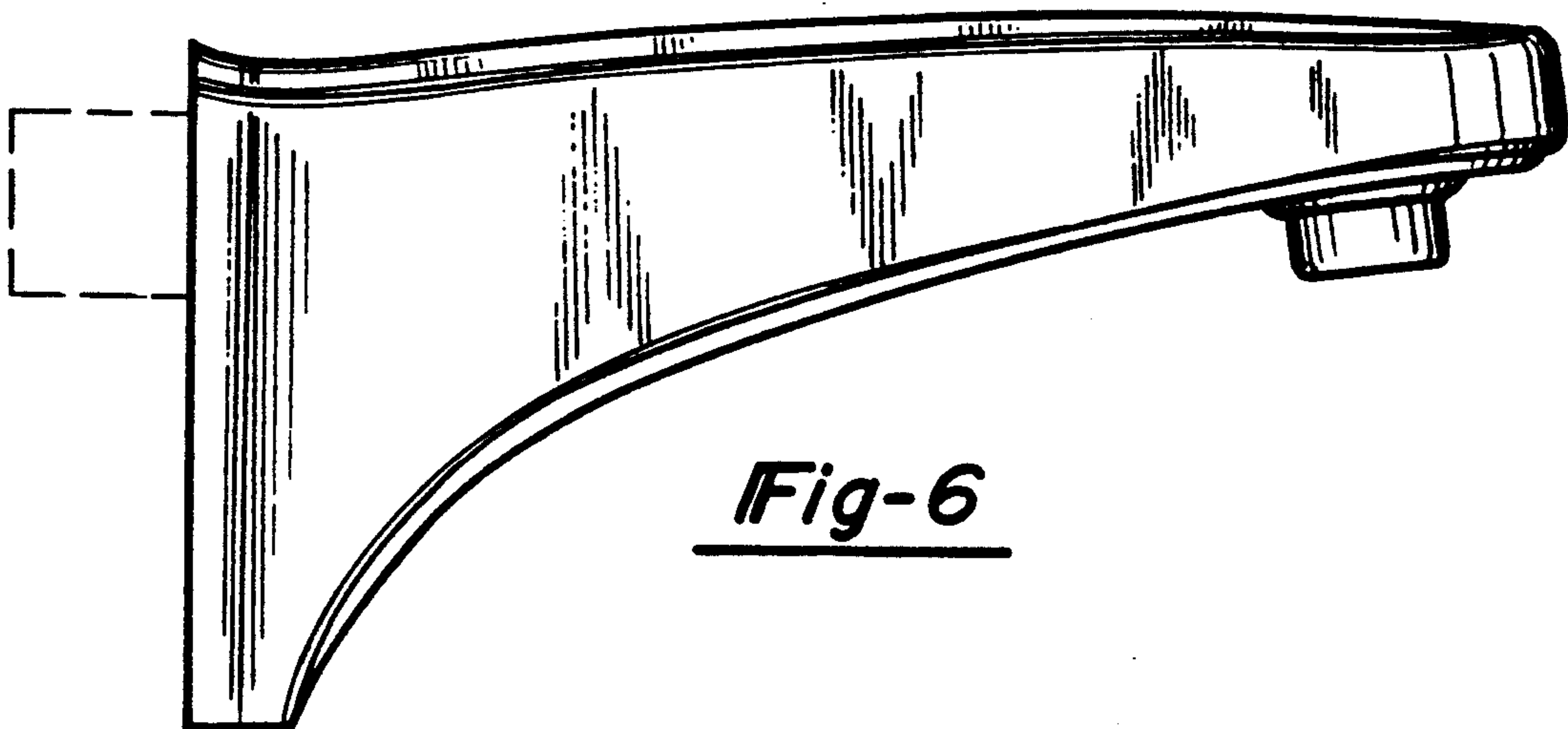


Fig-6