



US00D339411S

United States Patent [19] Gottwald

[11] Patent Number: **Des. 339,411**
[45] Date of Patent: **** Sep. 14, 1993**

[54] FAUCET
[75] Inventor: **Adolf Gottwald**, Iserlohn, Fed. Rep. of Germany
[73] Assignee: **Friedrich Grohe Aktiengesellschaft**, Hemer, Fed. Rep. of Germany
[**] Term: **14 Years**
[21] Appl. No.: **717,105**
[22] Filed: **Jun. 18, 1991**

D. 281,097 10/1985 Arnold et al. D23/243 X
D. 291,233 8/1987 Jans D23/242
D. 294,631 3/1988 Bourbon D23/241
D. 312,300 11/1990 Joerger D23/241
D. 313,837 1/1991 Heieck D23/241
4,573,493 3/1986 Hammarstedt 137/606 X
4,592,388 6/1986 Wilcox 137/801 X
4,607,659 8/1986 Pole 137/606 X
4,889,165 12/1989 Newcombe et al. 137/606 X

[30] Foreign Application Priority Data
Dec. 21, 1990 [DE] Fed. Rep. of Germany 9008428
[52] U.S. Cl. **D23/241**
[58] Field of Search **D23/238-243,**
D23/250-254; D8/300, 307-312; 4/676, 677,
678; 16/110, 118, 119, 121, 125; 137/606, 801

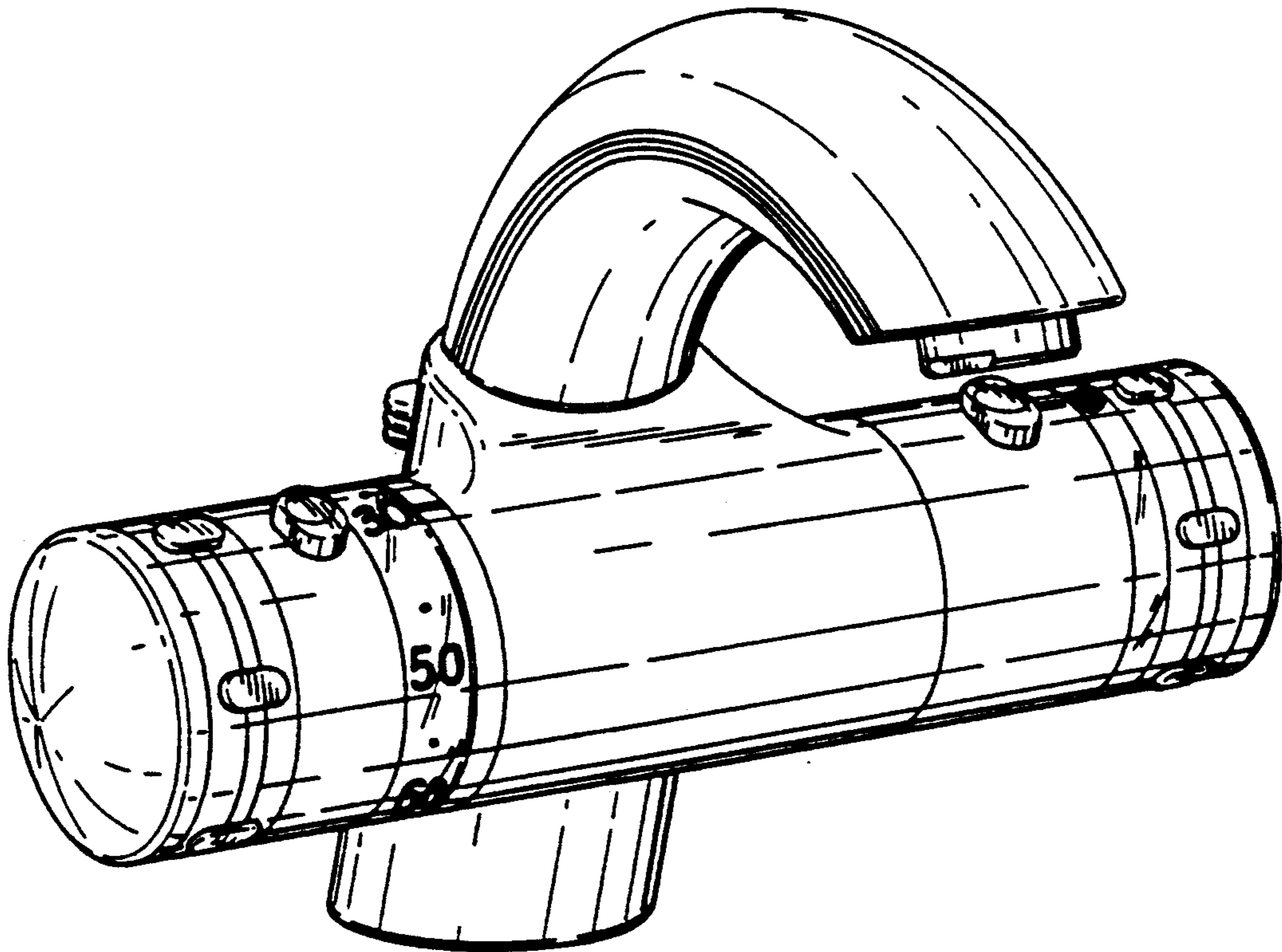
Primary Examiner—James R. Largen
Attorney, Agent, or Firm—Herbert Dubno

[56] References Cited
U.S. PATENT DOCUMENTS
D. 266,348 9/1982 Piesco D23/252
D. 268,513 4/1983 Thompson D8/312 X

[57] CLAIM
The ornamental design for a faucet, as shown.

DESCRIPTION

FIG. 1 is a front perspective view of a faucet showing my new design;
FIG. 2 is a left-side elevational view thereof;
FIG. 3 is a front elevational view thereof;
FIG. 4 is a right-side elevational view thereof;
FIG. 5 is a rear elevational view thereof;
FIG. 6 is a bottom plan view thereof; and,
FIG. 7 is a top plan view thereof.



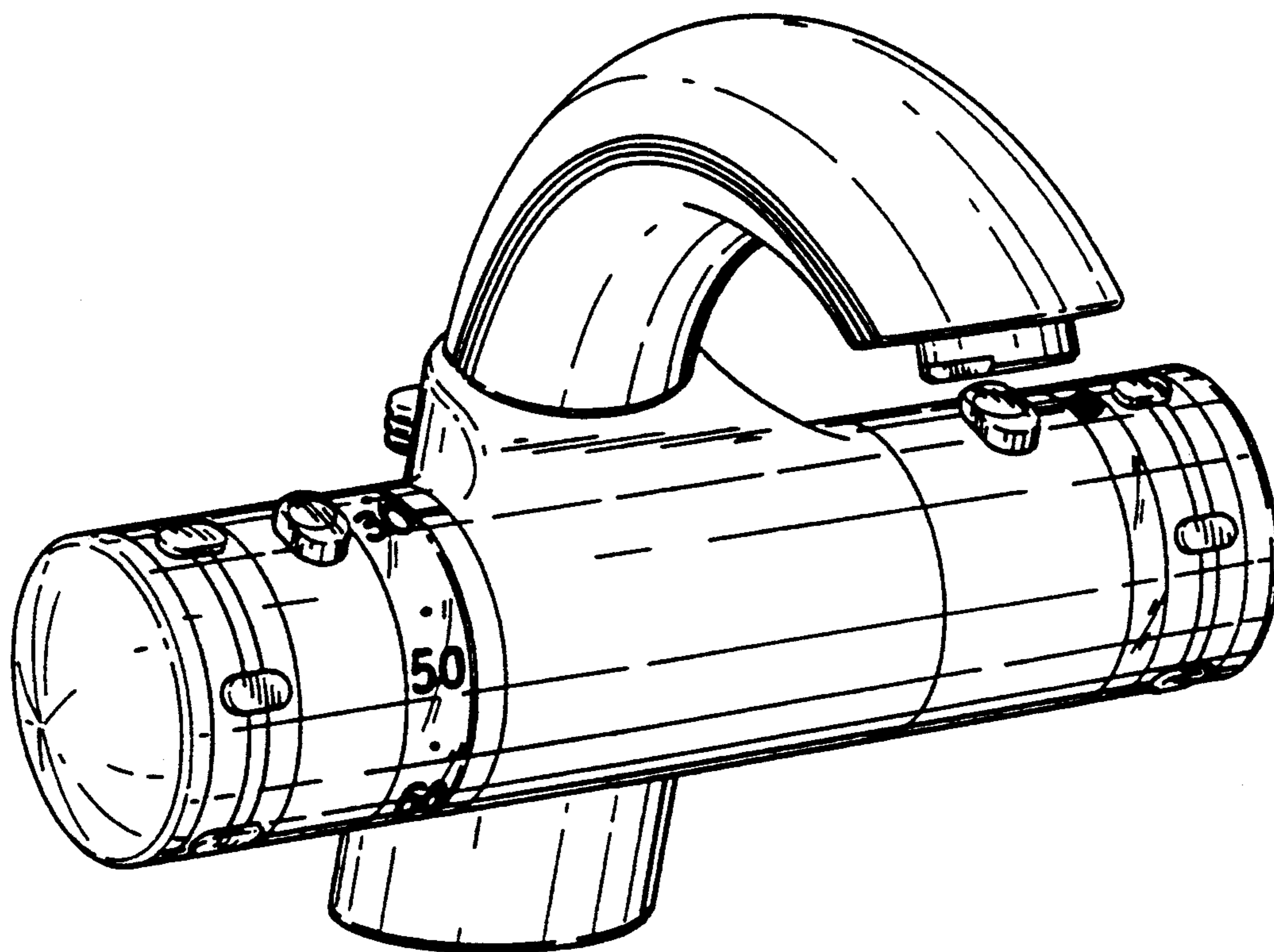


FIG. 1

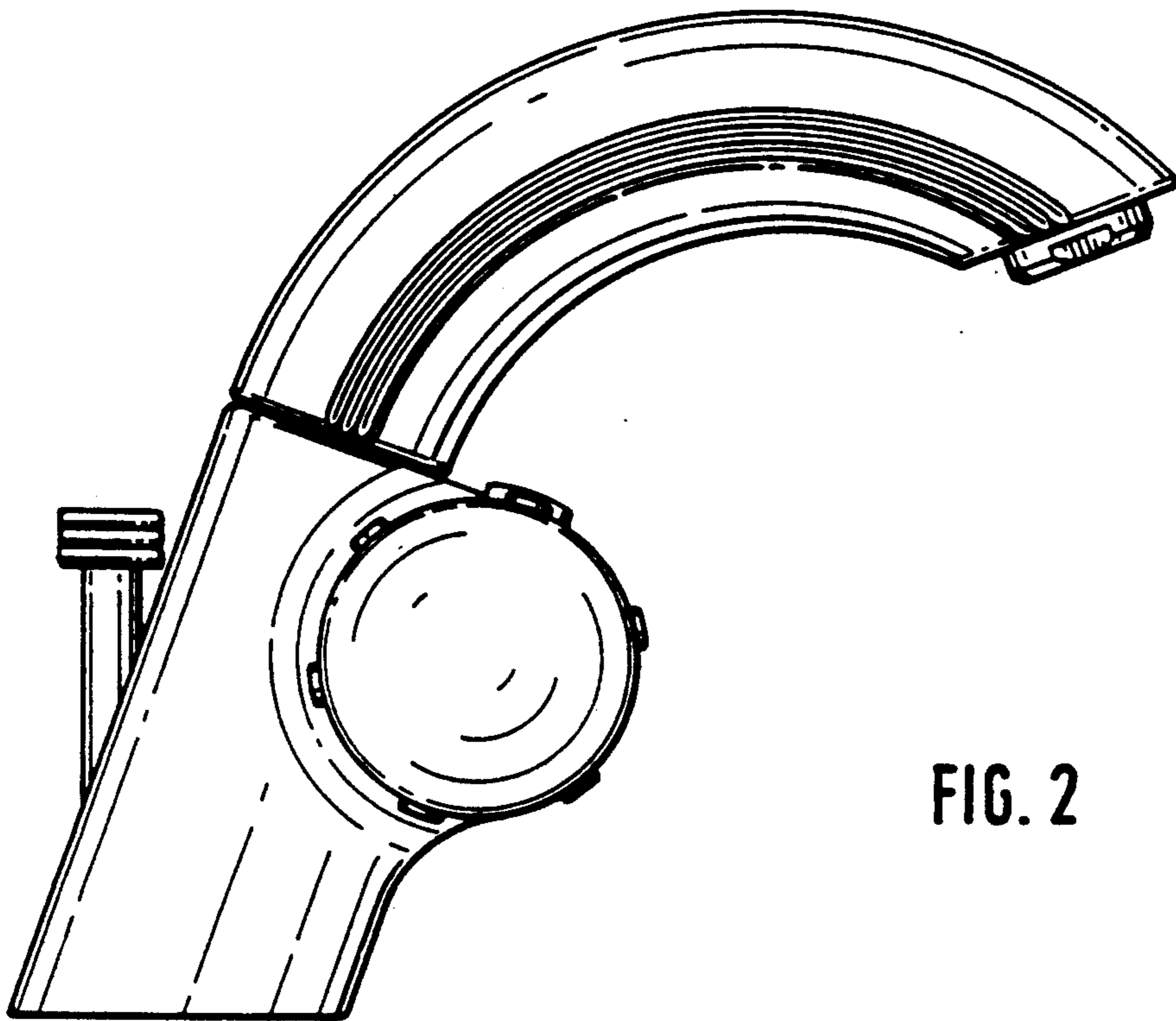


FIG. 2

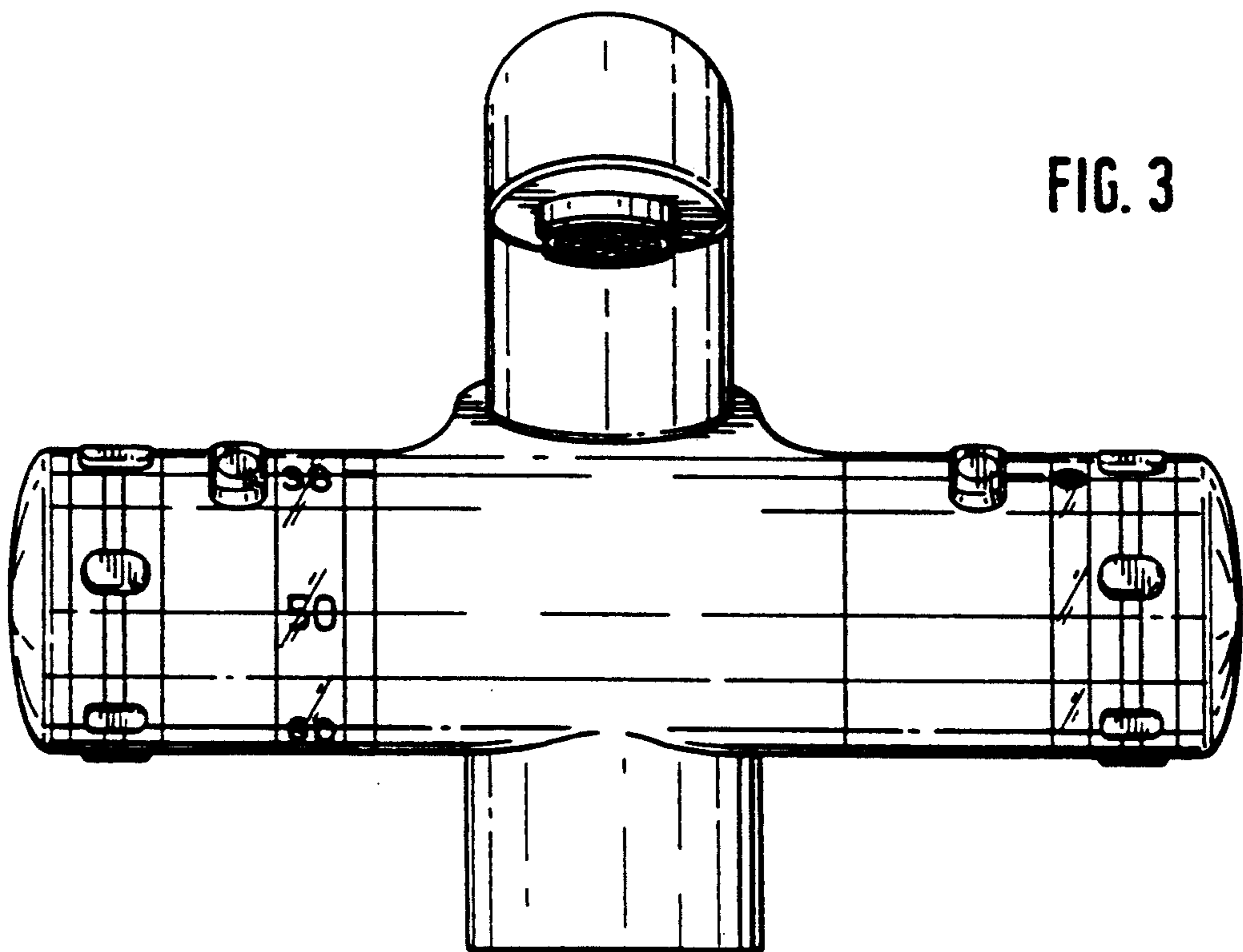


FIG. 3

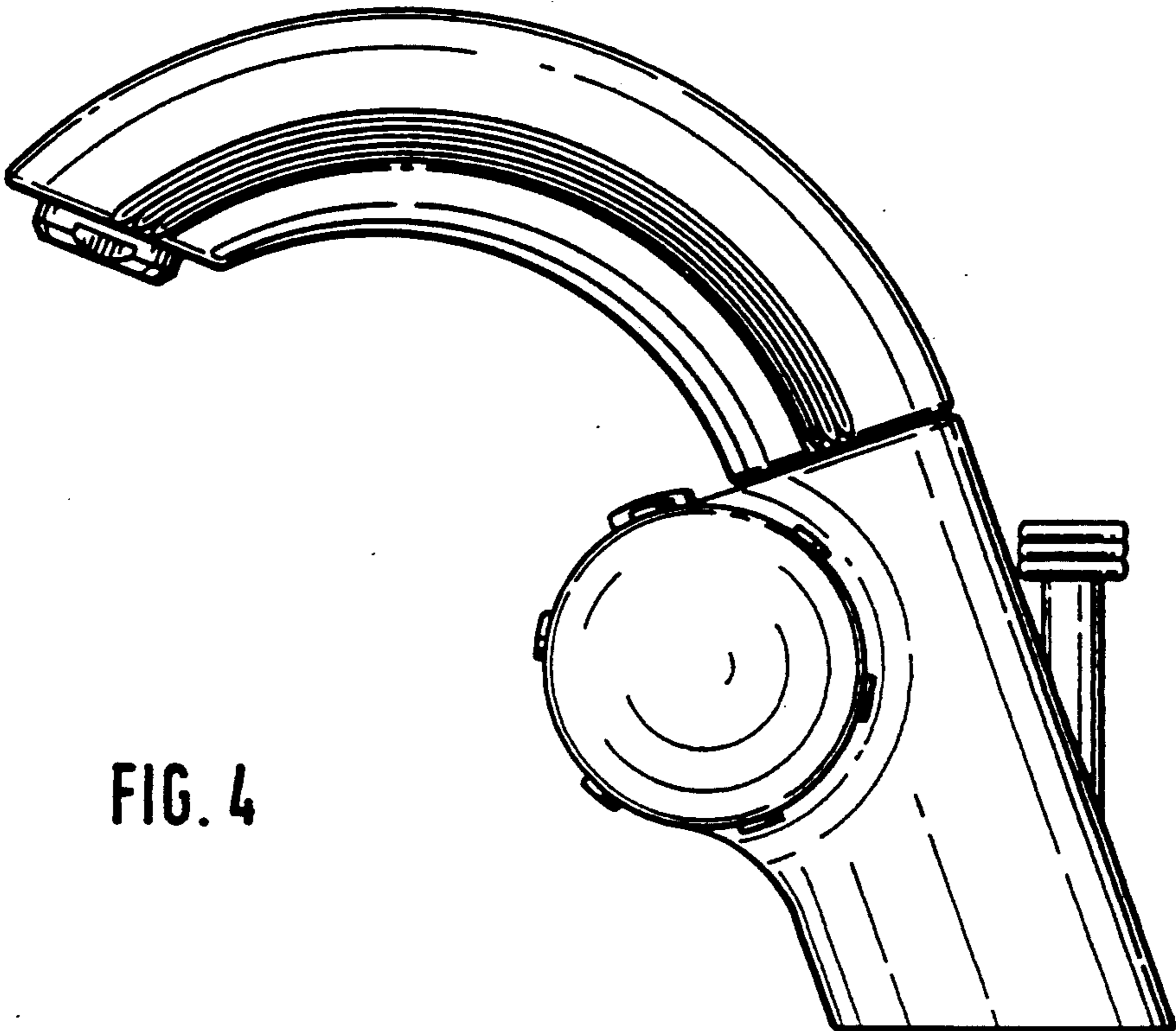


FIG. 4

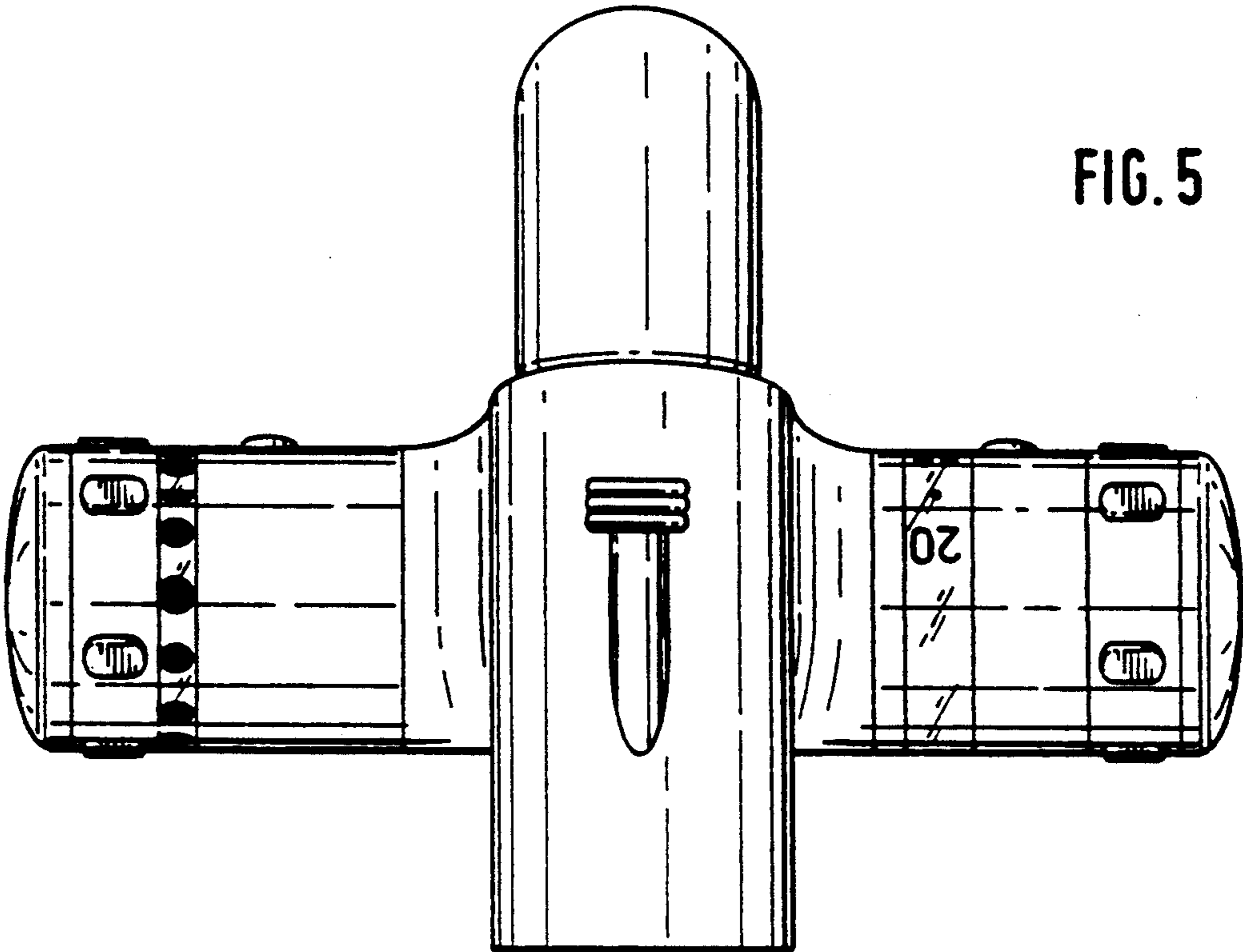


FIG. 5

