



US00D339406S

United States Patent [19]

[11] Patent Number: **Des. 339,406**

Rodriguez

[45] Date of Patent: **** Sep. 14, 1993**

[54] **SHOWERHEAD**

[76] Inventor: **Armando Rodriguez**, 1000 Jones St., Mission, Tex. 78572

[**] Term: **14 Years**

[21] Appl. No.: **500,858**

[22] Filed: **Mar. 29, 1990**

[52] U.S. Cl. **D23/213**

[58] Field of Search **D23/213, 223-229; 4/191-192, 567-570, 599-603, 596, 615; 239/276, 280-283, 288.5, 310, 443-449, 456-460, 525, 550-552, 556-559, 567, 581.1, 568-569**

D. 313,833 1/1991 Presman D23/213
3,655,135 4/1972 Altman et al. 239/310
4,588,130 5/1986 Trenary et al. 239/447 X

Primary Examiner—Wallace R. Burke

Assistant Examiner—M. H. Tung

Attorney, Agent, or Firm—Leon Gilden

[57] **CLAIM**

The ornamental design for a showerhead, as shown and described.

DESCRIPTION

FIG. 1 is a front elevational view of the showerhead showing my new design;
FIG. 2 is a rear elevational view thereof;
FIG. 3 is a left side elevational view thereof;
FIG. 4 is a right side elevational view thereof;
FIG. 5 is a top plan view thereof;
FIG. 6 is a bottom plan view thereof; and,
FIG. 7 is a bottom perspective view thereof.

[56] **References Cited**

U.S. PATENT DOCUMENTS

D. 274,168 6/1984 Whedon et al. D23/213
D. 291,725 9/1987 Huckenbeck et al. D23/213

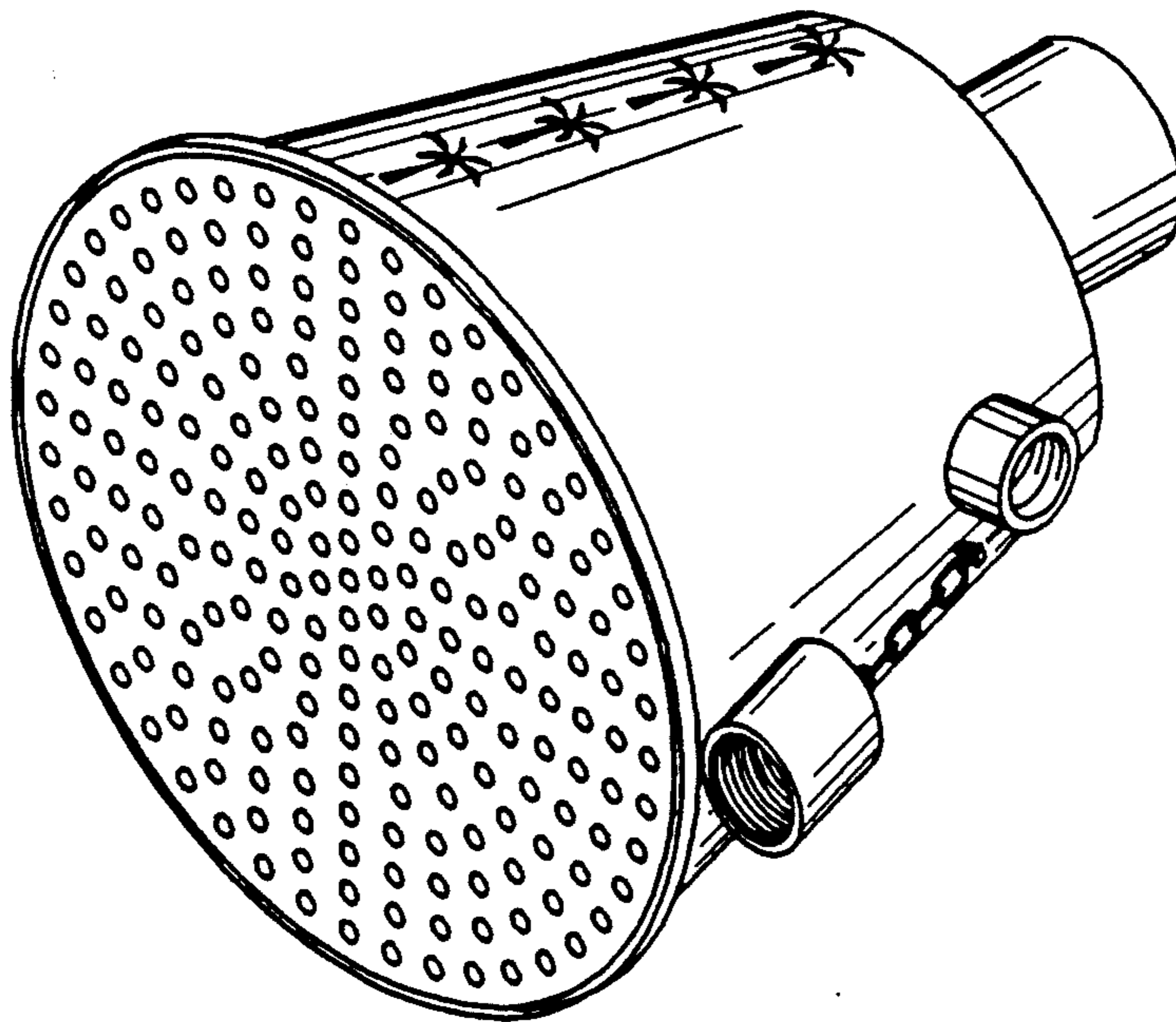


FIG. 1

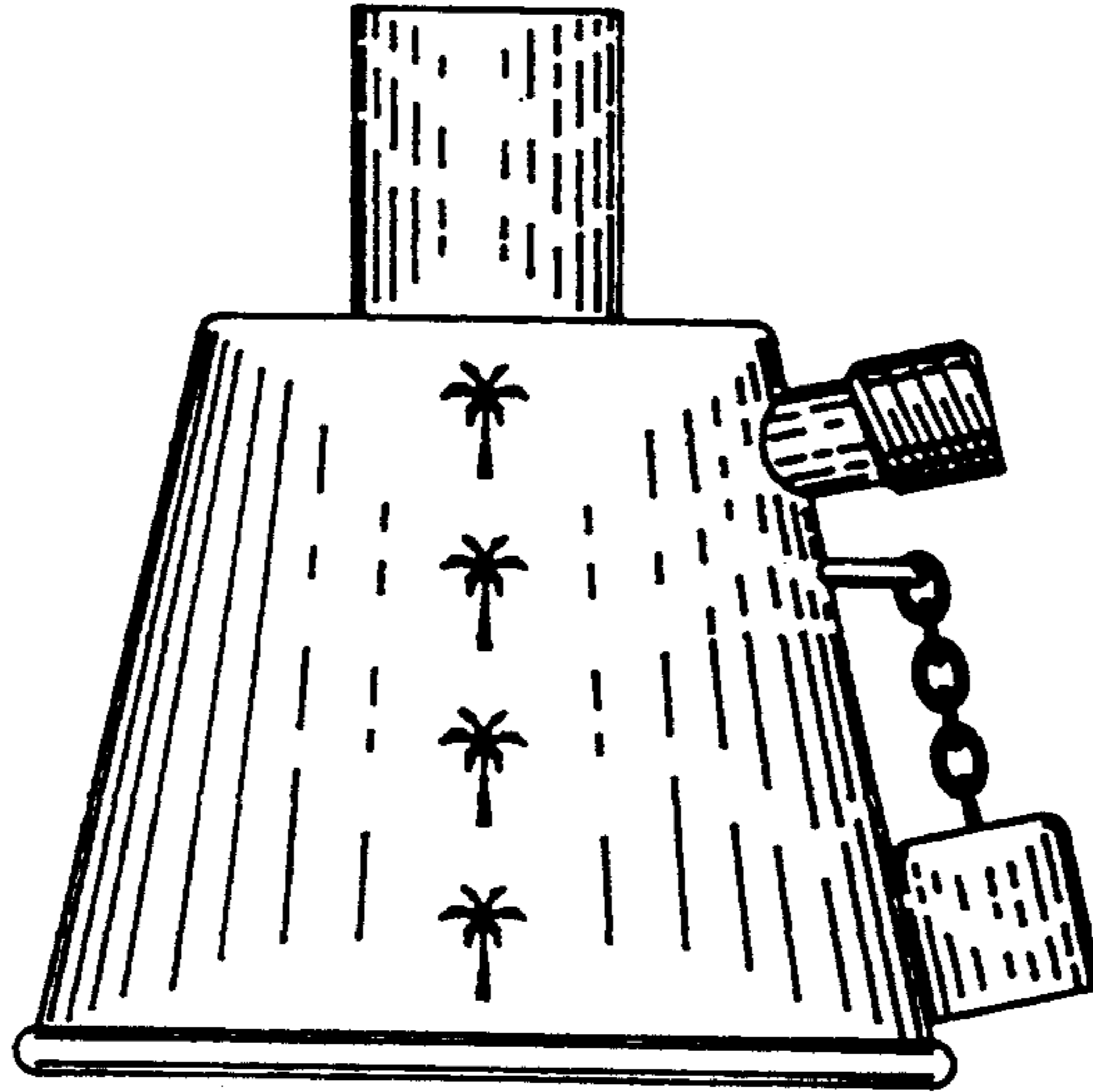


FIG. 2

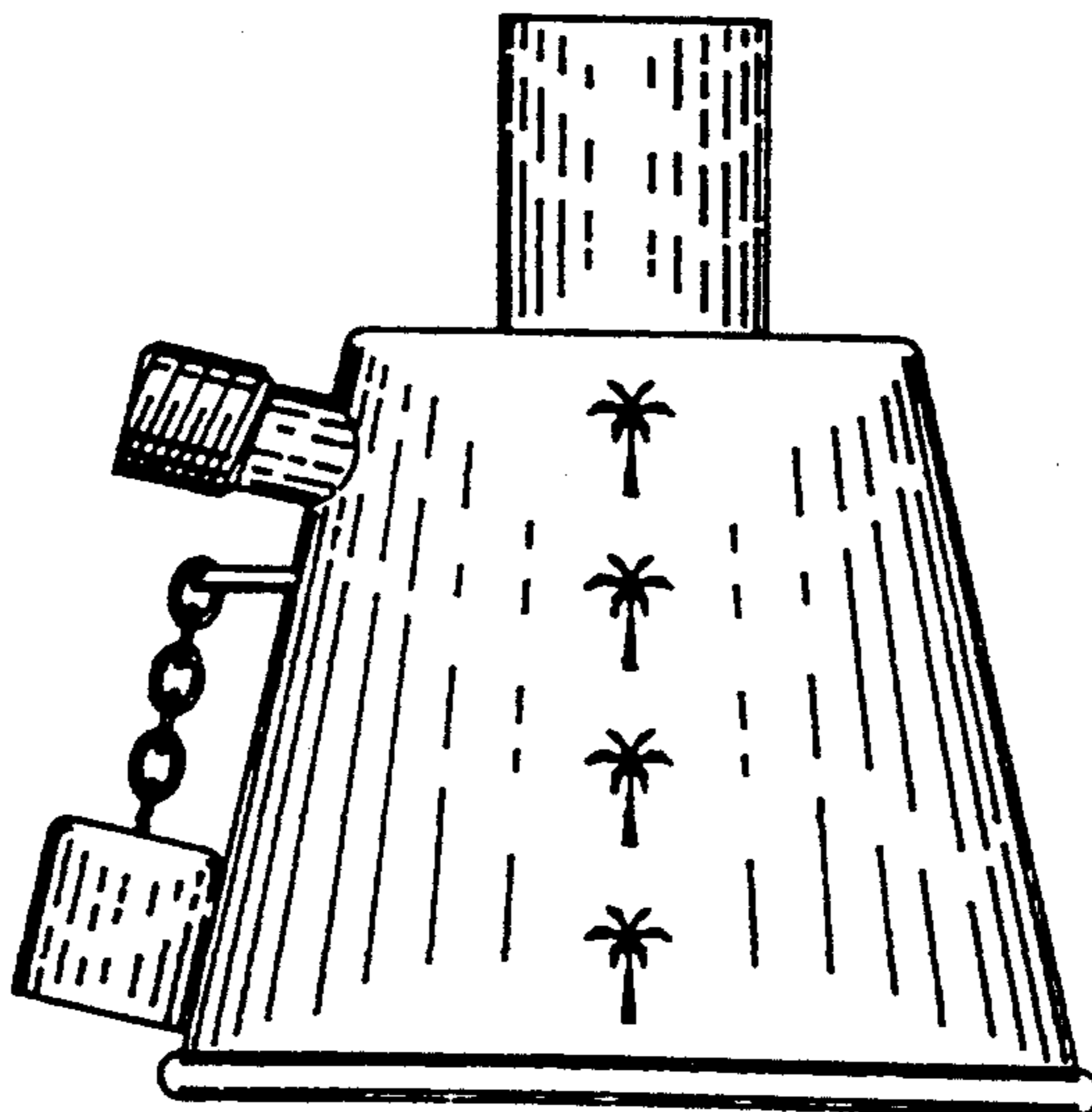


FIG. 3

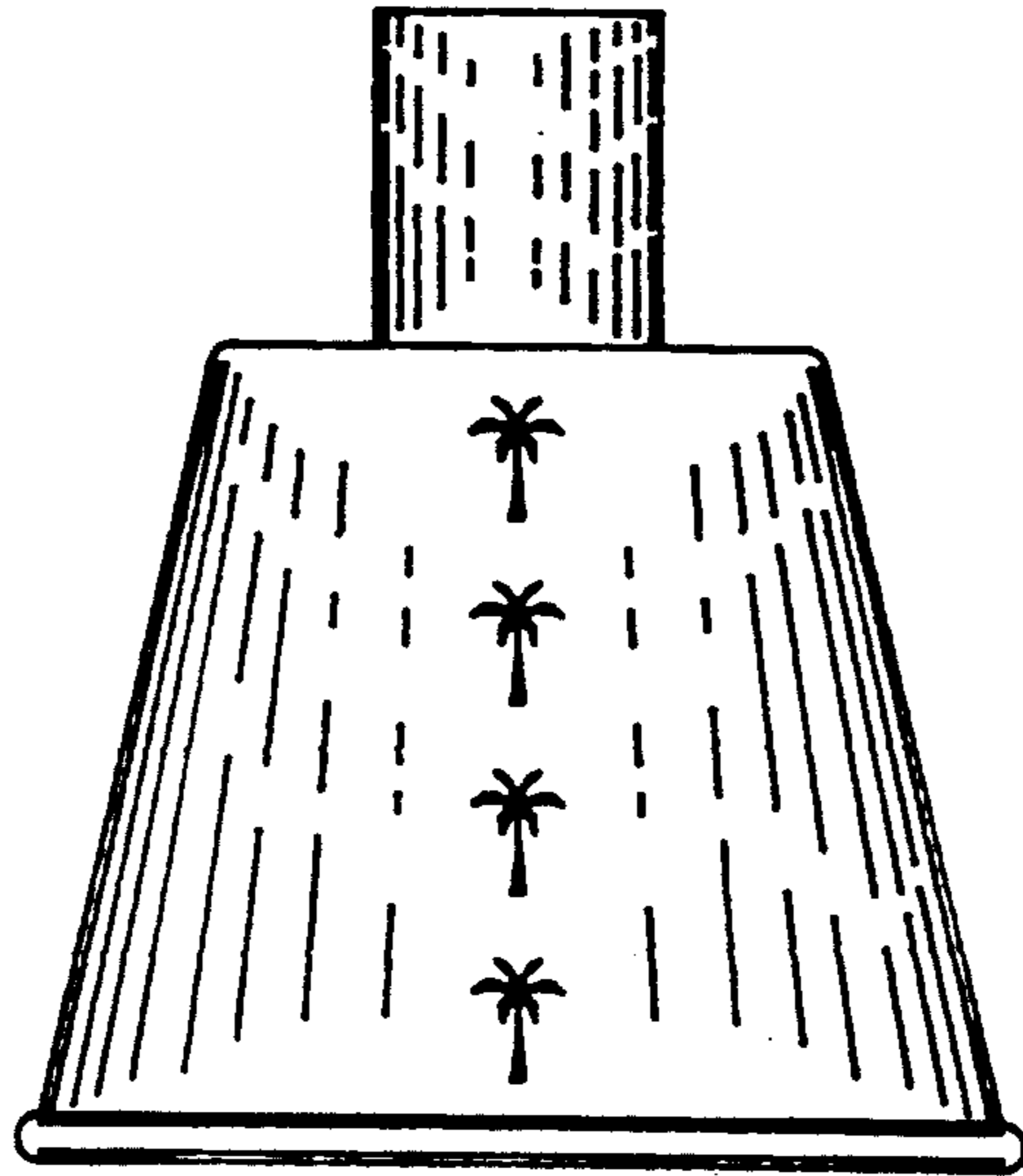


FIG. 4

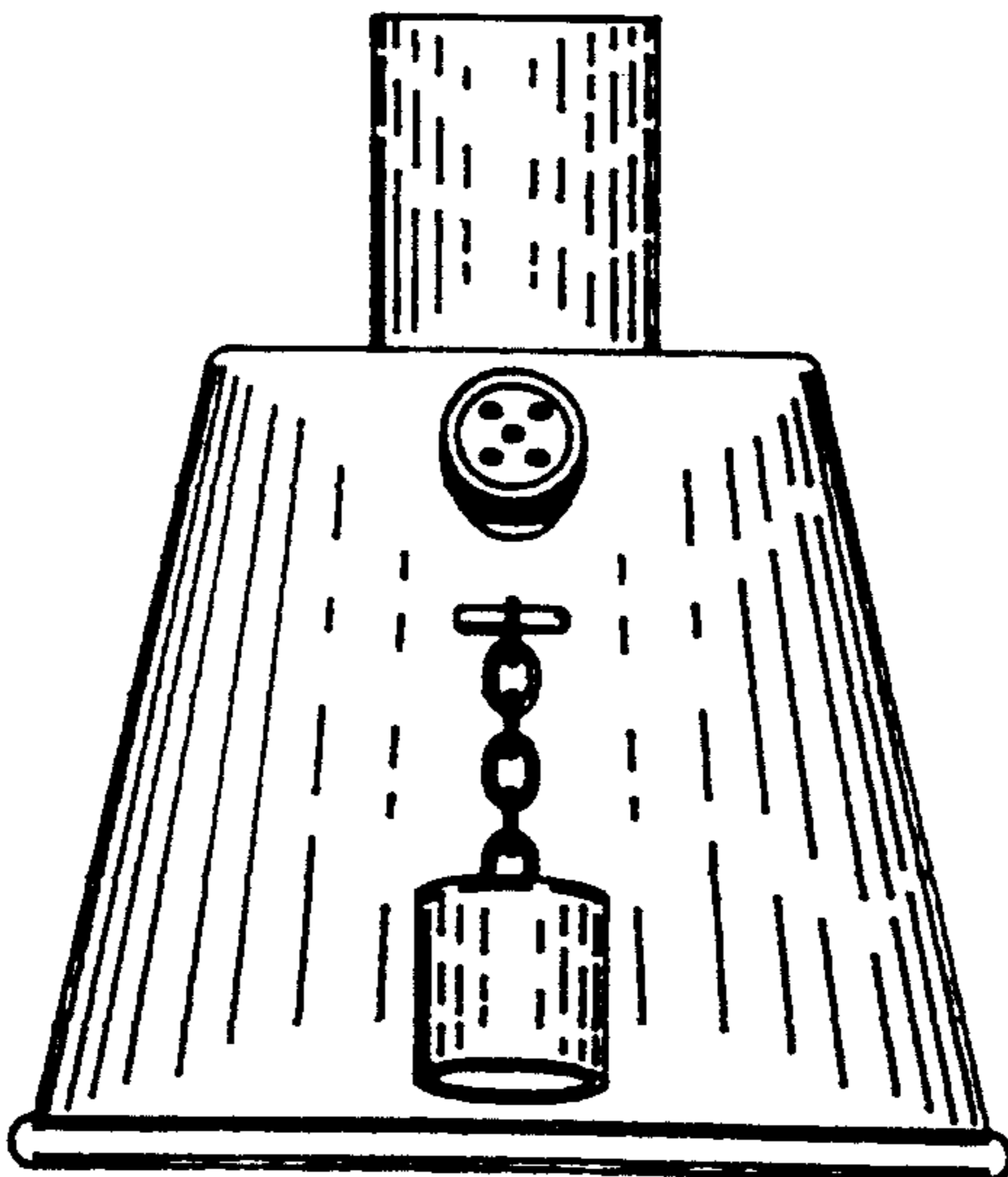


FIG. 5

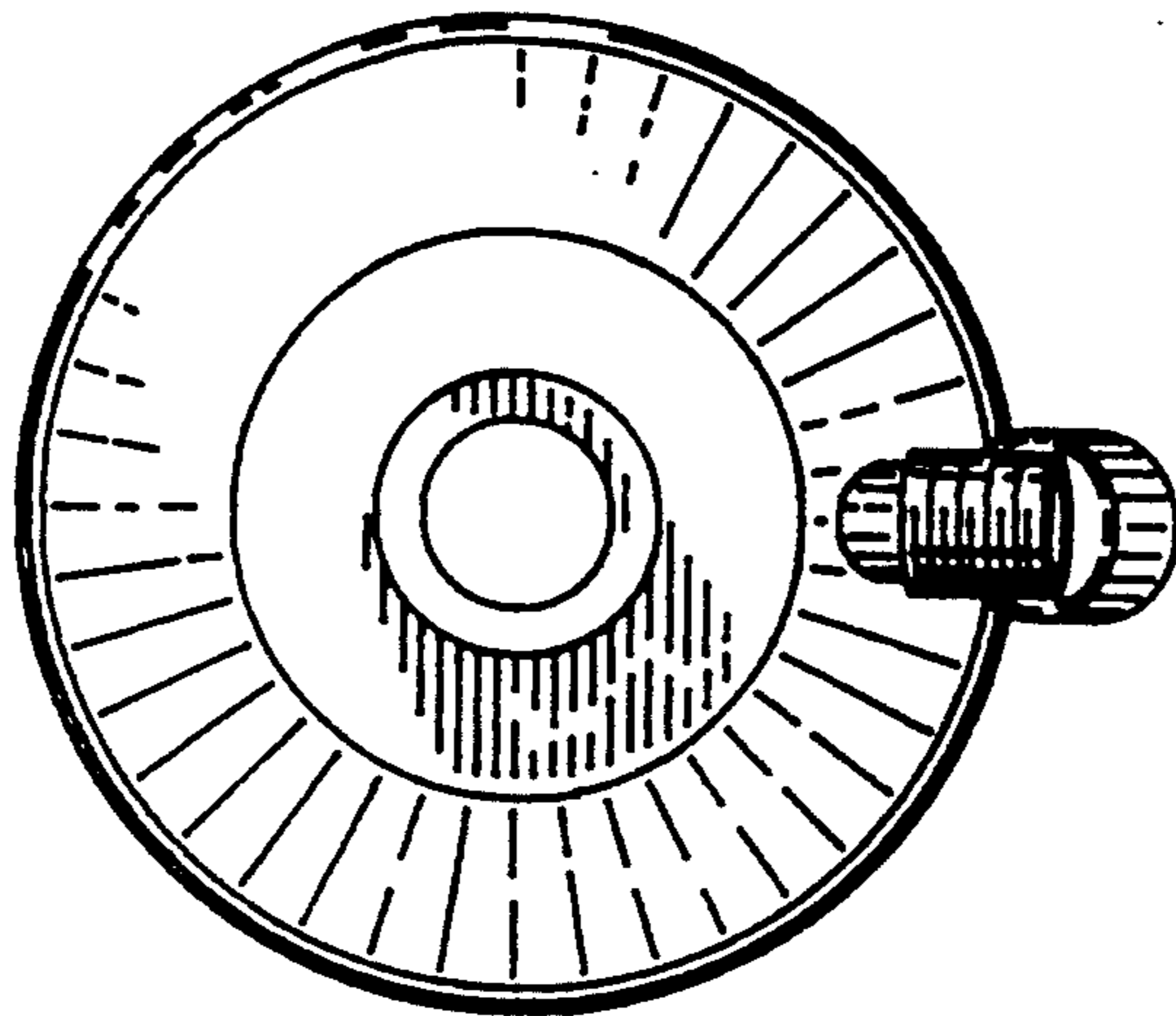


FIG. 6

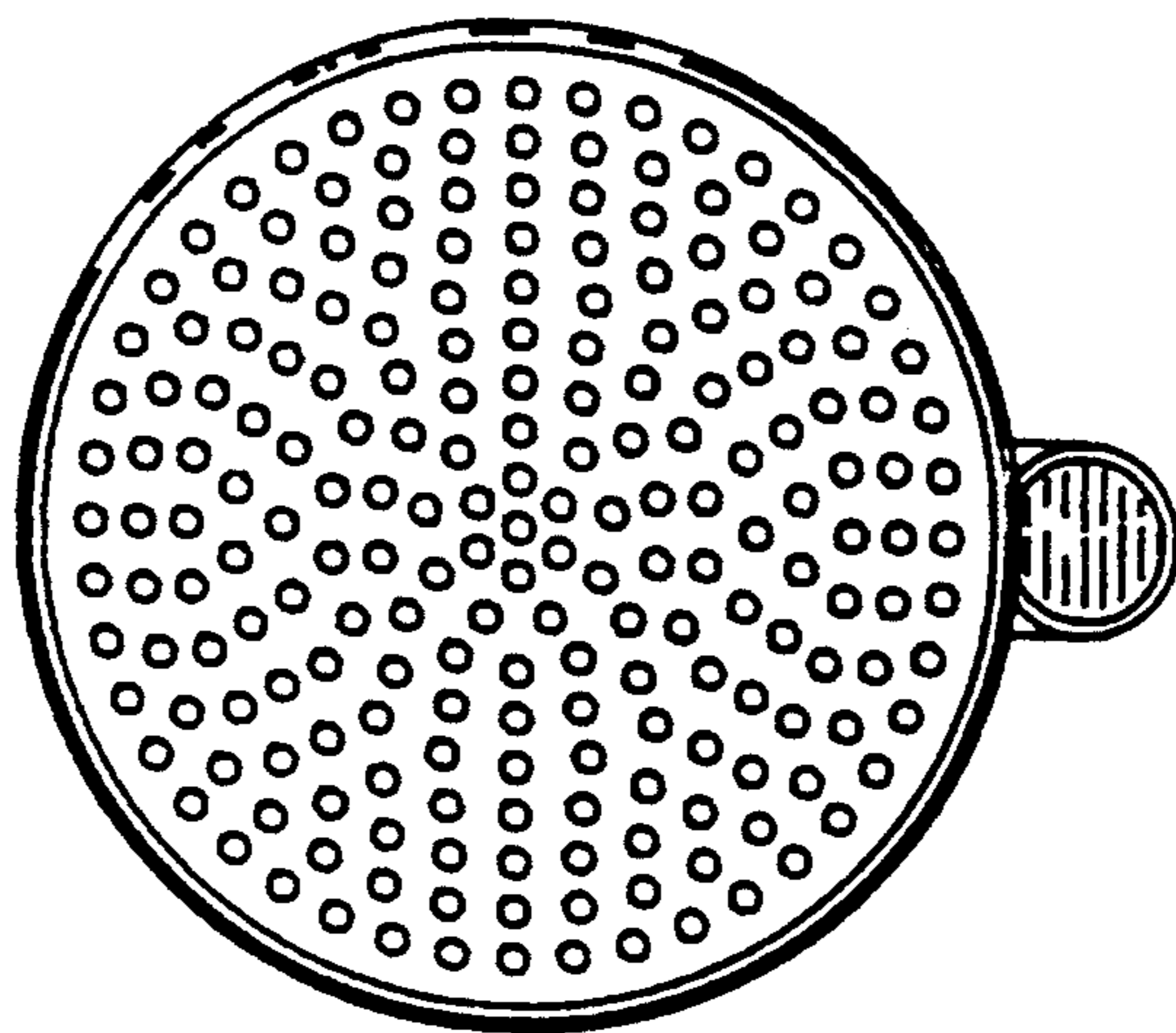


FIG. 7

