



US00D339398S

United States Patent [19]

[11] Patent Number: **Des. 339,398**

Gauer

[45] Date of Patent: **** Sep. 14, 1993**

- [54] SNOW SKI
- [75] Inventor: **Richard Gauer, Vernon, N.J.**
- [73] Assignee: **Gauer Sports Corporation, N.J.**
- [**] Term: **14 Years**
- [21] Appl. No.: **814,663**
- [22] Filed: **Dec. 30, 1991**
- [52] U.S. Cl. **D21/229**
- [58] Field of Search **D21/228, 229, 230;**
280/601, 609, 610, 607

- 4,487,426 12/1984 Nishizawa 280/609
- 4,705,291 11/1987 Gauer 280/609

FOREIGN PATENT DOCUMENTS

- 1060756 7/1959 Fed. Rep. of Germany .
- 2003846 8/1971 Fed. Rep. of Germany .
- 2556650 6/1977 Fed. Rep. of Germany .
- 272297 12/1950 Switzerland .

Primary Examiner—Kay H. Chin
Attorney, Agent, or Firm—Anthony J. Casella; Gerald E. Hespos

[57] CLAIM

The ornamental design for a snow ski, as shown and described.

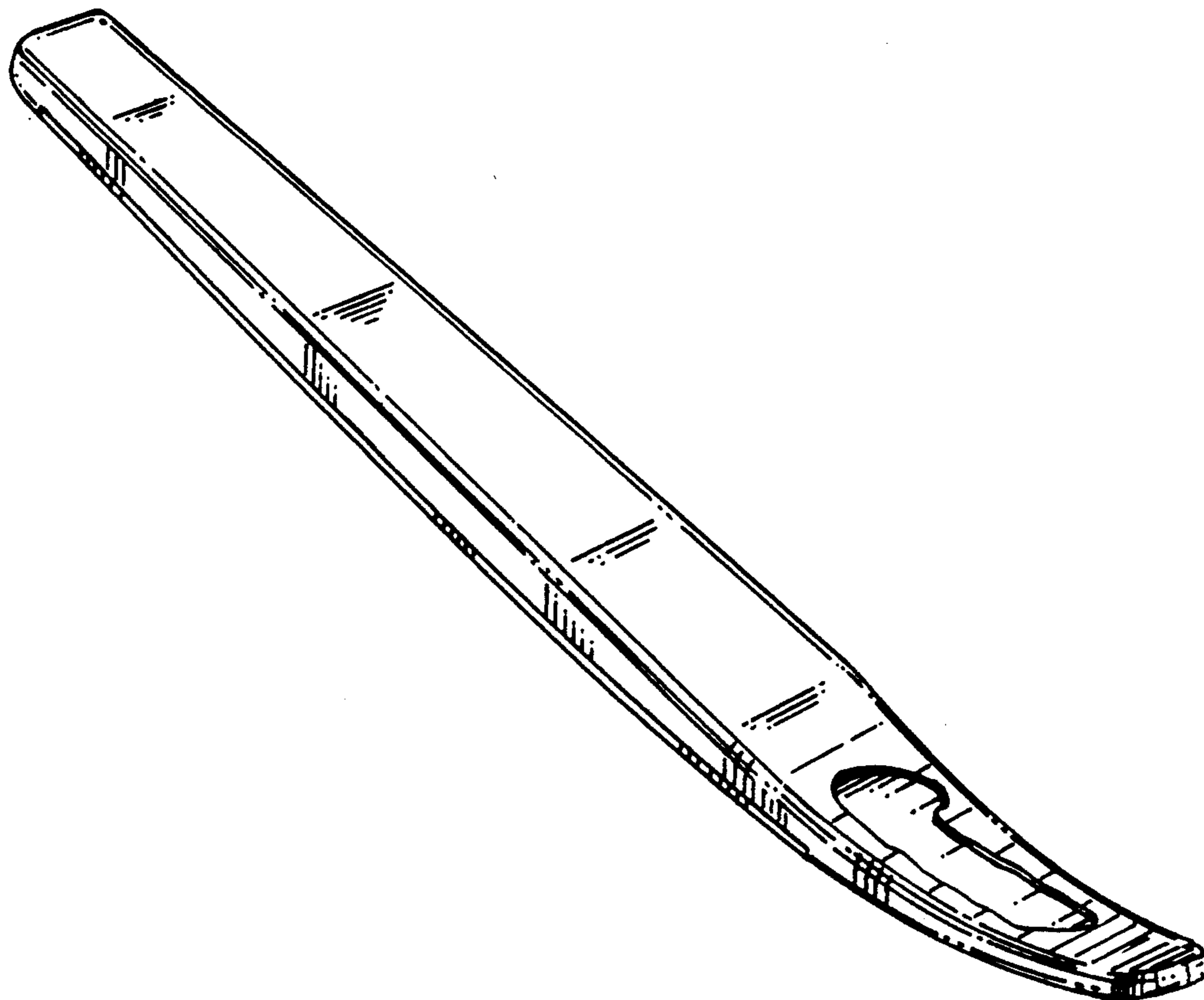
[56] References Cited

U.S. PATENT DOCUMENTS

- | | | | |
|------------|---------|----------------------|---------|
| D. 308,239 | 5/1990 | Olivier | D21/229 |
| D. 308,561 | 6/1990 | Olivier | D21/229 |
| D. 314,601 | 2/1991 | Floreani | D21/229 |
| 1,428,676 | 9/1922 | Barlow . | |
| 1,502,951 | 7/1924 | Halverson . | |
| 1,512,327 | 7/1923 | Young, Jr. . | |
| 2,469,798 | 11/1944 | Trachslin . | |
| 3,056,148 | 7/1959 | Abbott et al. . | |
| 3,134,992 | 1/1963 | Tyll . | |
| 3,933,360 | 1/1976 | Arai . | |
| 4,083,577 | 4/1978 | Ford | 280/609 |
| 4,085,947 | 4/1978 | Sarver | 280/607 |
| 4,343,485 | 8/1982 | Johnston et al. | 280/609 |
| 4,377,297 | 3/1983 | Stauffer | 280/609 |

DESCRIPTION

FIG. 1 is a perspective view of my design of a snow ski; FIG. 2 is a front elevational view of my design; FIG. 3 is a rear elevational view of my design; FIG. 4 is a top plan view of my design; FIG. 5 is a bottom plan view of my design; FIG. 6 is a side elevational view of my design as viewed from the left side in FIGS. 1 and 2, with the right side thereof being identical; and, FIG. 7 is a cross sectional view taken along line 7—7 in FIG. 4, and is provided to more clearly show the rounded shape of the snow ski where the top meets the sides.



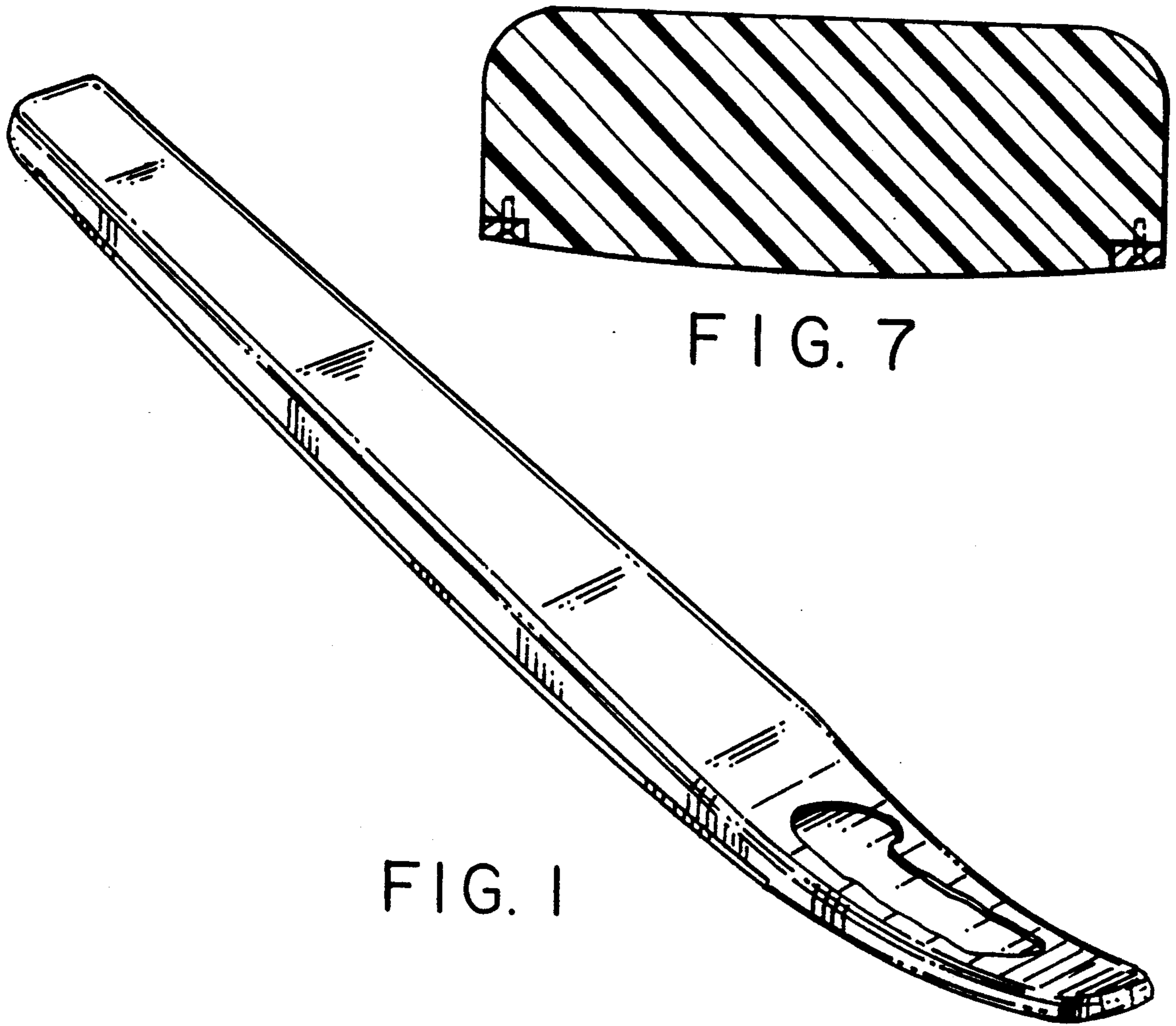


FIG. 1

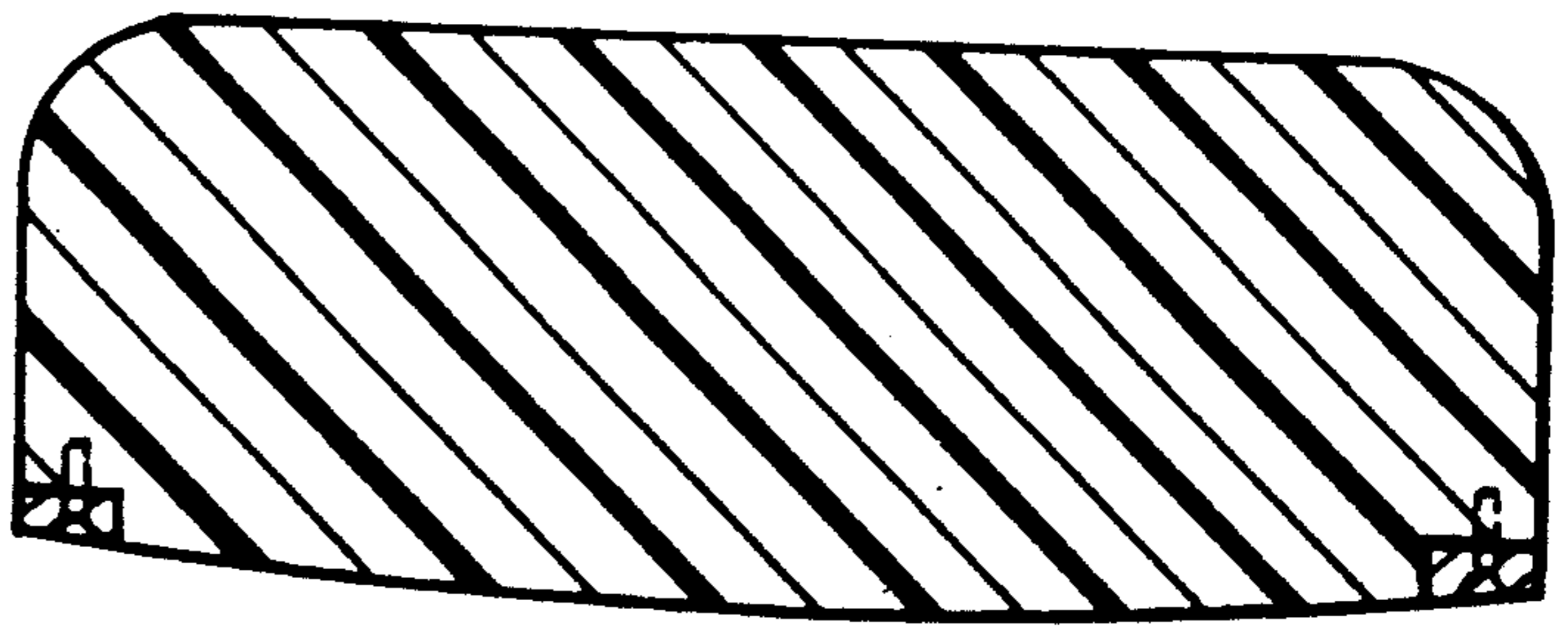


FIG. 7

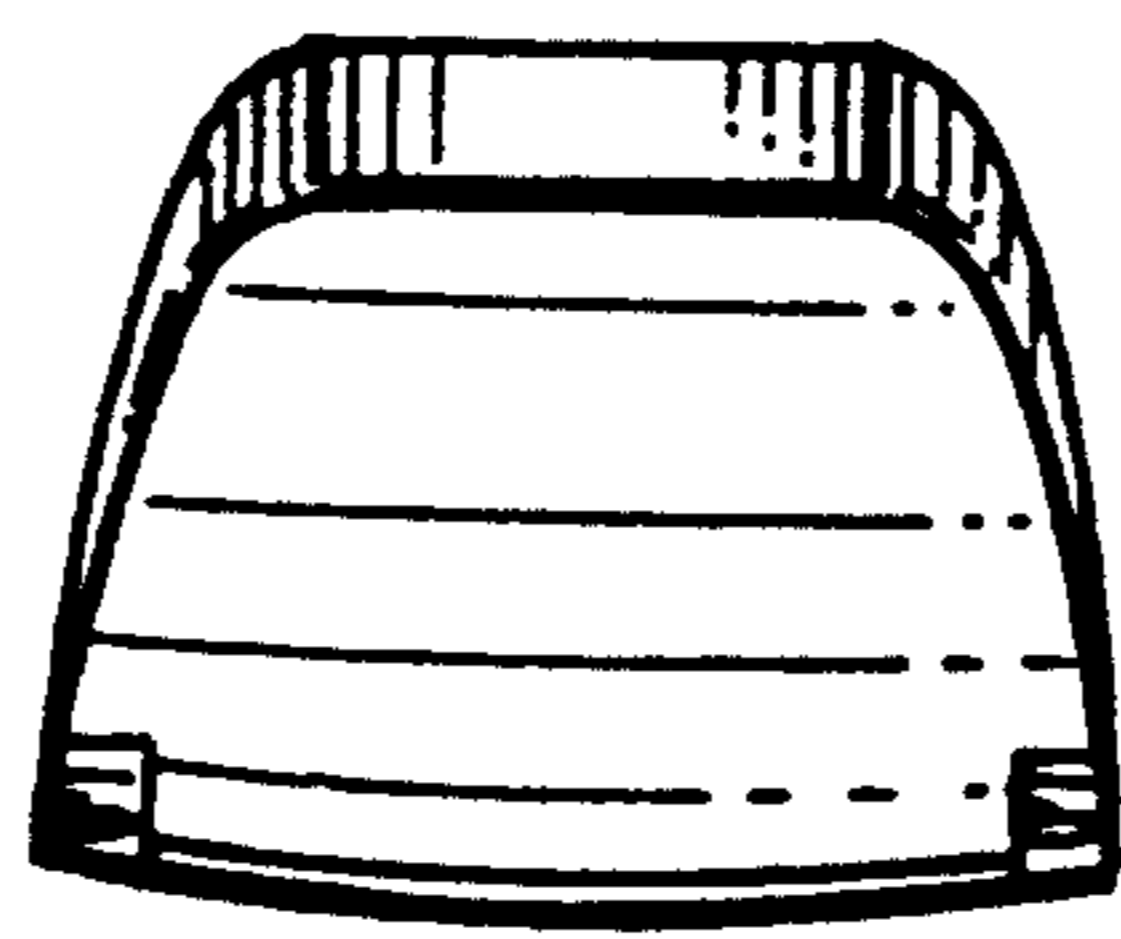


FIG. 2

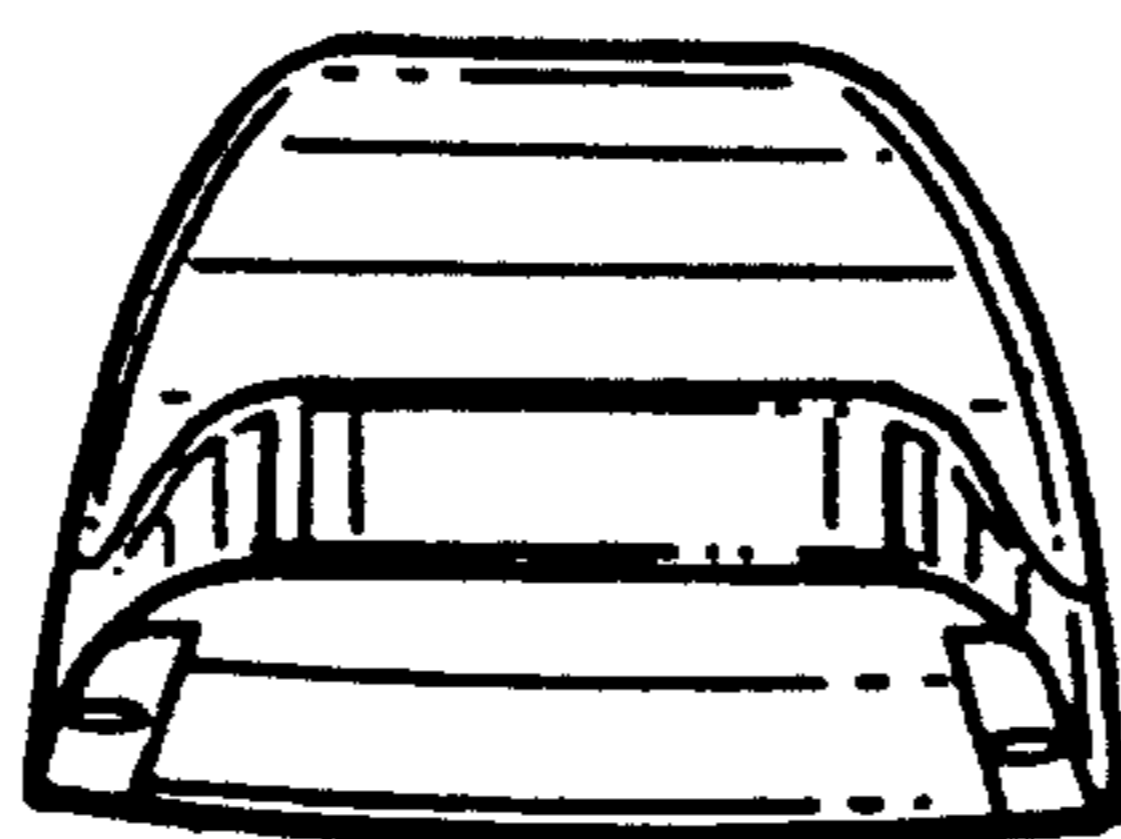


FIG. 3

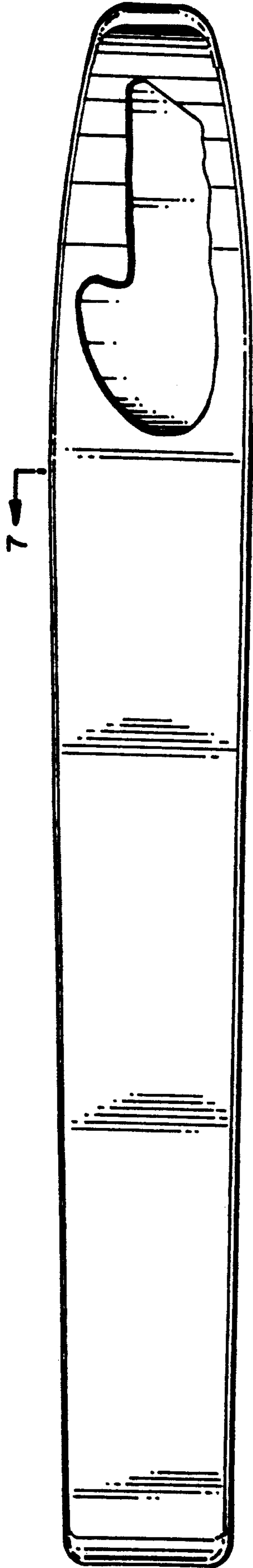


FIG. 4

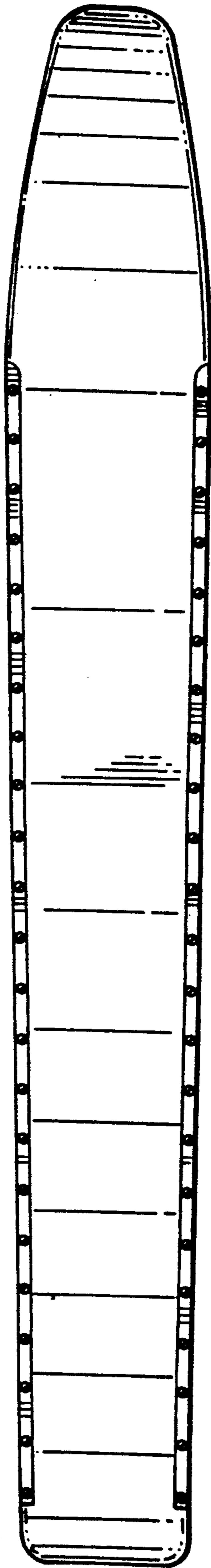


FIG. 5



FIG. 6