



US00D339393S

United States Patent [19]

[11] Patent Number: **Des. 339,393**

Allen

[45] Date of Patent: **** Sep. 14, 1993**

[54] BASEBALL BATTING PRACTICE APPARATUS

[76] Inventor: **Joe W. Allen**, 1216 Idylberry Rd., San Rafael, Calif. 94903

[**] Term: **14 Years**

[21] Appl. No.: **766,151**

[22] Filed: **Sep. 27, 1991**

[52] U.S. Cl. **D21/199**

[58] Field of Search **D21/199, 209; 273/26 A, 273/26 R**

[56] References Cited

U.S. PATENT DOCUMENTS

D. 235,462	6/1975	Pennington	D21/209
4,783,070	11/1988	Bauer et al.	273/26 R X
5,029,852	7/1991	Gilfillan	273/26 R

Primary Examiner—Terry A. Pfeffer
Attorney, Agent, or Firm—Larry D. Johnson

[57] CLAIM

The ornamental design for a baseball batting practice apparatus, as shown and described.

DESCRIPTION

FIG. 1 is a perspective view of a baseball batting practice apparatus showing my new design, with a ball player shown in phantom lines for environmental purpose;

FIG. 2 is a left side elevational view thereof;

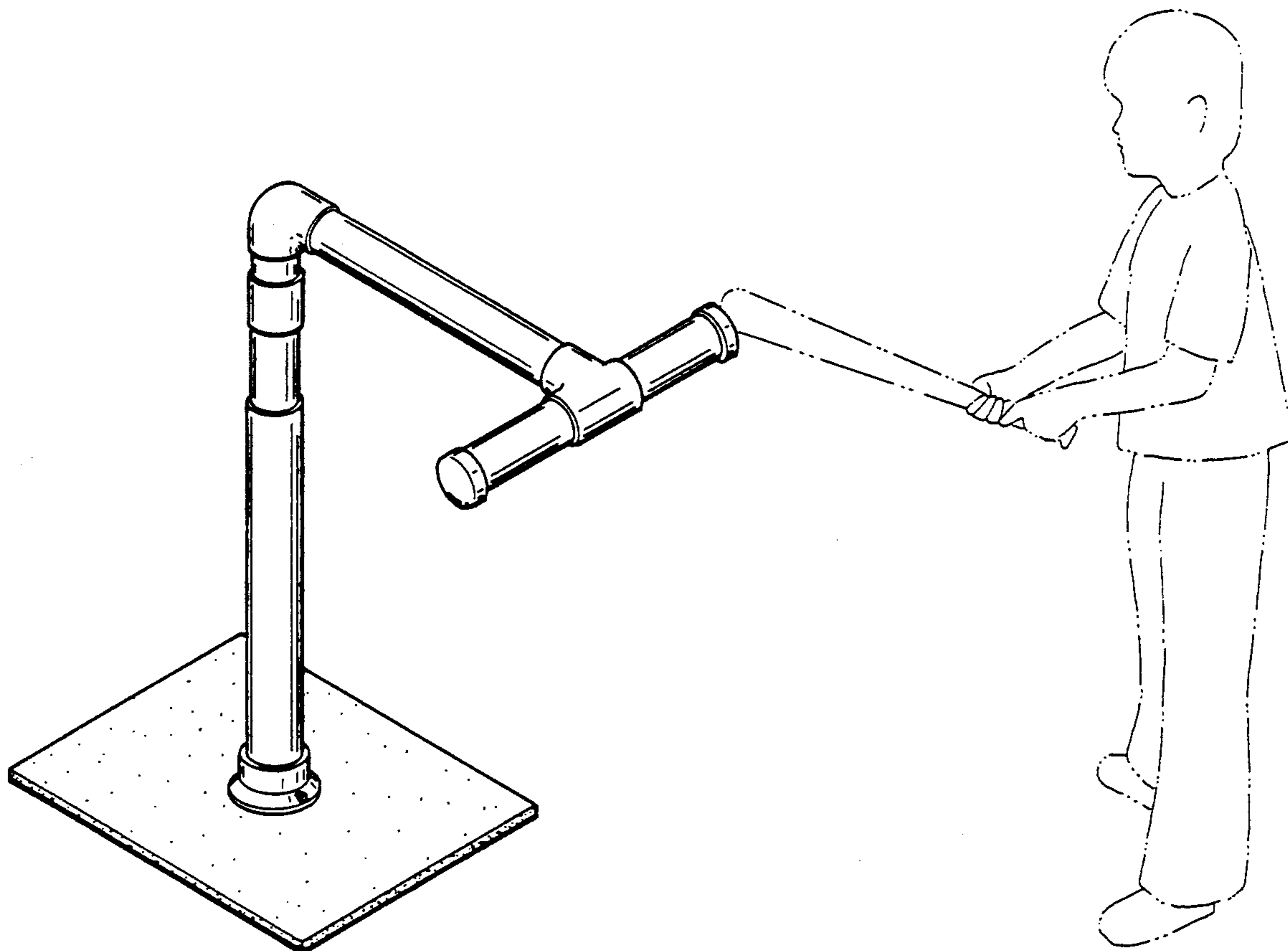
FIG. 3 is a front elevational view thereof;

FIG. 4 is a right side elevational view thereof;

FIG. 5 is a rear elevational view thereof;

FIG. 6 is a top plan view thereof; and,

FIG. 7 is a bottom plan view thereof.



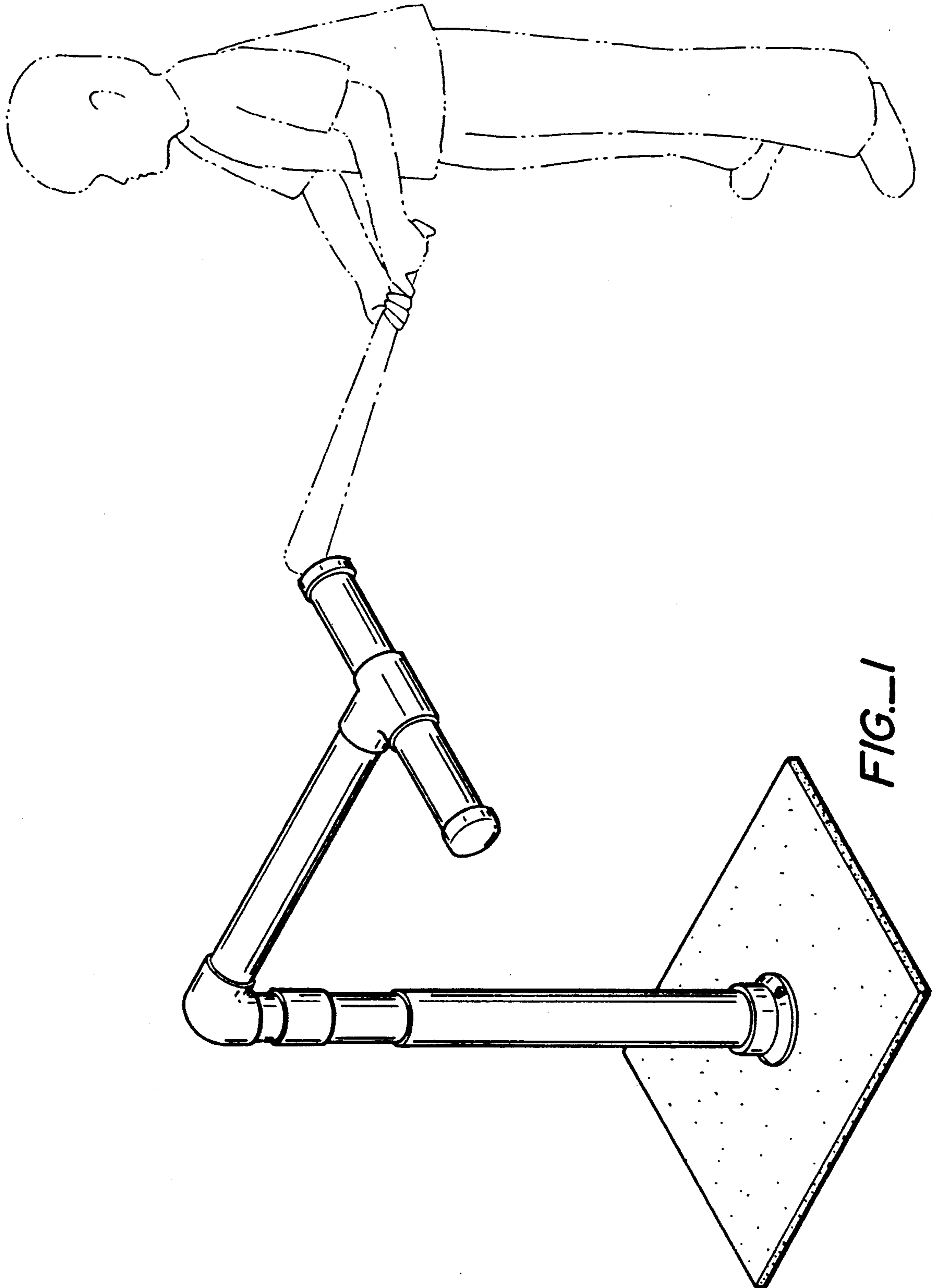


FIG. 1

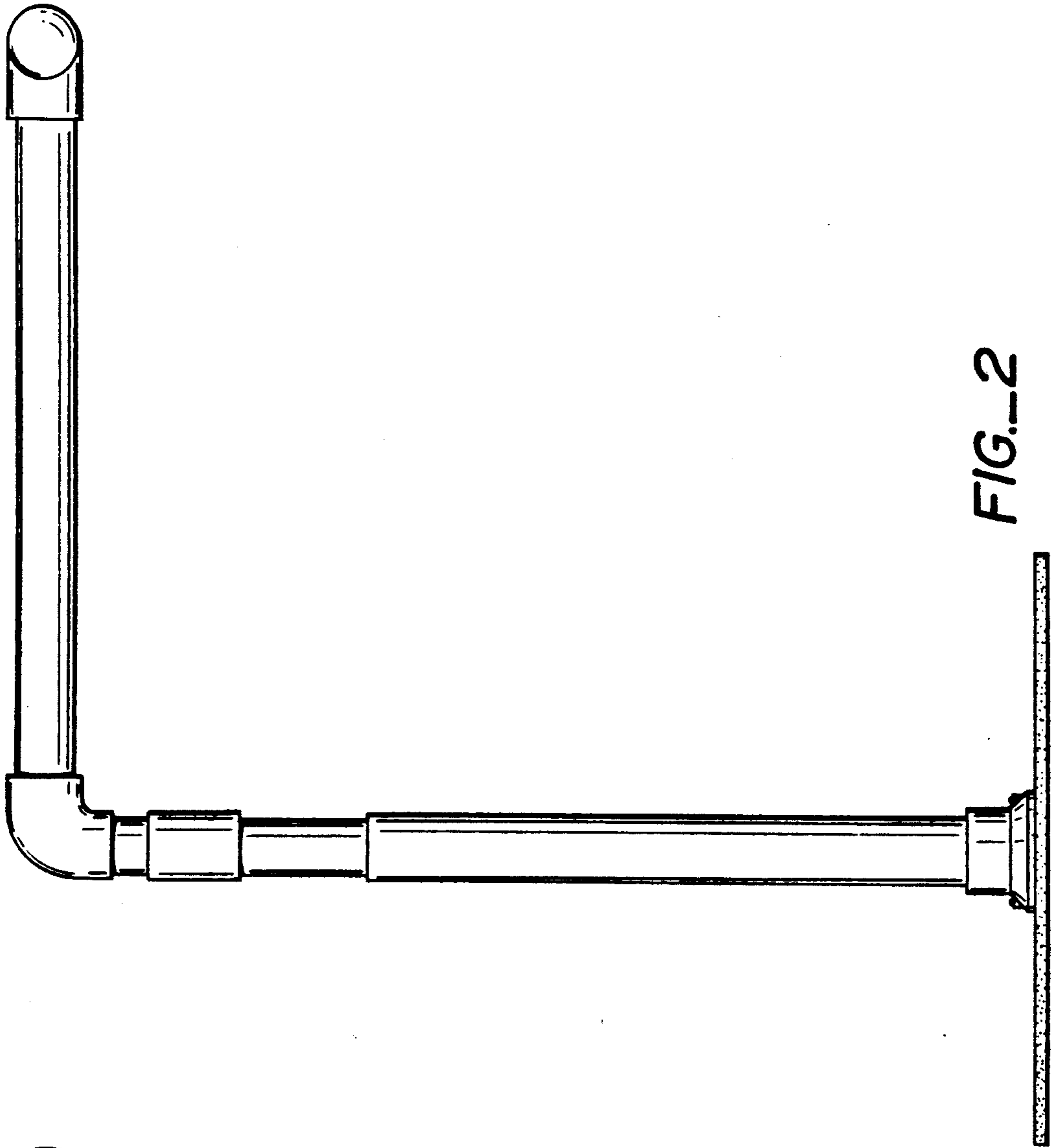


FIG.-2

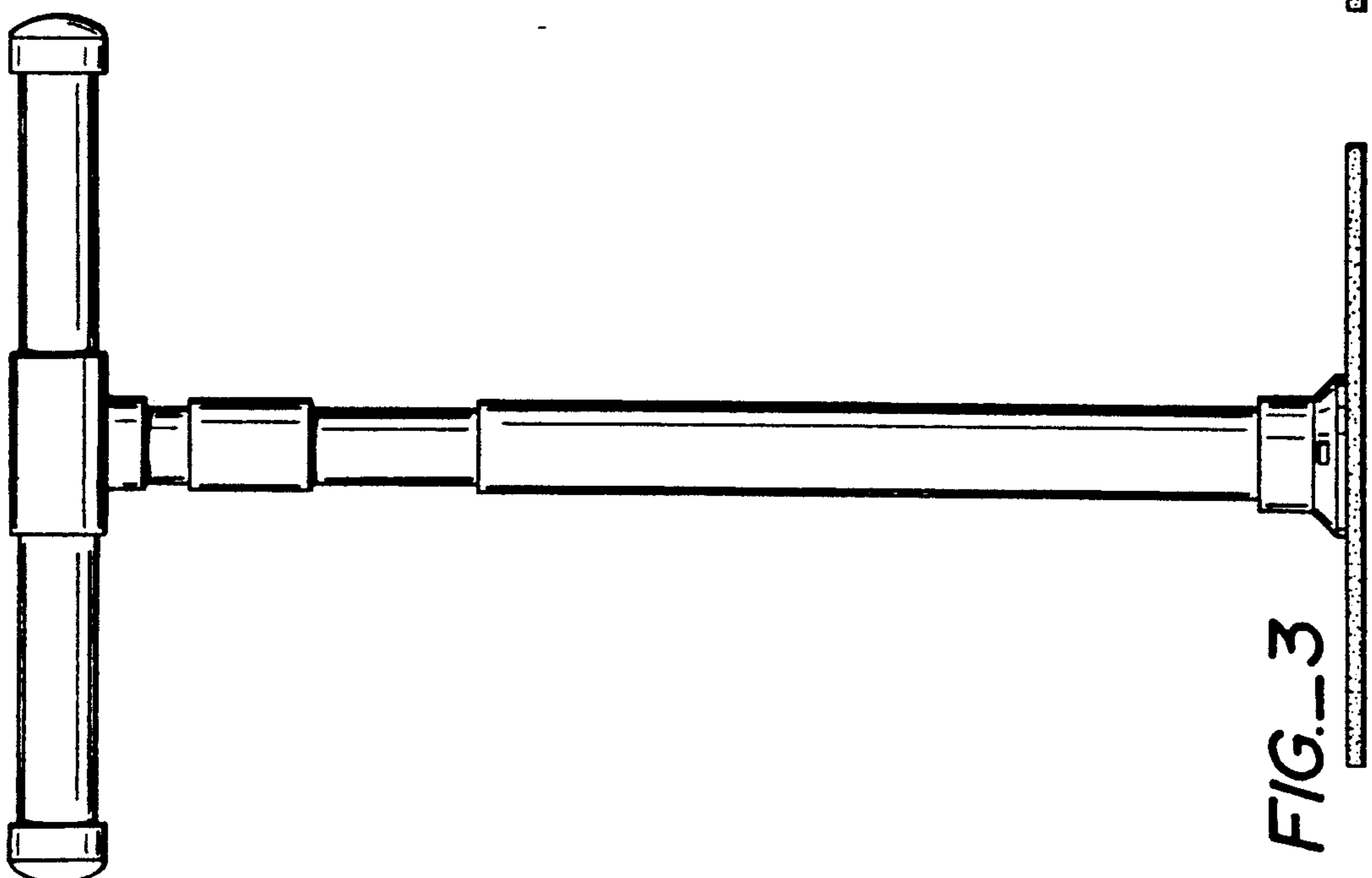


FIG.-3

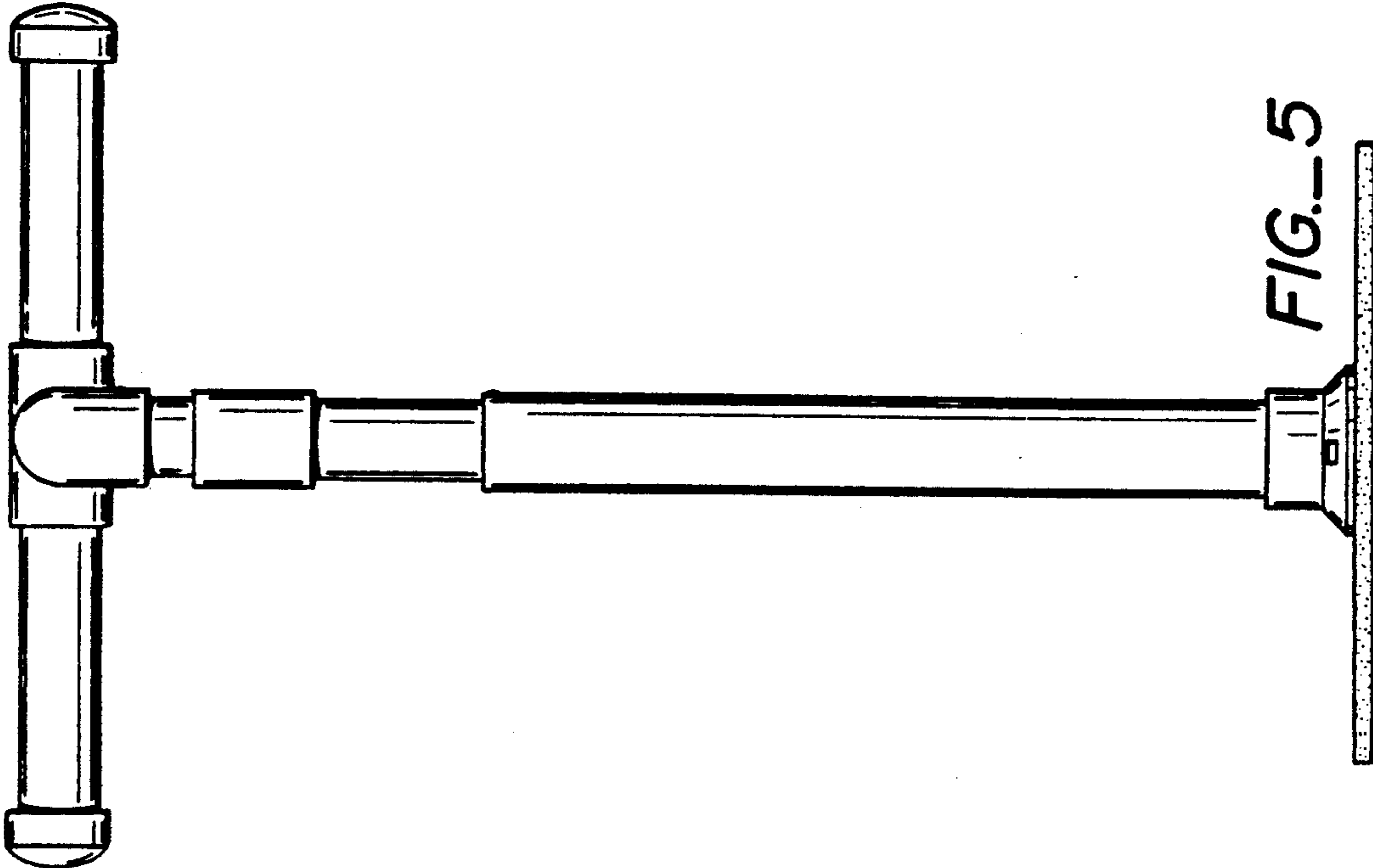


FIG. 5

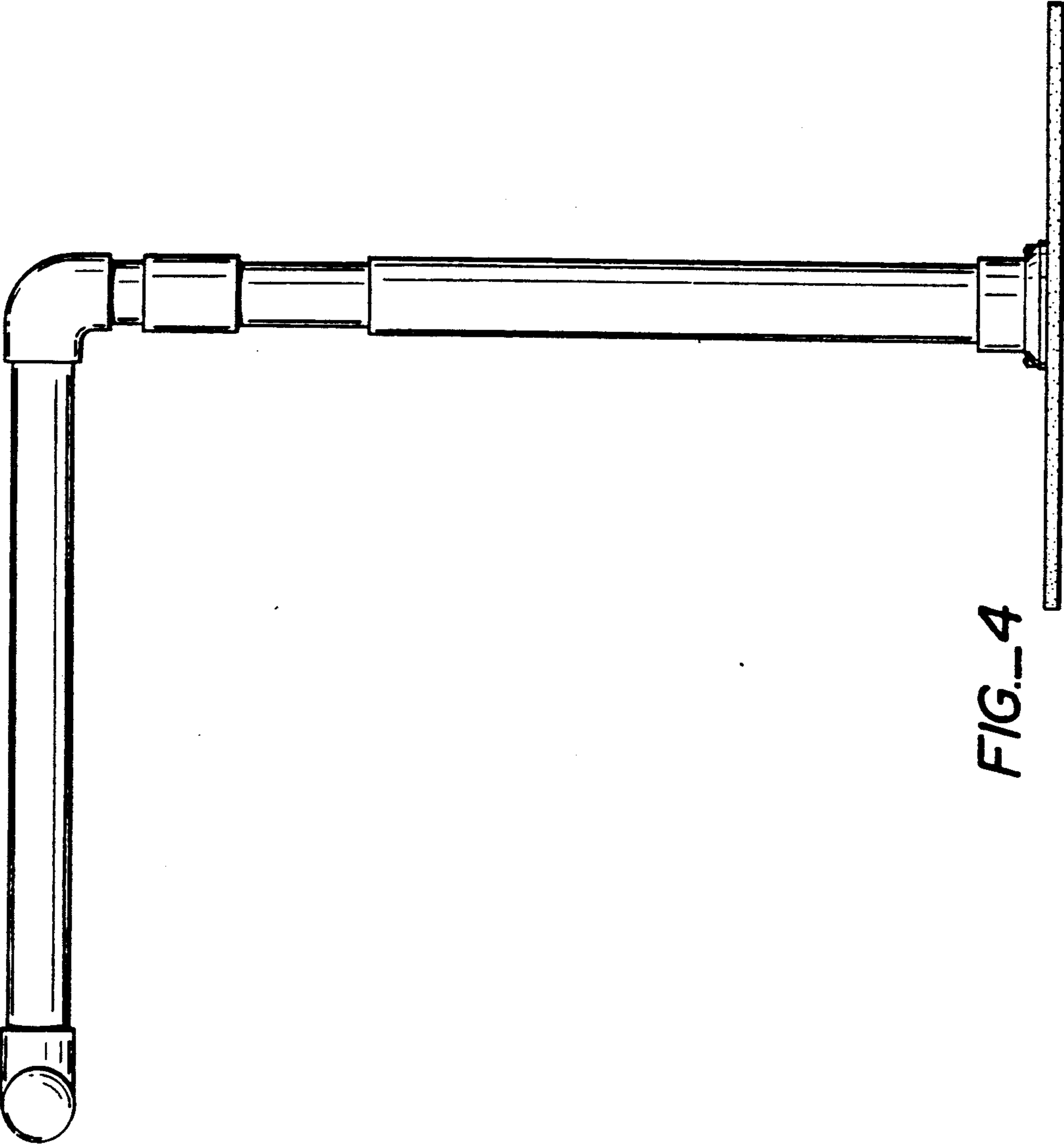


FIG. 4

