



US00D339383S

United States Patent [19]

[11] Patent Number: **Des. 339,383**

Tomimatsu

[45] Date of Patent: **** Sep. 14, 1993**

[54] **WATER GAME**

[75] Inventor: **Michiaki Tomimatsu, Tokyo, Japan**

[73] Assignee: **Tomy Company, Ltd., Tokyo, Japan**

[**] Term: **14 Years**

[21] Appl. No.: **802,467**

[22] Filed: **Dec. 5, 1991**

[30] **Foreign Application Priority Data**

Jun. 5, 1991 [JP] Japan 3-16525

[52] U.S. Cl. **D21/12; D21/59**

[58] Field of Search **D21/12, 59; 273/1, 6, 273/120 R, 150; 272/1 B**

[56] **References Cited**

U.S. PATENT DOCUMENTS

D. 90,728 9/1933 Poinier et al. D21/12

D. 245,440 8/1977 Kojima D21/12

D. 263,606 3/1982 Takahashi D21/59 X

D. 267,183 12/1982 Takahashi et al. D21/59 X

*Primary Examiner—Bernard Ansher
Assistant Examiner—Dominic Simone
Attorney, Agent, or Firm—Staas & Halsey*

[57] **CLAIM**

The ornamental design for a water game, as shown and described.

DESCRIPTION

FIG. 1 is a front elevational view of a water game showing my new design;

FIG. 2 is a rear elevational view thereof;

FIG. 3 is a left side elevational view thereof;

FIG. 4 is a right side elevational view thereof;

FIG. 5 is a top plan view thereof; and,

FIG. 6 is a bottom plan view.

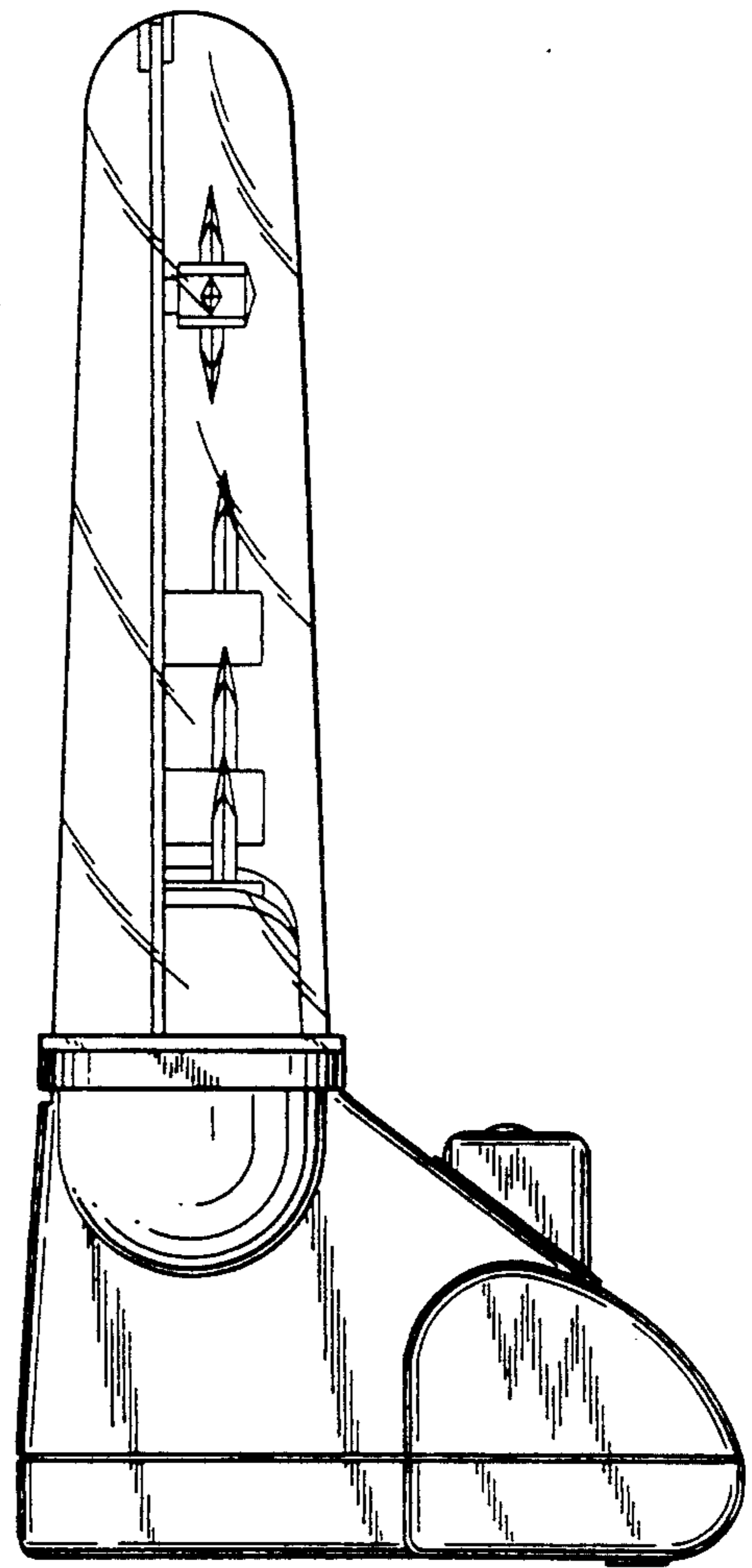
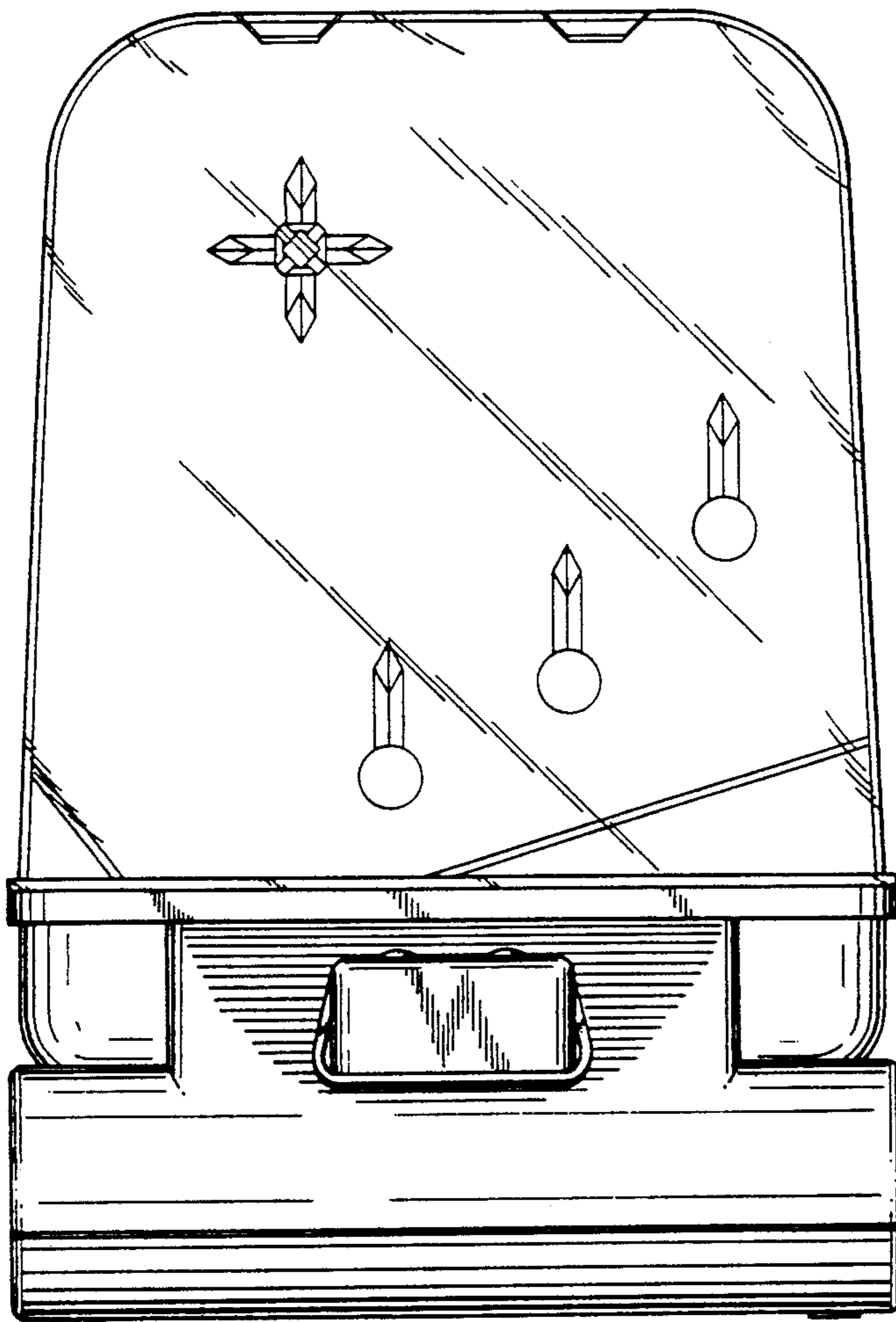


FIG. 1

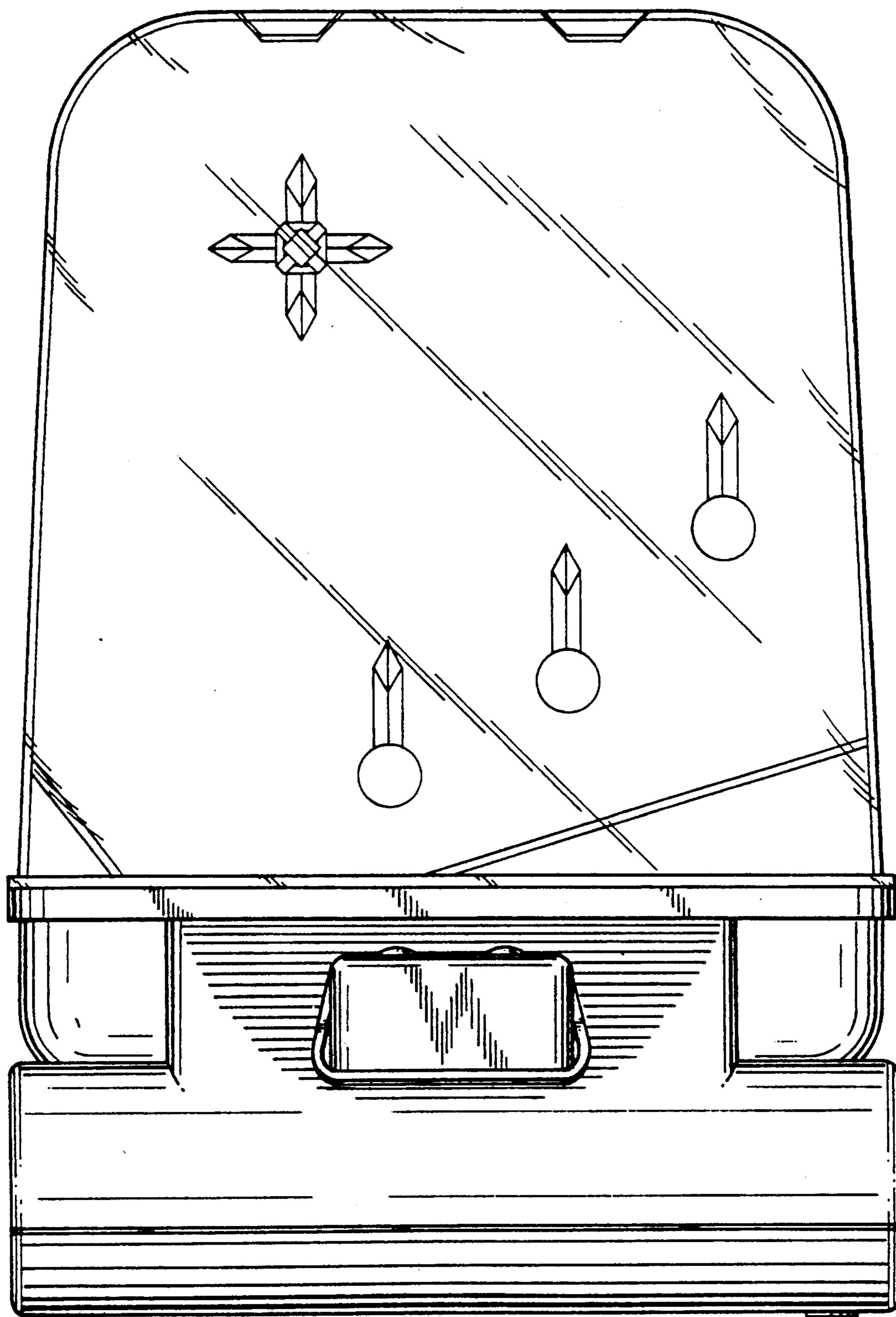


FIG. 2

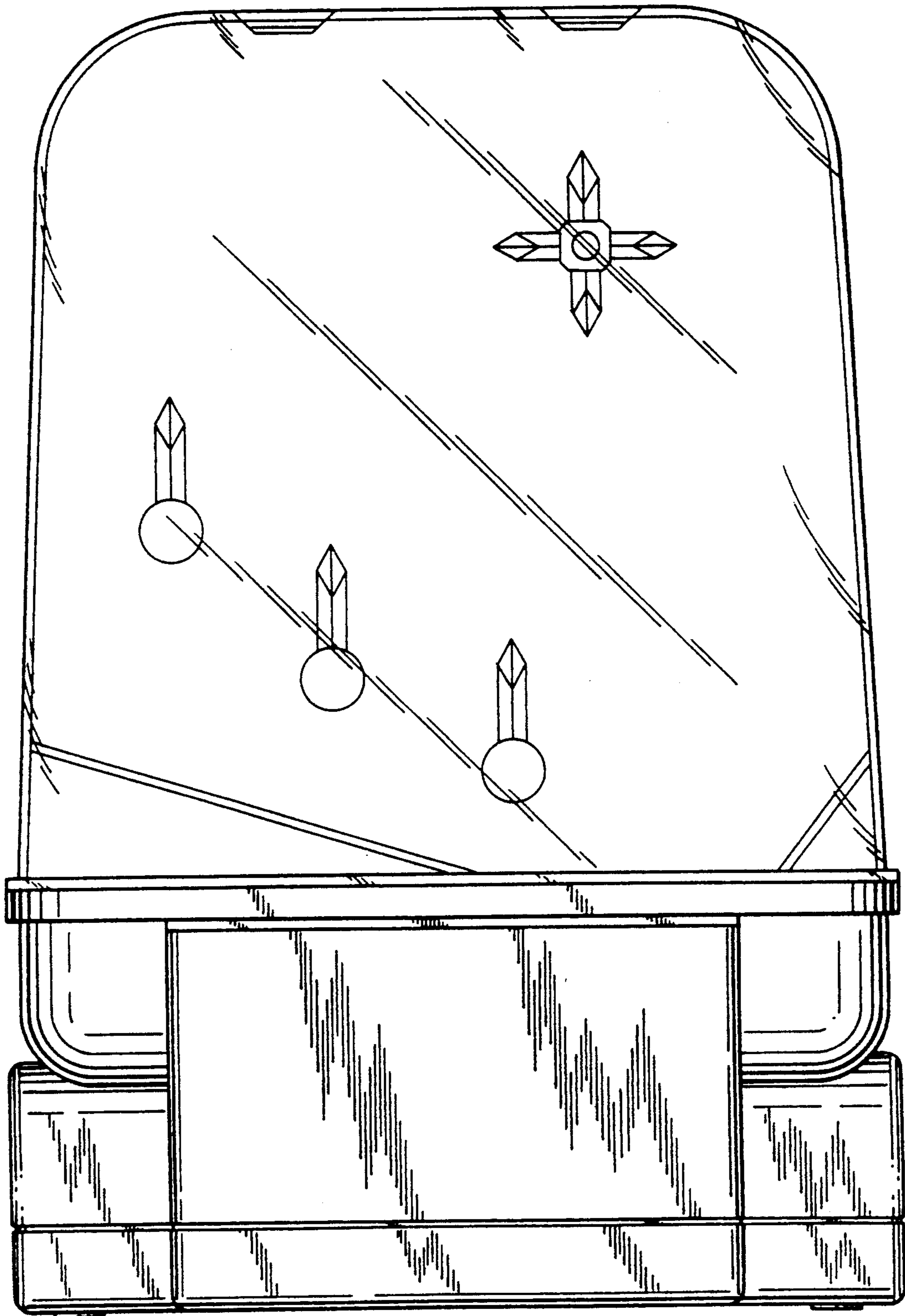


FIG. 3

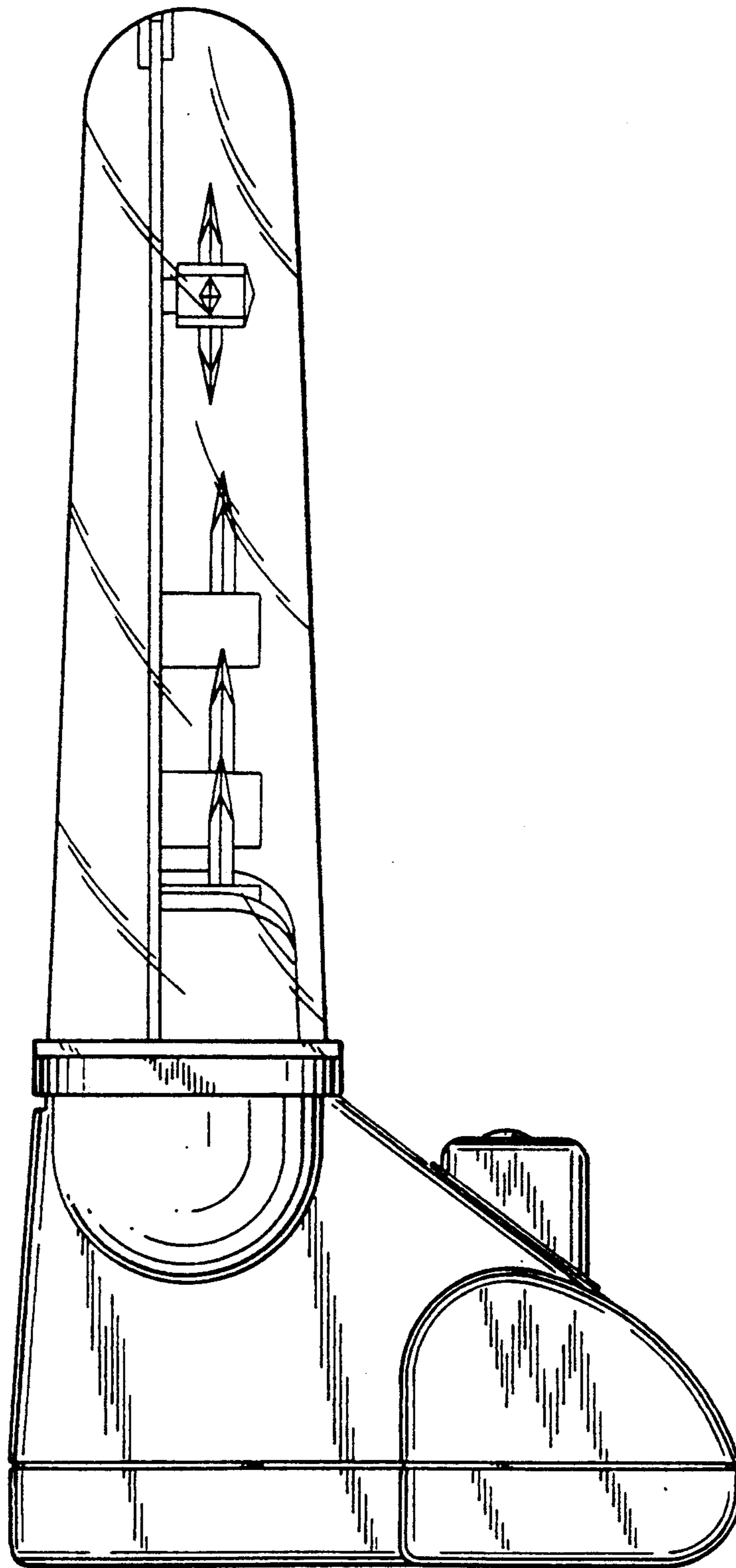


FIG. 4

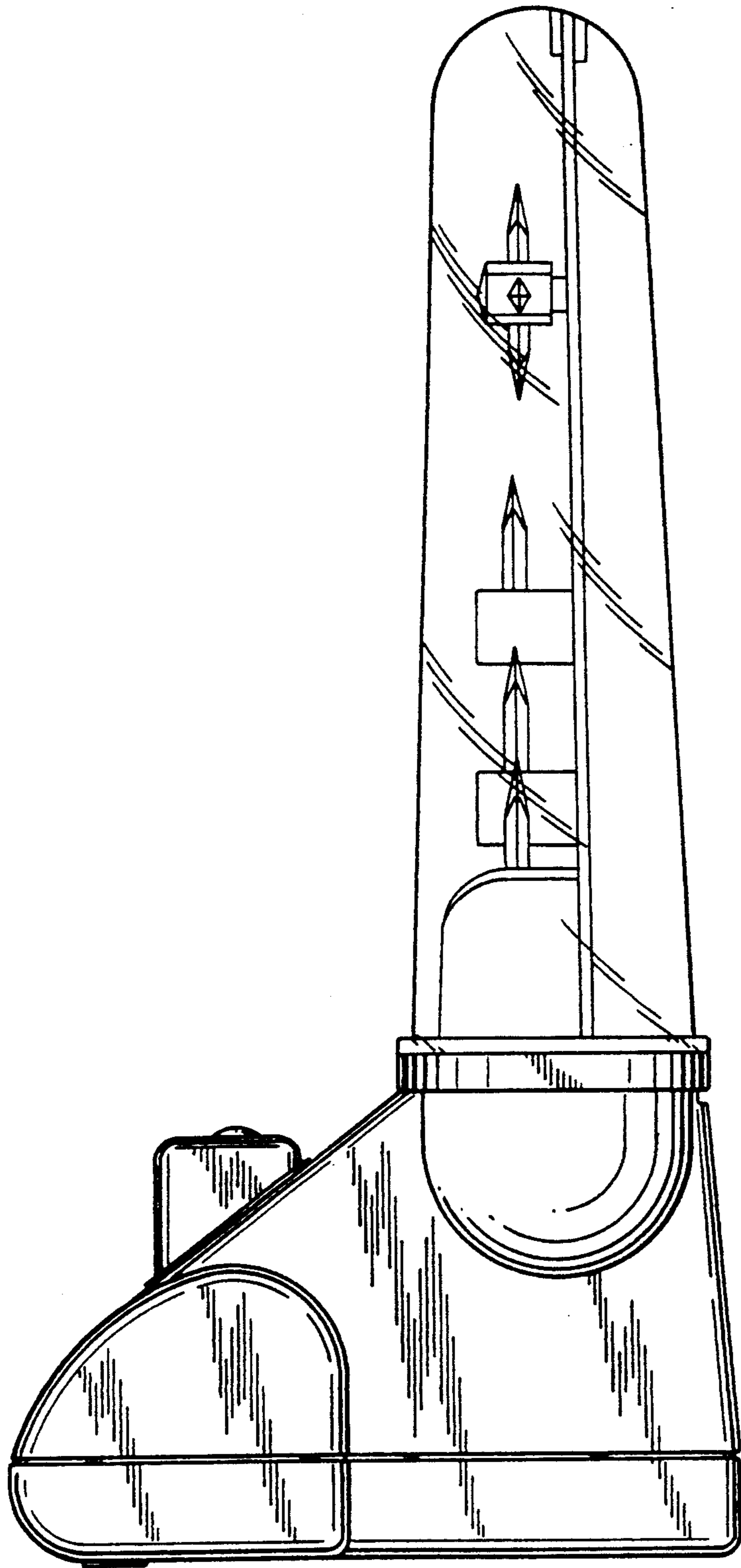


FIG. 5

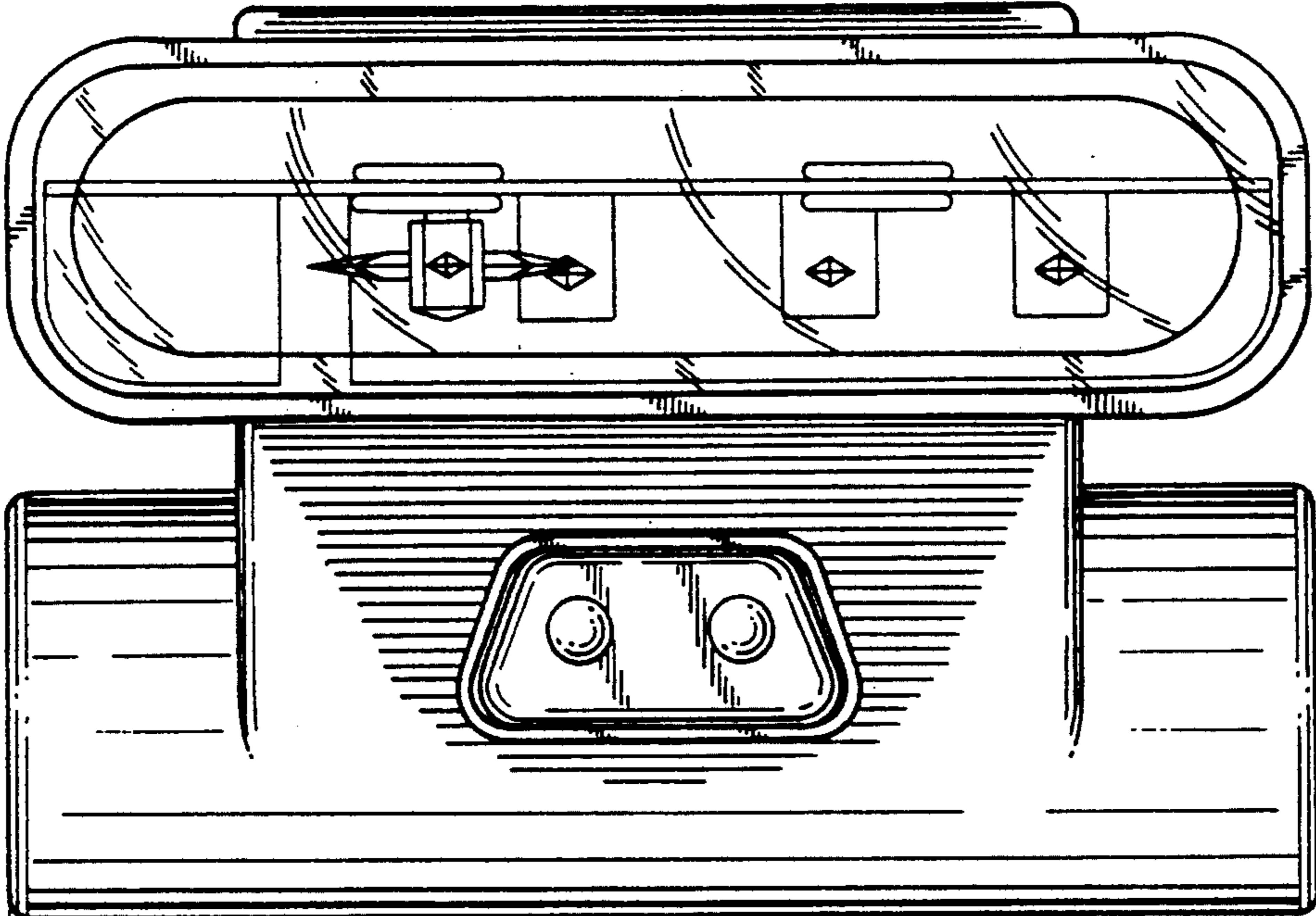


FIG. 6

