



US00D339374S

United States Patent [19]

[11] Patent Number: **Des. 339,374**

Chow et al.

[45] Date of Patent: **** Sep. 14, 1993**

[54] **PEDESTAL-MOUNTED CASE FOR A PEN PLOTTER**

[75] Inventors: **William C. Chow**, West Covina;
James Lawrence, Irvine, both of Calif.

[73] Assignee: **CalComp Inc.**, Anaheim, Calif.

[**] Term: **14 Years**

[21] Appl. No.: **706,517**

[22] Filed: **May 28, 1991**

[52] U.S. Cl. **D18/53; 346/136**

[58] Field of Search **D18/56, 50, 53; 346/136, 145; 395/103**

4,683,480	7/1987	Sakamoto et al.	346/136
4,734,716	3/1988	Silverberg et al.	346/136
4,888,710	12/1989	Venthem et al.	395/103
4,996,651	2/1991	Wells	395/103
5,150,131	9/1992	LaJaoudour	346/136
5,163,121	11/1992	Hosler	395/103

Primary Examiner—A. Hugo Word
Assistant Examiner—Cathy Anne MacCormac
Attorney, Agent, or Firm—Jr. Porter; Donald A. Streck

[57] CLAIM

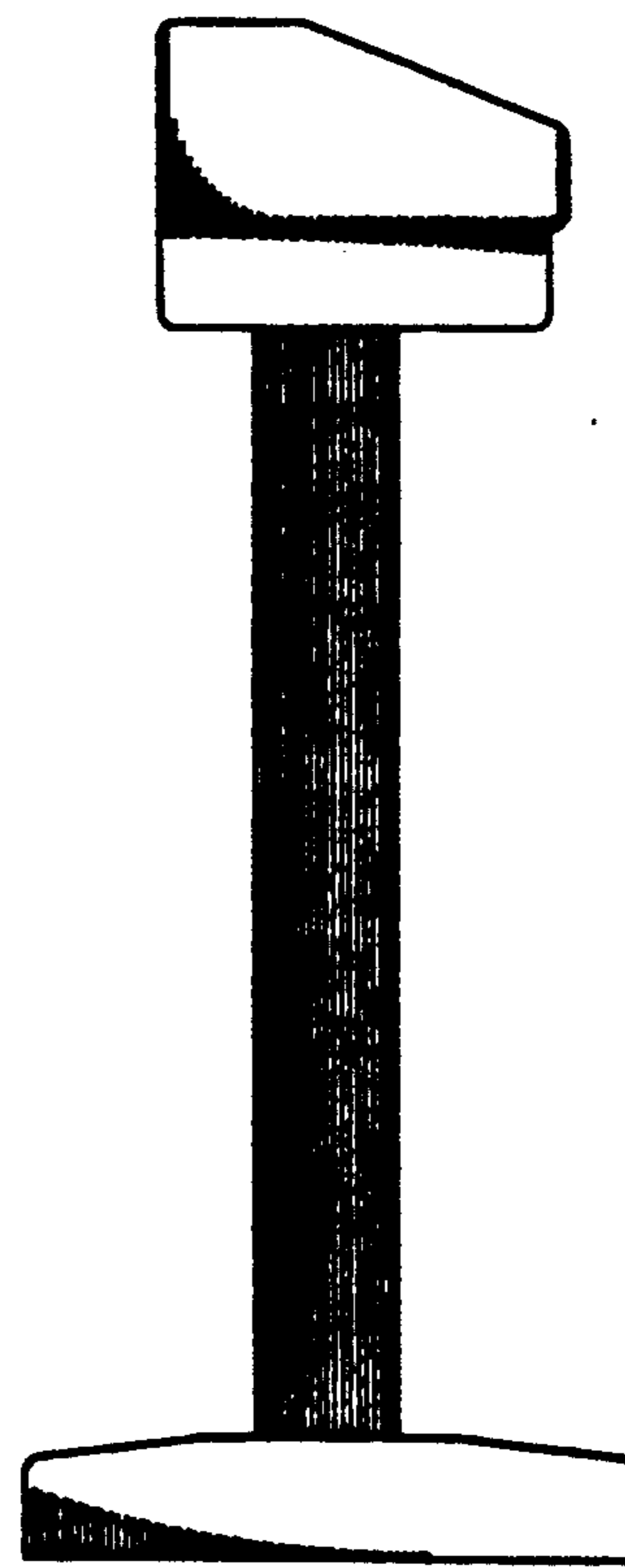
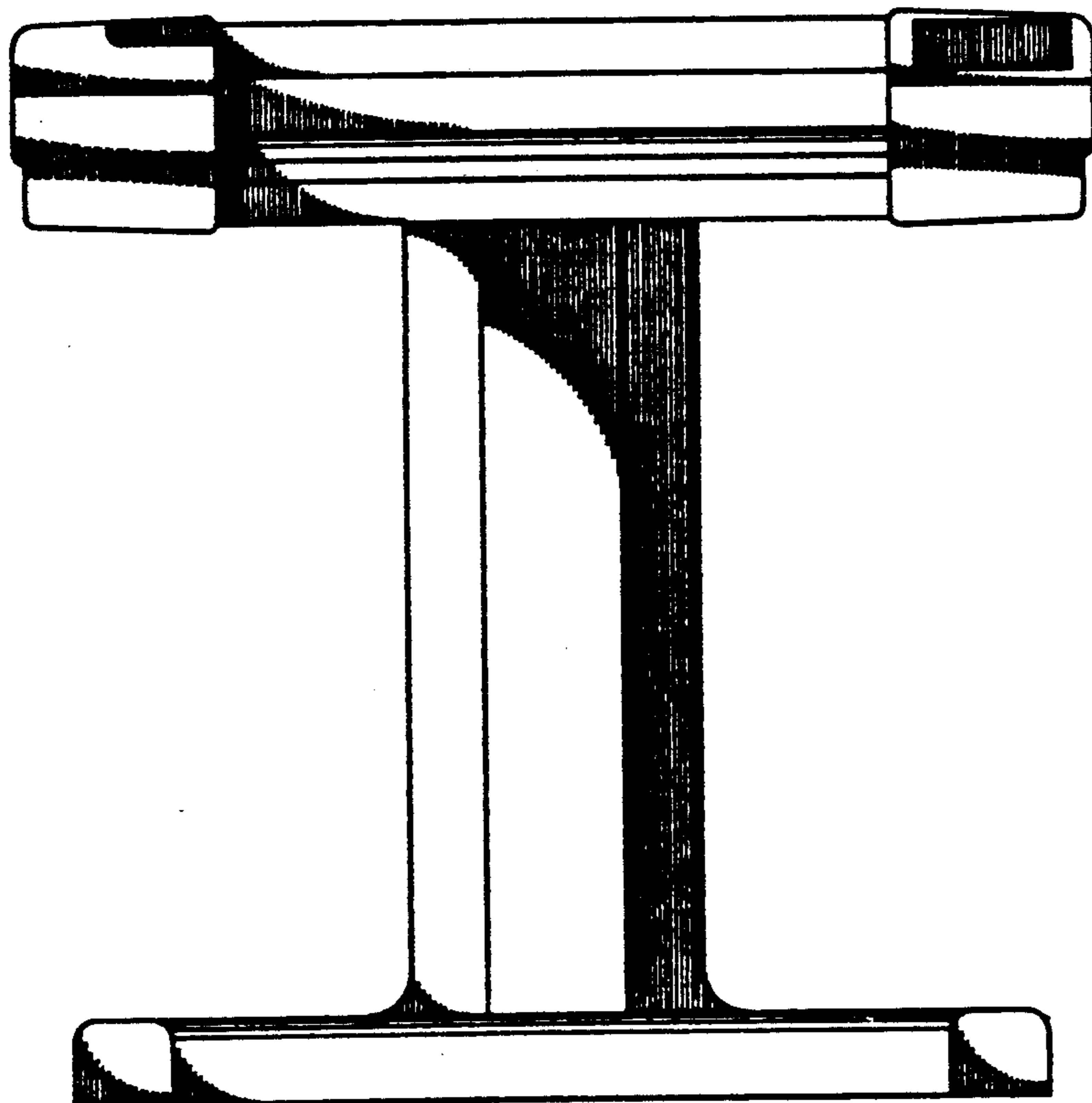
The ornamental design for a pedestal-mounted case for a pen plotter, as shown.

DESCRIPTION

FIG. 1 is a front elevation view of a pedestal-mounted case for a pen plotter showing our new design; FIG. 2 is a back elevation view thereof; FIG. 3 is a left side elevation view thereof; FIG. 4 is a right side elevation view thereof; FIG. 5 is a top view thereof; and, Fig. 6 is a bottom view thereof.

[56] References Cited U.S. PATENT DOCUMENTS

D. 319,071	8/1991	Tamasaku et al.	D18/53
4,039,127	8/1977	Huffhines et al.	346/136
4,172,565	10/1979	Zaffarano	346/136
4,369,453	1/1983	Brandt	346/136



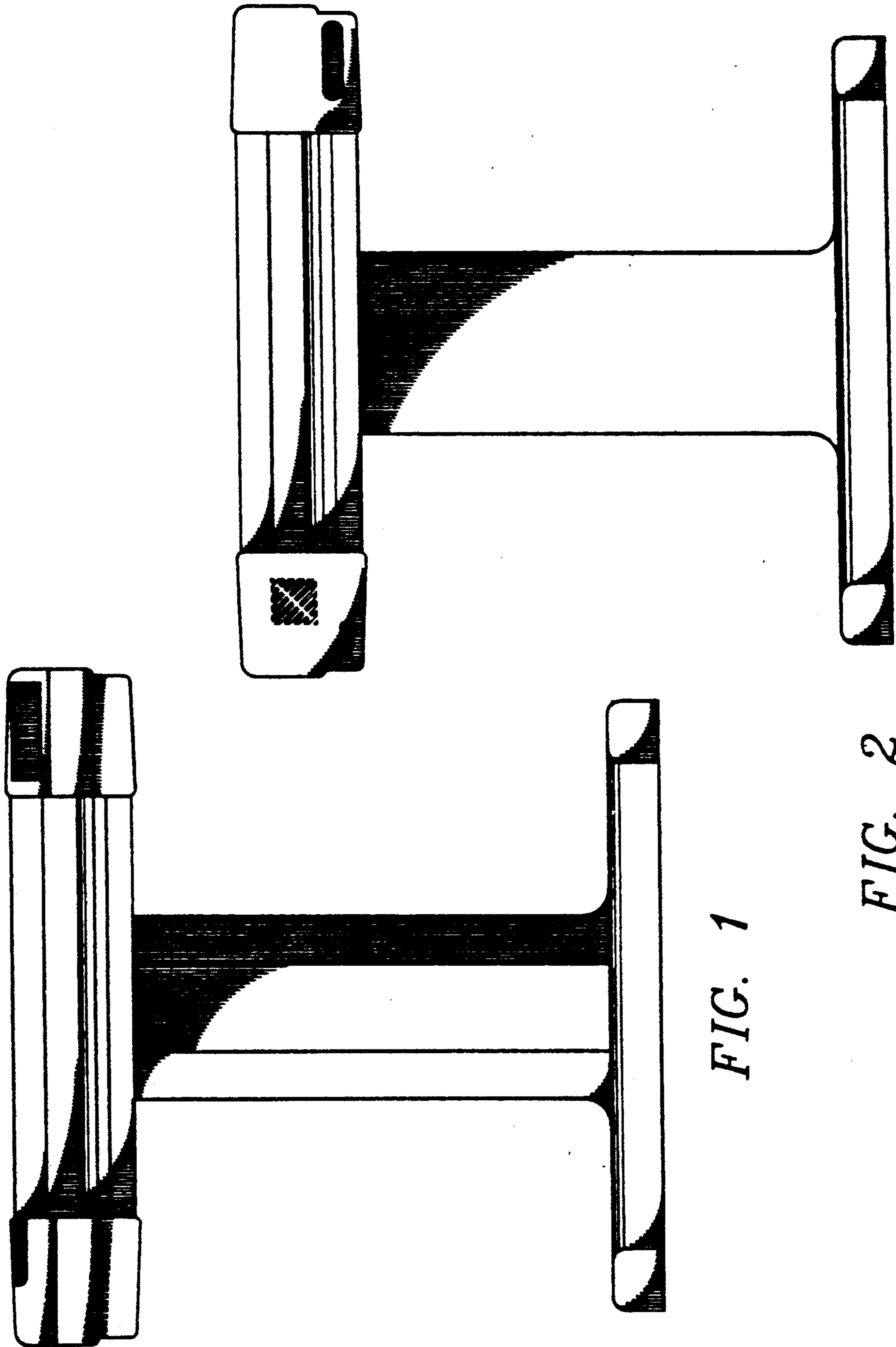


FIG. 1

FIG. 2

