



US00D339371S

United States Patent [19]

[11] Patent Number: **Des. 339,371**

Crist et al.

[45] Date of Patent: **** Sep. 14, 1993**

[54] **RECEIVING TRAY FOR COMPUTER PRINTER PAPER**

[75] Inventors: **Craig W. Crist, Muscatine; Lavern L. Weinschenk, Jr., Eldridge, both of Iowa**

[73] Assignee: **Hon Industries Inc., Muscatine, Iowa**

[**] Term: **14 Years**

[21] Appl. No.: **747,208**

[22] Filed: **Aug. 16, 1991**

[52] U.S. Cl. **D18/49; D9/92**

[58] Field of Search **D18/36-40, D18/46-49; D19/92; 211/45, 50, 126; 248/441.1, 447.2; 355/200, 308, 309**

[56] **References Cited**

U.S. PATENT DOCUMENTS

D. 290,717	7/1987	Judd	D18/13
D. 290,968	7/1987	Rich	D18/49
D. 296,217	6/1988	Drake et al.	D18/13
D. 305,035	12/1989	Yon et al.	D18/49
D. 313,614	1/1991	Hassel et al.	D18/23
963,040	7/1910	Feldman .	
3,248,077	4/1964	Charles	248/23
3,490,603	1/1970	Willer	211/41
4,515,490	5/1985	Marker, III	400/613.2
4,530,689	7/1985	Ringer, Sr.	493/410
4,541,749	9/1985	McCoy	400/613.2
4,651,967	3/1987	McCoy	248/676
4,696,591	9/1987	Boyden	400/613.2
4,703,919	11/1987	Drake et al.	248/677
4,722,506	2/1988	Chang	248/676

4,749,295	7/1988	Bankier et al.	400/613.2
4,773,781	9/1988	Bankier	400/613.2
4,871,273	10/1989	Fields	400/613.2
4,936,698	6/1990	Clyburn	400/613.2
4,938,447	7/1990	Schriner	248/670

OTHER PUBLICATIONS

MicroComputer Accessories, Inc. advertisement for the UniStand Universal Printer Stand, published in 1990.
Curtis Mfg. Co., Inc. advertisement for Curtis Universal Printer Stand, published in the Dec. 24, 1990 issue of Computer Reseller News.

OfficeTech advertisement for the Universal Printer Stand with Paper Tray, published in 1990.

Primary Examiner—Alan P. Douglas
Assistant Examiner—Ann Hunt
Attorney, Agent, or Firm—Leydig, Voit & Mayer, Ltd.

[57] **CLAIM**

The ornamental design for a receiving tray for computer printer paper, as shown and designed.

DESCRIPTION

FIG. 1 is a perspective view of a receiving tray for computer printer paper showing our new design, the portion of the printer shown in broken lines is for illustrative purposes only and forms no part of the claimed design;

FIG. 2 is a top plan view thereof;
FIG. 3 is a front elevational view thereof;
FIG. 4 is a left side elevational view thereof, the right side elevational view being a mirror image thereof;
FIG. 5 is a rear elevational view thereof; and,
FIG. 6 is a bottom plan view thereof.

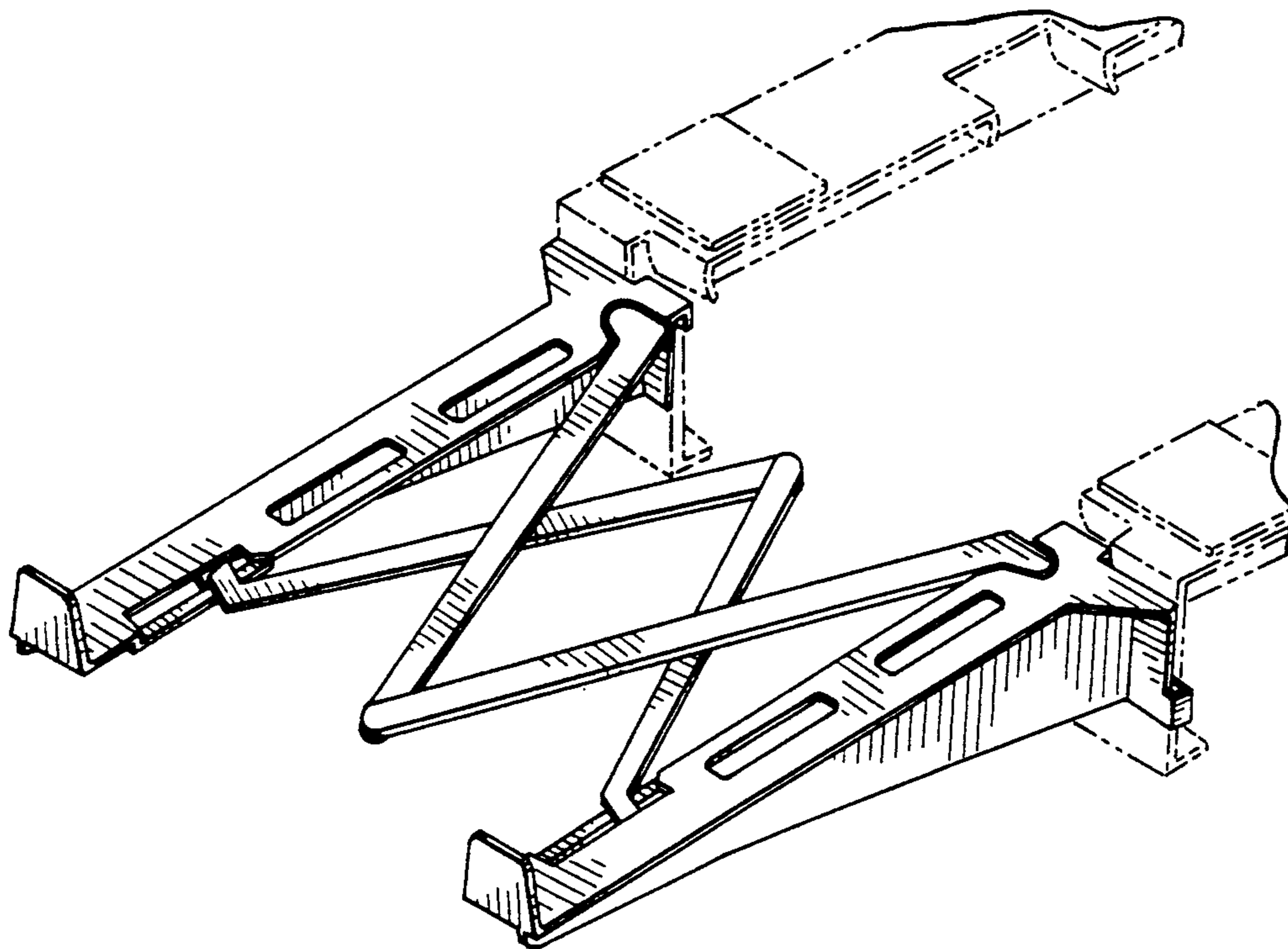


Fig. 1

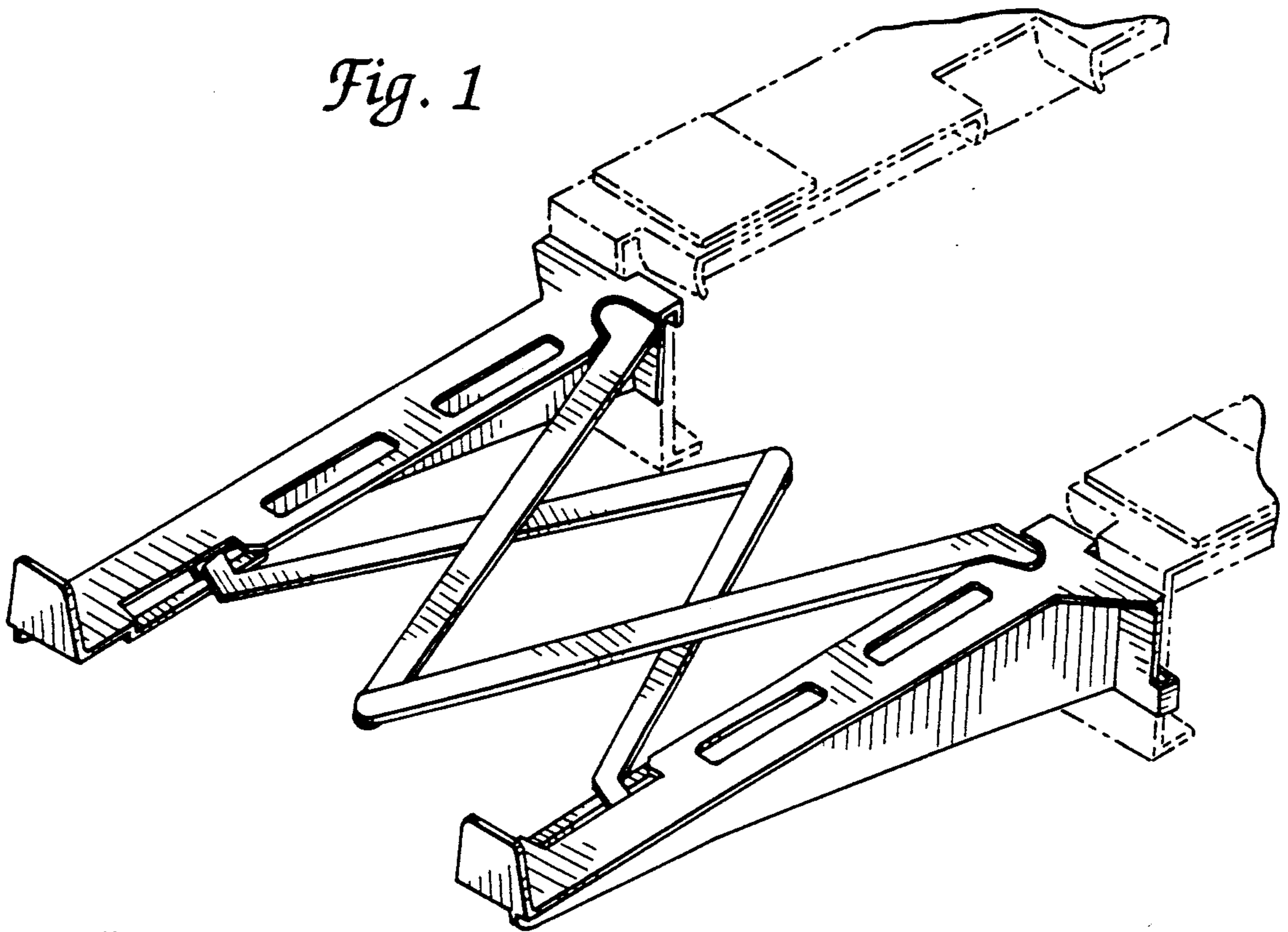
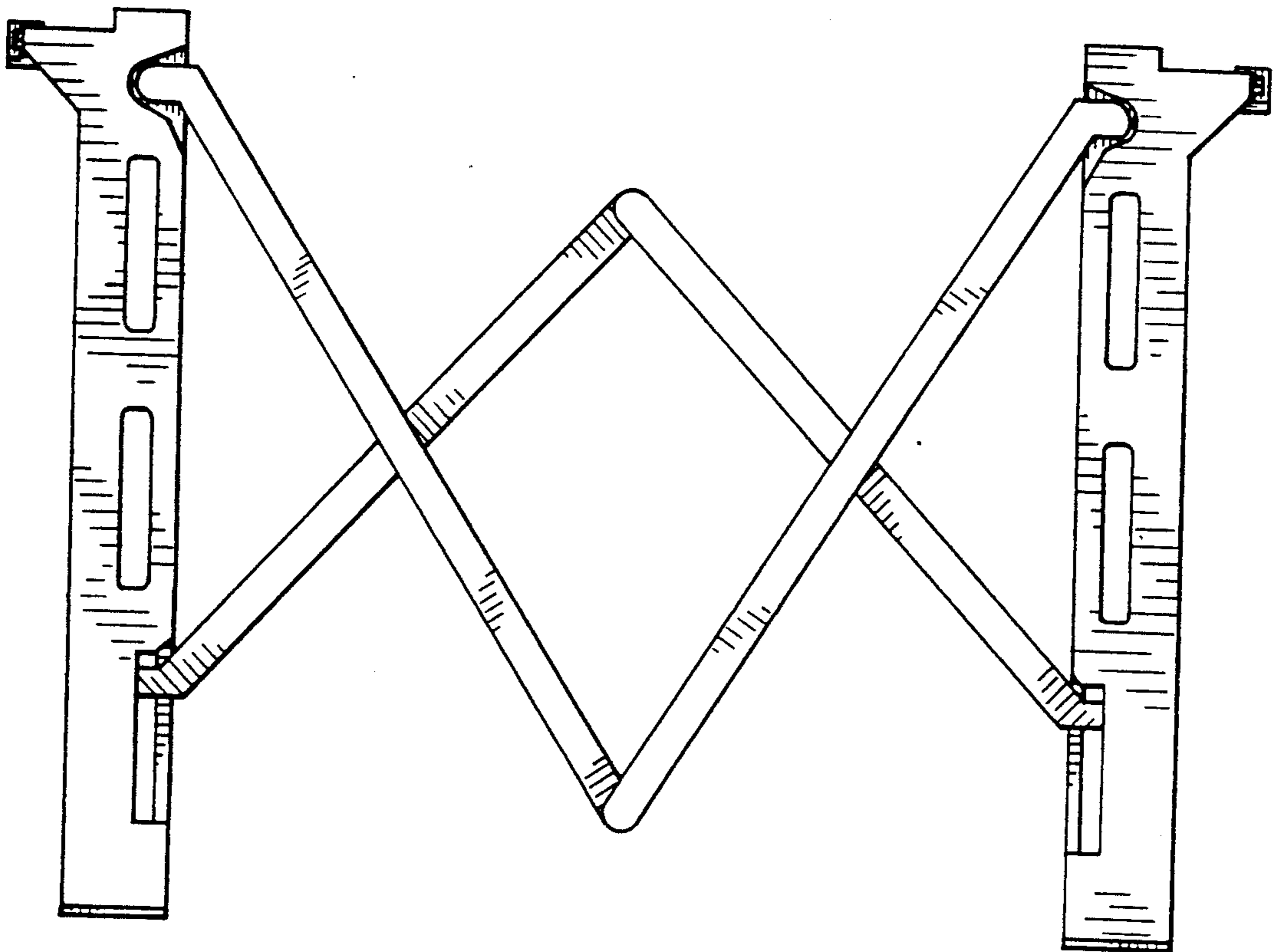


Fig. 2



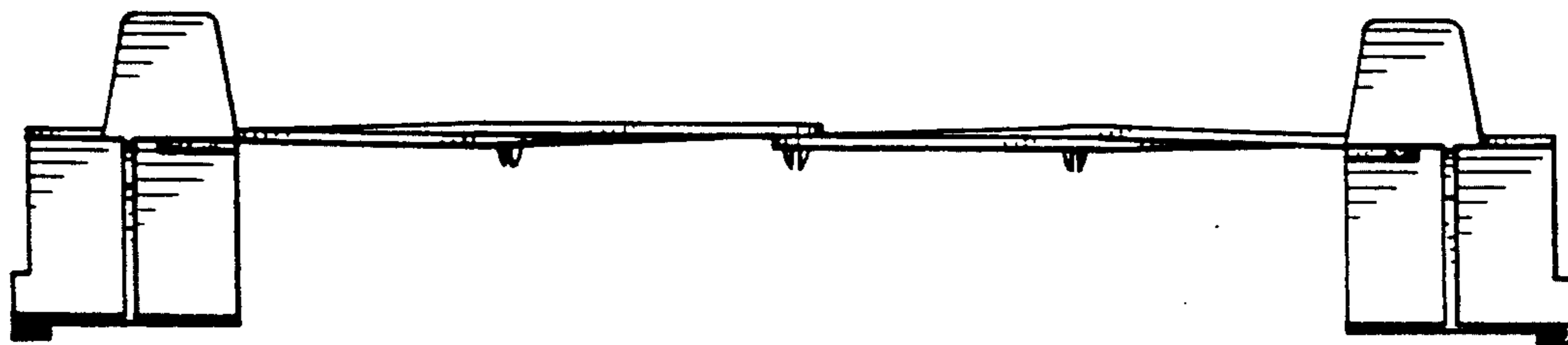


Fig. 3

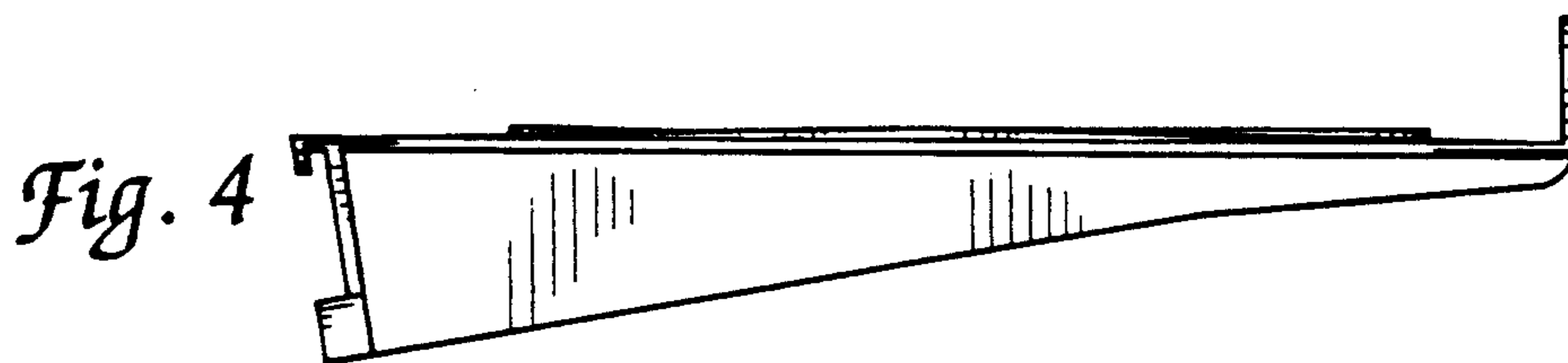


Fig. 4

Fig. 5

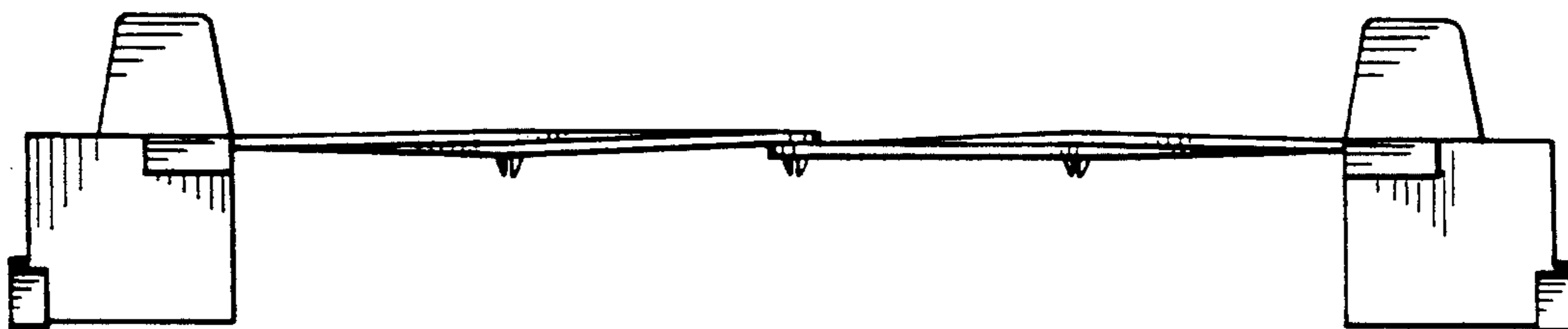
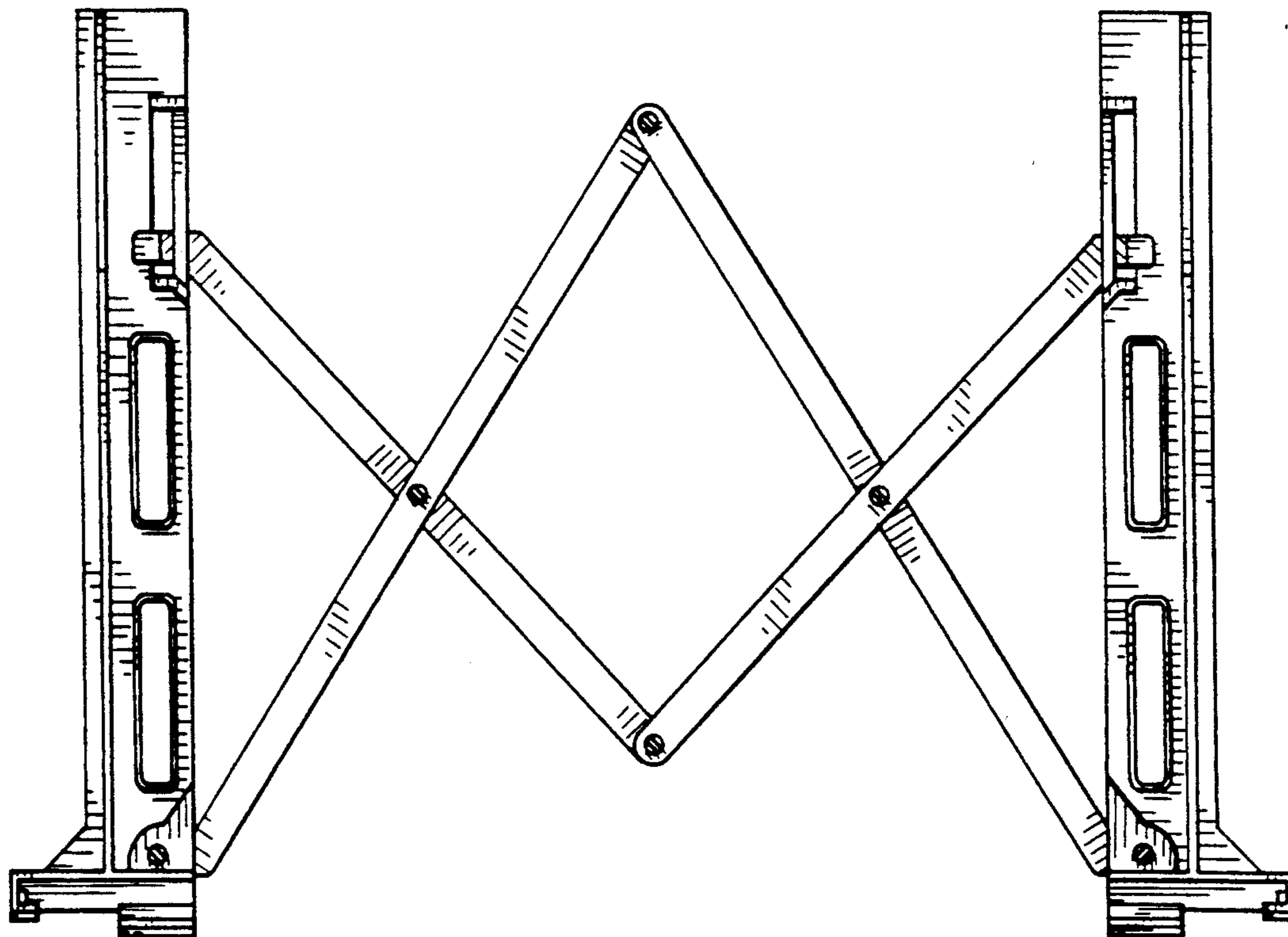


Fig. 6



UNITED STATES PATENT AND TRADEMARK OFFICE
CERTIFICATE OF CORRECTION

PATENT NO. : Des. 339,371
DATED : Sept. 14, 1993
INVENTOR(S) : Craig W. Crist, et al

It is certified that error appears in the above-identified patent and that said Letters Patent is hereby corrected as shown below:

On title page, item [57],

Line 2, change "designed" to
--described--.

Signed and Sealed this
Sixteenth Day of August, 1994



BRUCE LEHMAN

Attest:

Attesting Officer

Commissioner of Patents and Trademarks