



US00D339366S

United States Patent [19]

[11] Patent Number: Des. 339,366

Shirai

[45] Date of Patent: ** Sep. 14, 1993

[54] 35 MM CAMERA

[75] Inventor: Yoichi Shirai, Tokyo, Japan

[73] Assignee: Asahi Kogaku Kogyo K.K., Tokyo, Japan

[**] Term: 14 Years

[21] Appl. No.: 780,317

[22] Filed: Oct. 22, 1991

[30] Foreign Application Priority Data

Apr. 22, 1991 [JP] Japan 3-11949

[52] U.S. Cl. D16/209; D16/218

[58] Field of Search D16/200-205, D16/208-213, 216-218; 354/126, 149.11, 202, 288

[56] References Cited

U.S. PATENT DOCUMENTS

D. 295,418 4/1988 Gotham D16/209

D. 320,610 10/1991 Chan D16/209
D. 331,251 11/1992 Shull et al. D16/209
D. 331,591 12/1992 Horiuchi et al. D16/209
4,299,465 11/1981 Chan 354/288

Primary Examiner—Bernard Ansher
Assistant Examiner—Adir Aronovich
Attorney, Agent, or Firm—Sughrue, Mion, Zinn, Macpeak & Seas

[57] CLAIM

The ornamental design for a 35 mm camera, as shown.

DESCRIPTION

FIG. 1 is a front, top and right side perspective view of a 35 mm camera showing my new design; FIG. 2 is a front elevational view thereof; FIG. 3 is a rear elevational view thereof; FIG. 4 is a top plan view thereof; FIG. 5 is a bottom plan view thereof; FIG. 6 is a left side elevational view thereof; and, FIG. 7 is a right side elevational view thereof.

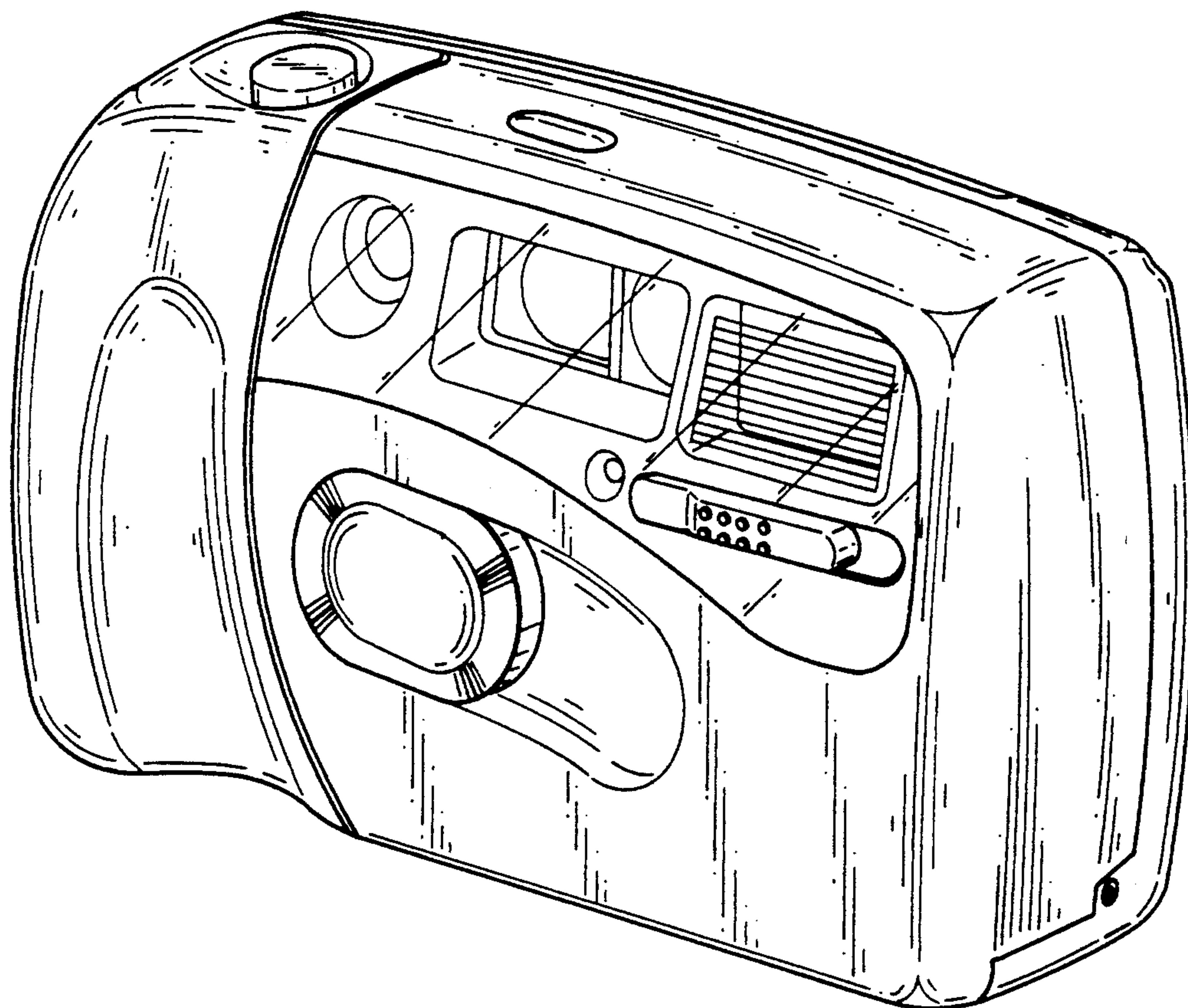


Fig. 1

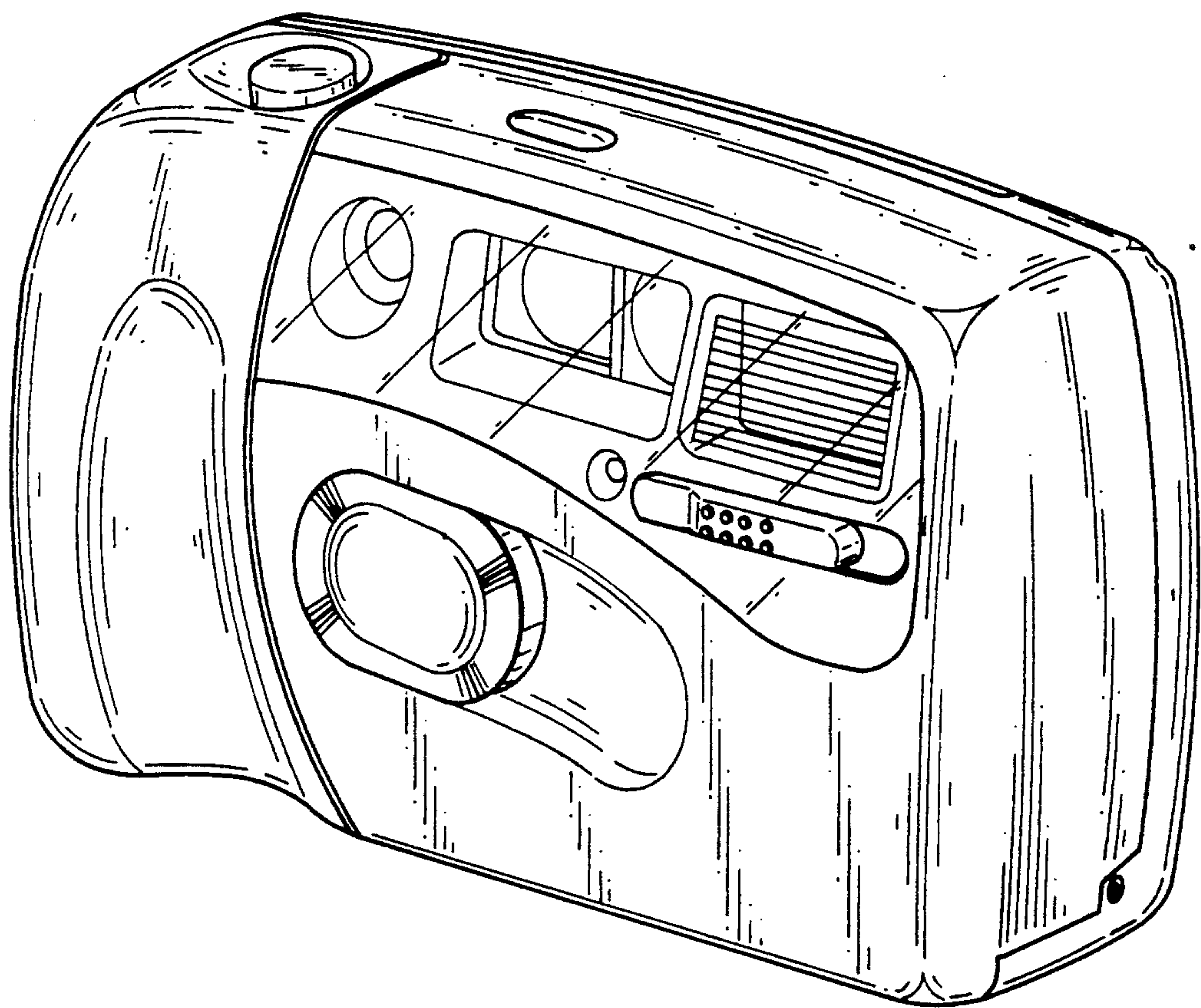


Fig. 2

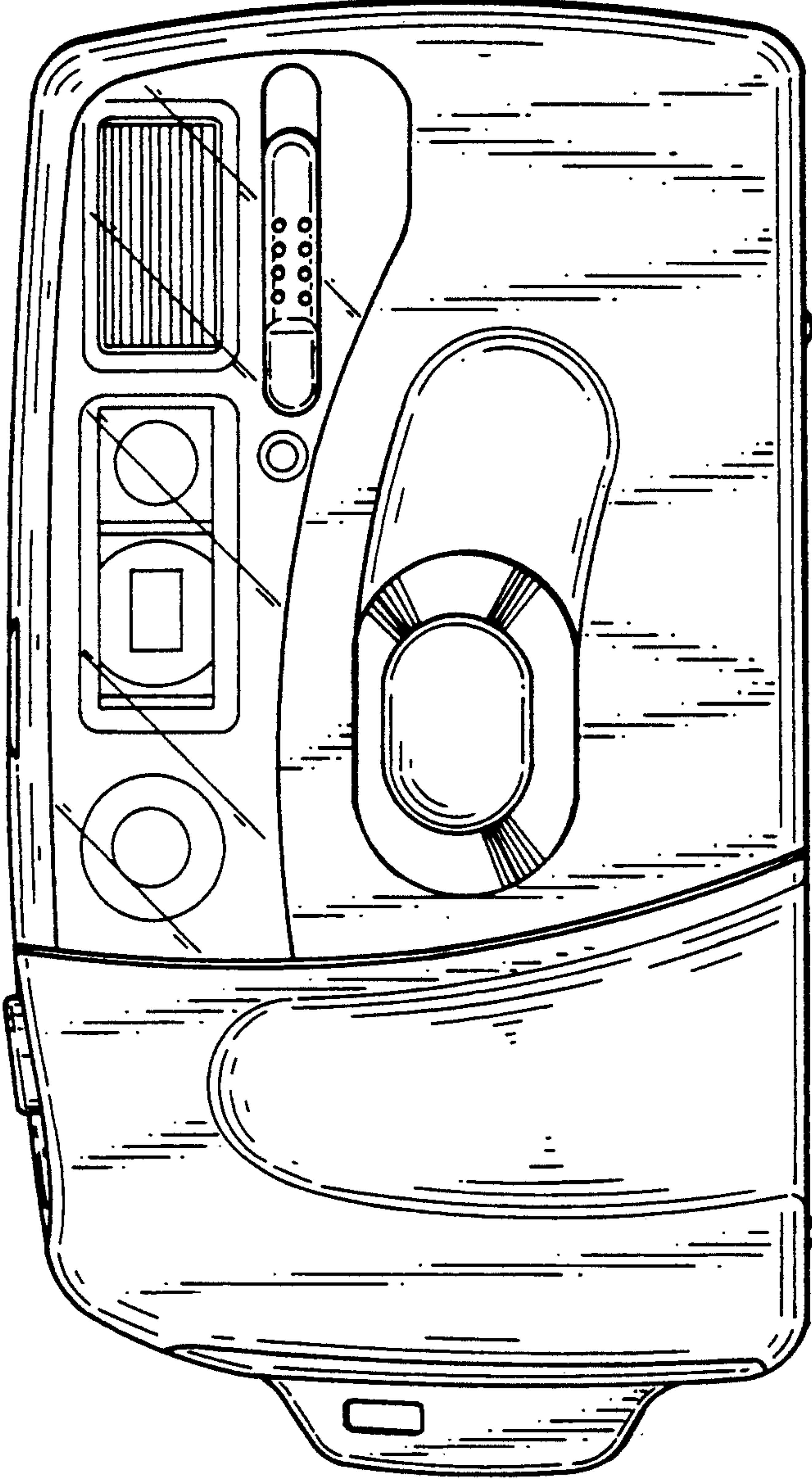


Fig. 3

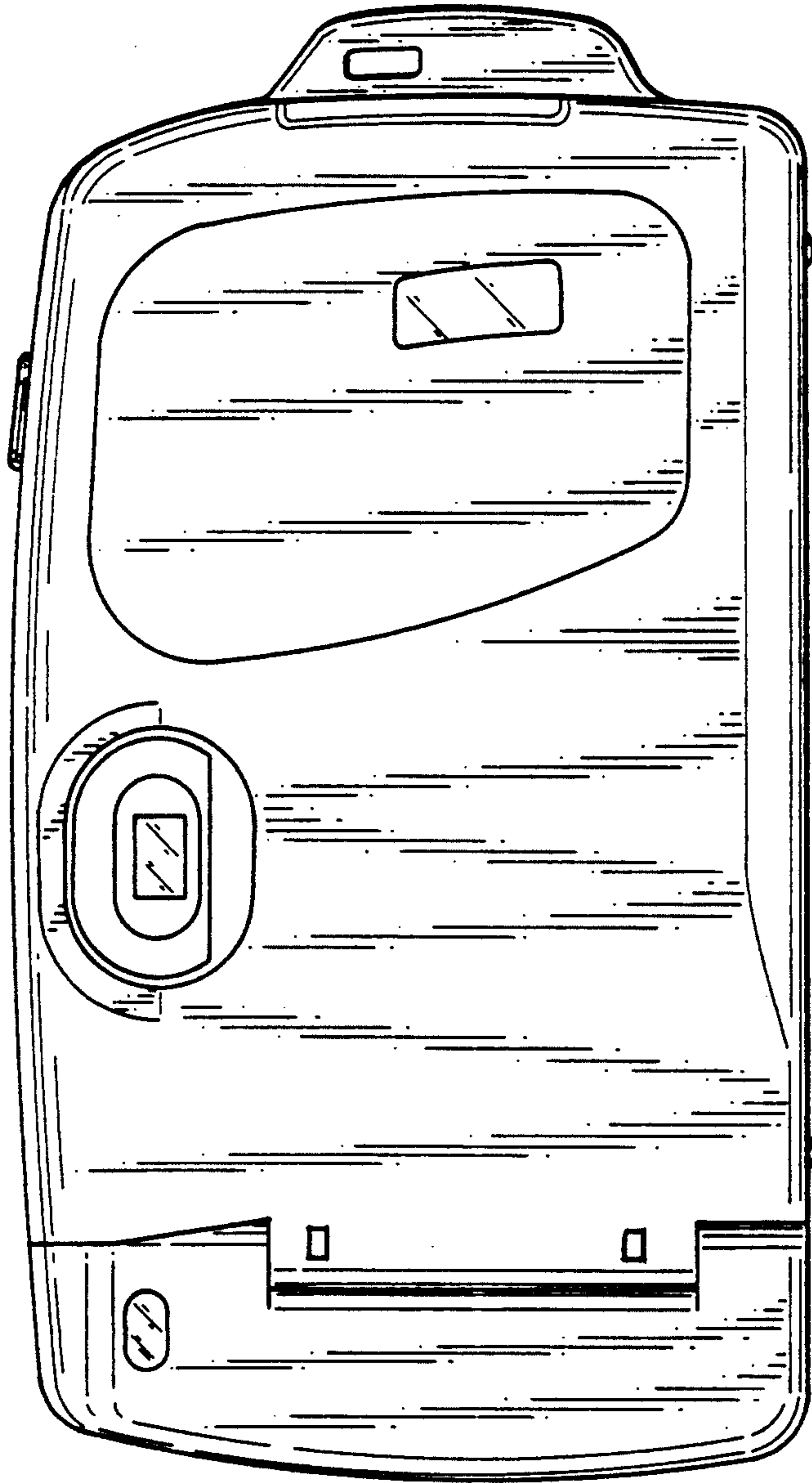


Fig. 4

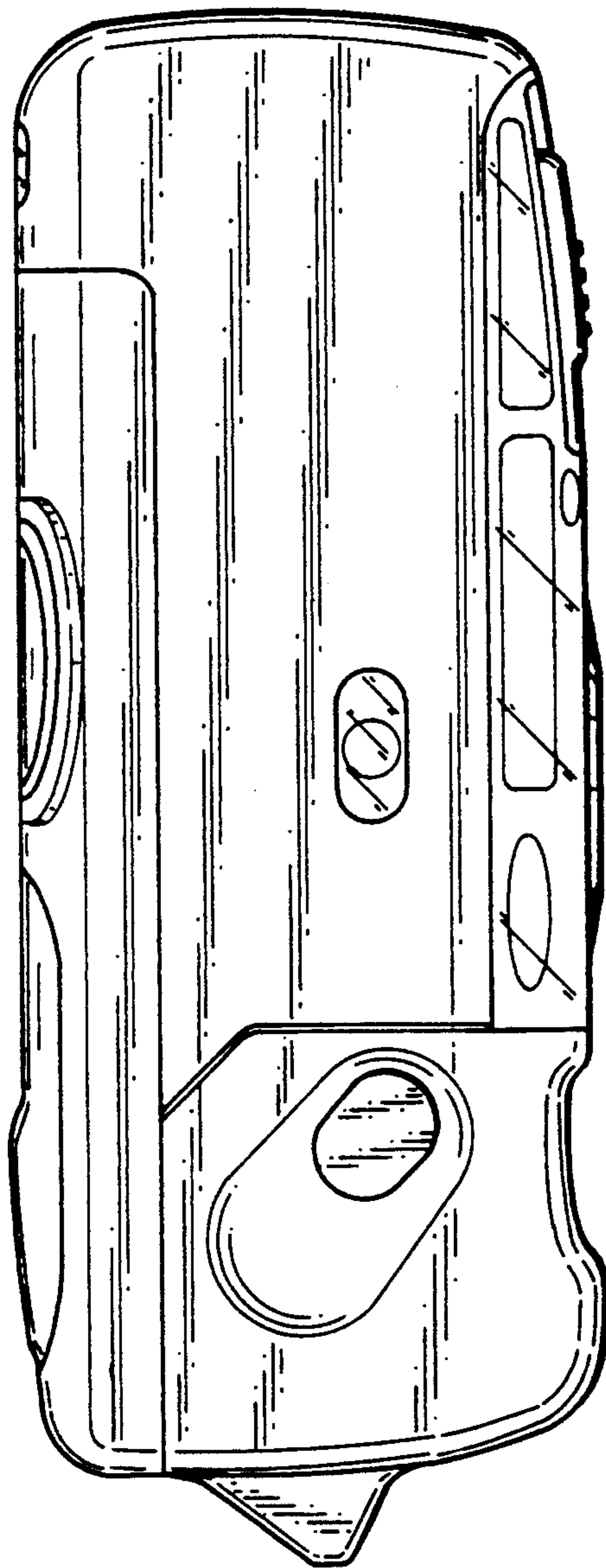


Fig. 5

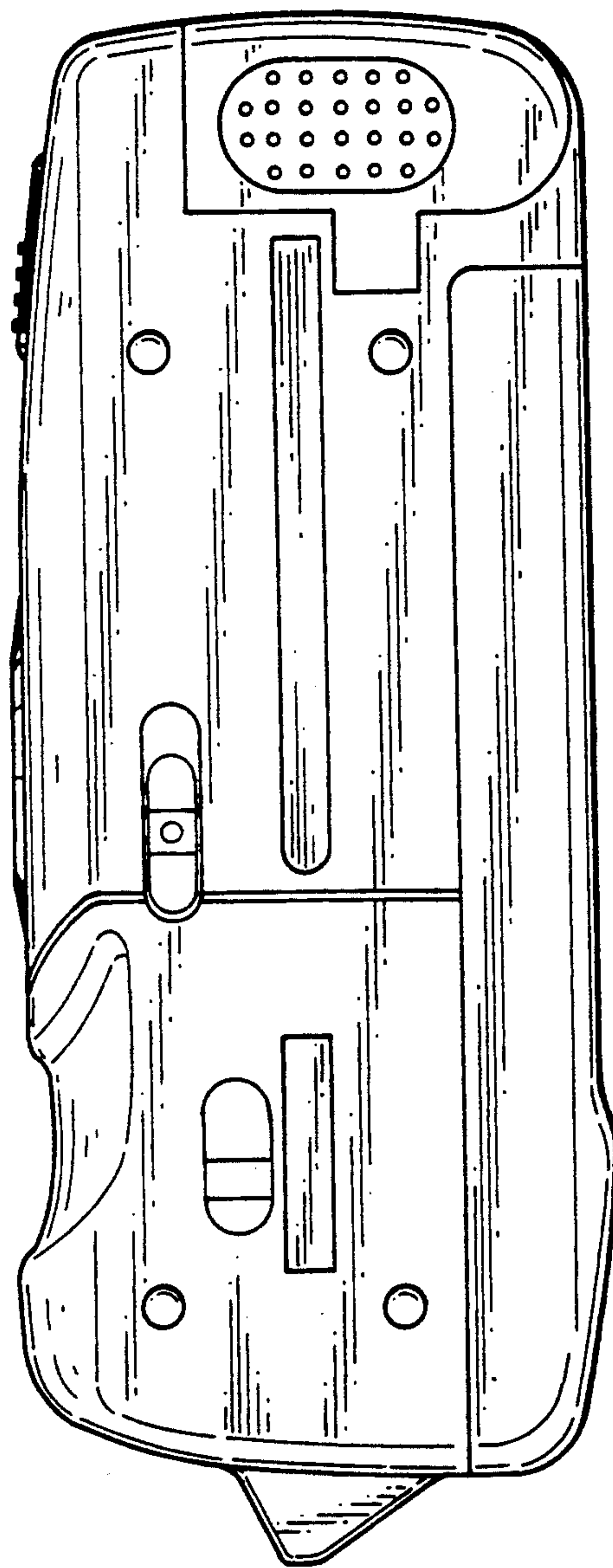


Fig. 7

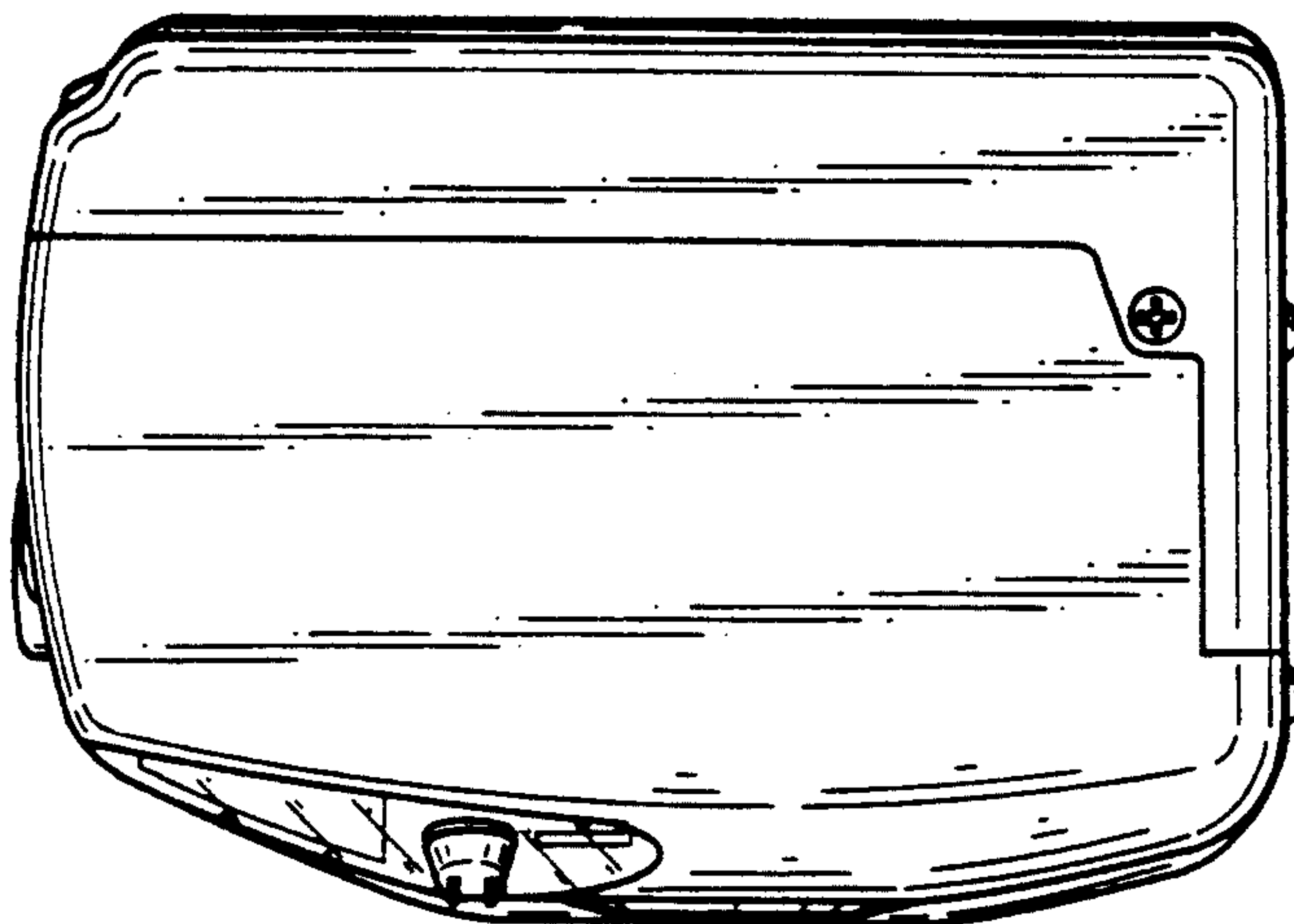


Fig. 6

