



US00D339361S

**United States Patent** [19]  
**Humphrey**

[11] **Patent Number: Des. 339,361**

[45] **Date of Patent: \*\* Sep. 14, 1993**

[54] **HOPPER FOR SANDBLASTING MACHINE**

[75] **Inventor: William C. Humphrey, Raleigh, N.C.**

[73] **Assignee: Southern Case, Inc., Raleigh, N.C.**

[\*\*] **Term: 14 Years**

[21] **Appl. No.: 709,142**

[22] **Filed: May 31, 1991**

[52] **U.S. Cl. .... D15/123**

[58] **Field of Search ..... D15/123, 199; D3/30.1, D3/73; 51/319, 410, 426, 427, 429, 436, 439**

[56] **References Cited**

**U.S. PATENT DOCUMENTS**

- D. 118,054 12/1939 Prahl, Jr. et al. .... D15/199
- D. 273,196 3/1984 Radtke ..... D15/199 X
- 4,067,150 1/1978 Merrizan ..... 51/439 X

- 4,233,785 11/1980 Abell ..... 51/436 X
- 4,646,487 3/1987 Chitjian ..... 51/429 X

*Primary Examiner*—Alan P. Douglas

*Assistant Examiner*—Antoine D. Davis

*Attorney, Agent, or Firm*—Bell, Seltzer, Park & Gibson

[57] **CLAIM**

The ornamental design for a hopper for a sandblasting machine, as shown.

**DESCRIPTION**

FIG. 1 is a front right perspective view of a hopper showing my new design;

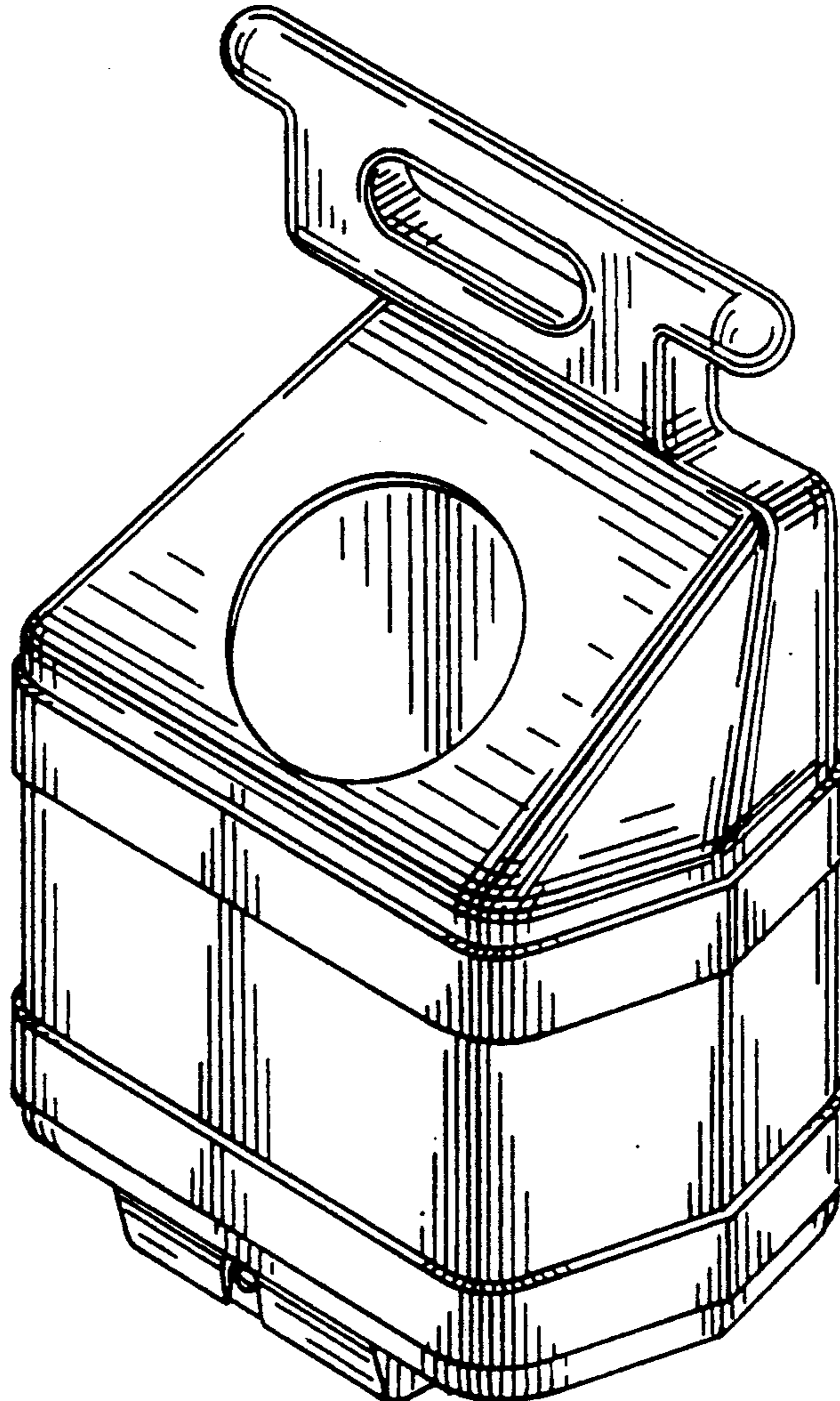
FIG. 2 is a front elevational view;

FIG. 3 is a left side elevational view thereof;

FIG. 4 is a rear elevational view;

FIG. 5 is a top plan view; and,

FIG. 6 is a bottom plan view.



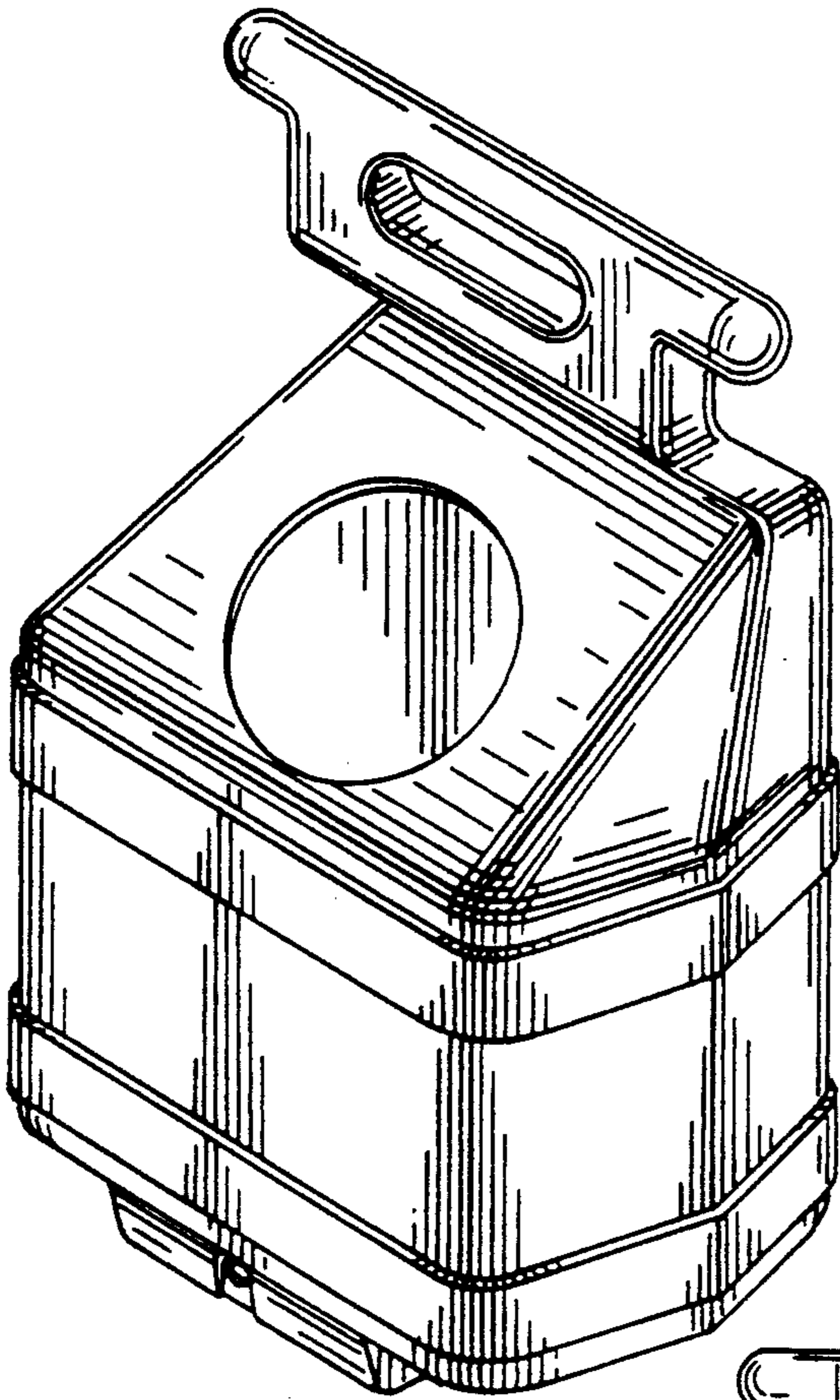


Fig. 1.

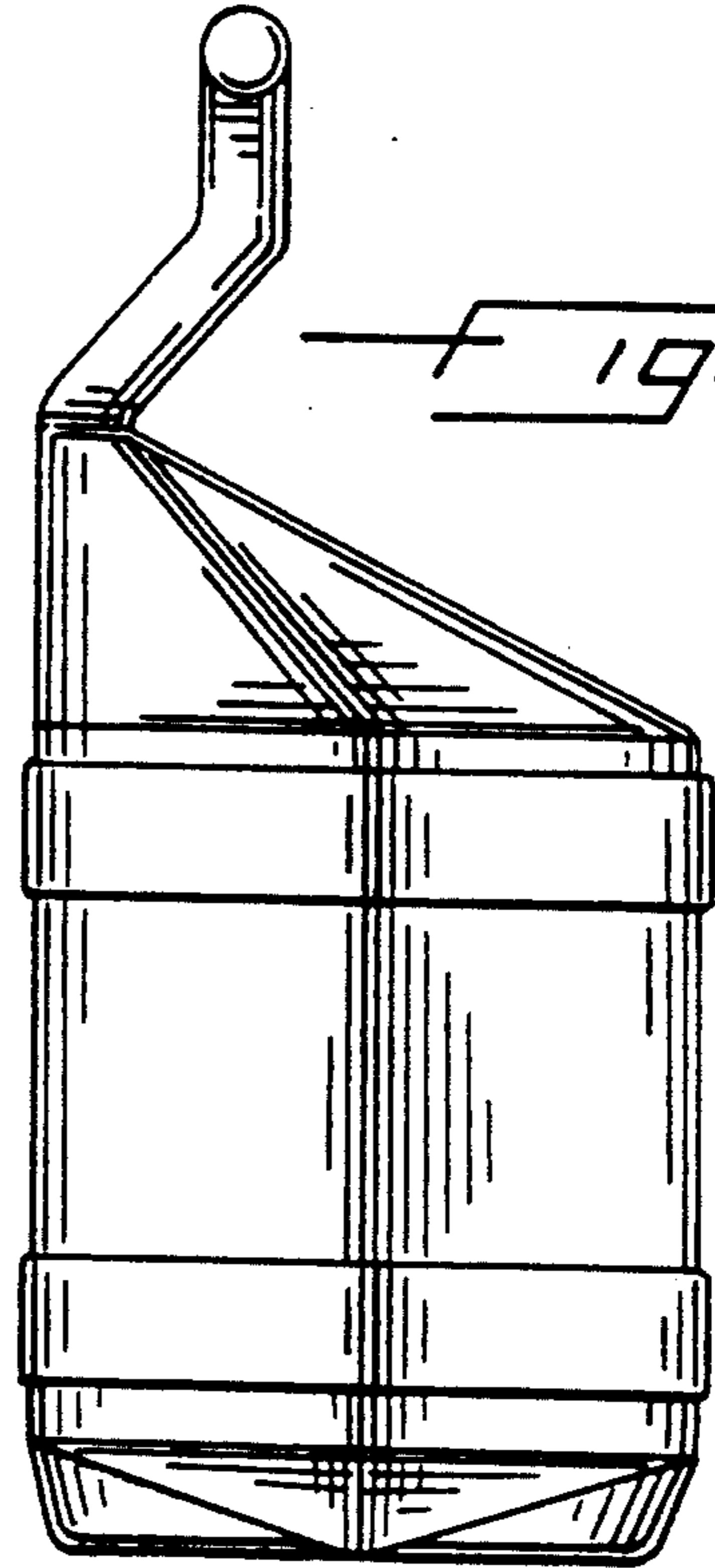


Fig. 3.

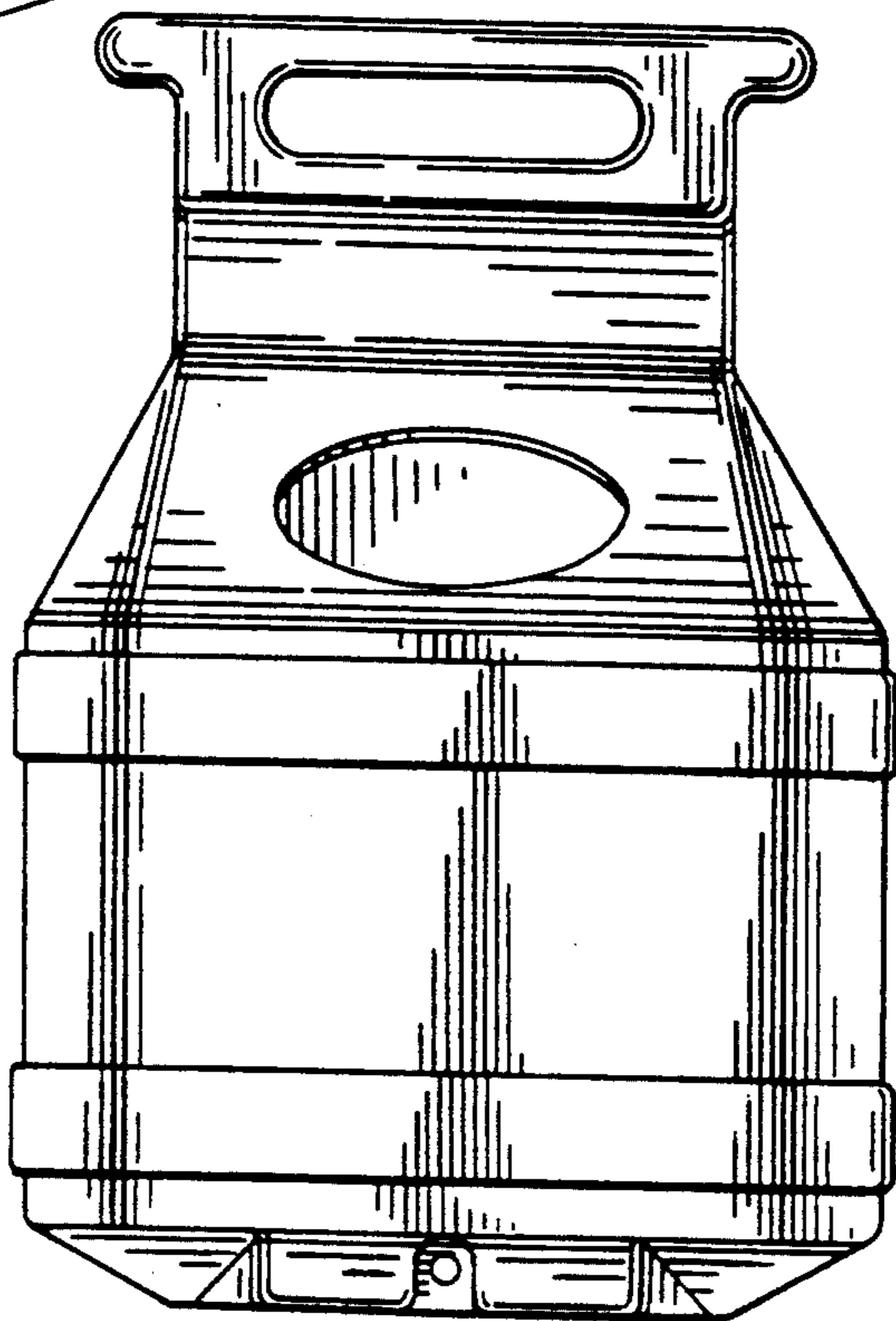


Fig. 2.

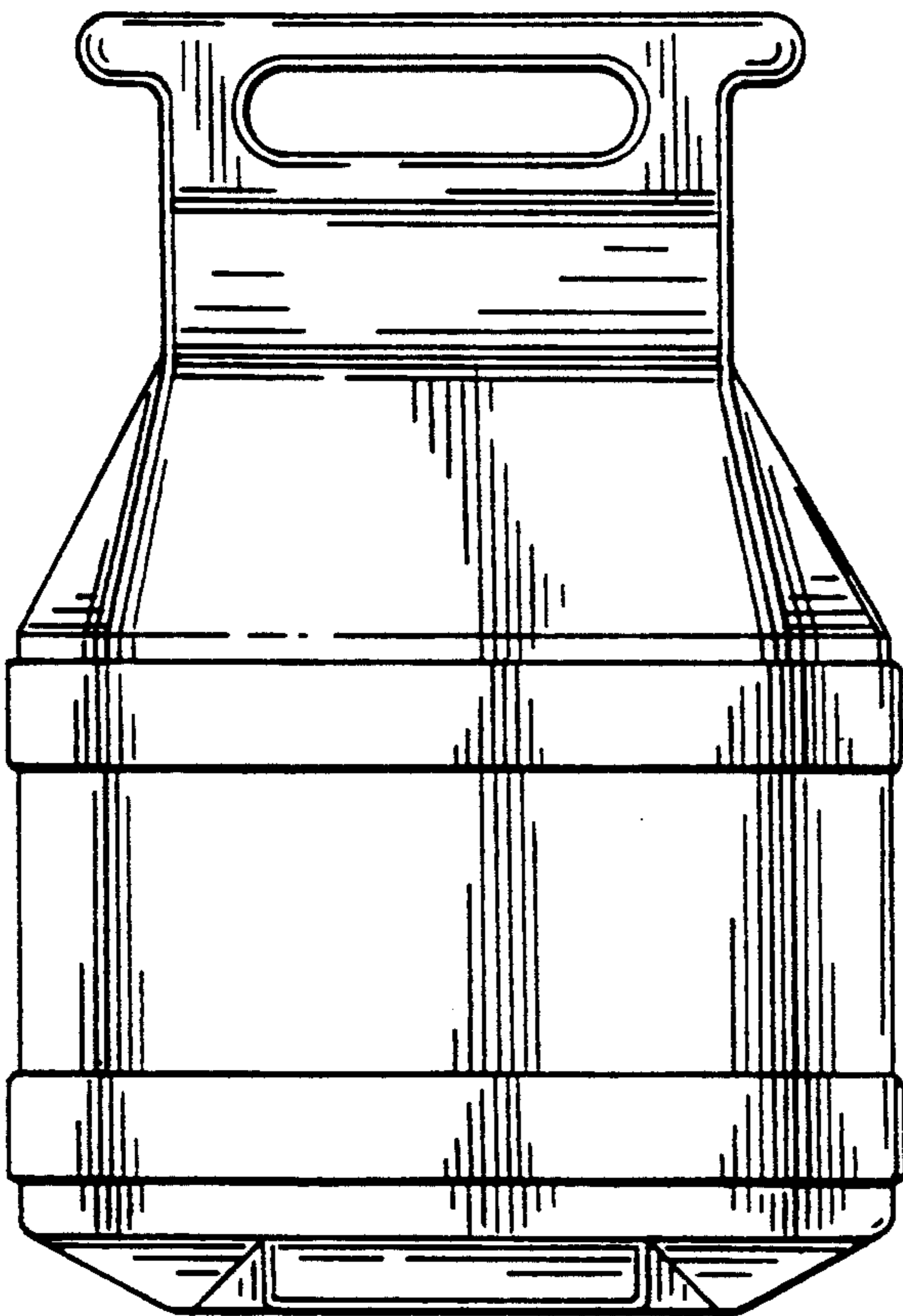


Fig. 4.

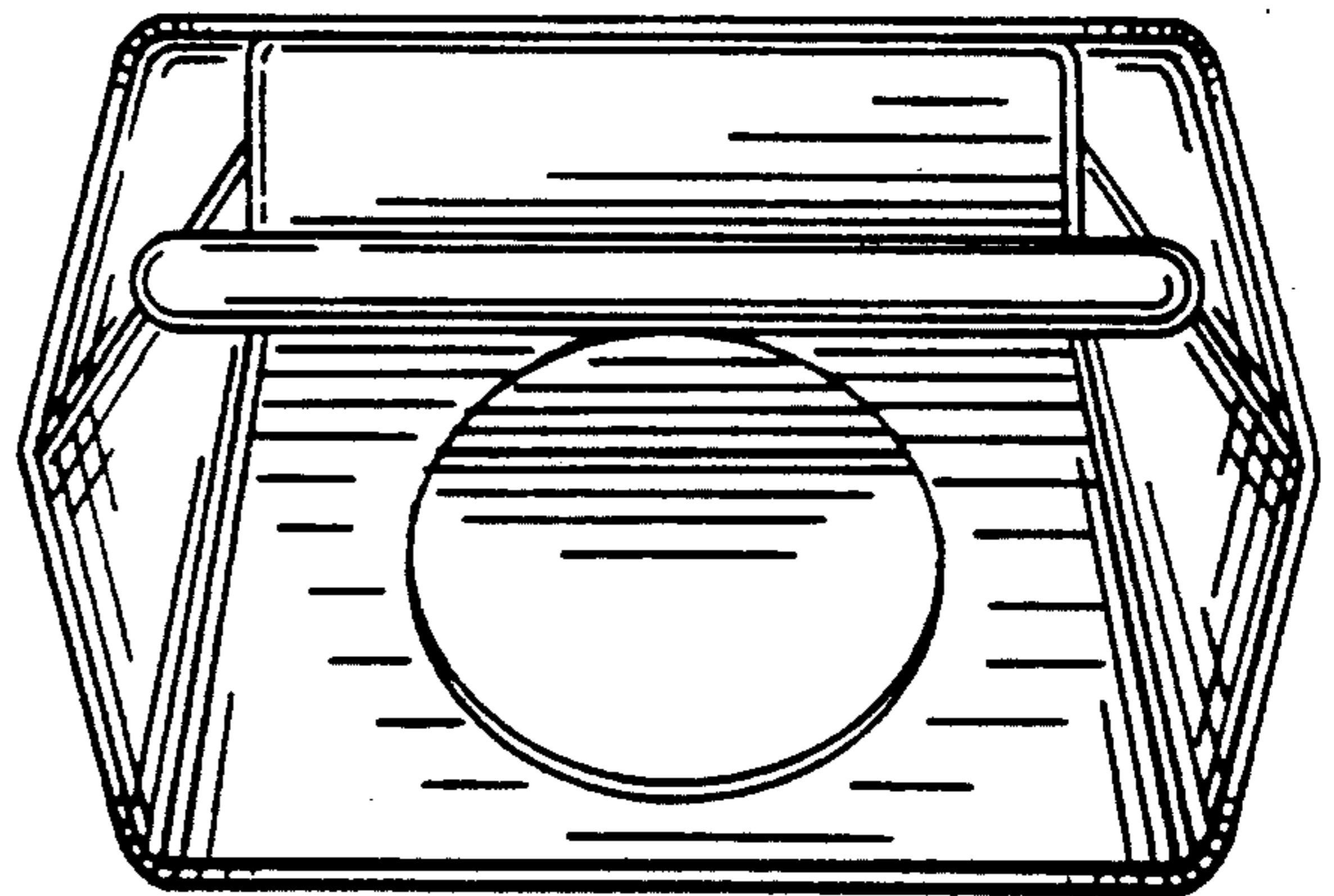


Fig. 5.

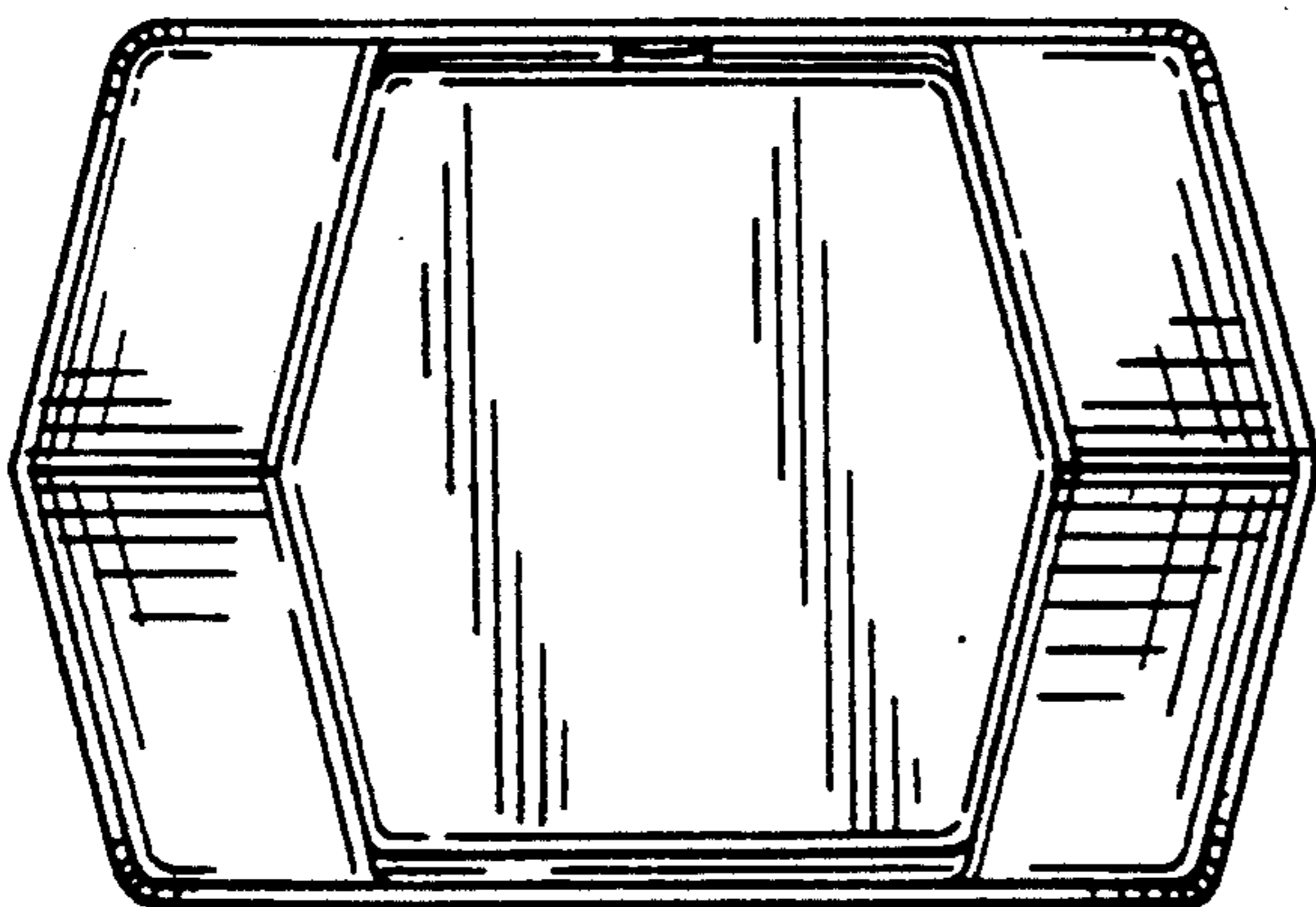


Fig. 6.