



US00D339360S

United States Patent [19]

[11] Patent Number: **Des. 339,360**

Takagi

[45] Date of Patent: **** Sep. 14, 1993**

[54] **INDUSTRIAL SEWING MACHINE**

4,441,443 4/1984 Hrovatin et al. 112/258

[75] Inventor: **Kaname Takagi**, Kitakawabe, Japan

OTHER PUBLICATIONS

[73] Assignee: **Newlong Machine Works, Ltd.**,
Tokyo, Japan

"Sew Business", Jun. 1975 p. 18, Sigma Sewing Machine, bottom.

[**] Term: **14 Years**

Primary Examiner—Bernard Ansher

[21] Appl. No.: **680,263**

Assistant Examiner—Sandra Morris

[22] Filed: **Apr. 4, 1991**

Attorney, Agent, or Firm—Lowe, Price, LeBlanc & Becker

[30] Foreign Application Priority Data

Feb. 22, 1991 [JP] Japan 3-4469

[52] U.S. Cl. **D15/69**

[58] Field of Search **D15/66-78;**
112/258-261, 262.1

[57] CLAIM

The ornamental design for an industrial sewing machine, as shown.

DESCRIPTION

FIG. 1 is a front view thereof;
FIG. 2 is a rear view thereof;
FIG. 3 is a top view thereof;
FIG. 4 is a bottom view thereof;
FIG. 5 is a left side view thereof;
FIG. 6 is a right side view thereof; and,
FIG. 7 is a perspective view thereof.

[56] References Cited

U.S. PATENT DOCUMENTS

D. 256,922 9/1980 Haak et al. D15/70

D. 308,973 7/1990 Gotou D15/69

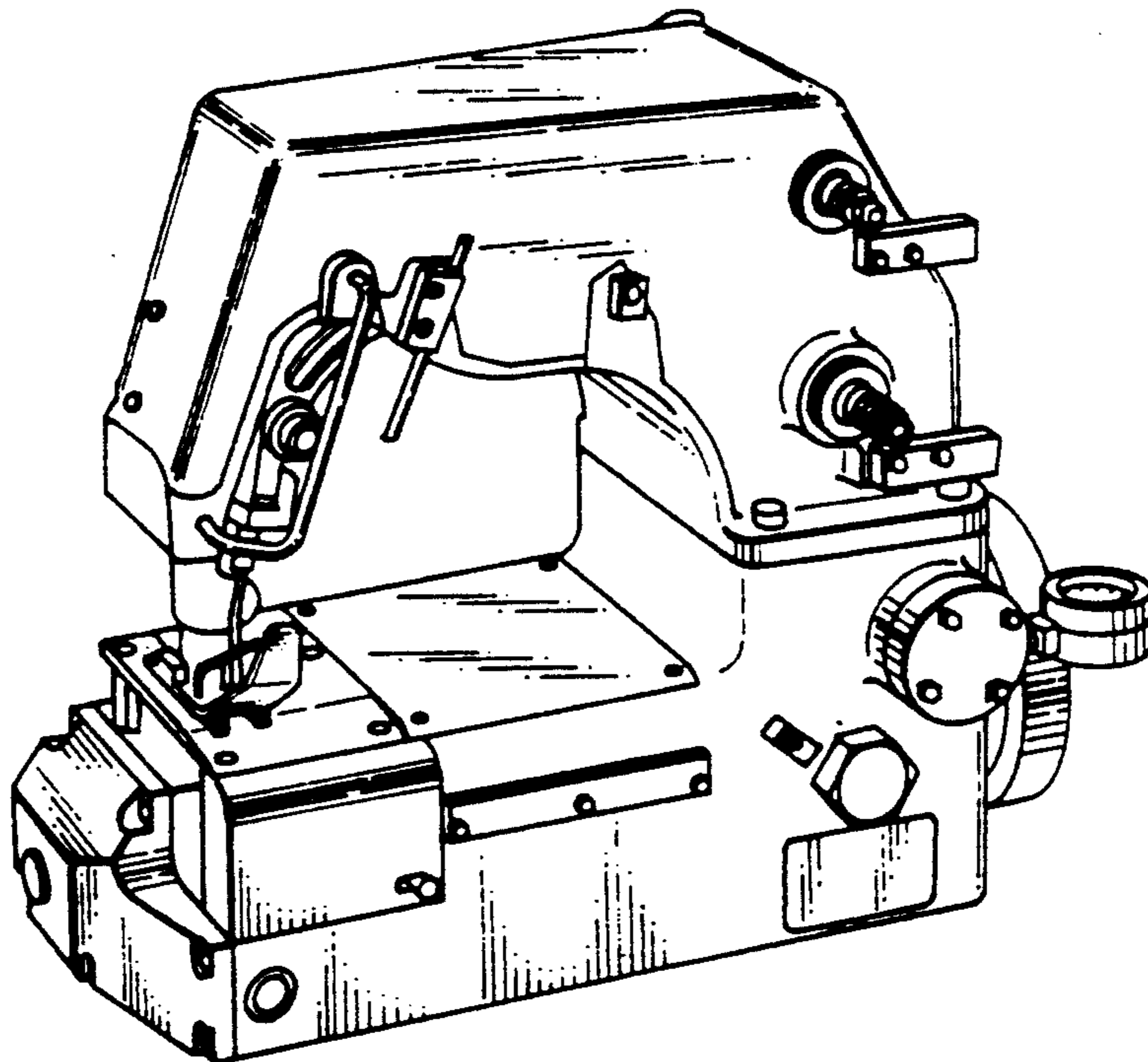


FIG. 1

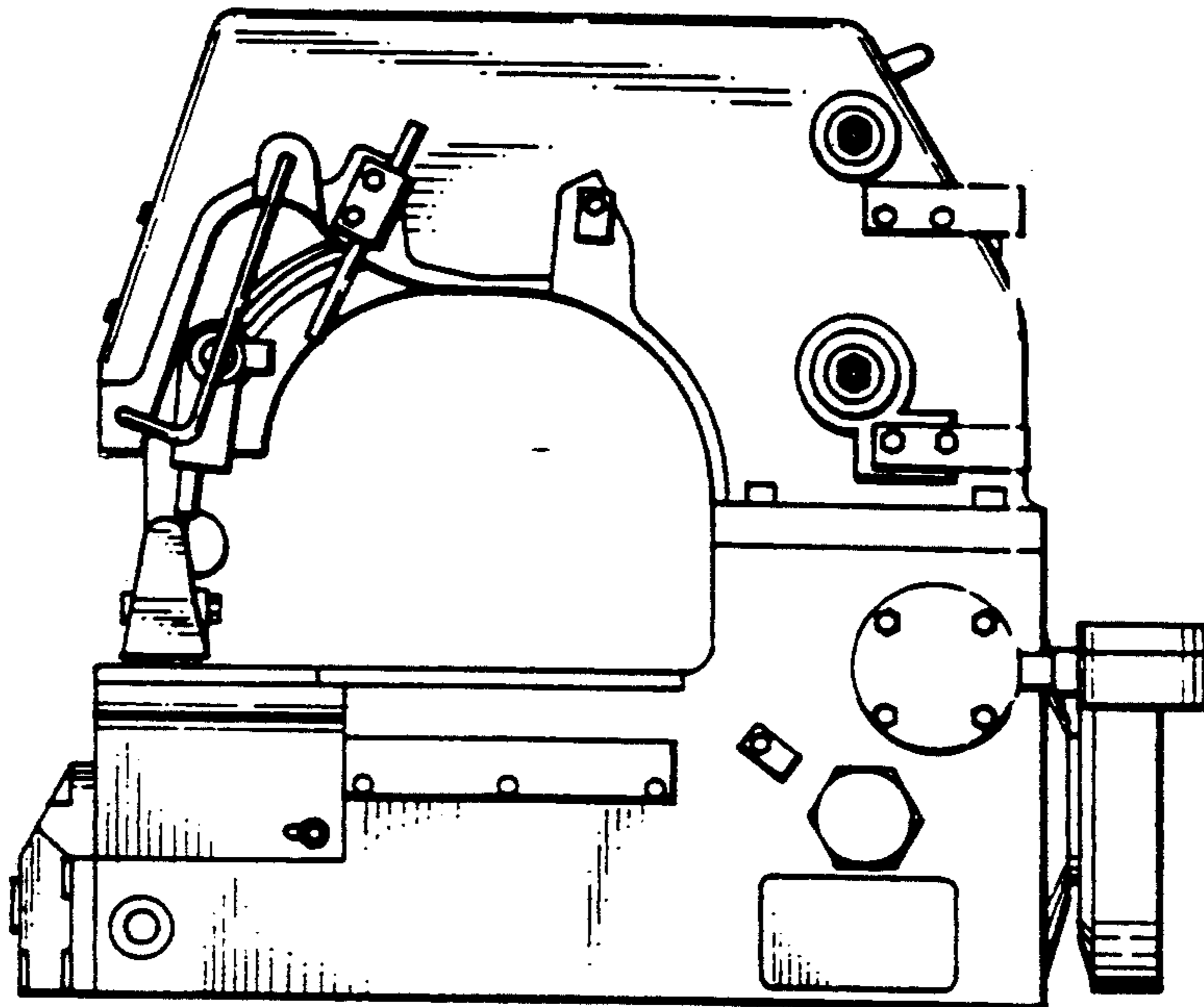


FIG. 2

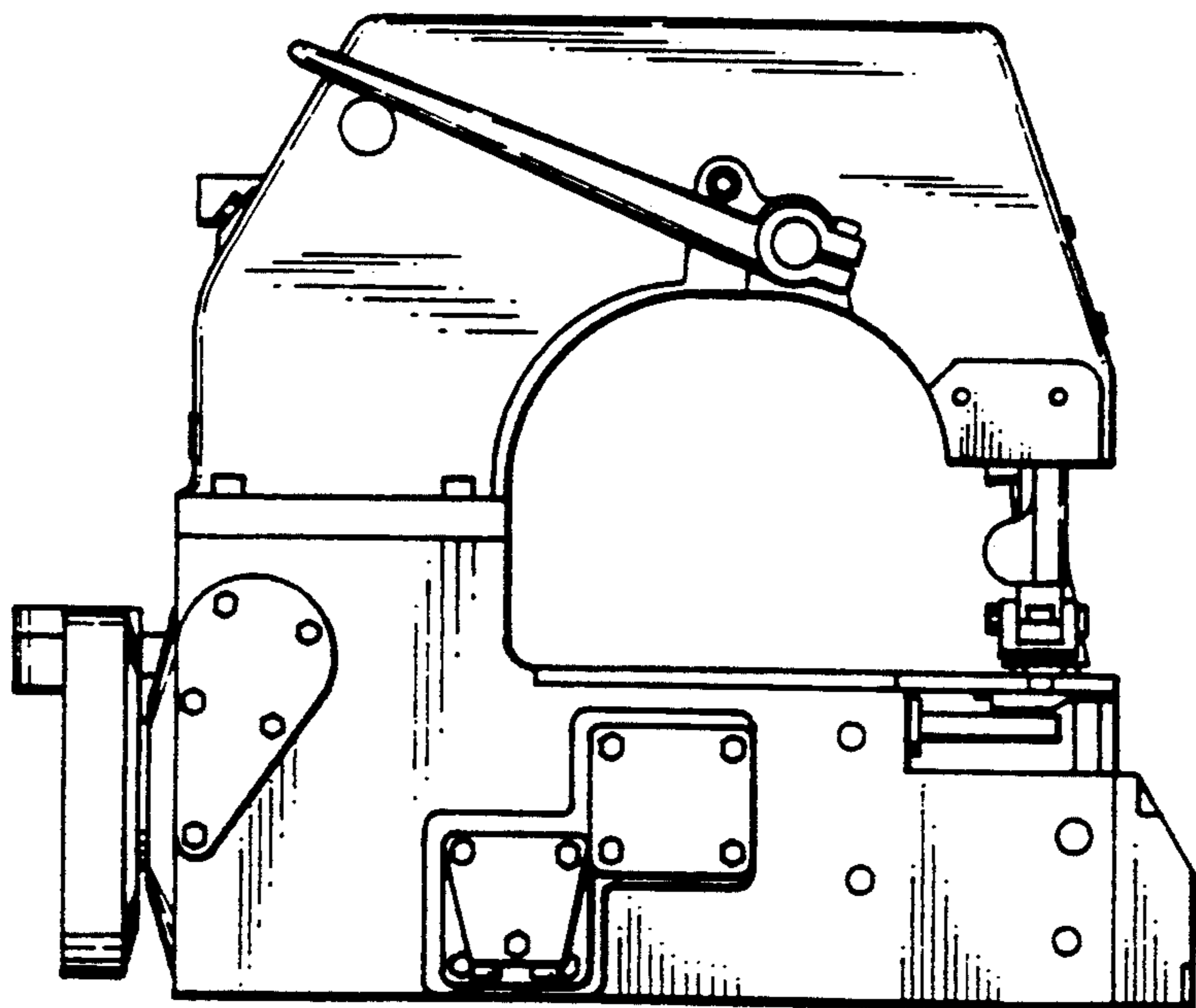


FIG. 3

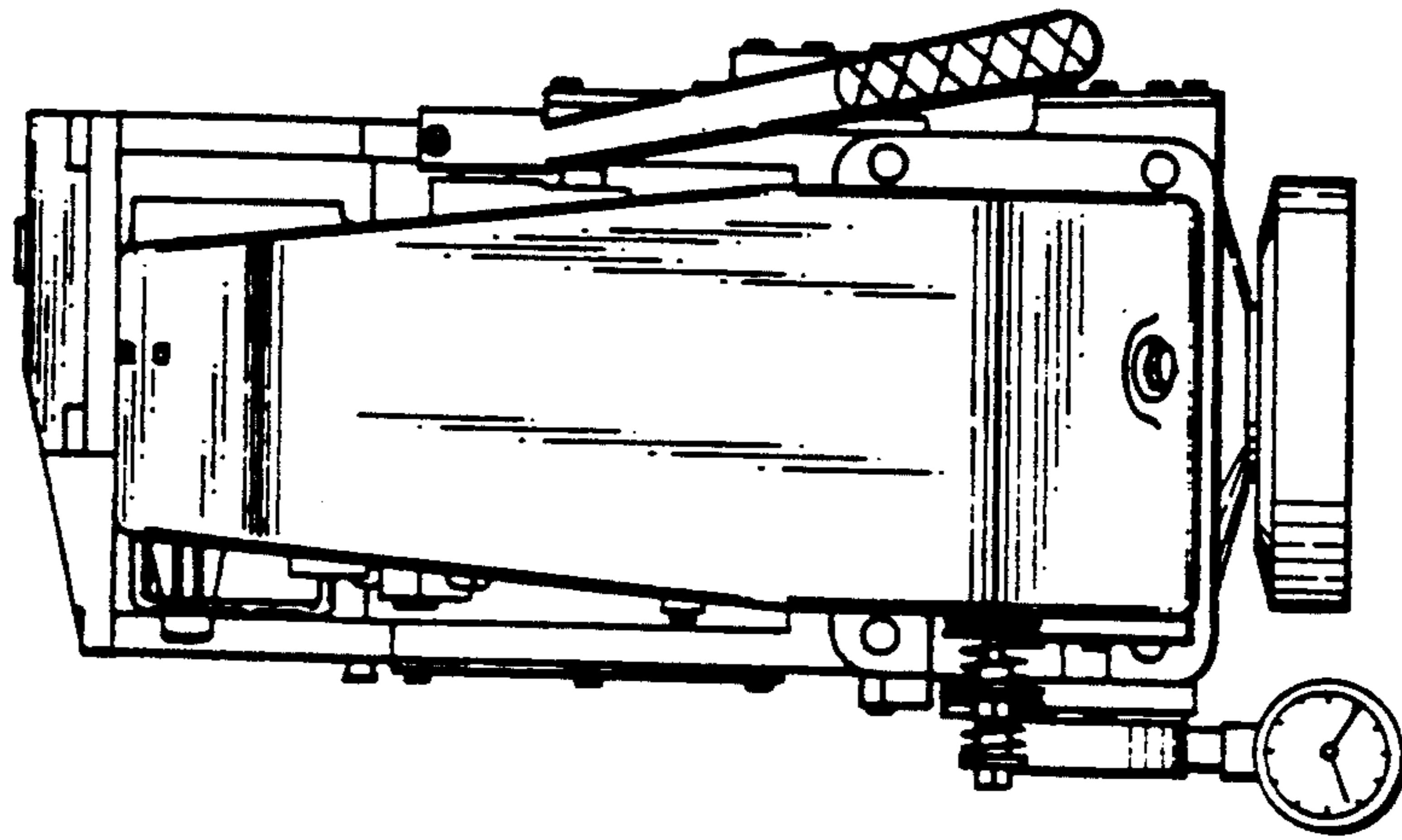


FIG. 4

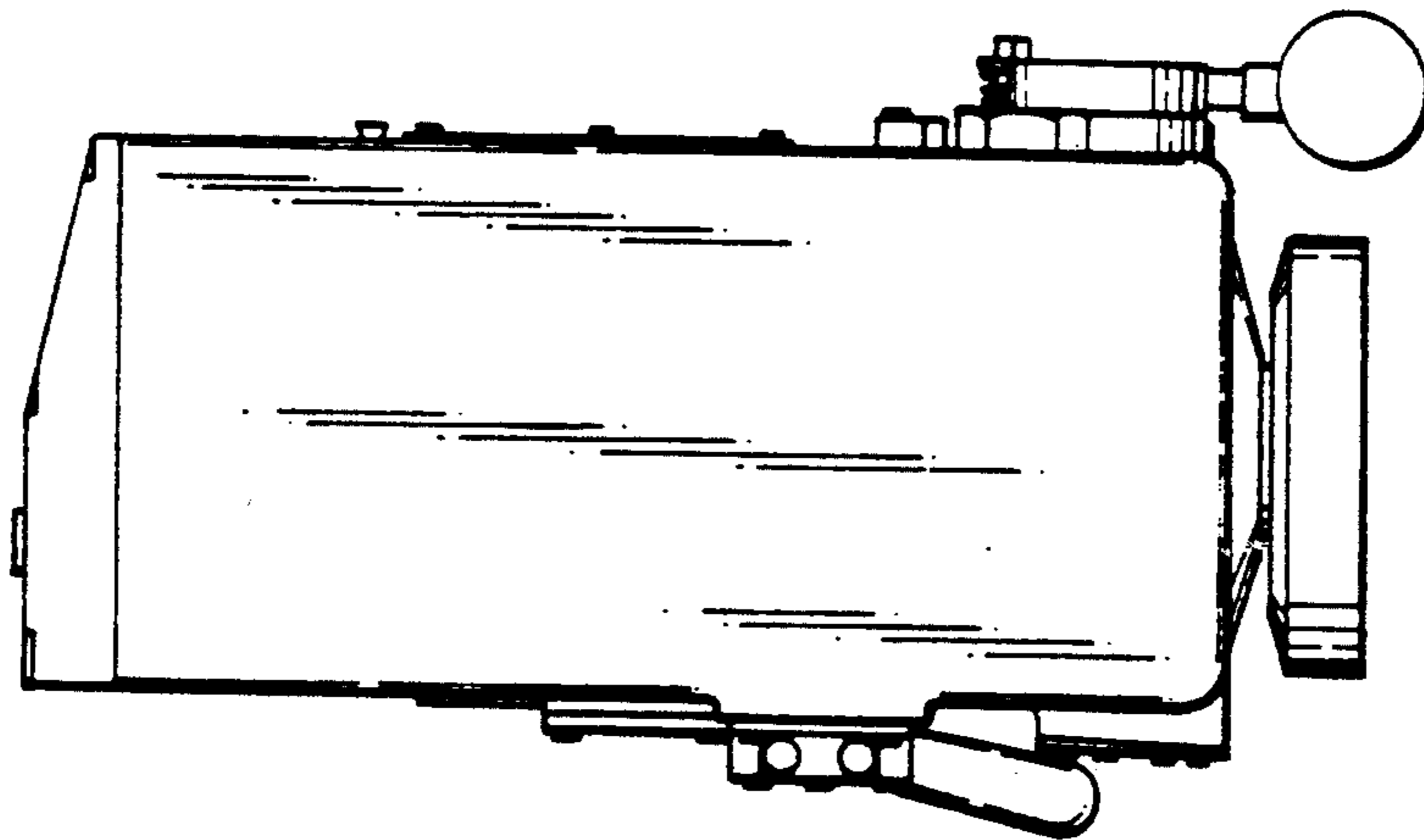


FIG. 5

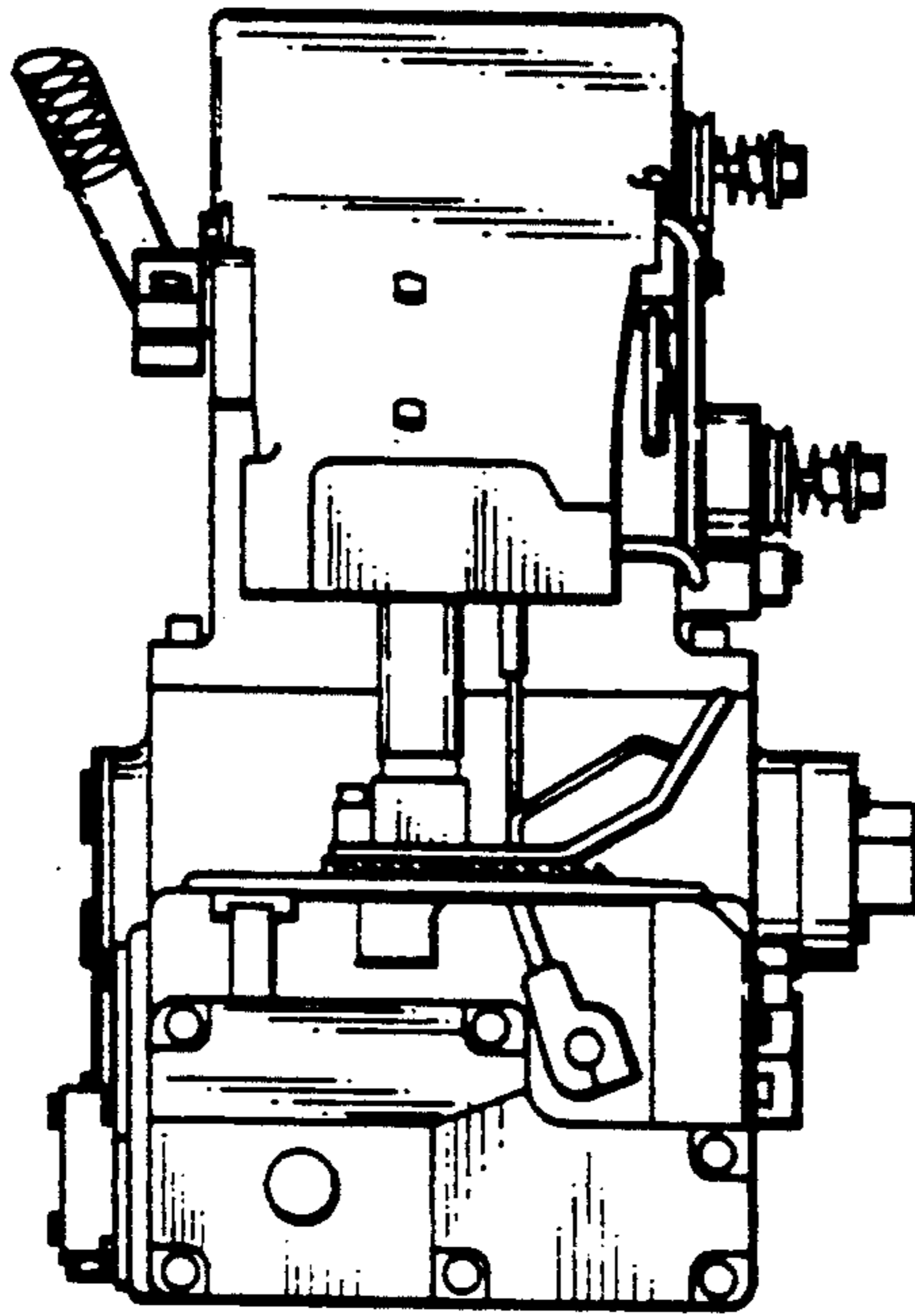


FIG. 6

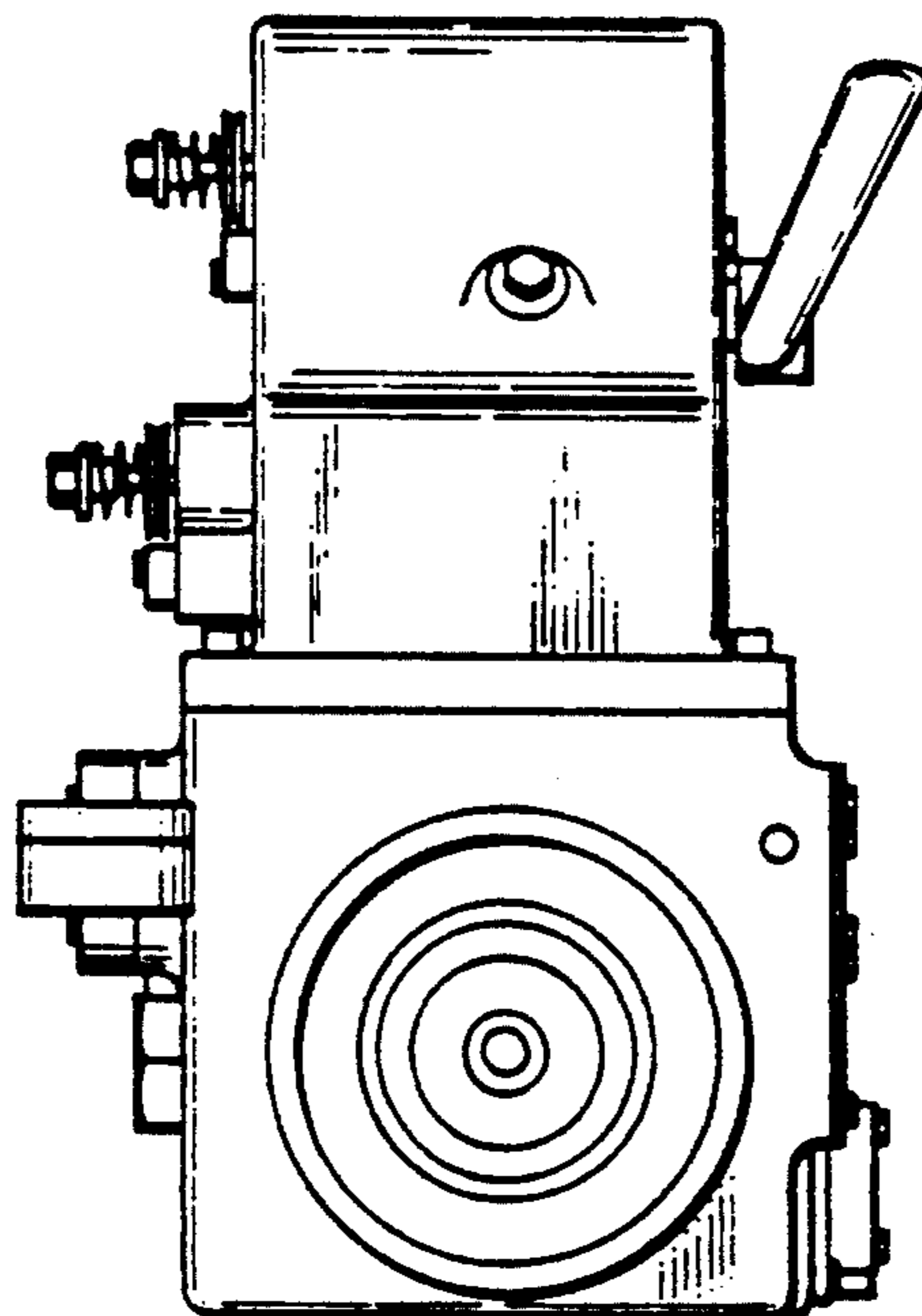


FIG. 7

