



US00D339359S

United States Patent [19]

[11] Patent Number: Des. 339,359

Scholl

[45] Date of Patent: ** Sep. 14, 1993

[54] COMBINED BLEACHING AND DYEING TEXTILE FABRIC APPARATUS

FOREIGN PATENT DOCUMENTS

[75] Inventor: Marc Scholl, Elon College, N.C.

0735947 8/1955 United Kingdom

[73] Assignee: Scholl America, Inc., Graham, N.C.

Primary Examiner—Bernard Ansher
Assistant Examiner—Sandra Morris
Attorney, Agent, or Firm—Ralph H. Dougherty

[**] Term: 14 Years

[57] CLAIM

[21] Appl. No.: 557,496

The ornamental design for a combined bleaching and dyeing textile fabric apparatus for bleaching and dyeing textile fabrics, or the like, as shown and described.

[22] Filed: Jul. 24, 1990

DESCRIPTION

[52] U.S. Cl. D15/66

[58] Field of Search D15/66-78;
8/152, 157, 158; 28/169; 68/5 C, 5 D, 12.07,
12.13, 18 R, 178, 207

FIG. 1 is a perspective view of the combined bleaching and dyeing textile fabric apparatus, showing my new design, the fabric and containers shown in broken lines are for illustrative purposes only, and forms no part of the claimed design;

FIG. 2 is another perspective view thereof;

FIG. 3 is a front elevational view thereof;

FIG. 4 is a top plan view thereof;

FIG. 5 is a right side elevational view thereof;

FIG. 6 is a rear elevational view thereof;

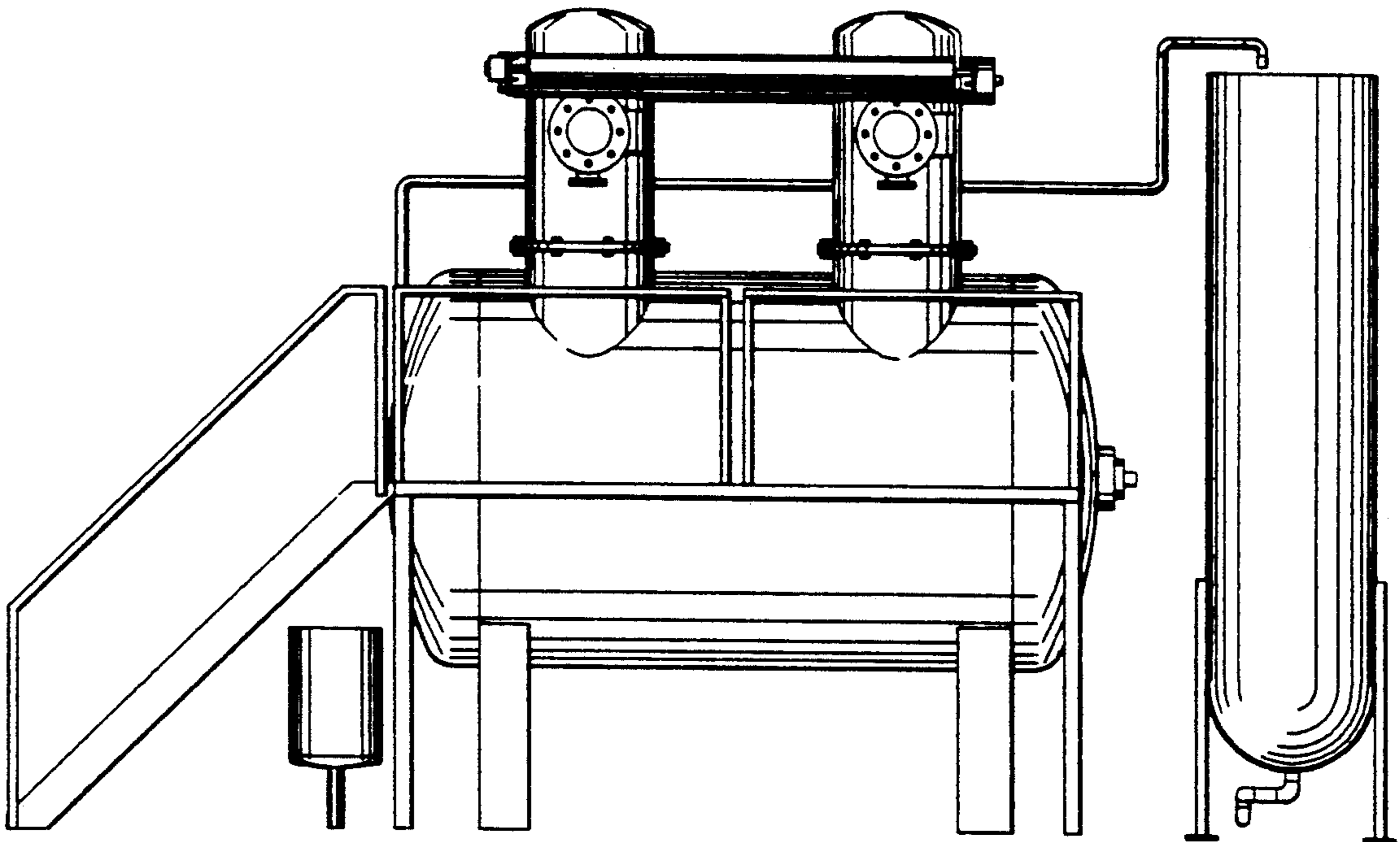
FIG. 7 is a bottom plan view thereof; and,

FIG. 8 is a left side elevational view thereof.

[56] References Cited

U.S. PATENT DOCUMENTS

| | | | |
|-----------|--------|--------------|--------|
| 3,510,251 | 5/1970 | Fujii et al. | 8/152 |
| 3,788,809 | 1/1974 | Carpenter | 8/152 |
| 4,020,658 | 5/1977 | Thies, Jr. | 68/5 C |
| 4,928,338 | 5/1990 | Magin | 8/158 |



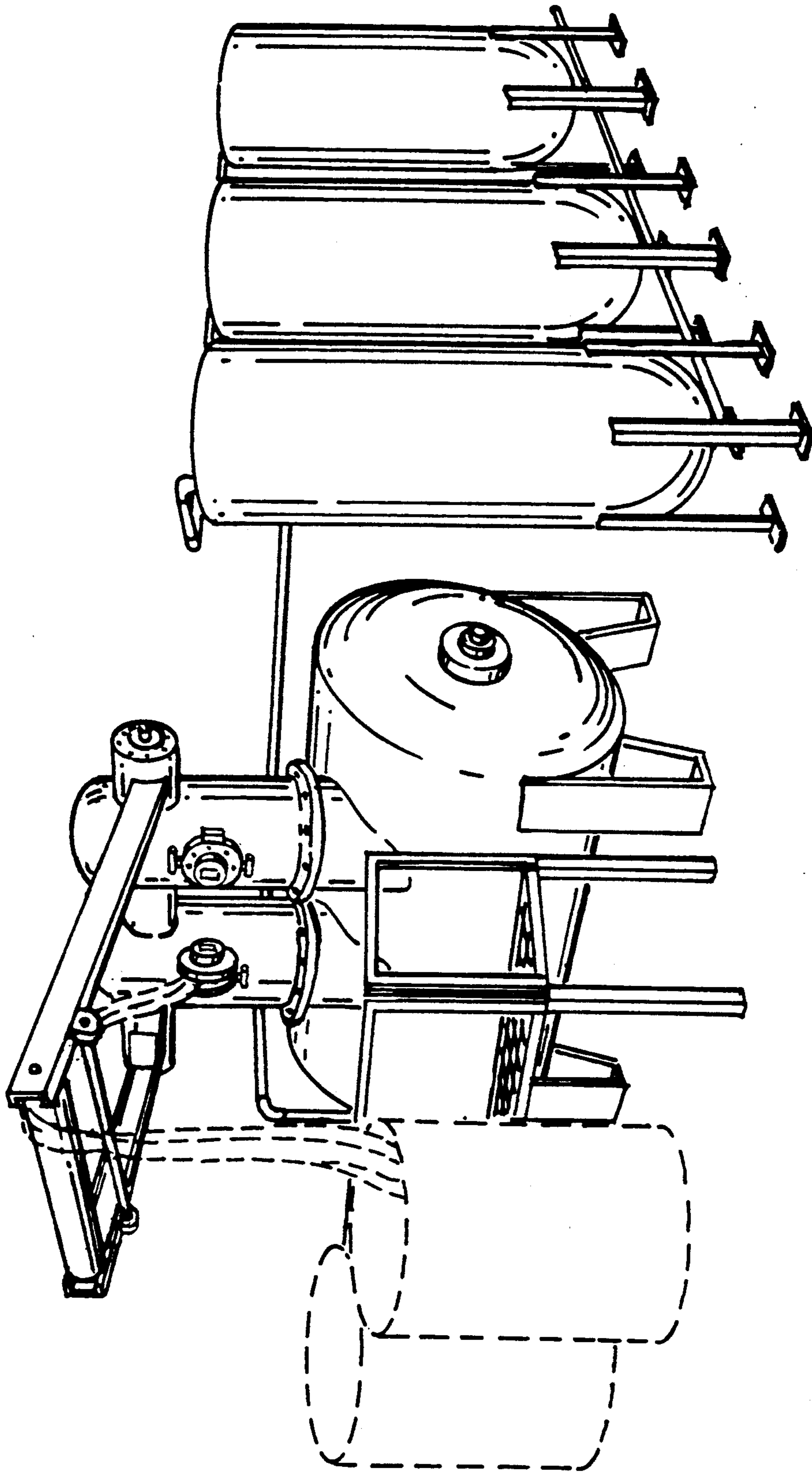


Fig. 1

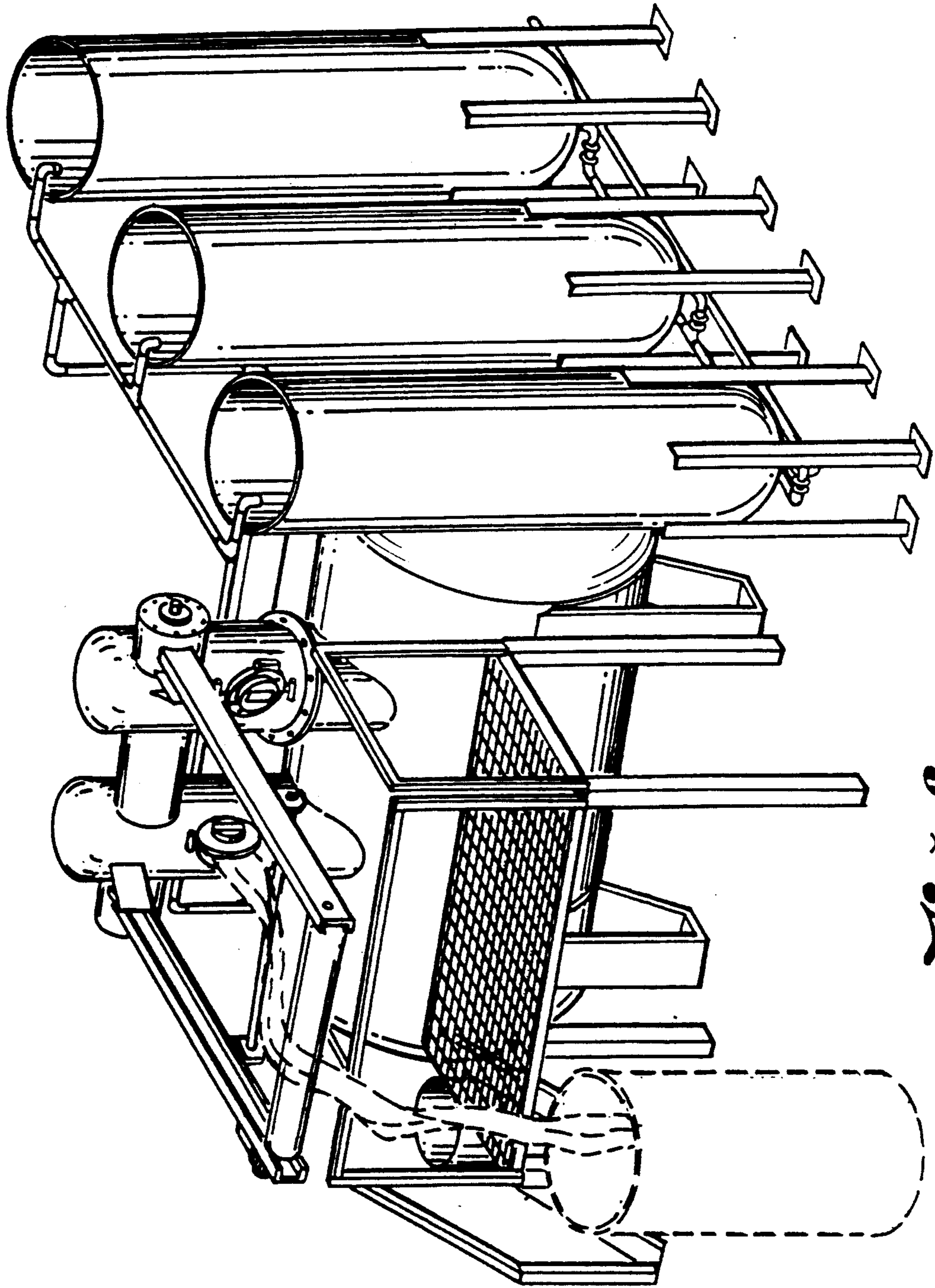


Fig. 2

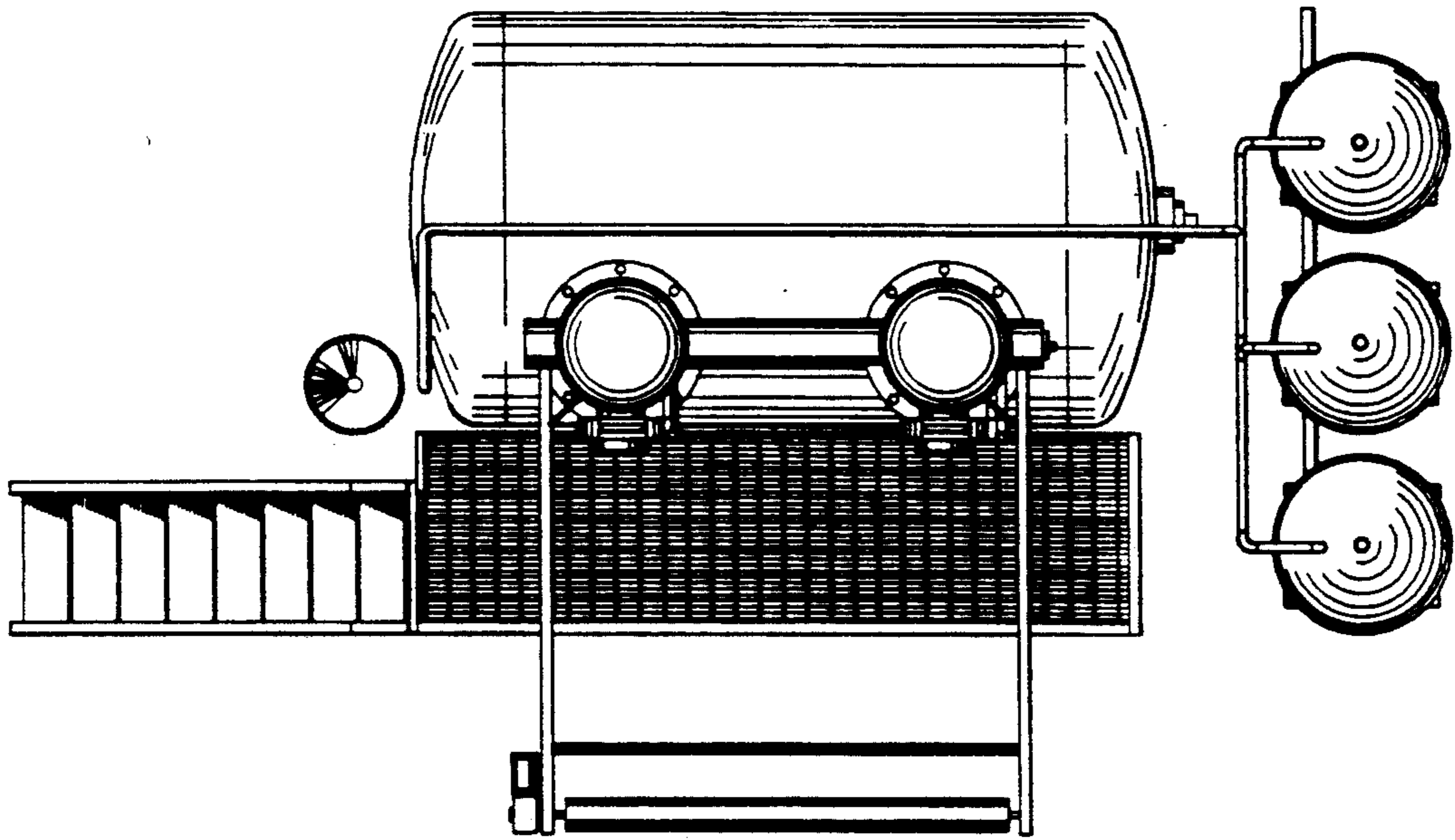


Fig. 4

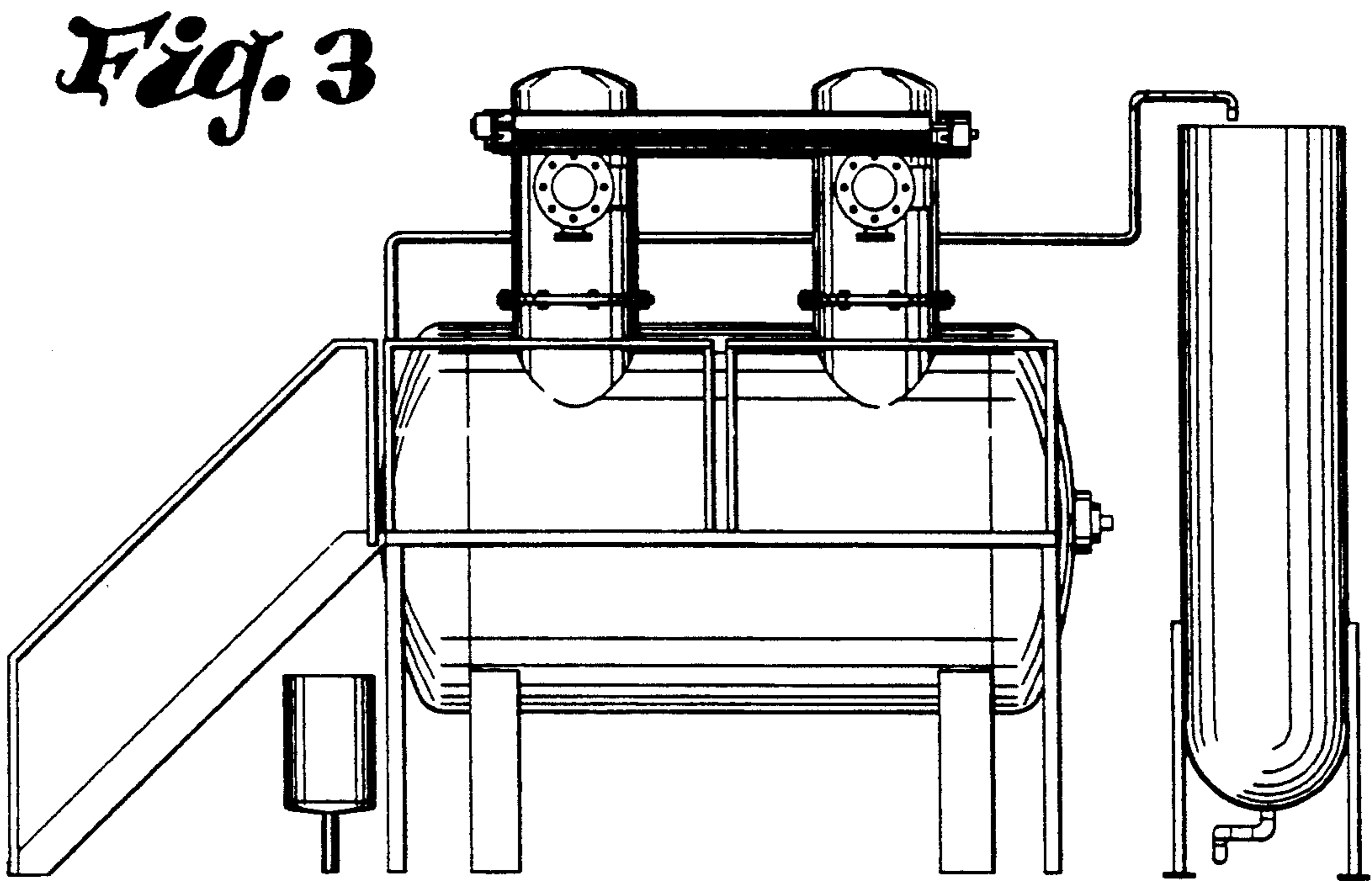


Fig. 3

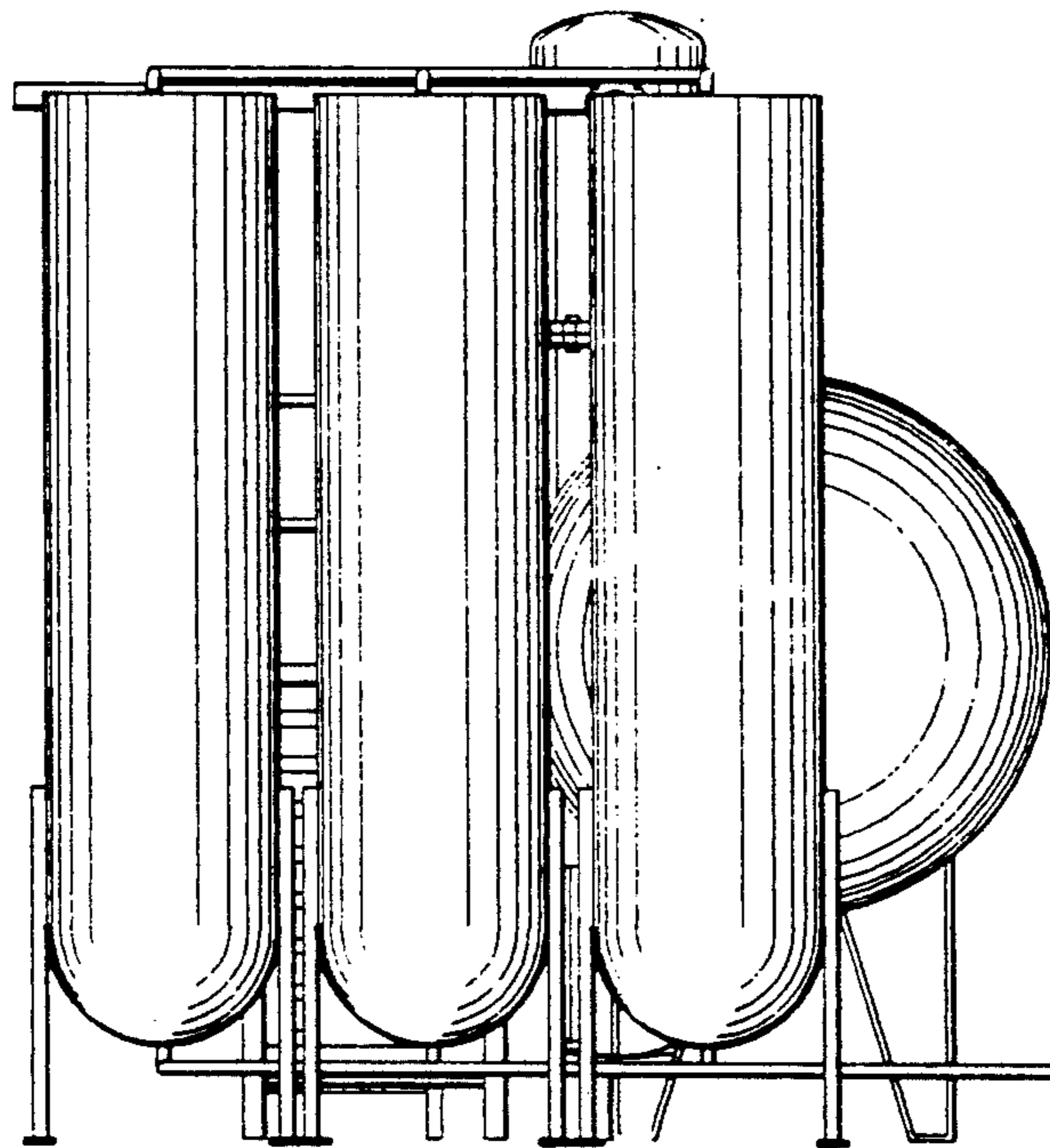


Fig. 5

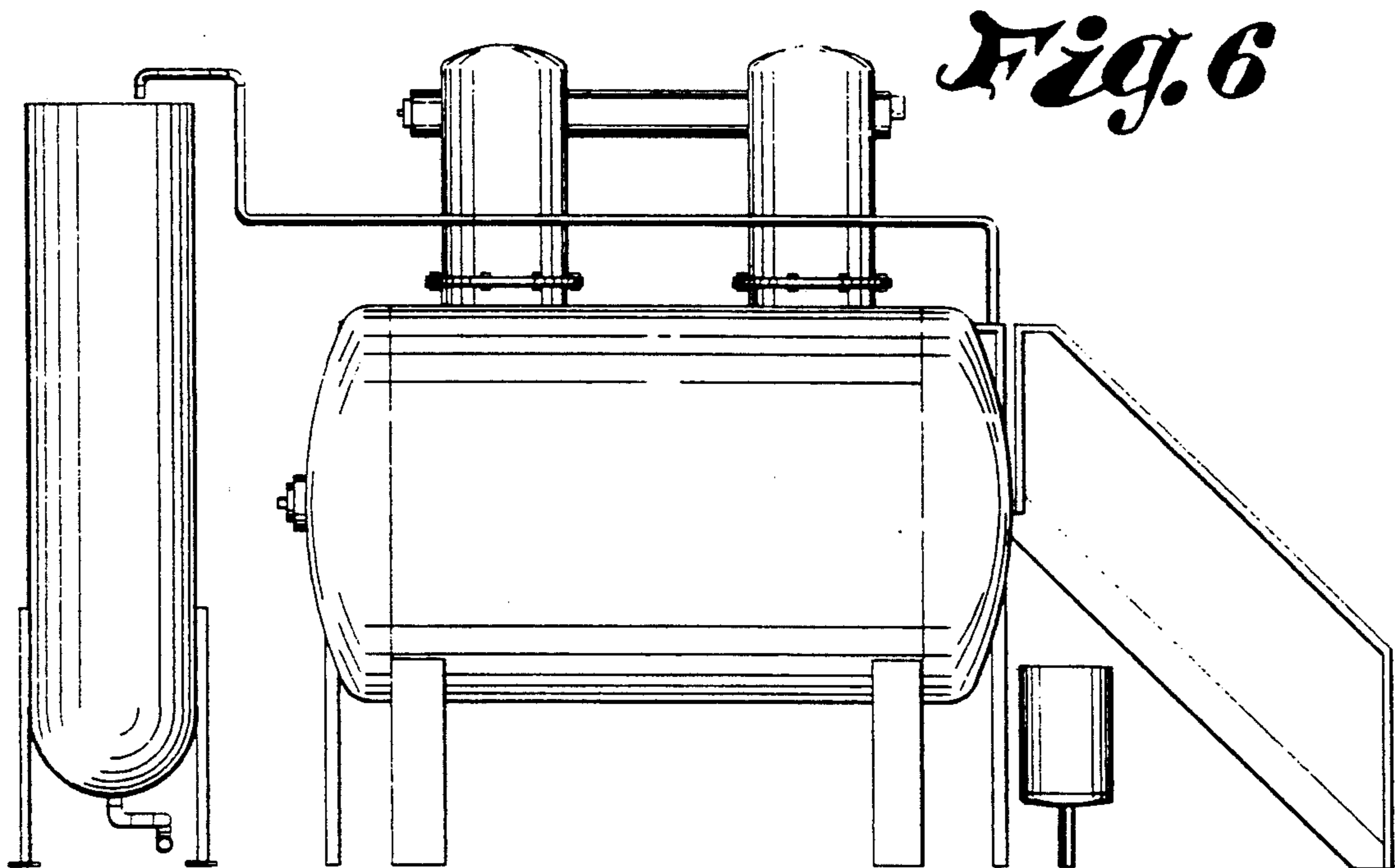


Fig. 6

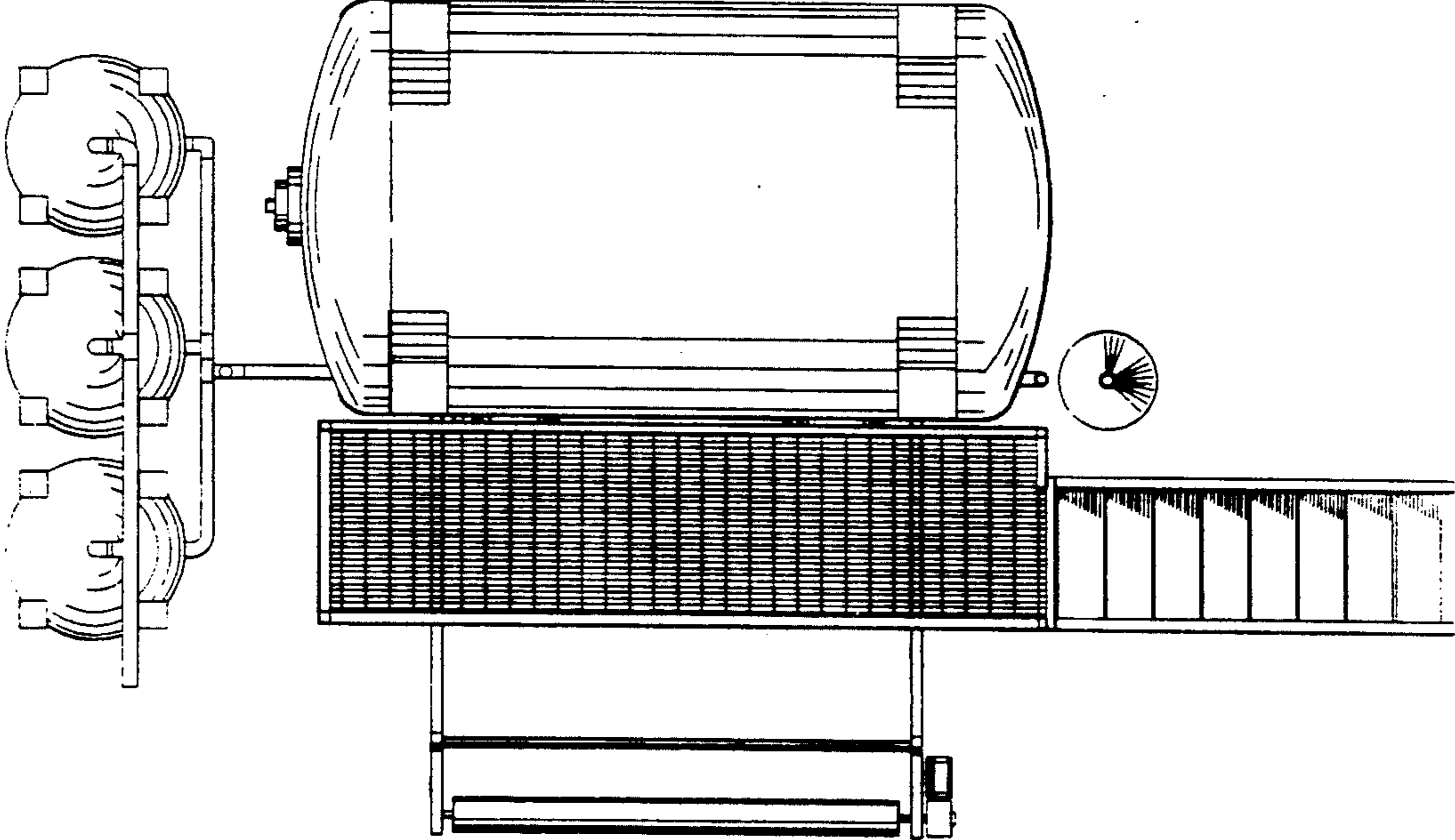


Fig. 7

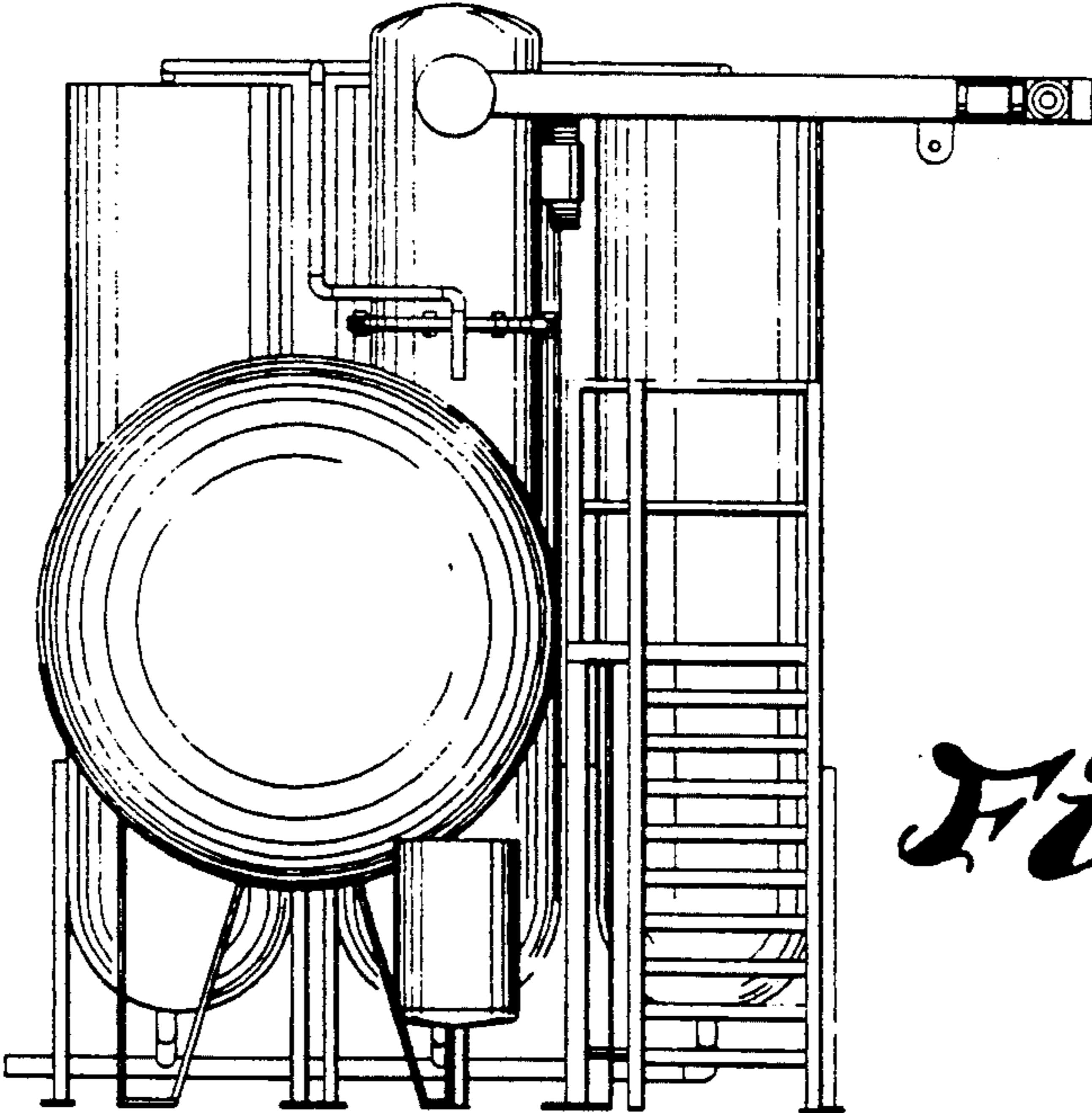


Fig. 8