



US00D339355S

# United States Patent [19]

[11] Patent Number: **Des. 339,355**

Burris et al.

[45] Date of Patent: **\*\* Sep. 14, 1993**

## [54] TELEPHONE HEADSET

[75] Inventors: **Christine Burris, Santa Cruz;**  
**Wolfgang W. Jensen, Aptos, both of Calif.**

[73] Assignee: **ACS Communications, Scotts Valley, Calif.**

[\*\*] Term: **14 Years**

[21] Appl. No.: **660,868**

[22] Filed: **Feb. 26, 1991**

[52] U.S. Cl. .... **D14/249; D14/206**

[58] Field of Search ..... **D14/249, 248, 240, 205, D14/206; 379/368, 430, 433, 431; 381/183**

## [56] References Cited

### U.S. PATENT DOCUMENTS

D. 309,306	7/1990	Weiser et al. ....	D14/249
D. 327,265	6/1992	Tasey .....	D14/138
D. 327,888	7/1992	Fitzgerald .....	D14/138 X
D. 331,057	11/1992	Isonaga .....	D14/205
4,821,318	4/1989	Wu .....	379/430
5,003,589	3/1991	Chen .....	379/433

## OTHER PUBLICATIONS

Inbound/Outbound, May, 1988, p. 56, headset at lower left.

*Primary Examiner*—Alan P. Douglas  
*Assistant Examiner*—Jeffrey Asch  
*Attorney, Agent, or Firm*—Limbach & Limbach

## [57] CLAIM

The ornamental design for the telephone headset, as shown and described.

## DESCRIPTION

FIG. 1 is a perspective view of a telephone headset showing our new design;

FIG. 2 is a side elevational view taken from the left side of FIG. 1, with the right-hand side view being the same;

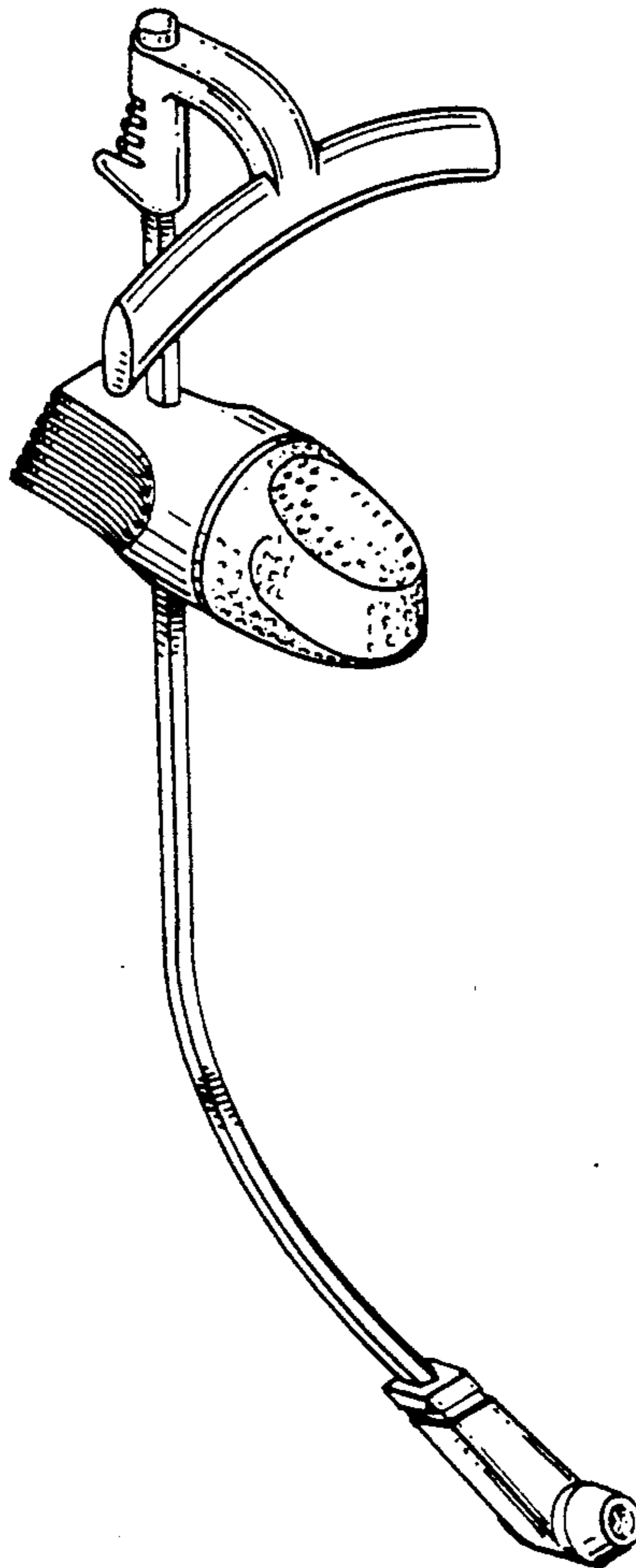
FIG. 3 is a top plan view thereof;

FIG. 4 is an end elevational view thereof;

FIG. 5 is an elevational view of the other end thereof; and,

FIG. 6 is a bottom plan view thereof.

The broken line fragmentary showing of a phone cord in FIG. 2 is for illustrative purposes only.



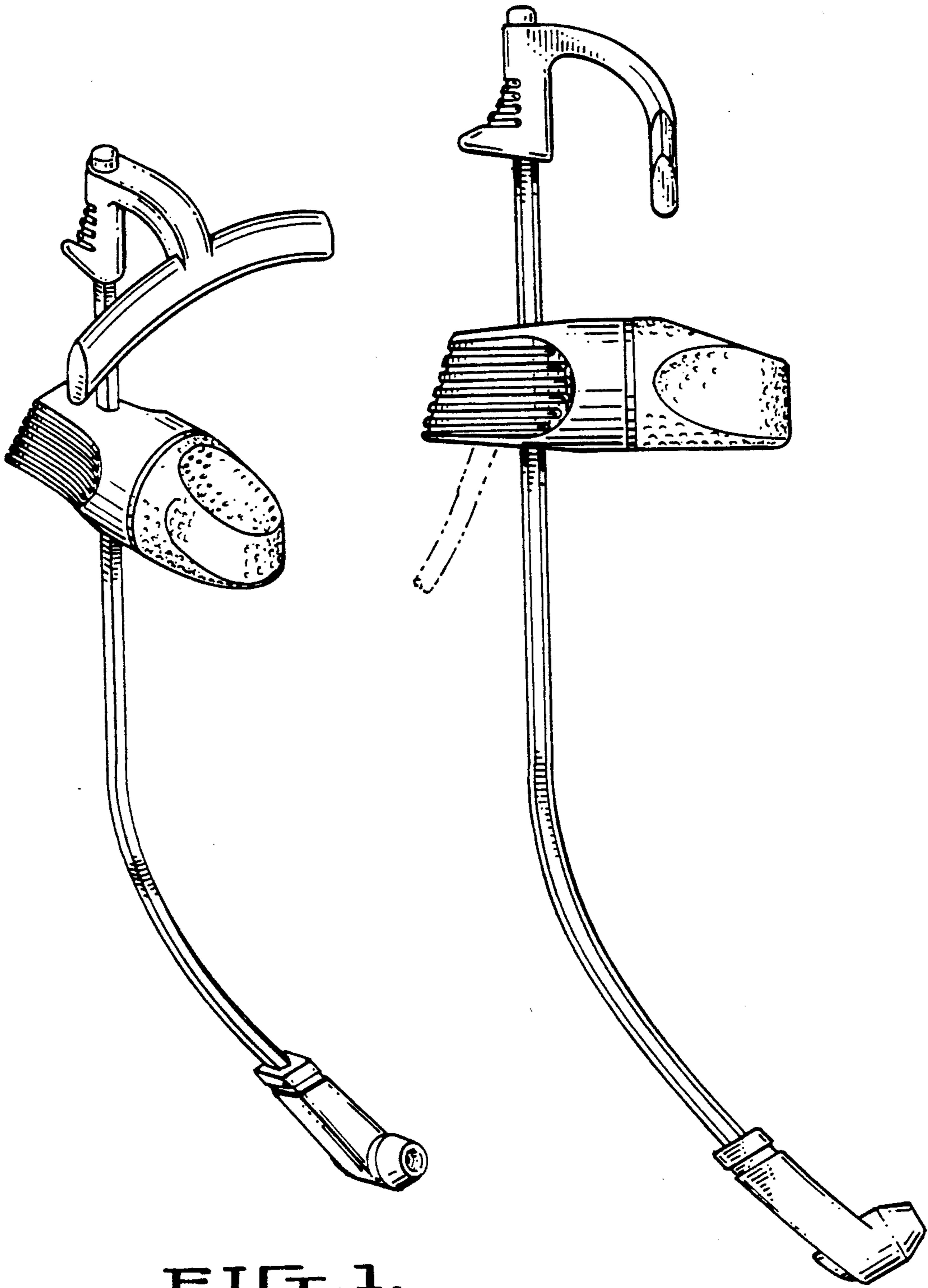


FIG. 1.

FIG. 2

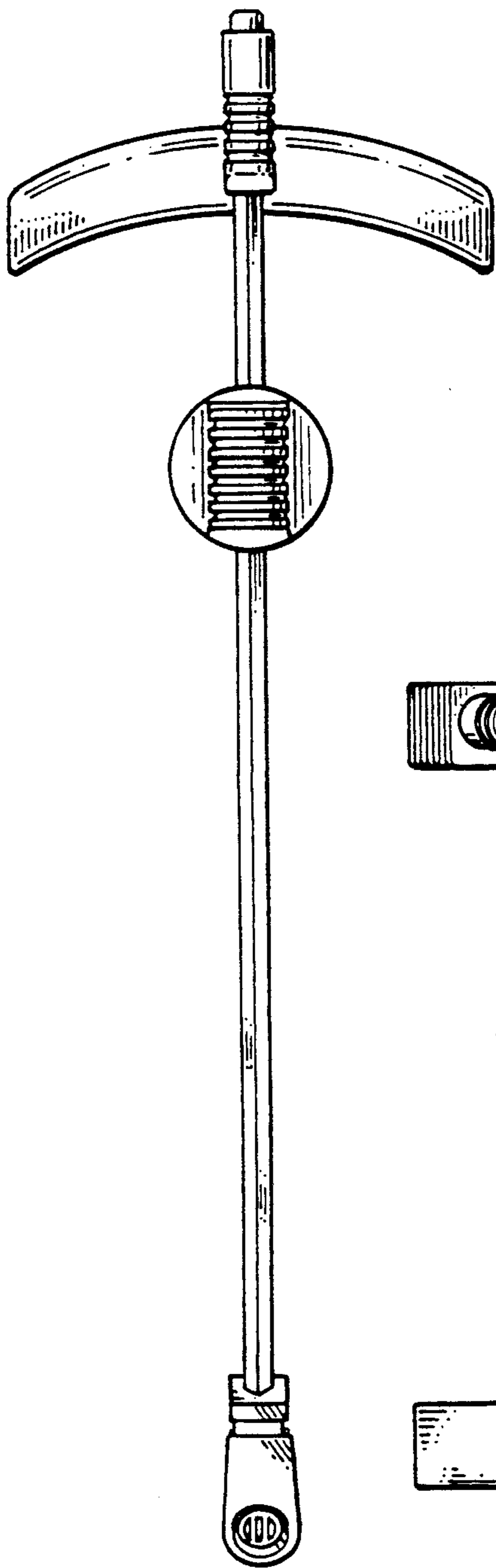


FIG. 4.

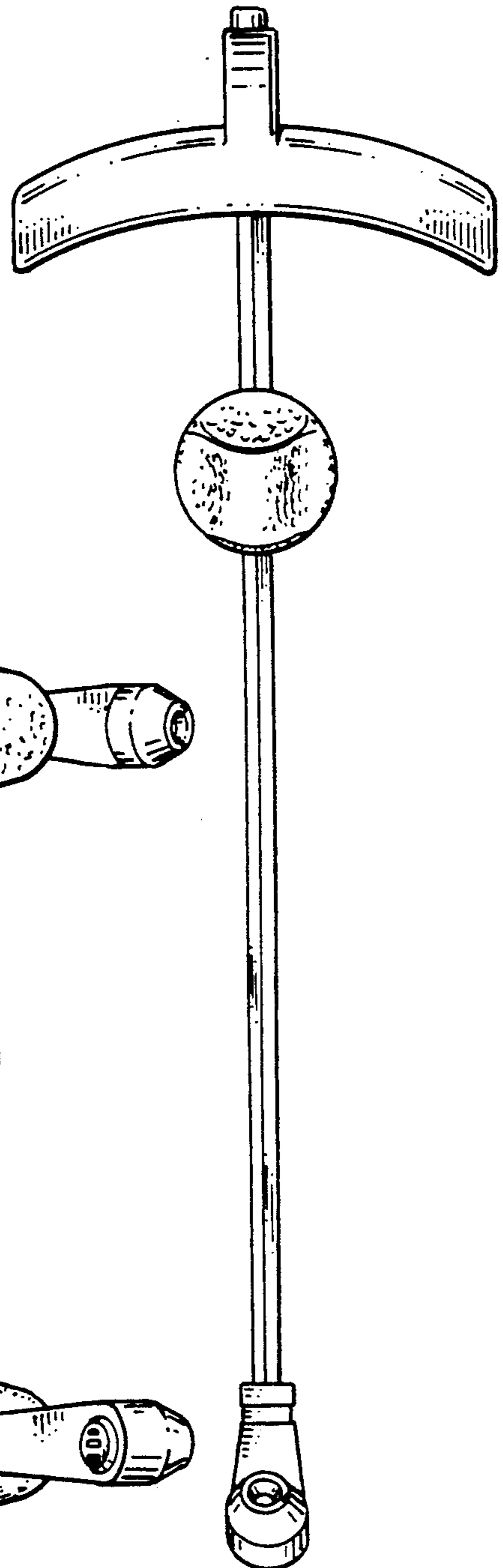


FIG. 5.

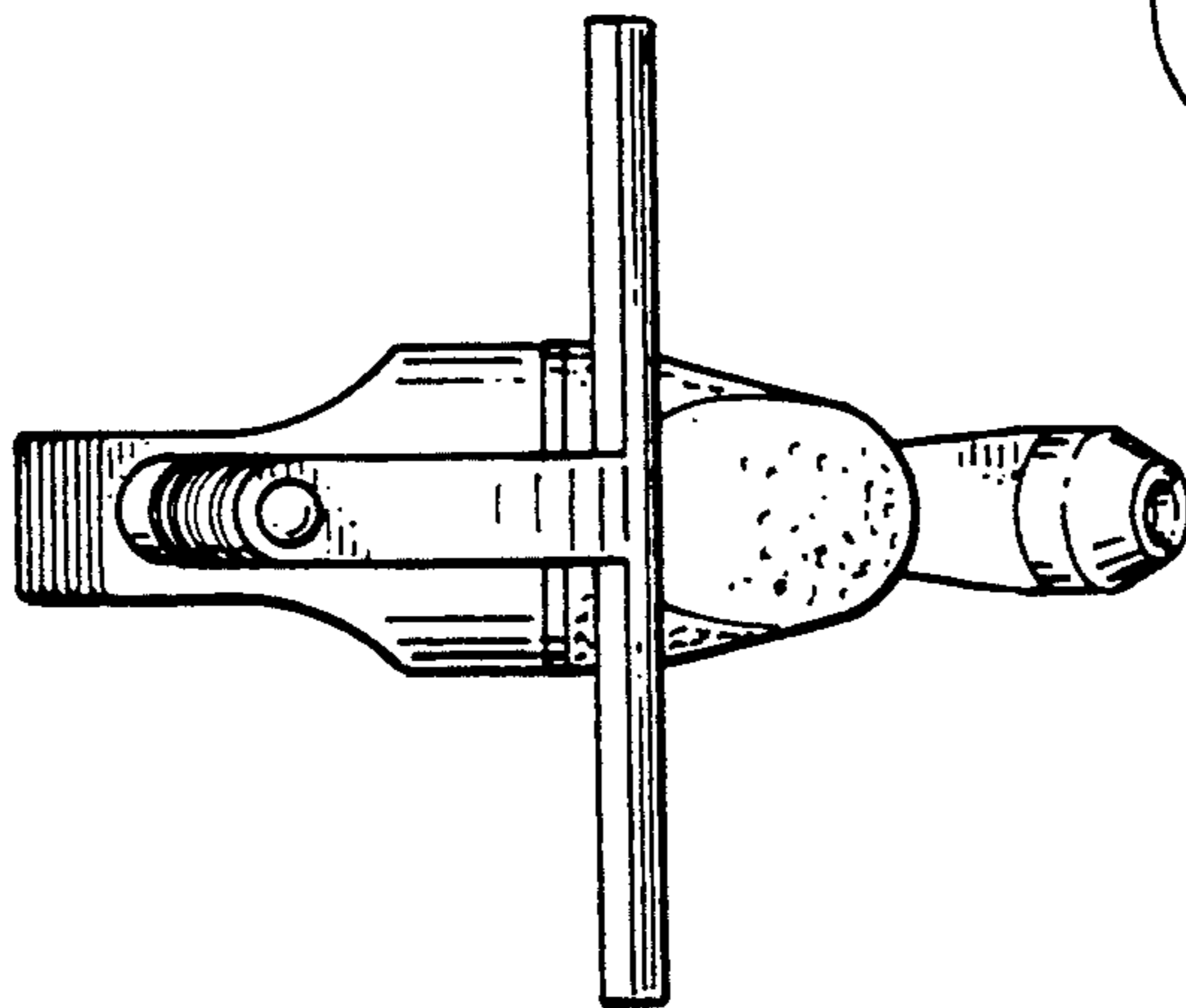


FIG. 3.

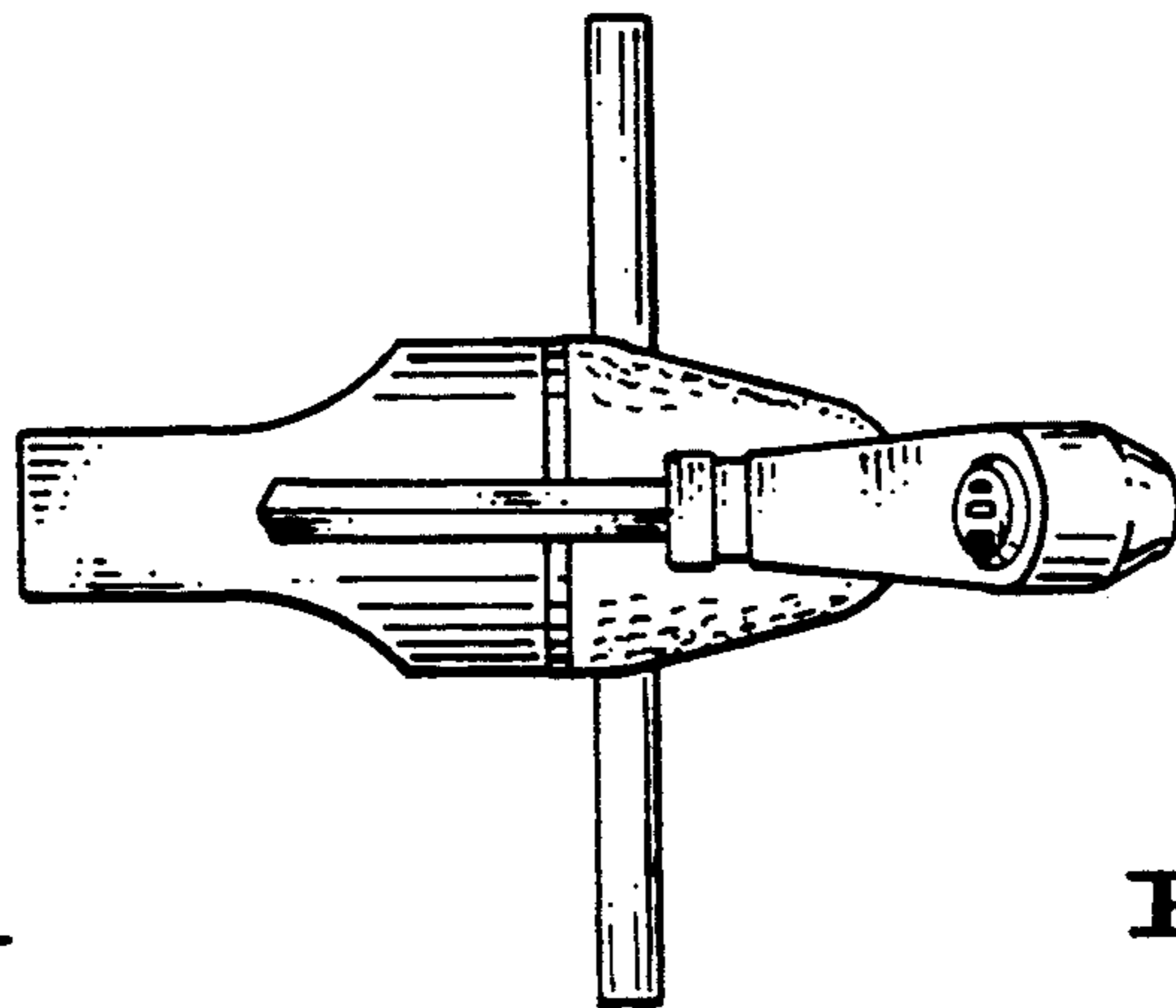


FIG. 6.