



US00D339345S

# United States Patent [19]

[11] Patent Number: Des. 339,345

Fuke

[45] Date of Patent: \*\* Sep. 14, 1993

[54] COMBINED DIGITAL AUDIO DISC PLAYER, RADIO TUNER AND TAPE RECORDER

Primary Examiner—Theodore M. Shooman  
Attorney, Agent, or Firm—Nixon & Vanderhye

[75] Inventor: Mitsutaka Fuke, Hiroshima, Japan

[57] CLAIM

[73] Assignee: Sharp Kabushiki Kaisha, Osaka, Japan

The ornamental design for a combined digital audio disc player, radio tuner and tape recorder, as shown and described.

[\*\*] Term: 14 Years

DESCRIPTION

[21] Appl. No.: 771,417

FIG. 1 is a top, front and right side perspective view of a combined digital audio disc player, radio tuner and tape recorder according to the present invention;

[22] Filed: Oct. 7, 1991

FIG. 2 is a front elevational view thereof;

[30] Foreign Application Priority Data

Apr. 10, 1991 [JP] Japan ..... 3-10641

FIG. 3 is a top plan view thereof;

[52] U.S. Cl. .... D14/168; D14/163

FIG. 4 is a rear elevational view thereof;

[58] Field of Search ..... D14/124, 156, 160, 164-165, D14/168-171, 188, 192-195, 197-198; 455/344, 350, 351

FIG. 5 is a bottom plan view thereof;

FIGS. 6 and 7 are left and right side elevational views thereof, respectively;

[56] References Cited

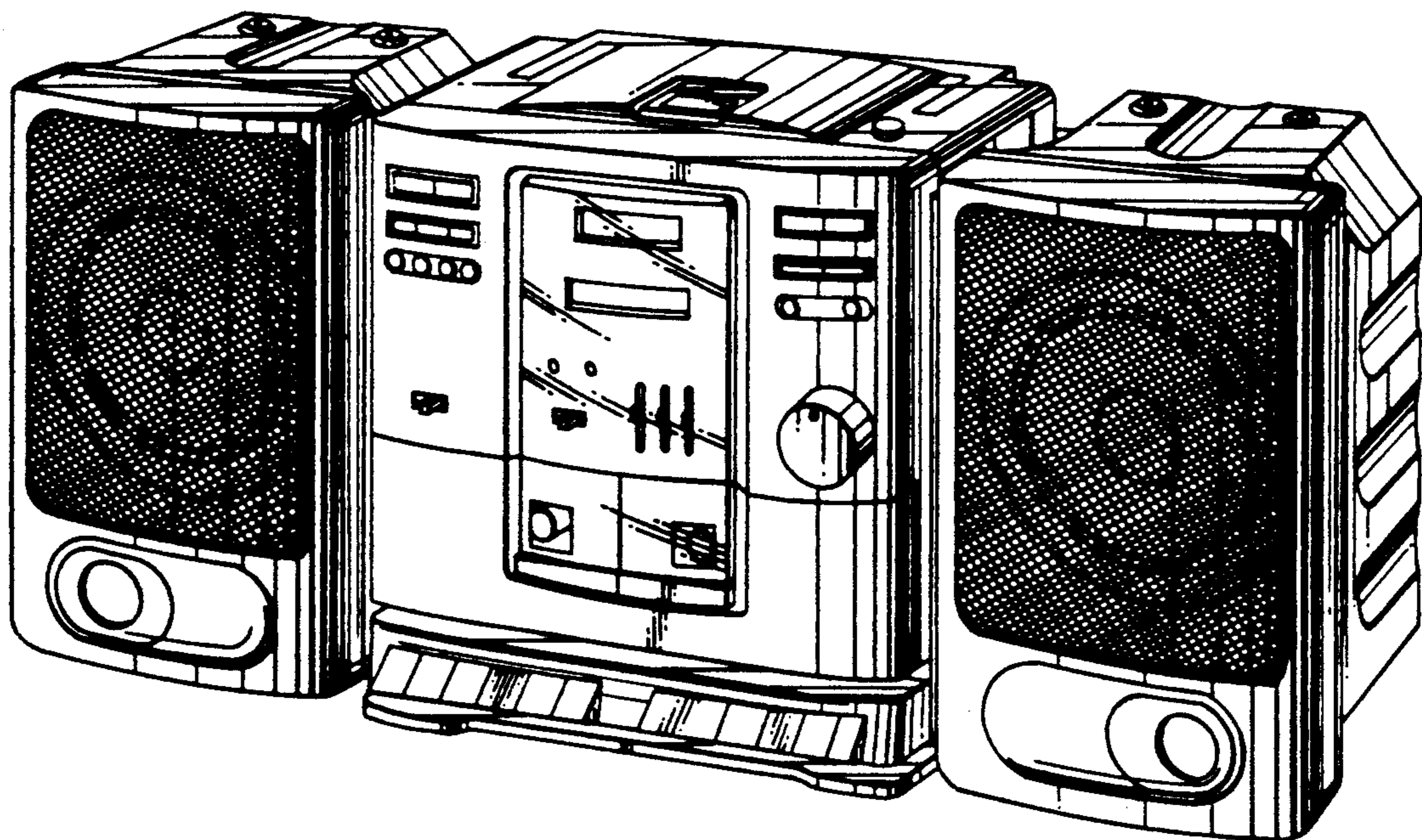
U.S. PATENT DOCUMENTS

- D. 317,916 7/1991 Fuke ..... D14/168 X
- D. 318,863 8/1991 Mori ..... D14/168 X
- D. 319,058 8/1991 Kukita et al. .... D14/168 X
- D. 327,683 7/1992 Takimoto ..... D14/168

FIG. 8 is a top, front and right side perspective view of the combined digital audio disc player, radio tuner and tape recorder hereof, illustrating the speakers separated from the central control section;

FIG. 9 is a right side elevational view of the central control section, with the left side being the mirror-image thereof; and,

FIG. 10 is a left side elevational view of the righthand speaker illustrated in FIG. 8, with the right side of the lefthand speaker being the mirror-image thereof.



**FIG. 1**

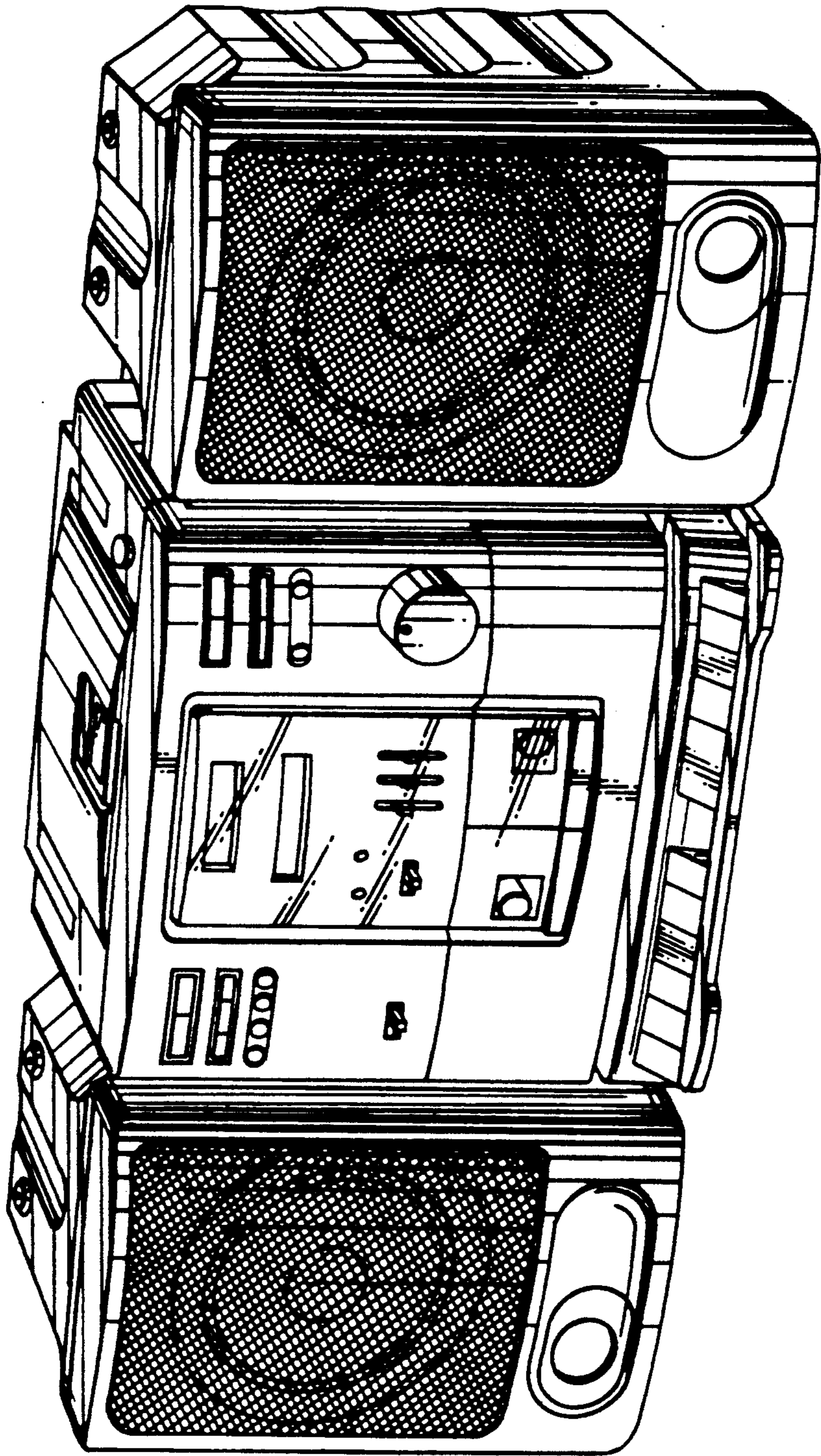


FIG. 2

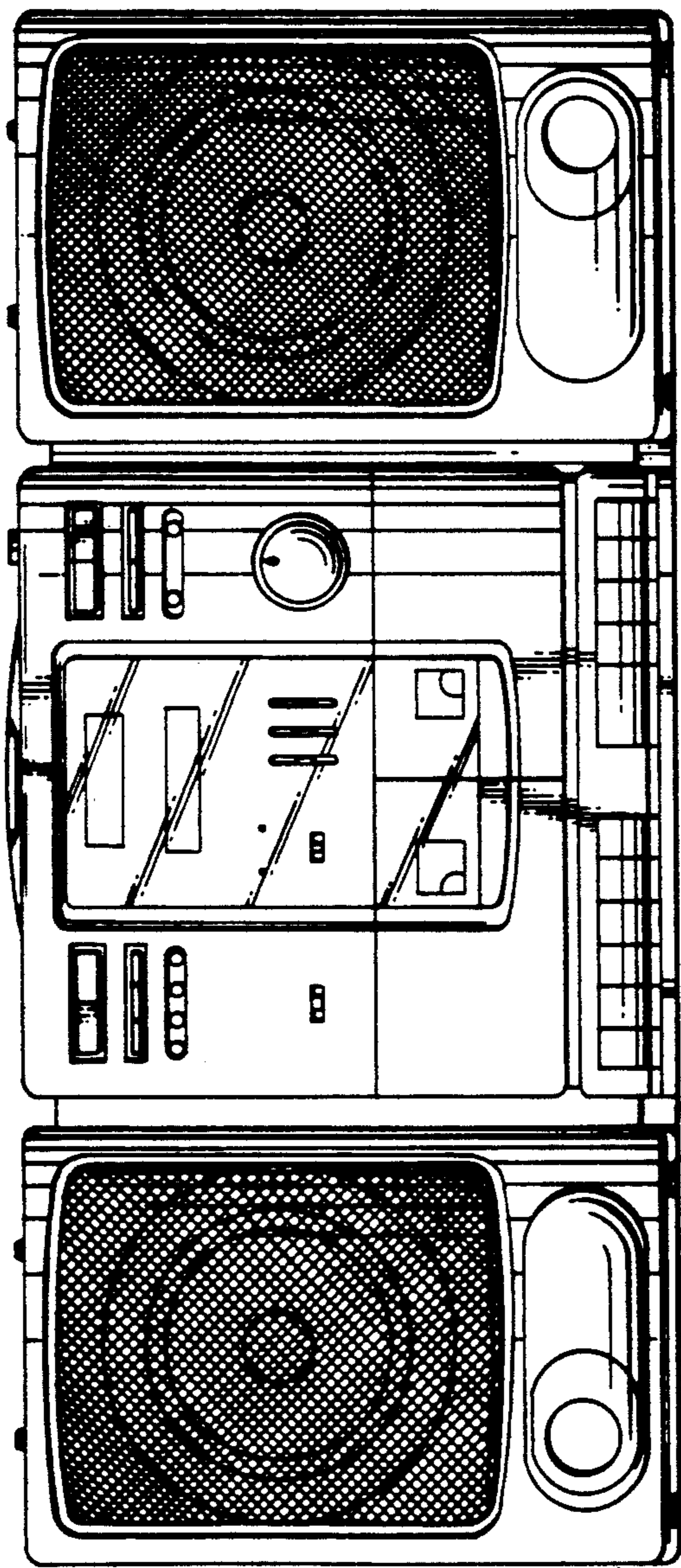


FIG. 3

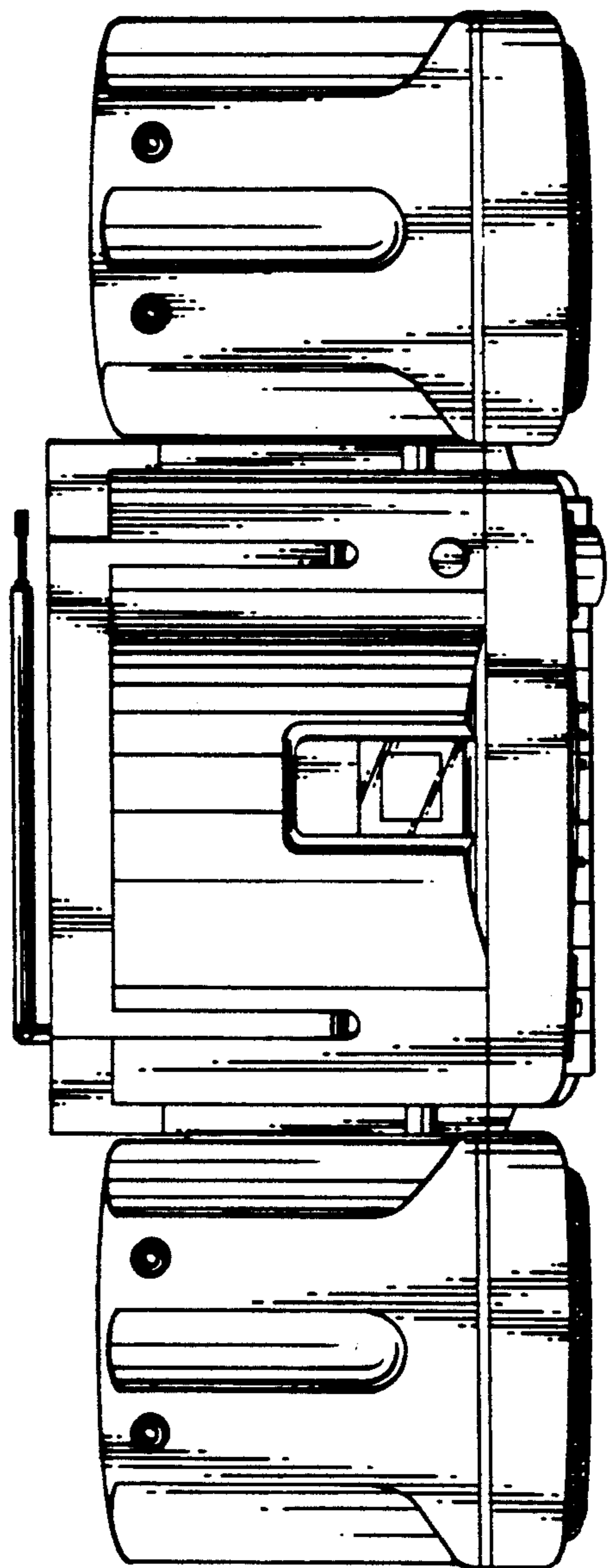


FIG. 4

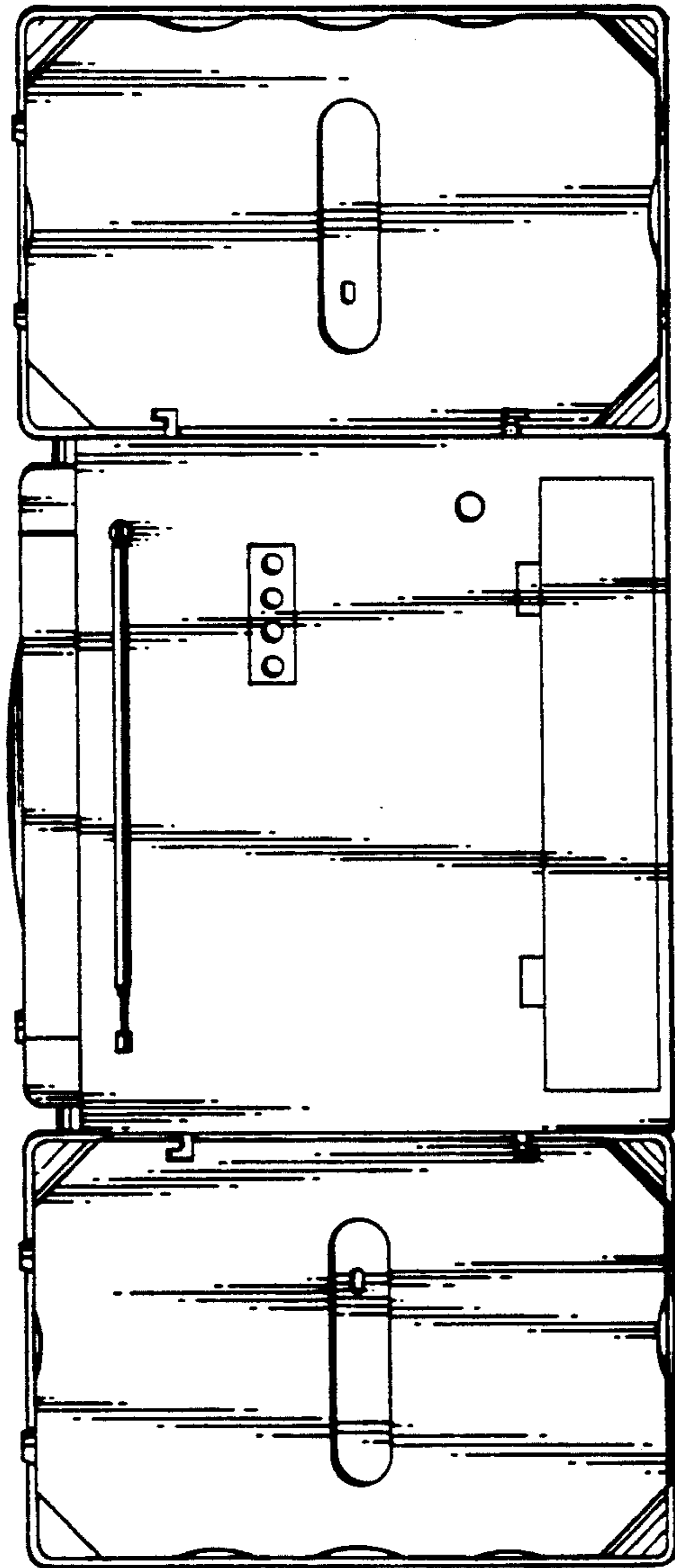
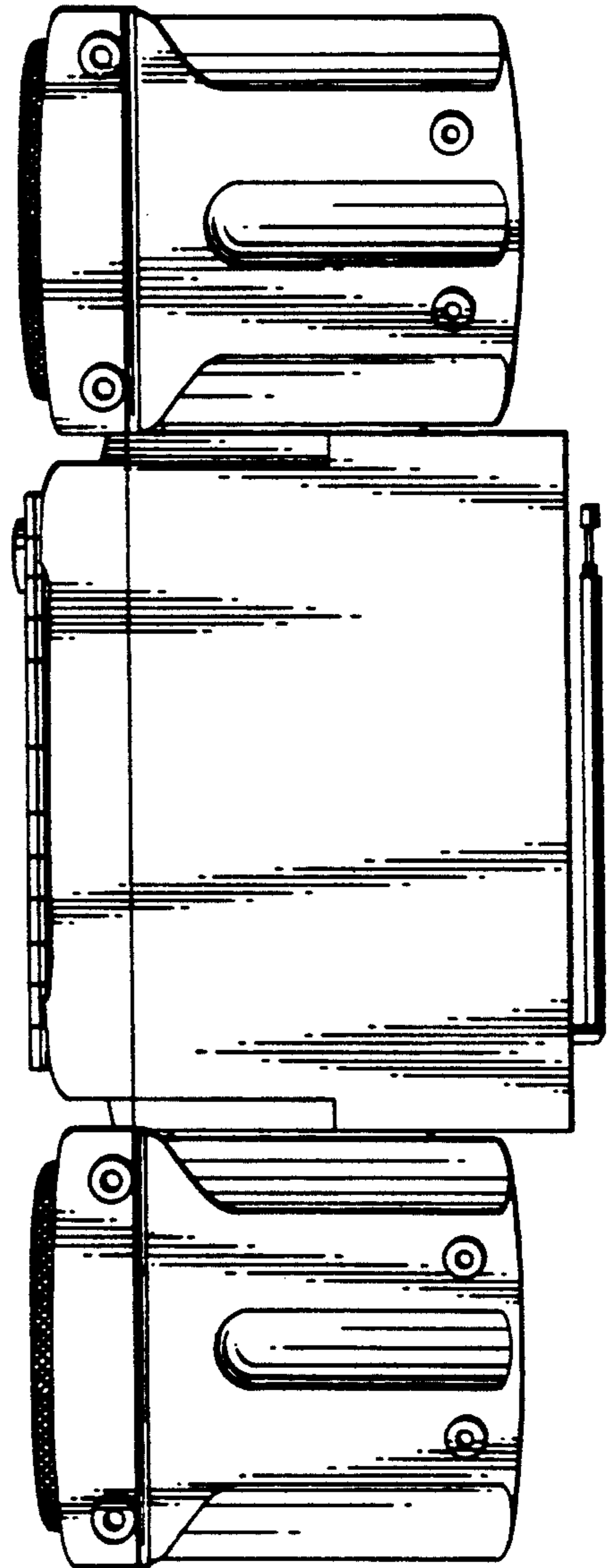
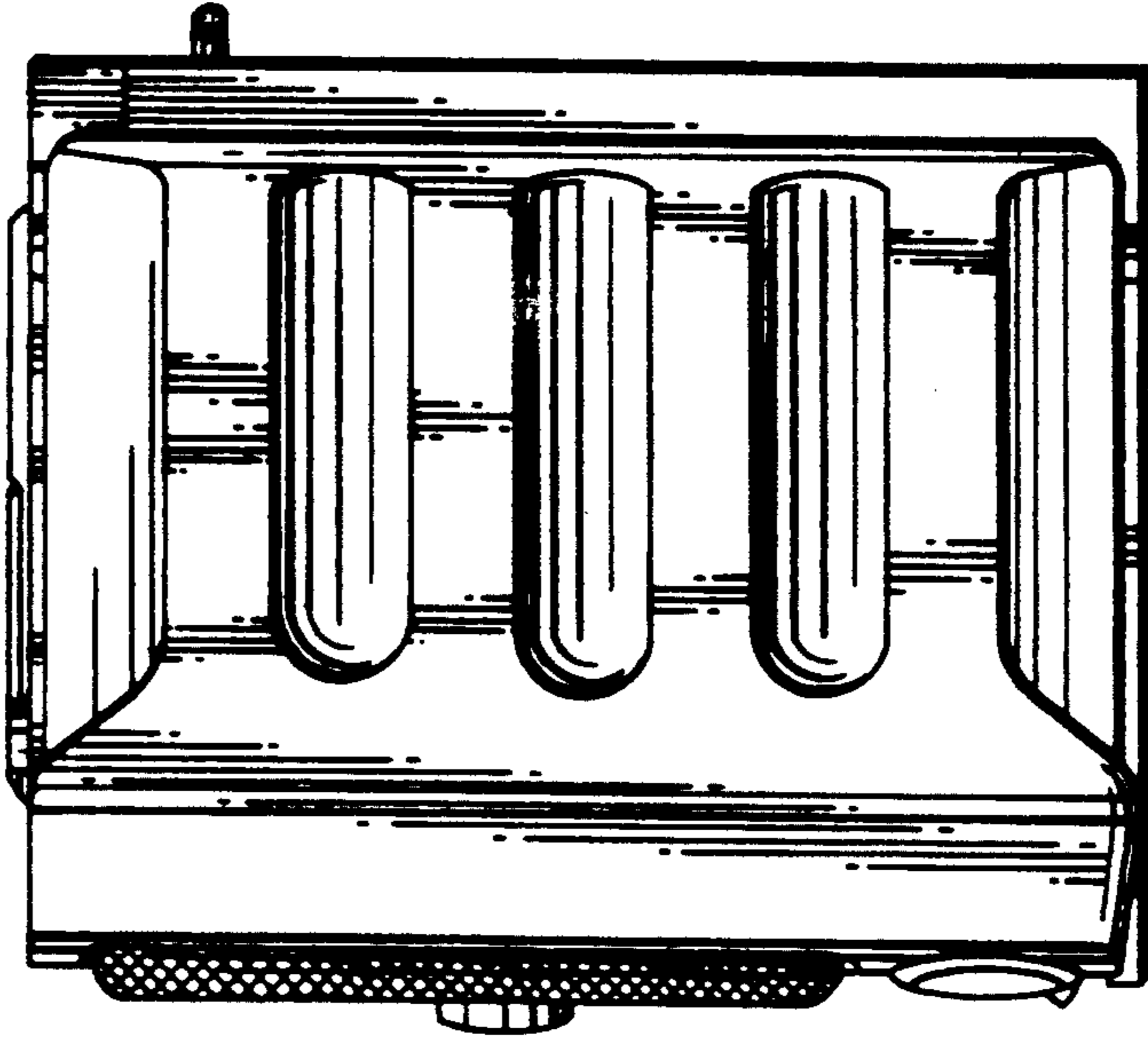


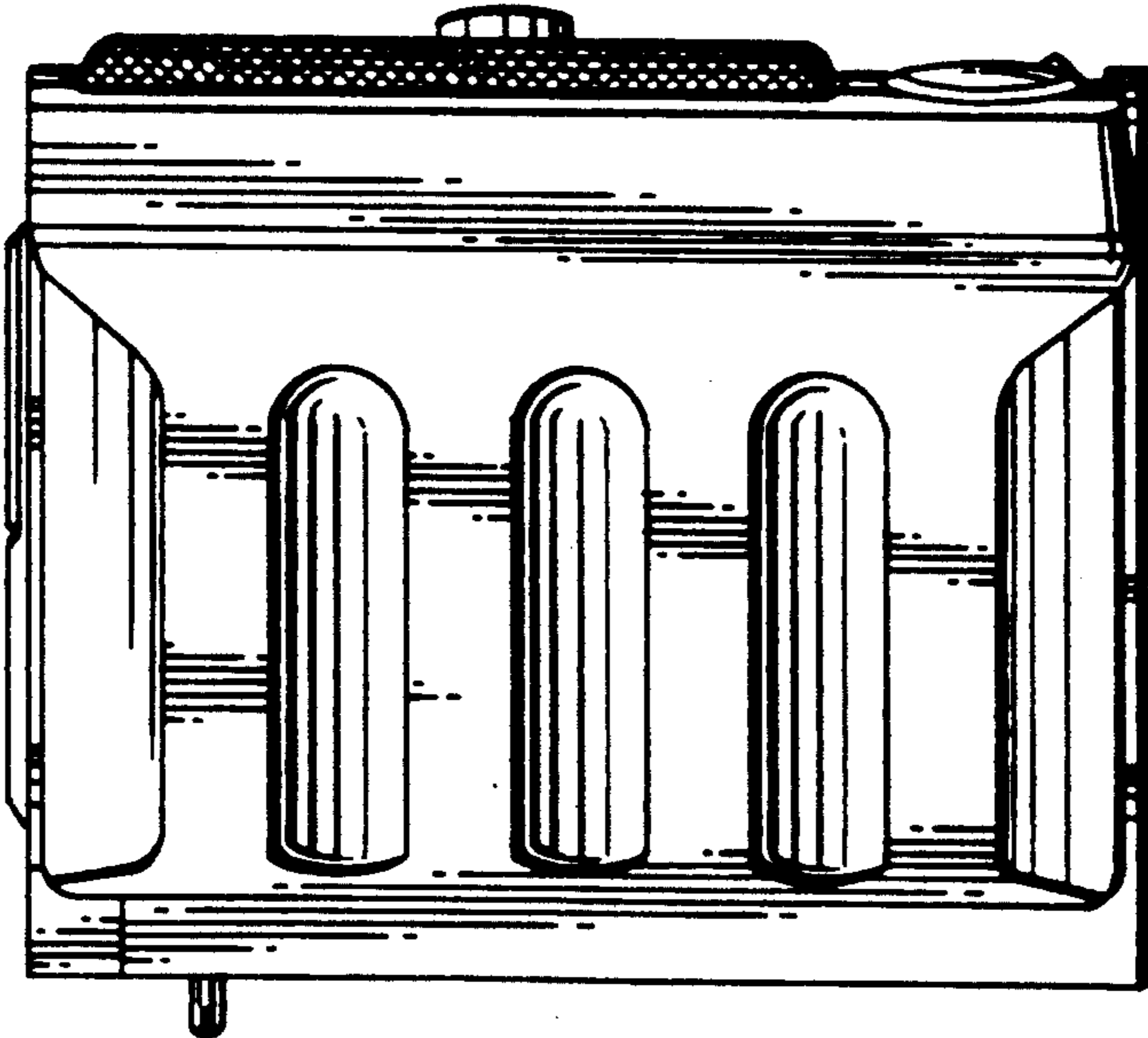
FIG. 5

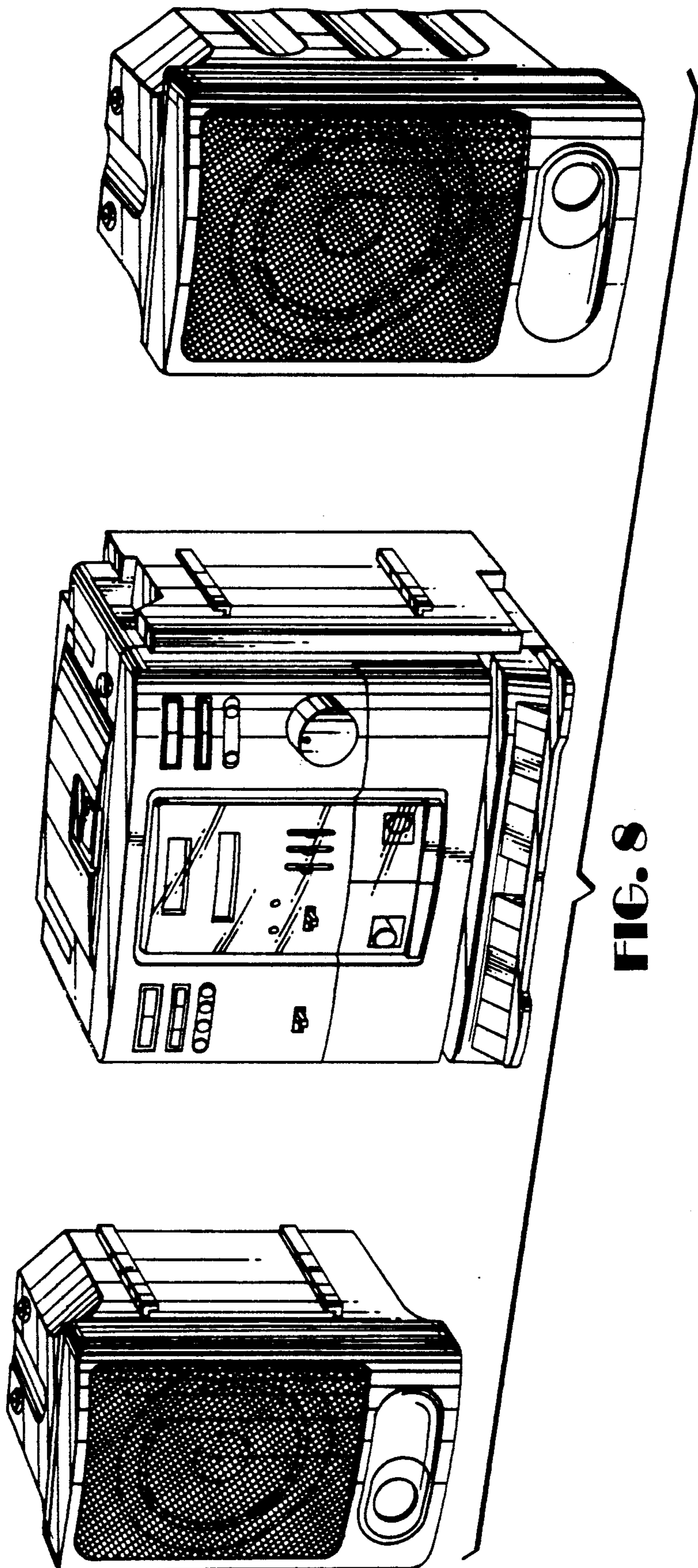


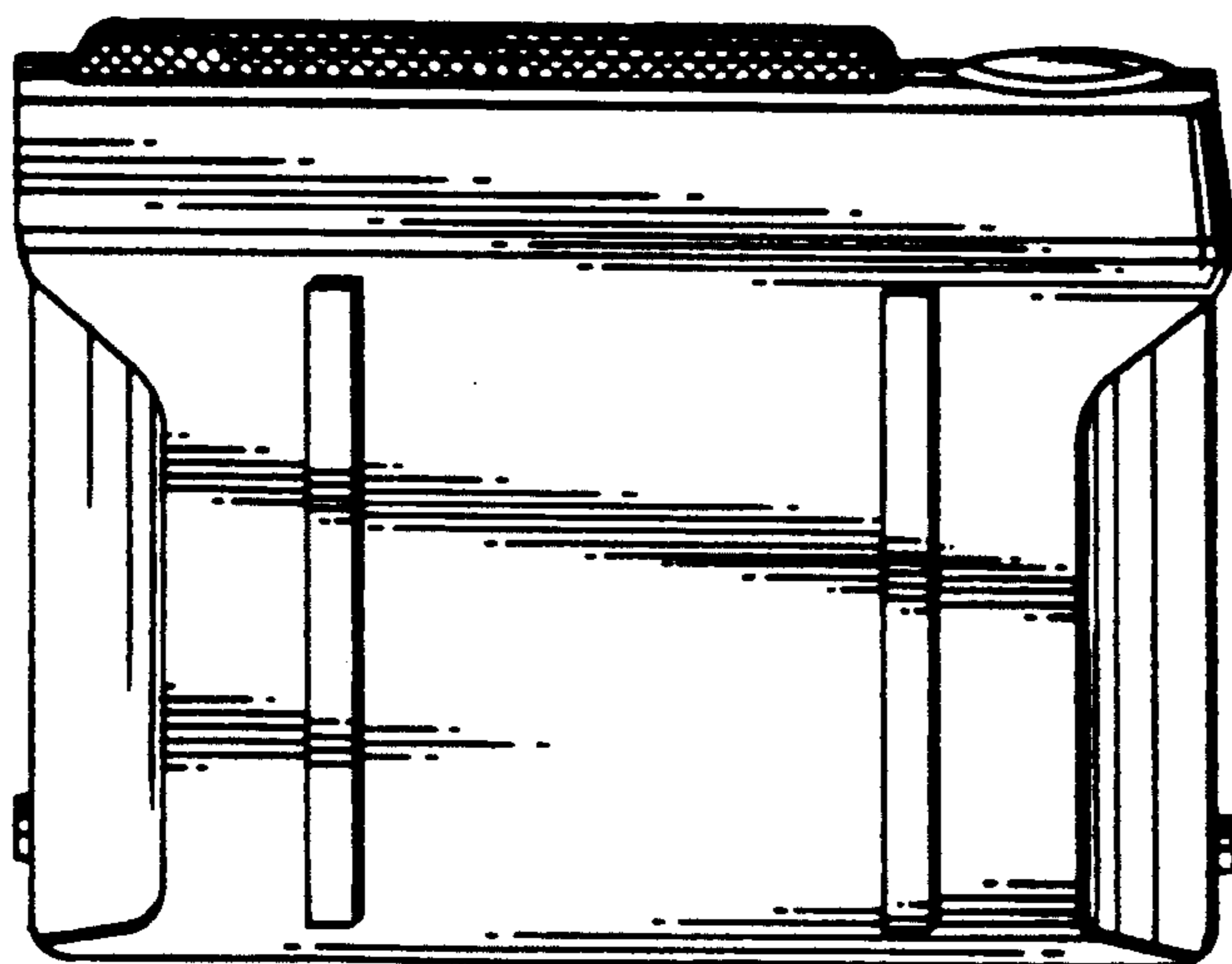
**FIG. 7**



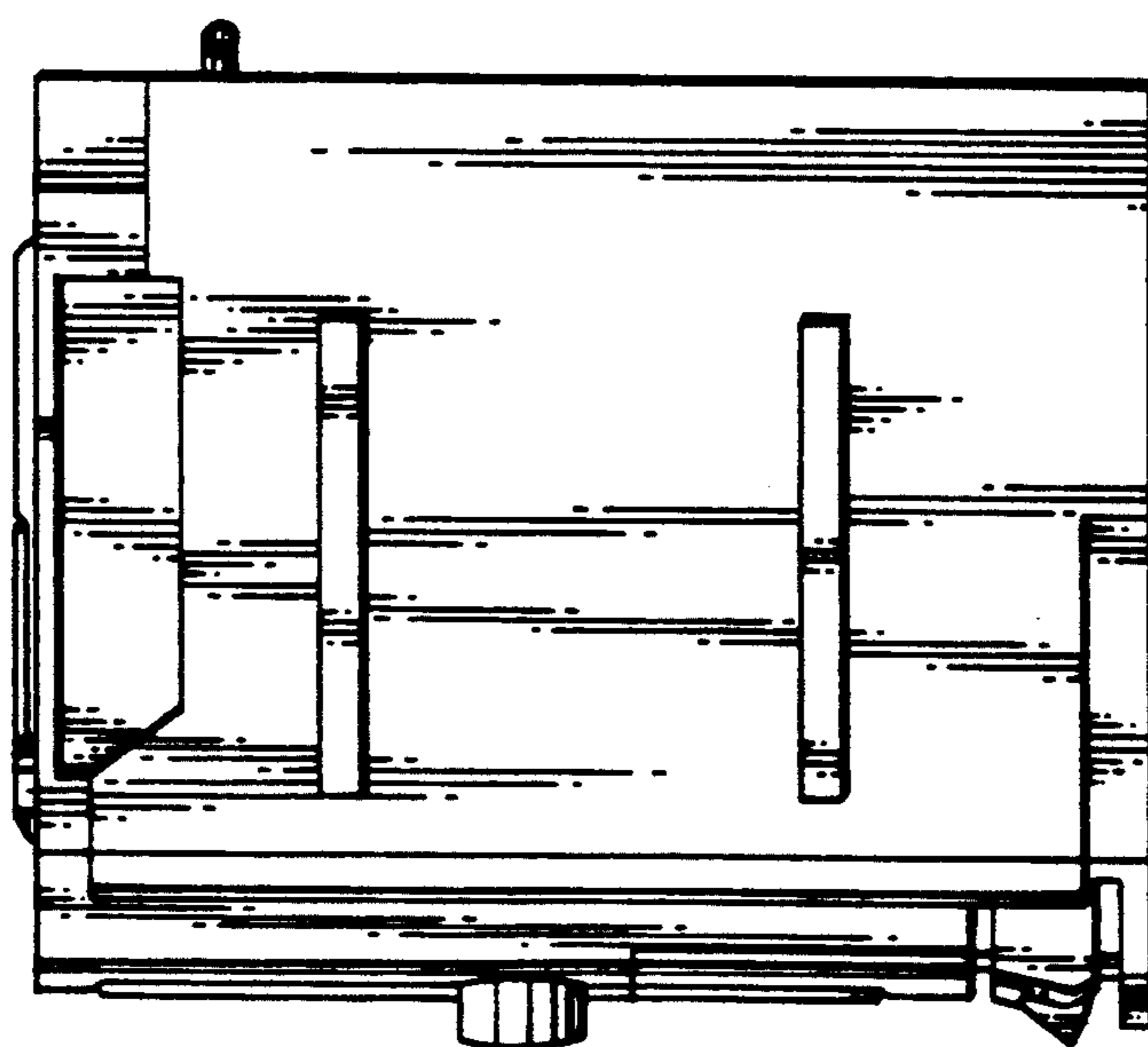
**FIG. 6**







**FIG. 10**



**FIG. 9**