



US00D339341S

United States Patent [19]

[11] Patent Number: **Des. 339,341**

Allen

[45] Date of Patent: **** Sep. 14, 1993**

[54] **PAYPHONE BASE**
[75] Inventor: **Graham Allen, Cheshire, England**
[73] Assignee: **British Telecommunications public limited company, London, England**

D. 307,418 4/1990 Aschauer et al. D14/241 X
D. 316,833 5/1991 Miozzo D14/130
D. 319,826 9/1991 Hung D14/142
D. 320,983 10/1991 Grinyer D14/138
D. 320,987 10/1991 Grinyer D14/141 X
D. 321,511 11/1991 Swarthout et al. D14/241 X

[**] Term: **14 Years**

Primary Examiner—Alan P. Douglas
Assistant Examiner—Jeffrey Asch
Attorney, Agent, or Firm—Nixon & Vanderhye

[21] Appl. No.: **838,466**

[22] Filed: **Feb. 18, 1992**

[57] CLAIM

[30] Foreign Application Priority Data

Aug. 15, 1991 [GB] United Kingdom 2016659

[52] U.S. Cl. **D14/146; D14/151**

[58] Field of Search **D14/140, 142, 146, 149, D14/150, 151, 240, 241, 253, 245, 141, 130, 138; 379/419, 428, 435, 436, 434, 440**

The ornamental design for a payphone base, as shown and described.

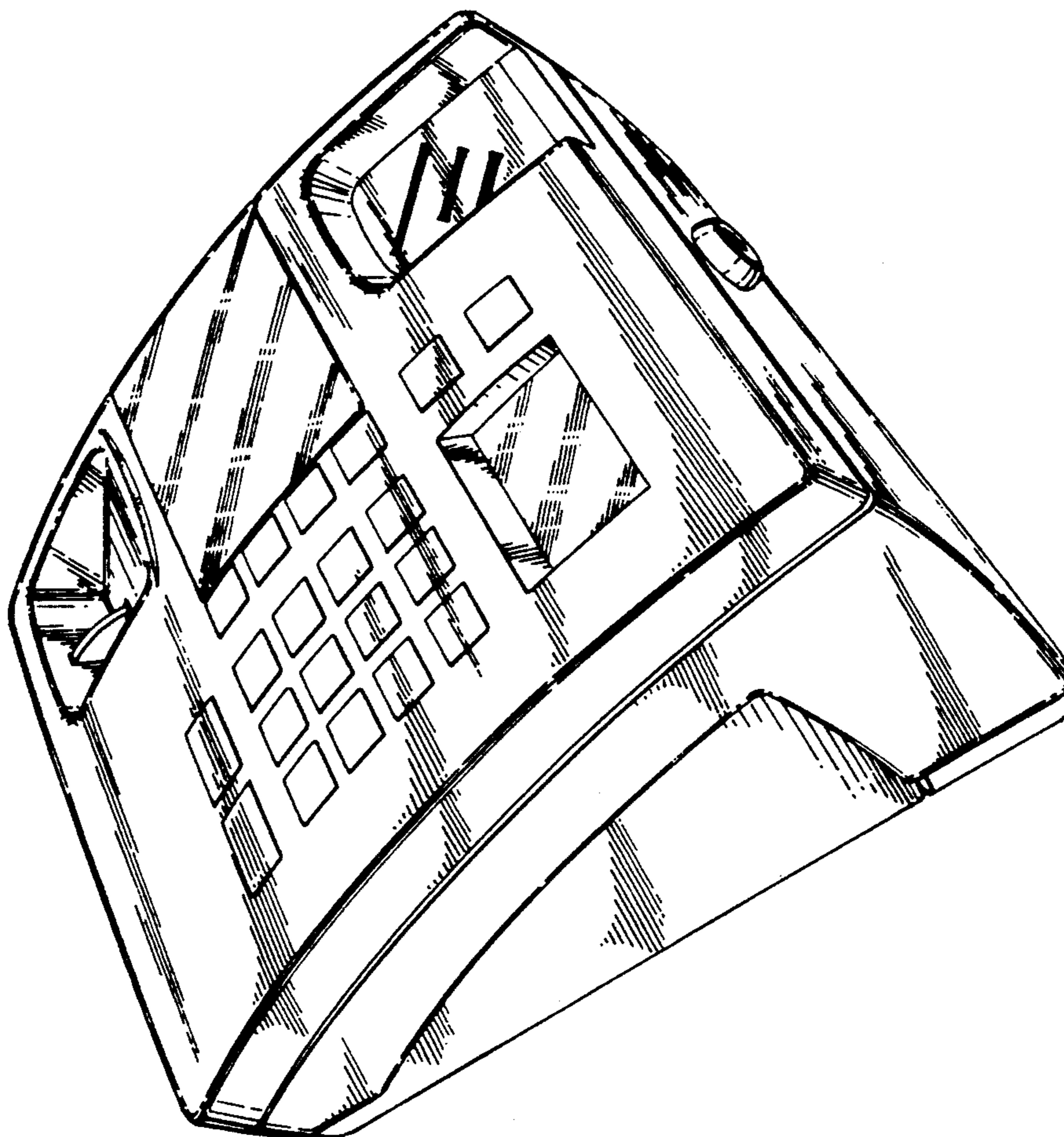
DESCRIPTION

[56] References Cited

U.S. PATENT DOCUMENTS

D. 246,584 12/1977 Bhat et al. D14/146 X
D. 289,638 5/1987 Kasprzycki D14/245
D. 302,272 7/1989 Sharp, Jr. D14/149 X
D. 307,008 4/1990 Shaanan et al. D14/149 X

FIG. 1 is a top, front and right side perspective view of a payphone base according to the present design; FIG. 2 is a top plan view thereof; FIG. 3 is a front elevational view thereof; FIG. 4 is a left side elevational view thereof, the right side being the mirror-image; FIG. 5 is a bottom plan view thereof; FIG. 6 is a rear elevational view; and, FIG. 7 is a perspective view of a second embodiment of that shown in FIG. 1.



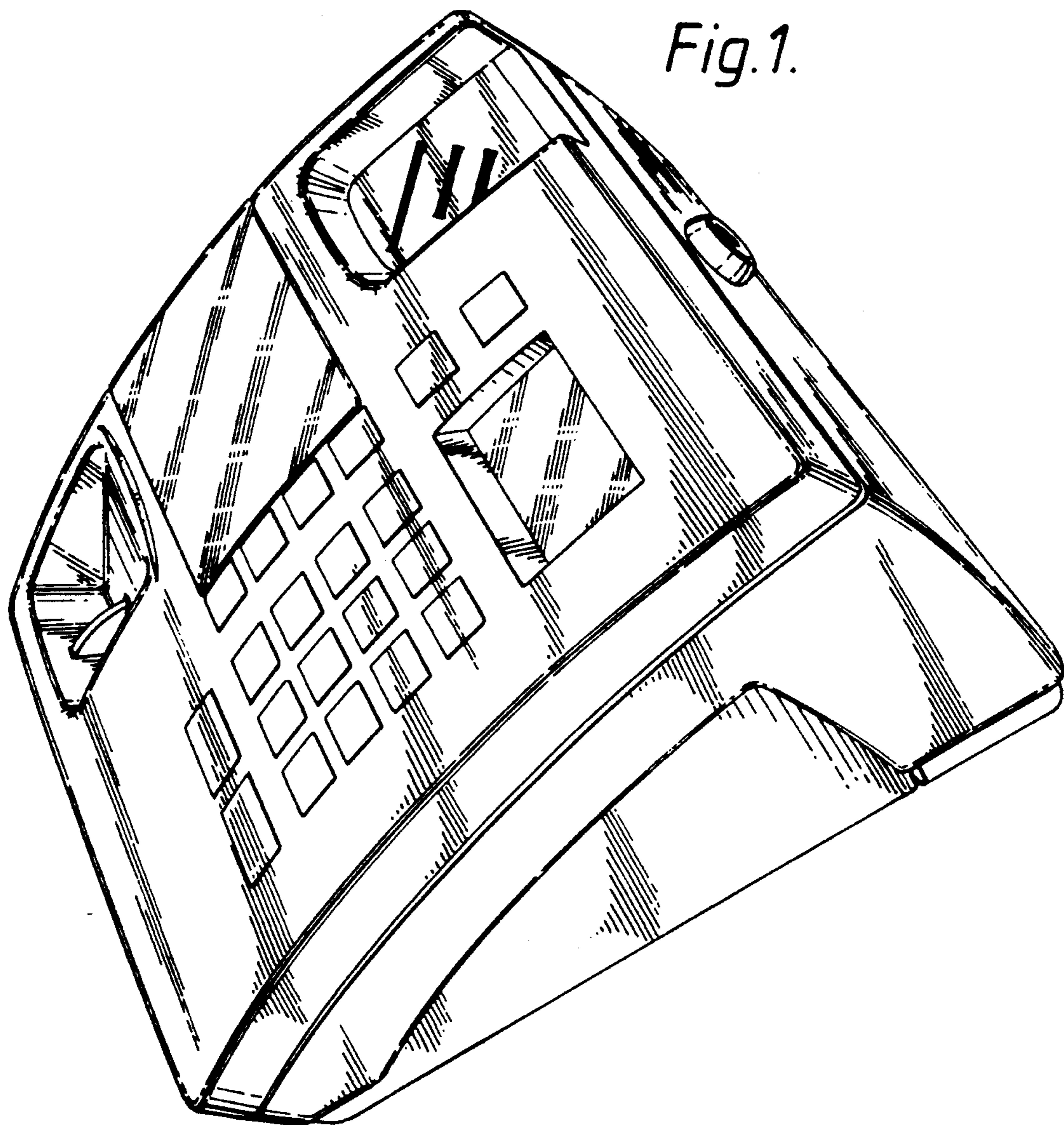


Fig. 1.

Fig. 2.

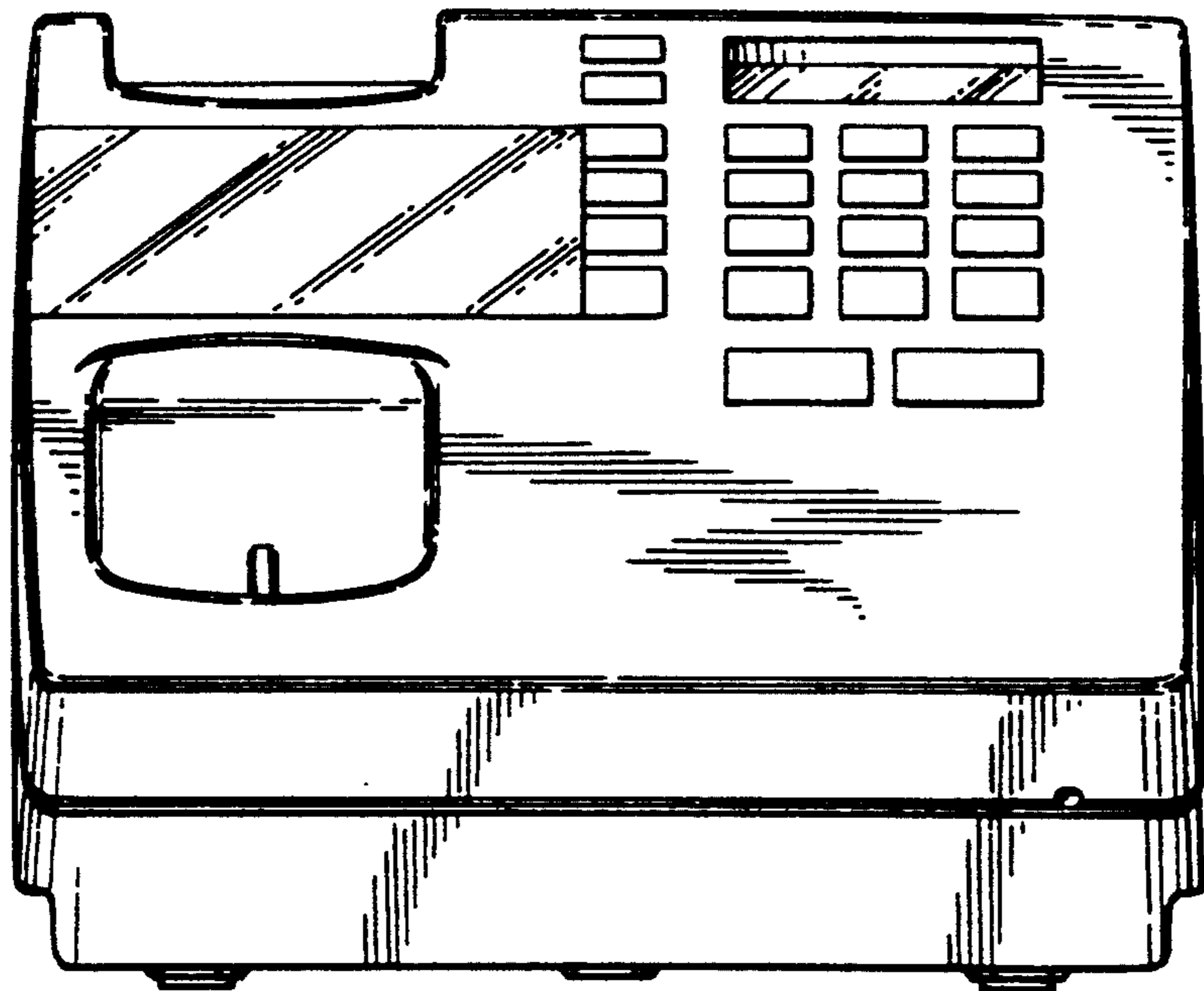
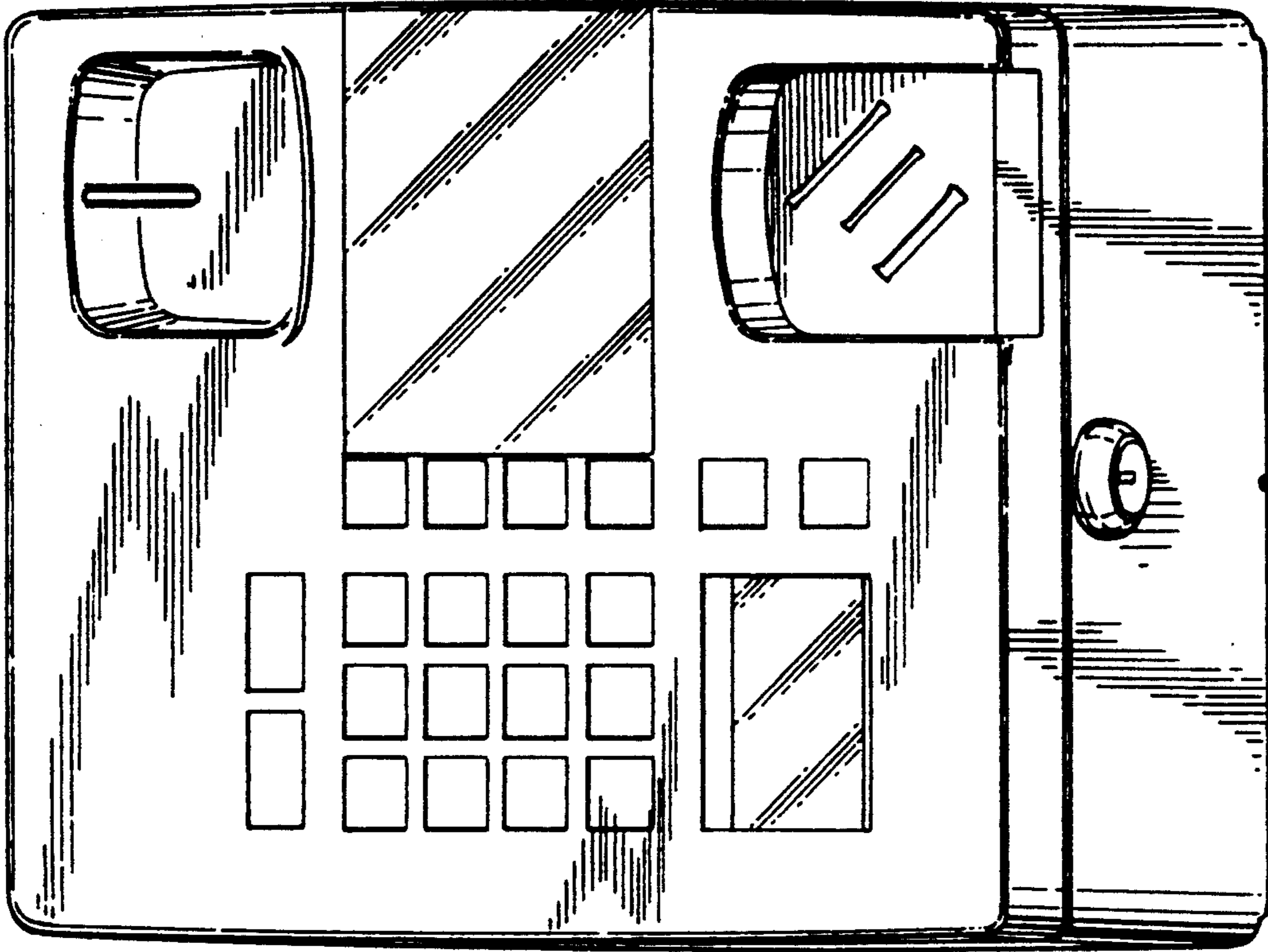


Fig. 3.

Fig. 4.

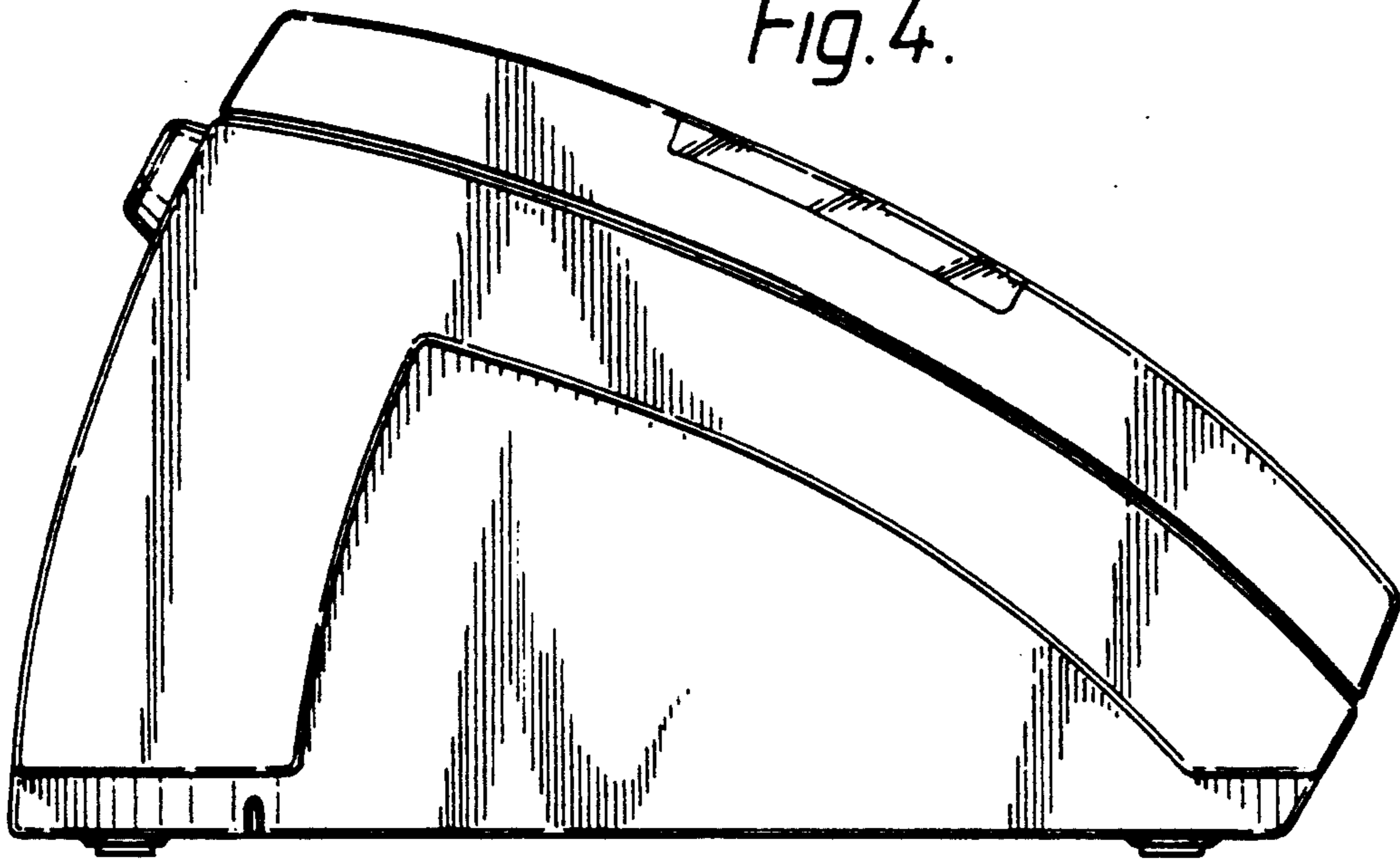


Fig. 5.

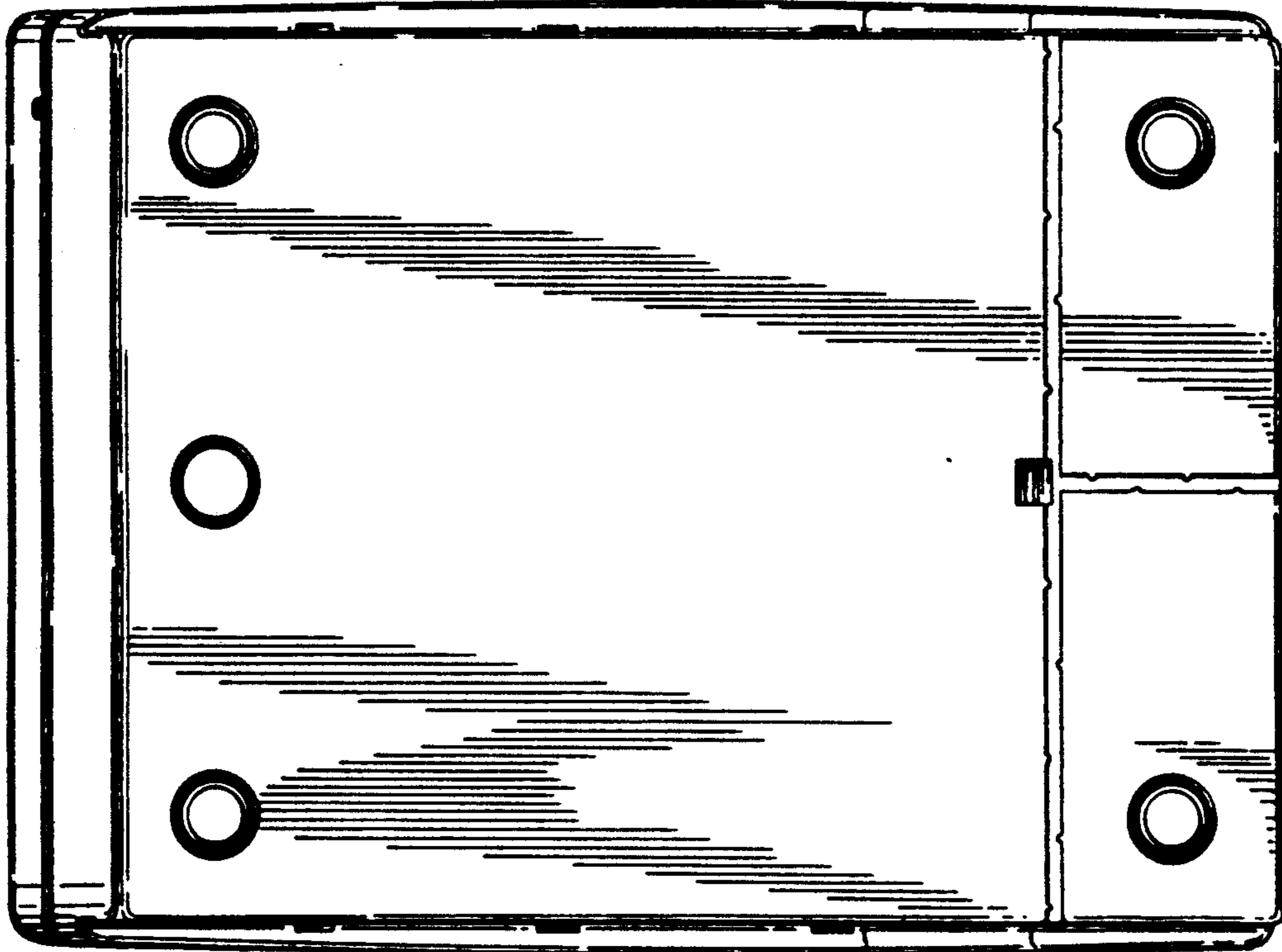


Fig. 6.

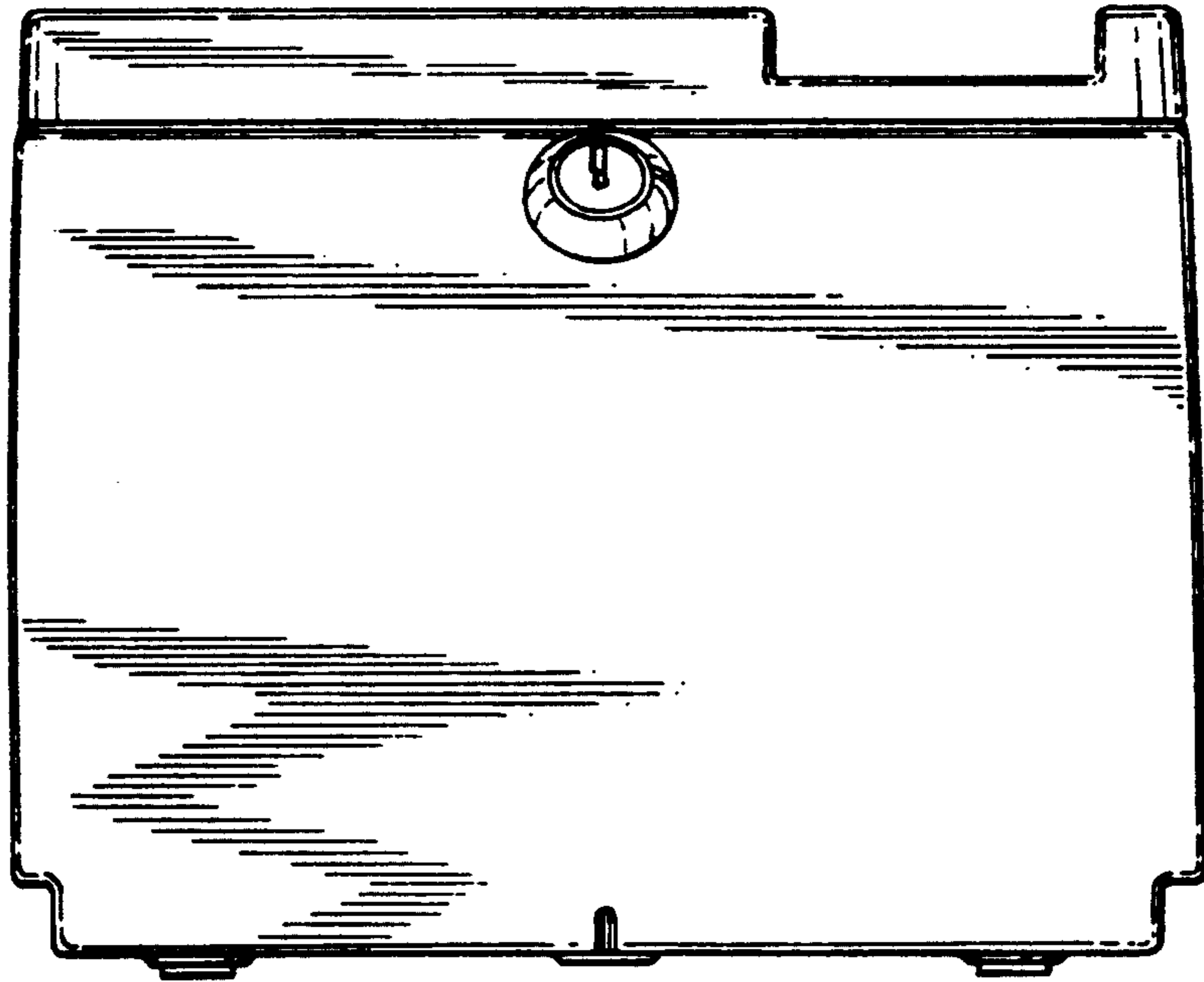


Fig. 7

