



US00D339334S

United States Patent [19]

[11] Patent Number: **Des. 339,334**

Koo

[45] Date of Patent: **** Sep. 14, 1993**

[54] **TELEVISION RECEIVER**

D. 311,530 10/1990 Kurozumi et al. D14/126

[75] Inventor: **Kee S. Koo, Suweon, Rep. of Korea**

OTHER PUBLICATIONS

[73] Assignee: **Samsung Electronics Co., Ltd.,
Suweon, Rep. of Korea**

High Fidelity, Nov. 1988, p. 49, bottom left-Philips
model 27-J245SB.

[**] Term: **14 Years**

Form 122, p. 56, top of page.

[21] Appl. No.: **649,802**

Primary Examiner—Theodore M. Shooman
Attorney, Agent, or Firm—Horst M. Kasper

[22] Filed: **Feb. 1, 1991**

[57] **CLAIM**

[30] **Foreign Application Priority Data**

The ornamental design for a television receiver, as
shown and described.

Aug. 3, 1990 [KR] Rep. of Korea 90-11177

DESCRIPTION

[52] U.S. Cl. **D14/126**

[58] Field of Search **D14/113, 124-134;
358/60, 237-239, 254-255**

FIG. 1 is a perspective view of a television receiver
showing our new design;

FIG. 2 is a top plan view thereof;

FIG. 3 is a front elevational view thereof;

FIG. 4 is a right side elevational view thereof, the left
side being a mirror image;

FIG. 5 is a bottom plan view thereof; and,

FIG. 6 is a rear elevational view thereof.

[56] **References Cited**

U.S. PATENT DOCUMENTS

D. 281,976 12/1985 Menei D14/126

D. 290,359 6/1987 Inoue et al. D14/126

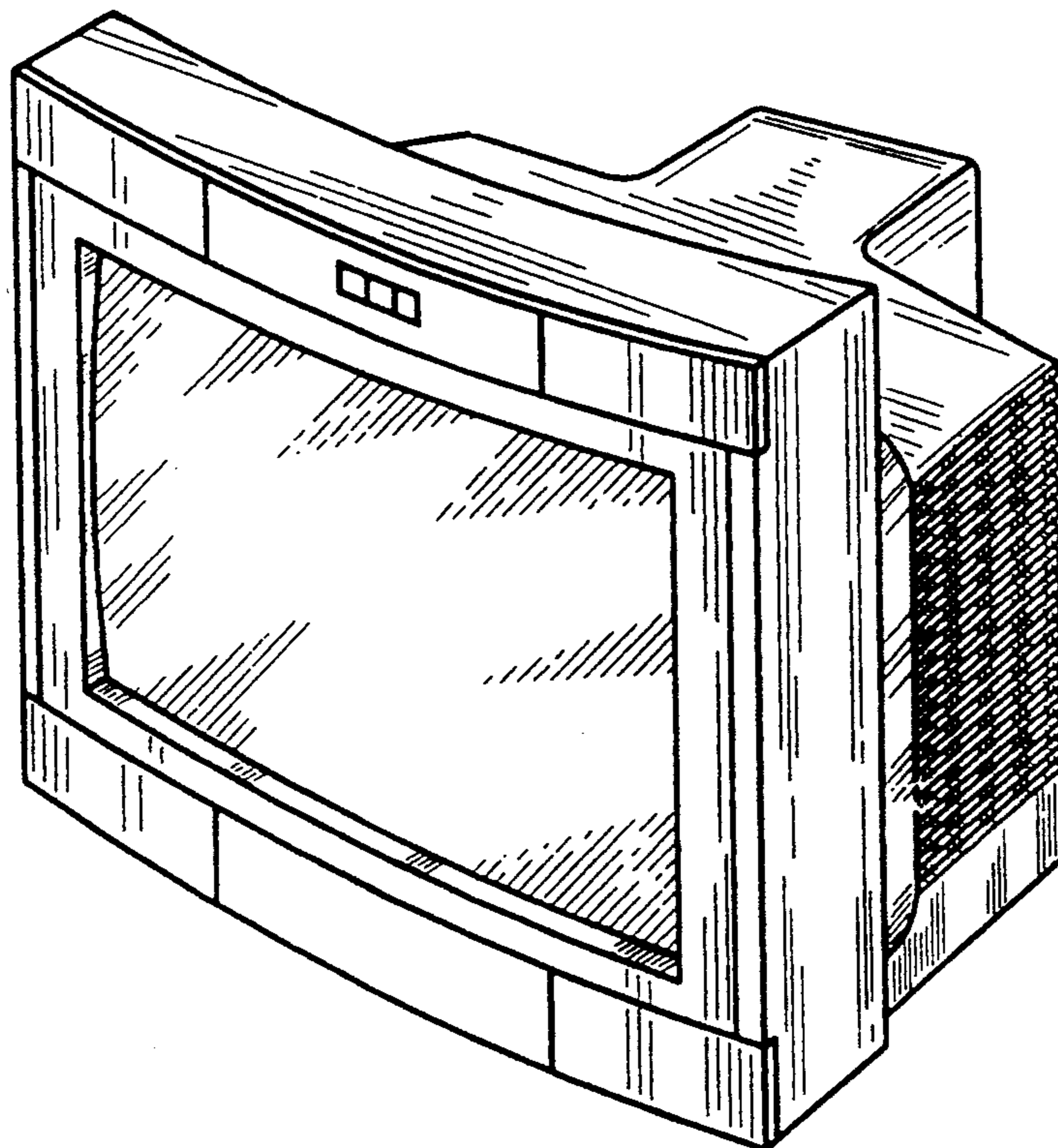


FIG. 1

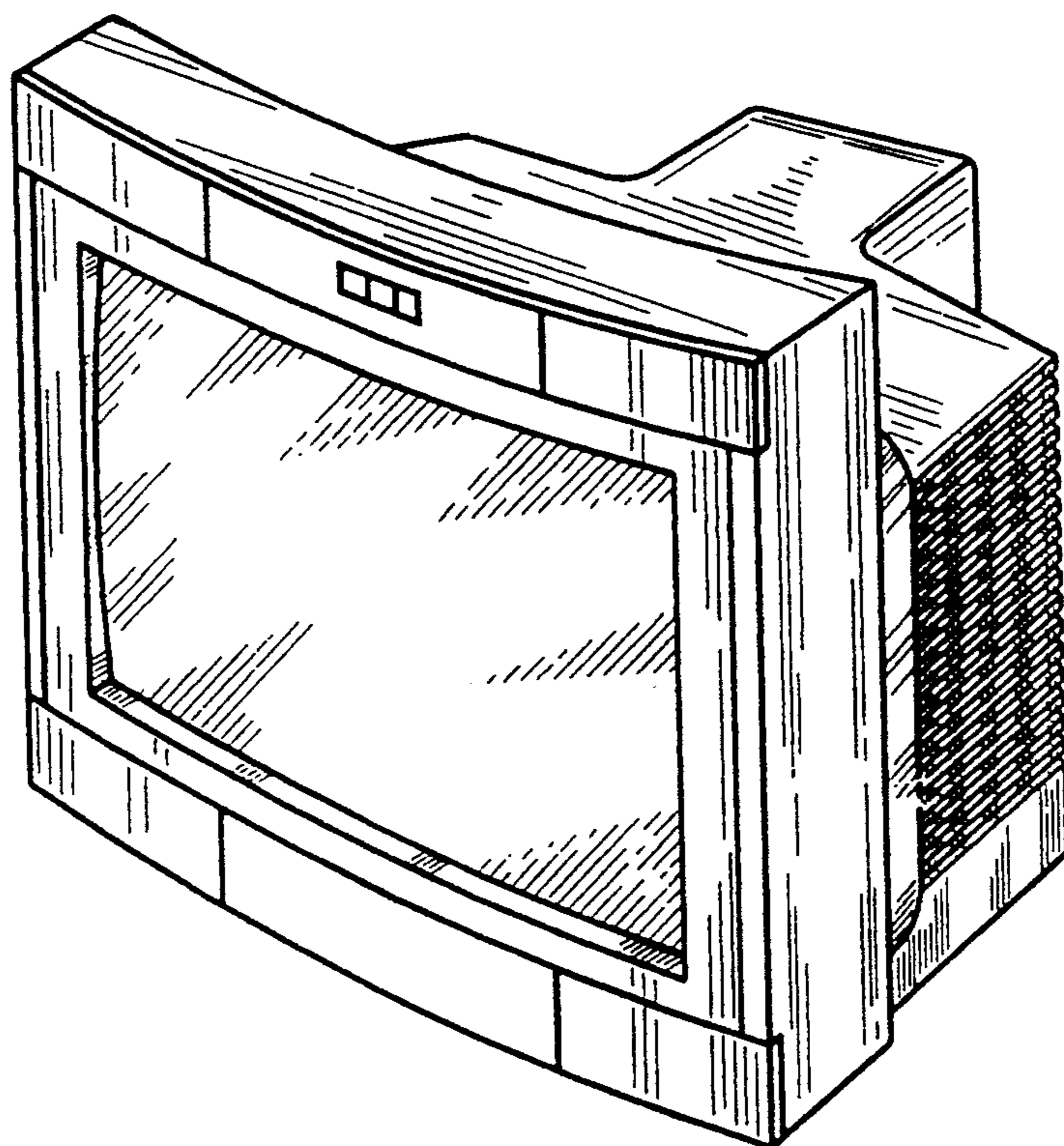


FIG. 2

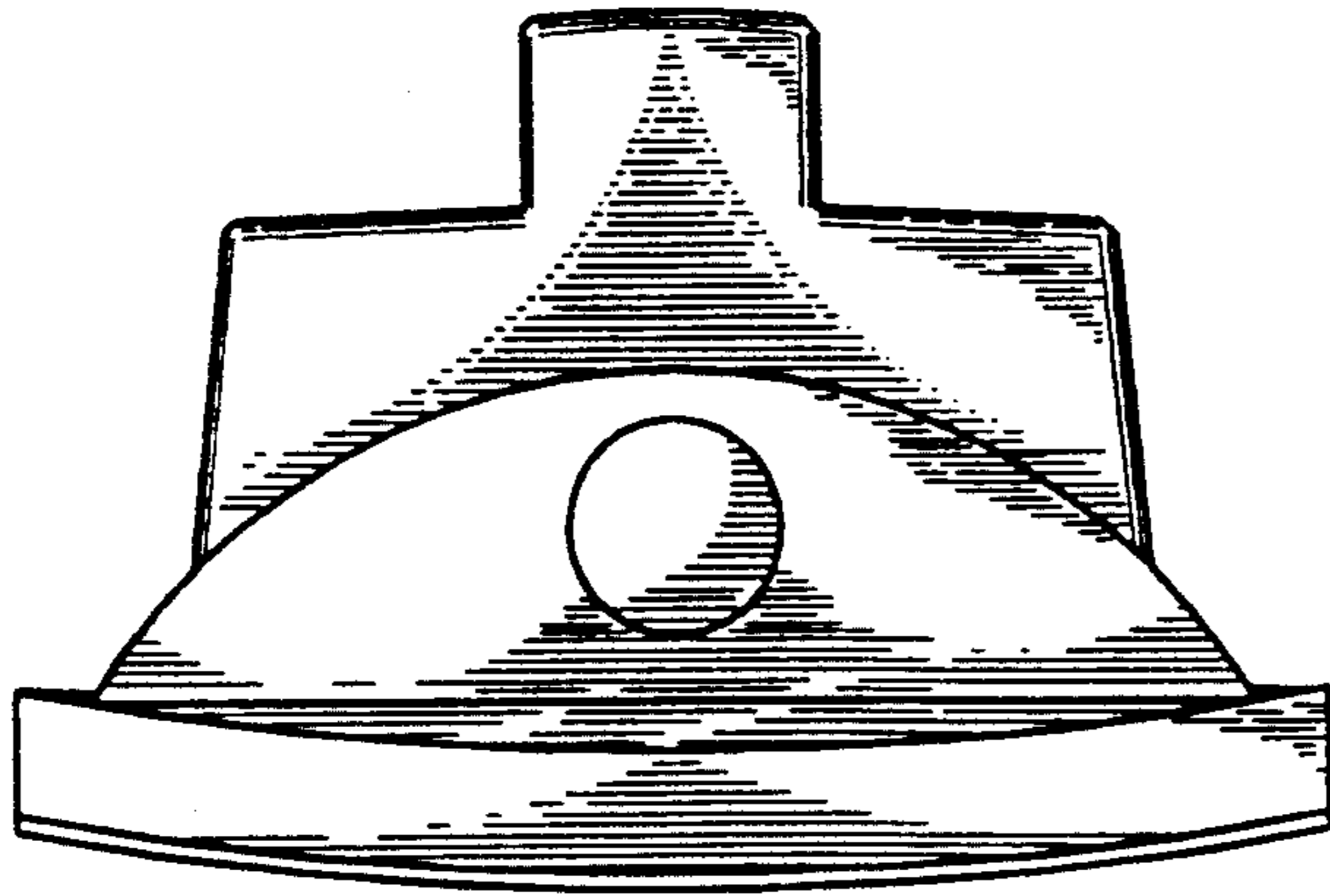


FIG. 3

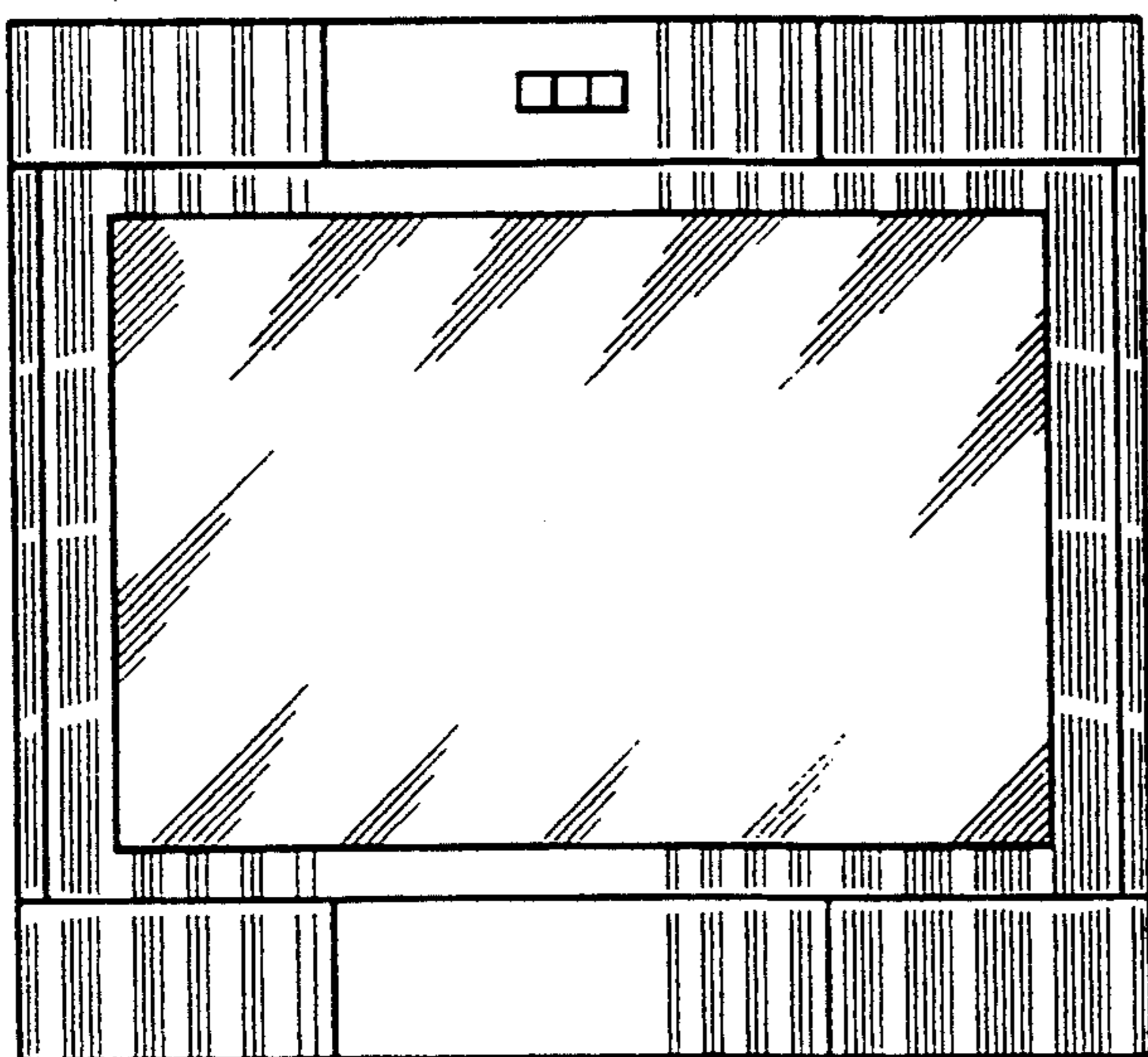


FIG. 4

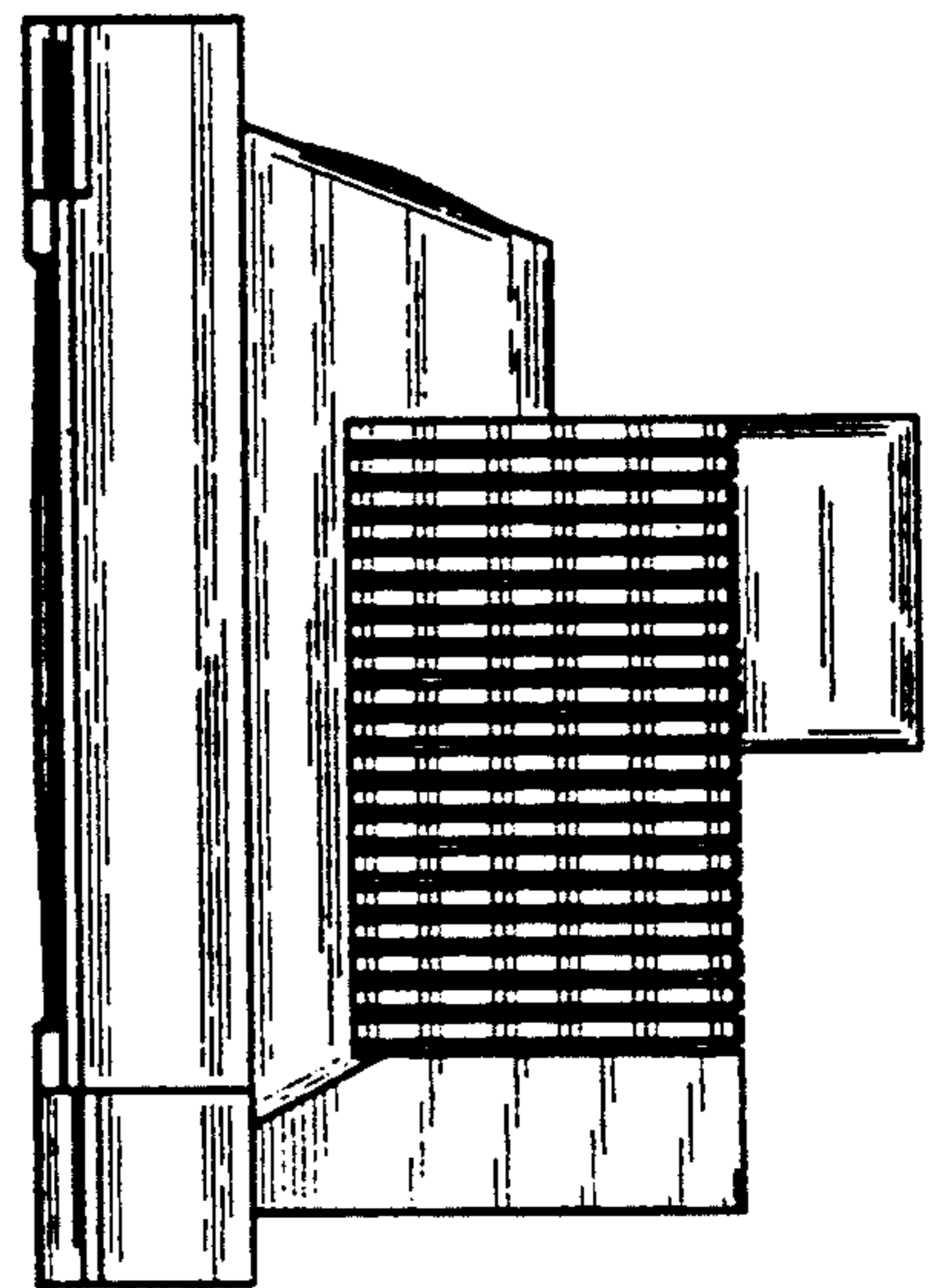


FIG. 5

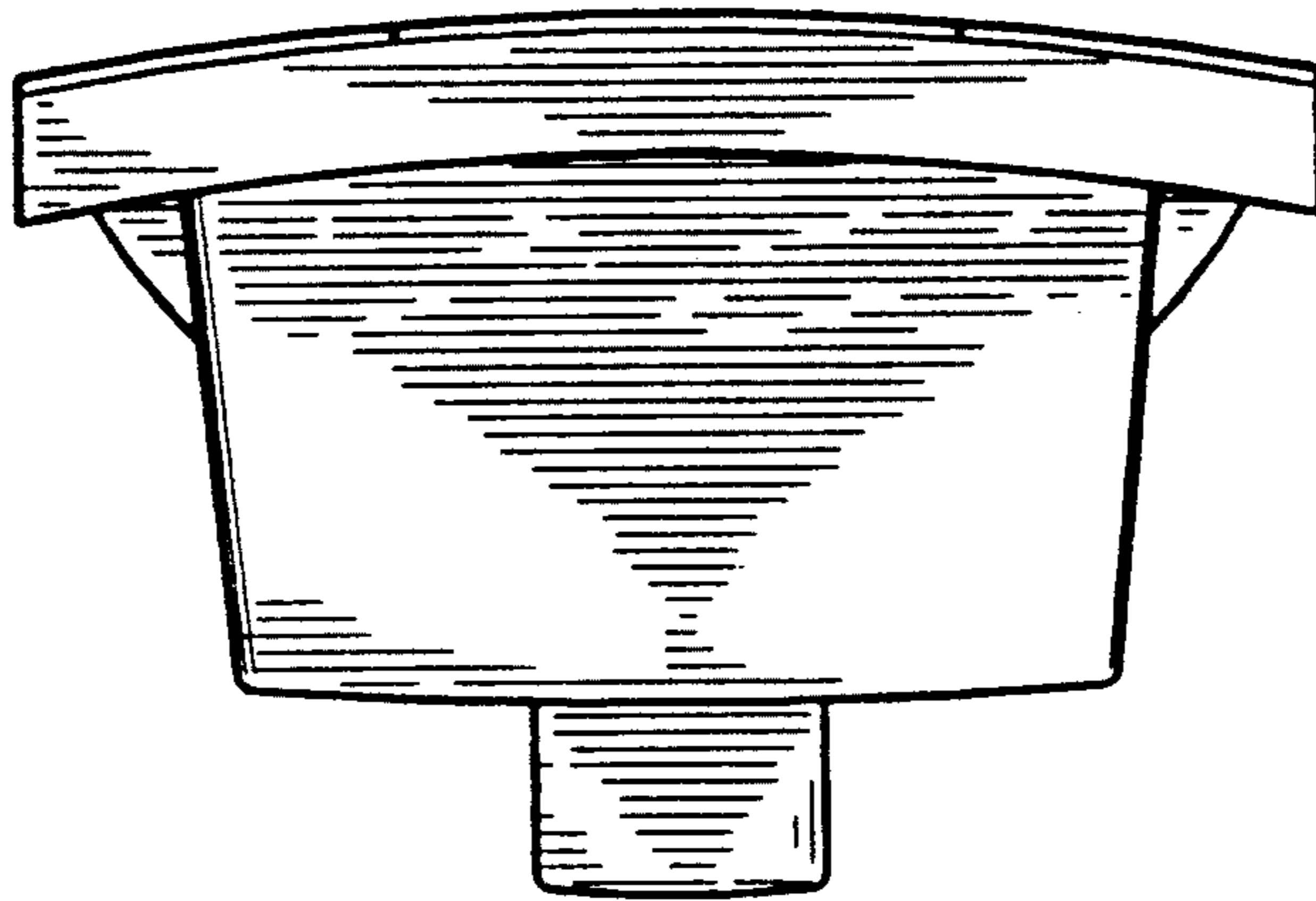


FIG. 6

