



US00D339327S

United States Patent [19]
Crawford et al.

[11] **Patent Number: Des. 339,327**
[45] **Date of Patent: ** Sep. 14, 1993**

[54] **COMPUTER CONSOLE**

D. 331,748 12/1992 Kawai D14/106

[75] **Inventors: Christopher L. Crawford, Mount Joy; Joel Carpenter, Philadelphia; Duncan McArdle, Springfield, all of Pa.**

OTHER PUBLICATIONS

PC Magazine May 5, 1990 p. 124 Macintosh Personal Computer System.

[73] **Assignee: Cardinal Technologies, Inc., Lancaster, Pa.**

Primary Examiner—Wallace R. Burke
Assistant Examiner—Freda S. Nunn
Attorney, Agent, or Firm—Panitch Schwarze Jacobs & Nader

[**] **Term: 14 Years**

[21] **Appl. No.: 770,285**

[57] **CLAIM**

The ornamental design for a computer console, as shown and described.

[22] **Filed: Oct. 1, 1991**

[52] **U.S. Cl. D14/100**

[58] **Field of Search D14/100, 101, 106, 113, D14/124-127; 340/700, 706; 364/708, 709.04; 361/390, 394**

DESCRIPTION

FIG. 1 is a reduced perspective view of a computer console showing our new design; FIG. 2 is a front elevational view thereof; FIG. 3 is a top plan view thereof; FIG. 4 is a right side elevational view thereof; FIG. 5 is a left side elevational view thereof; FIG. 6 is a rear elevational view thereof; and, FIG. 7 is a bottom plan view thereof.

[56] **References Cited**

U.S. PATENT DOCUMENTS

- D. 285,688 9/1986 Manock et al. D14/106
- D. 310,067 8/1990 Koprowski et al. D14/106
- D. 326,647 6/1992 Riley et al. D14/106

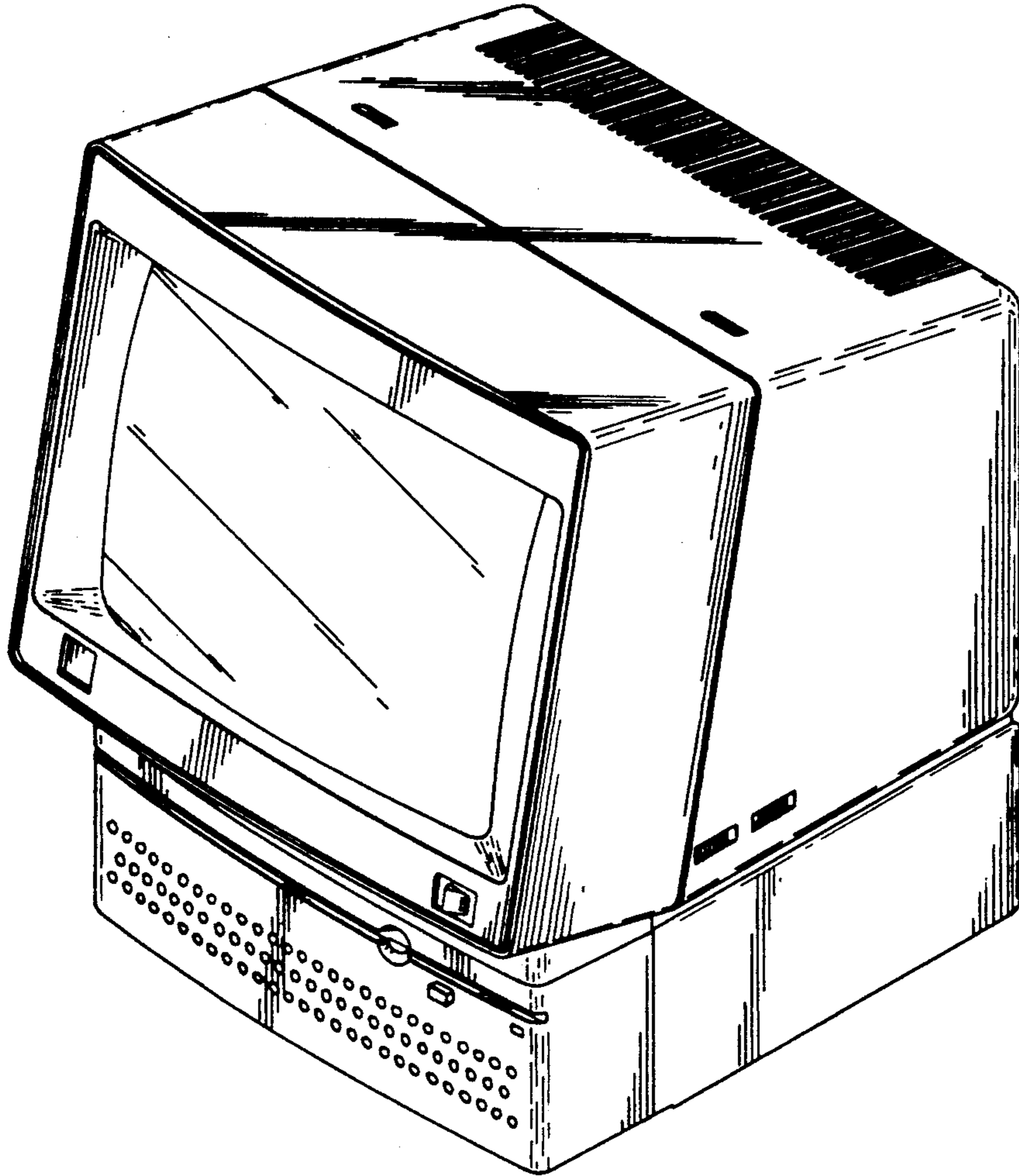


FIG. 1

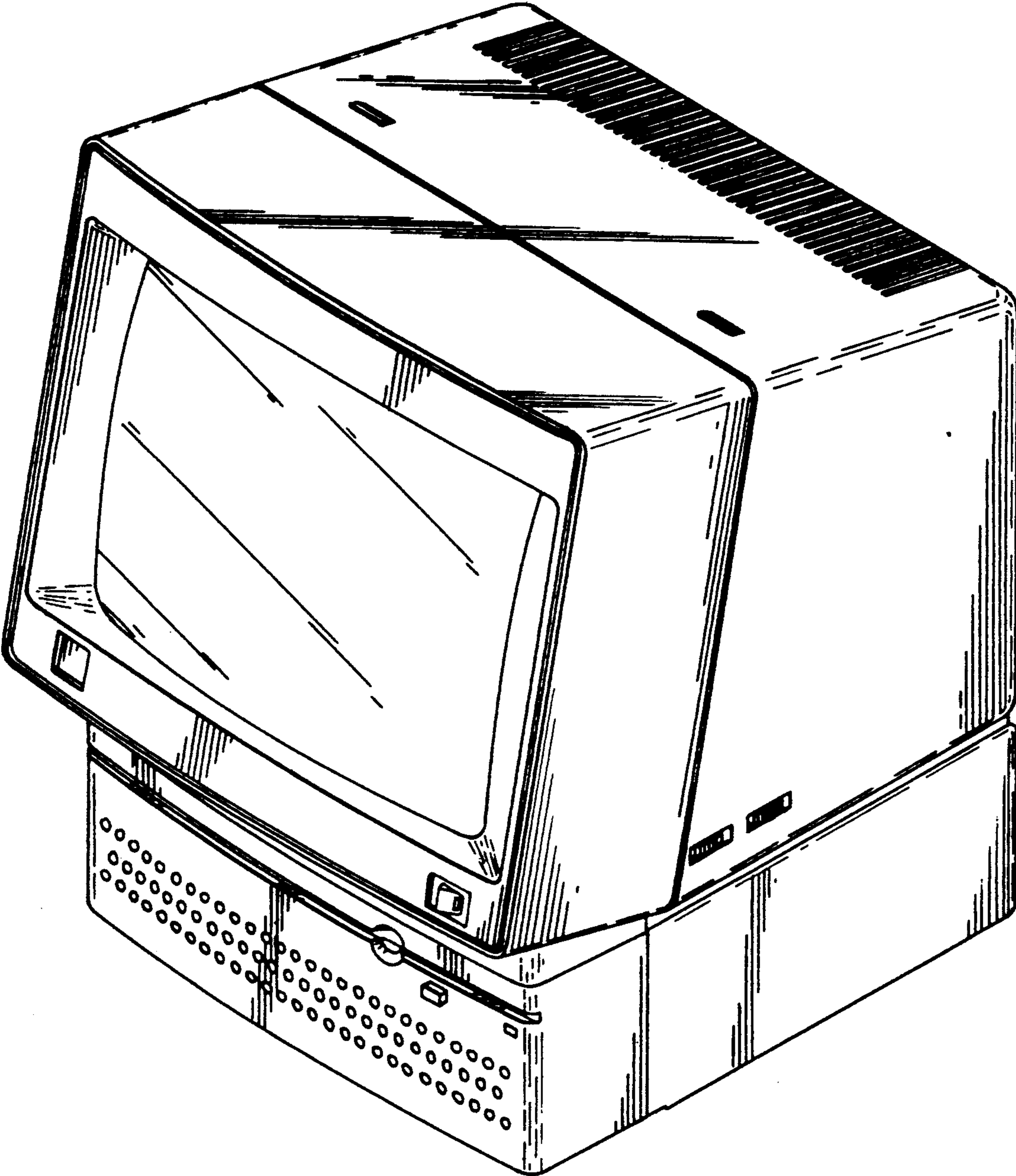


FIG. 2

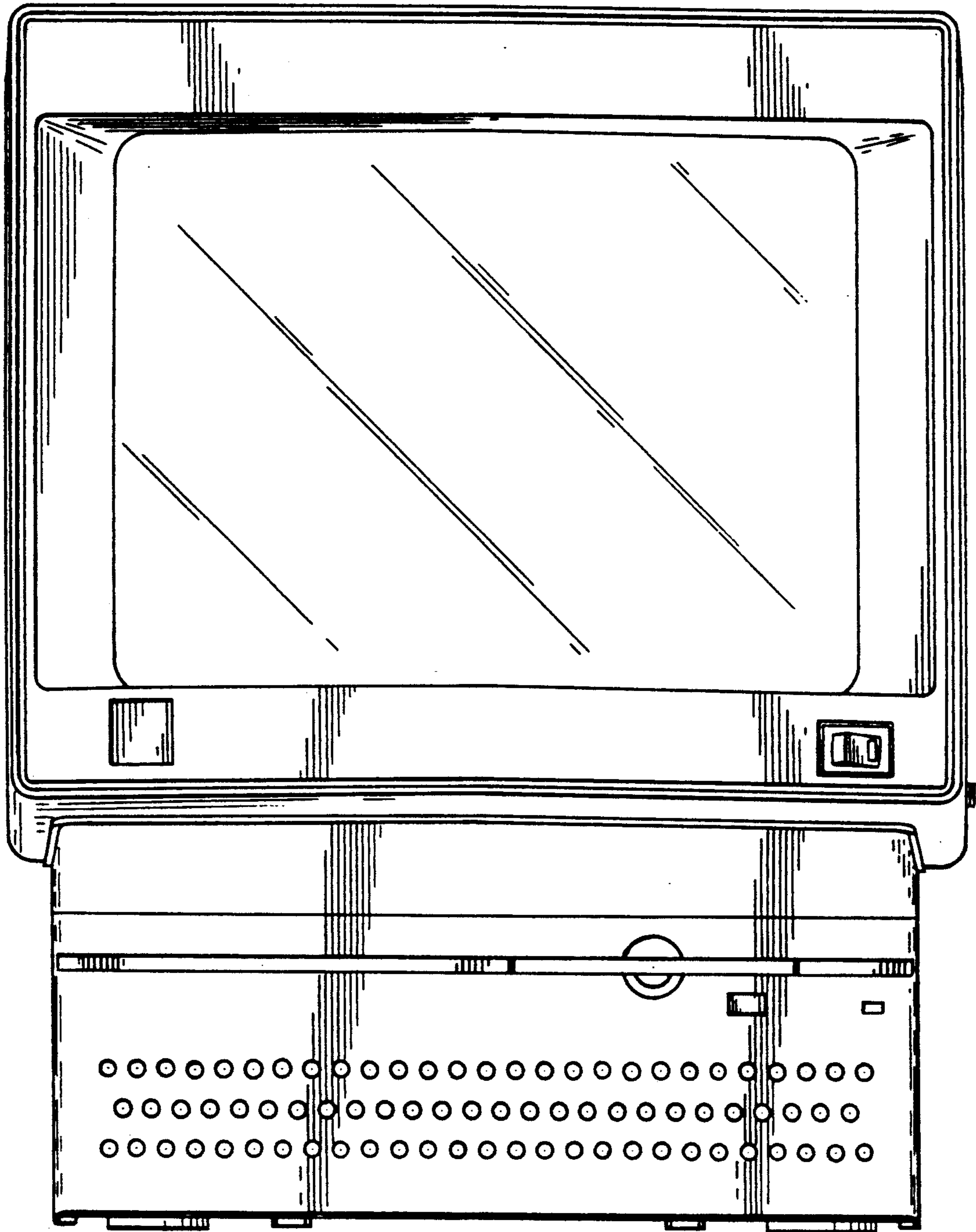


FIG. 3

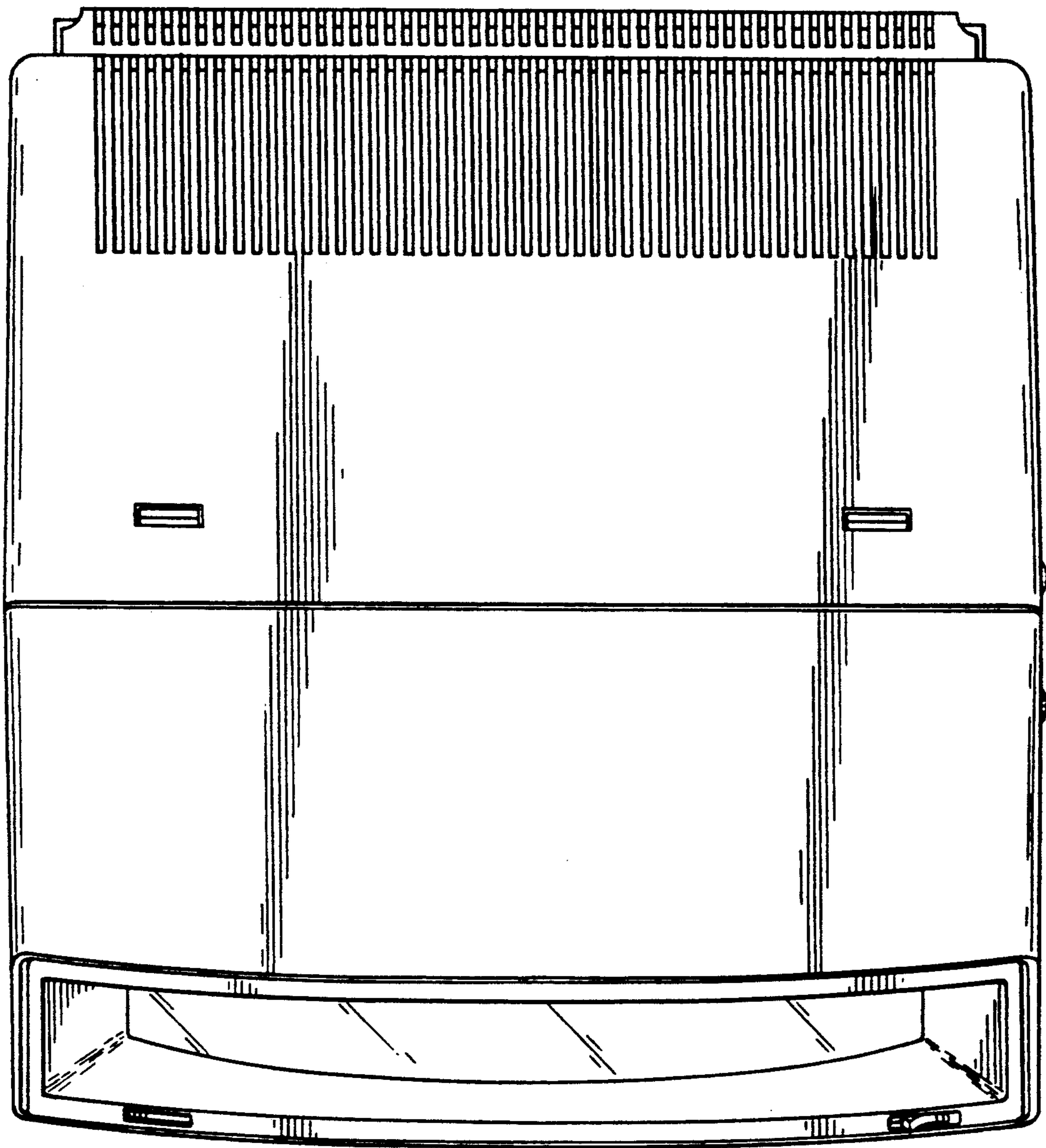


FIG. 4

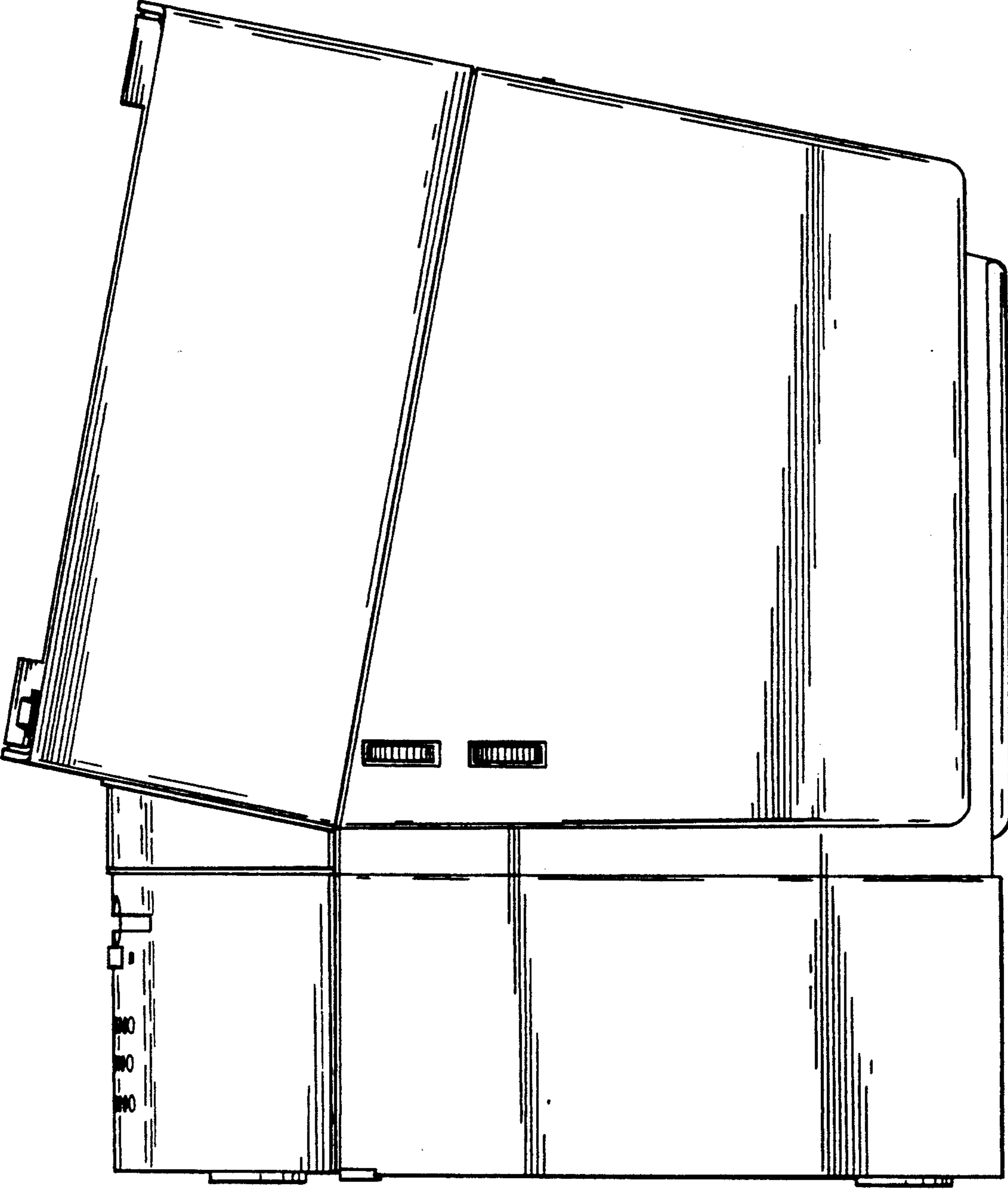


FIG. 5

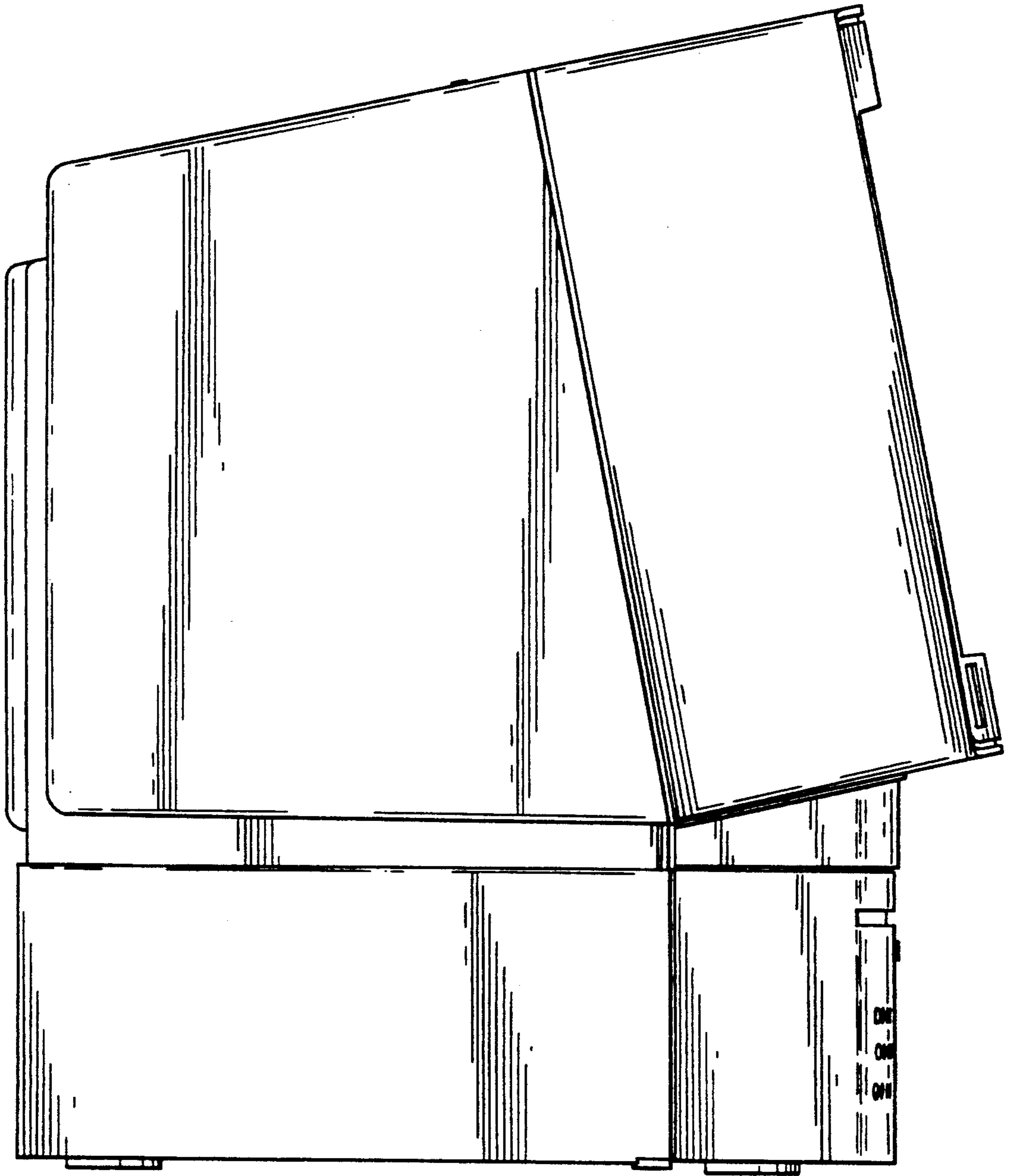


FIG. 6

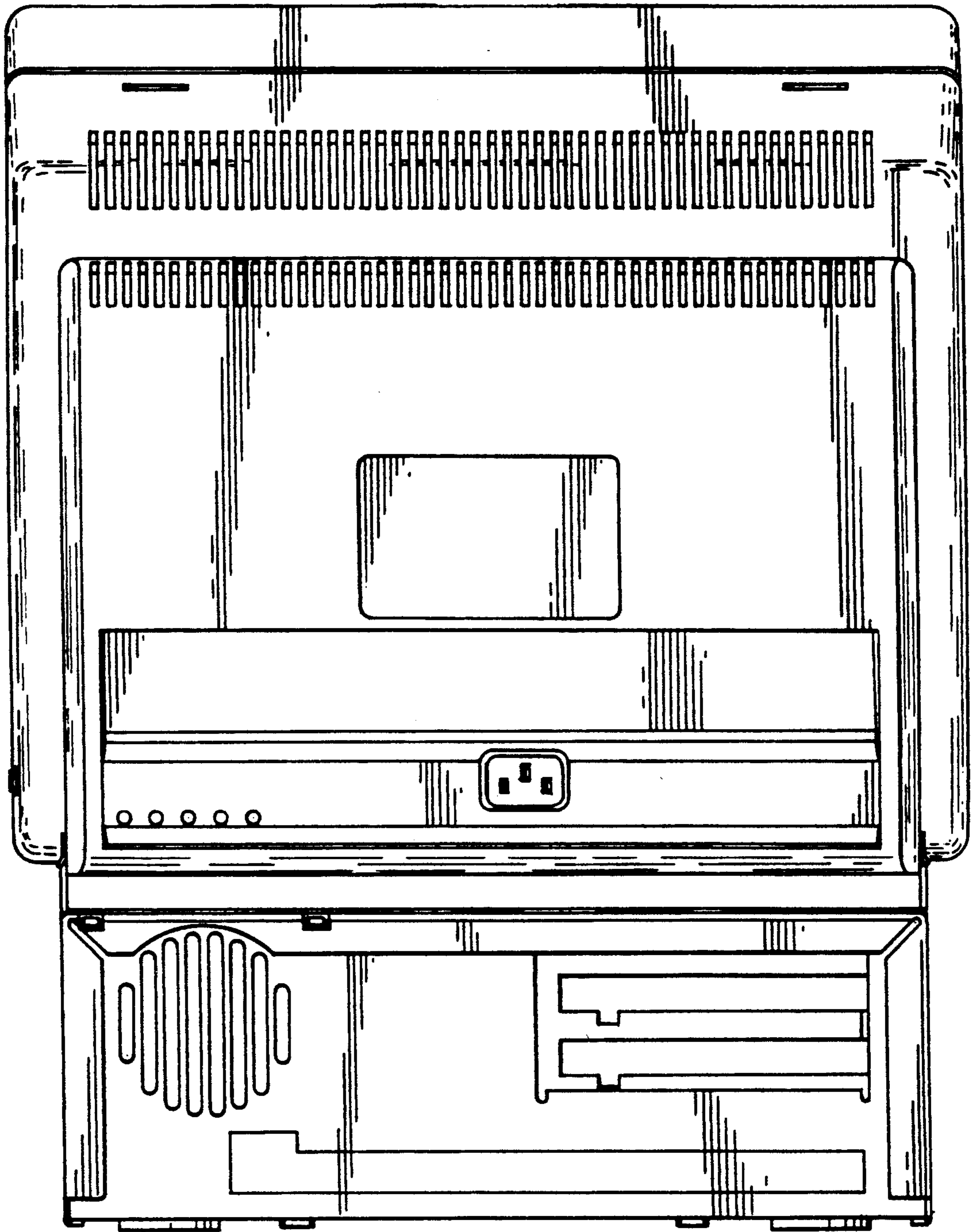


FIG. 7

