



US00D339326S

United States Patent [19]

[11] Patent Number: Des. 339,326

Mayo et al.

[45] Date of Patent: ** Sep. 14, 1993

[54] COMBINED DIMMER CONTROL AND FACE PLATE

[75] Inventors: Noel Mayo, Philadelphia; Joel S. Spira, Coopersburg; Elliot Jacoby, Glenside; Russell J. Jacobs, Center Valley; David C. Luchaco, Macungie, all of Pa.

[73] Assignee: Lutron Electronics Co., Inc., Coopersburg, Pa.

[**] Term: 14 Years

[21] Appl. No.: 226,153

[22] Filed: Jul. 29, 1988

[52] U.S. Cl. D13/170

[58] Field of Search D8/350-353; D13/32, 37, 38, 170; 174/66; 220/241; 200/310, 341; 323/905; D10/40

[56] References Cited

U.S. PATENT DOCUMENTS

D. 303,658	9/1989	Spira et al.	D13/32
4,563,592	1/1986	Yuhasz et al.	323/905
4,783,581	11/1988	Flowers et al.	323/905

OTHER PUBLICATIONS

Lutron Electronics Co.—Nova T* Brochure P/N 360-172; May, 1985.

Lutron Electronics Co.—Nova Brochure P/N 362-023; Jun. 1988.

Primary Examiner—B. J. Bullock

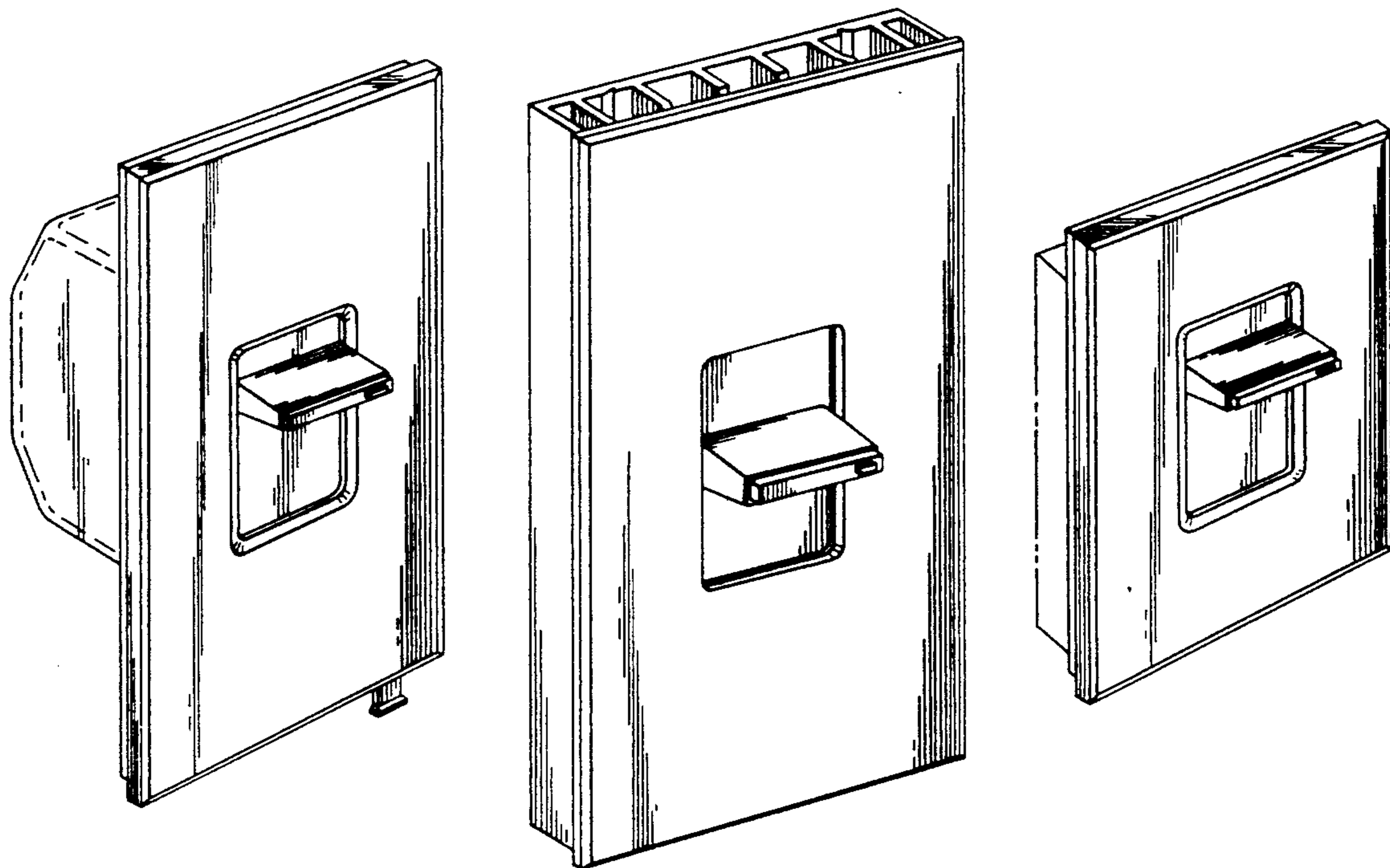
Attorney, Agent, or Firm—Seidel, Gonda, Lavorgna & Monaco

[57] CLAIM

The ornamental design for a combined dimmer control and face mate, as shown and described.

DESCRIPTION

FIG. 1 is a front elevational view of the combined dimmer control and face plate showing our new design; FIG. 2 is a right side elevational view thereof, the left side being a mirror image; FIG. 3 is a bottom plan view thereof, the top being substantially a mirror image; FIG. 4 is an isometric perspective view thereof; FIG. 5 is a front elevational view of the second embodiment of the design of FIG. 1, the only difference being the configuration of the switch; FIG. 6 is a front elevational view of the third embodiment of the design of FIG. 1, the rear being unornamented; FIG. 7 is a right side elevational view of FIG. 6, the left side being a mirror image; FIG. 8 is a bottom plan view of FIG. 6, the top being a mirror image; FIG. 9 is an isometric perspective view of FIG. 6; FIG. 10 is a front elevational view of a fourth embodiment of FIG. 1, the rear being unornamented; FIG. 11 is a right side elevational view of FIG. 10, the left side being a mirror image; FIG. 12 is a bottom plan view of FIG. 10, the top being a mirror image; and, FIG. 13 is an isometric perspective view of FIG. 10. The switch housing shown in broken lines in FIGS. 11-13 is for illustrative purposes only.



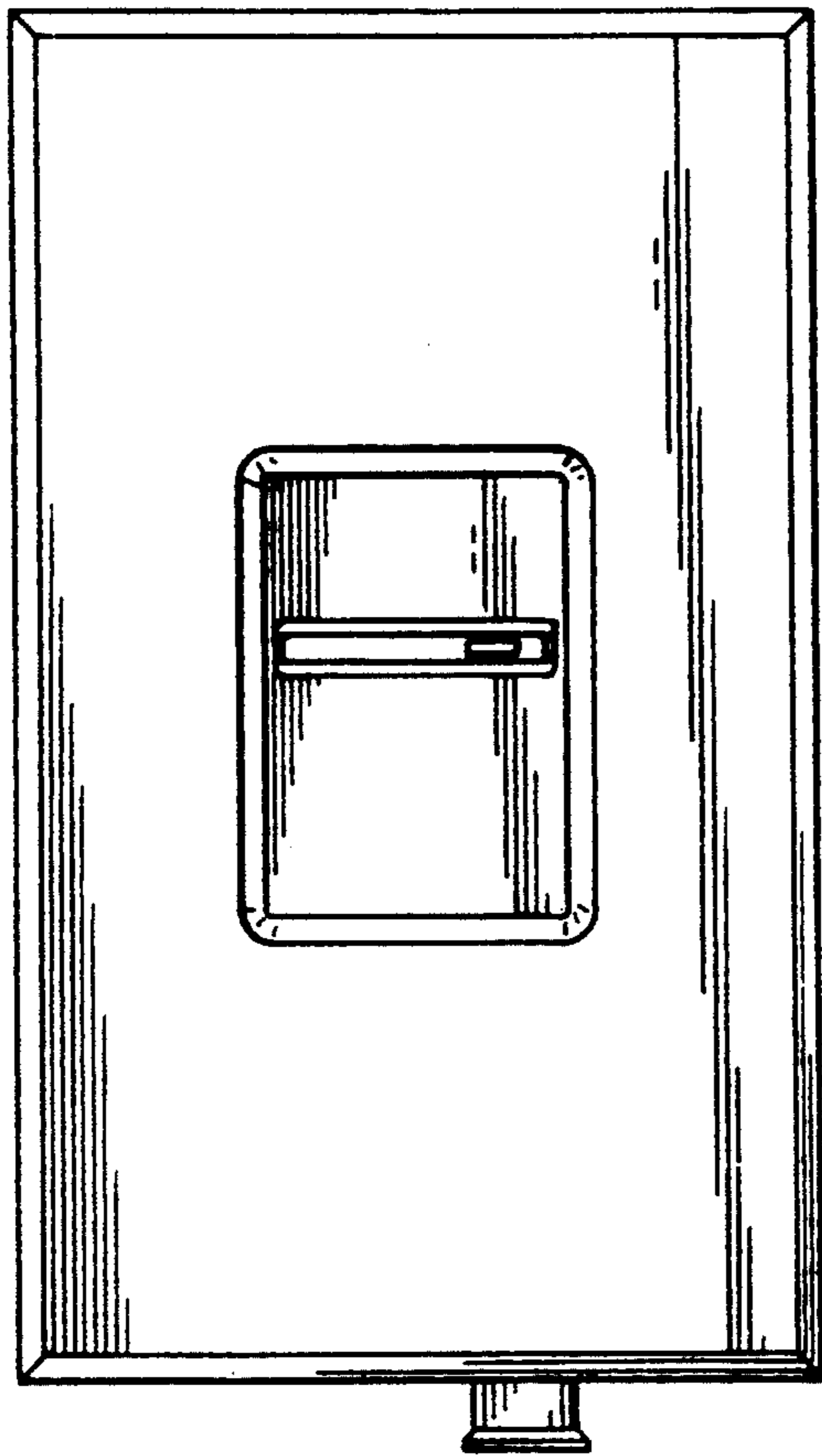


FIG. 1

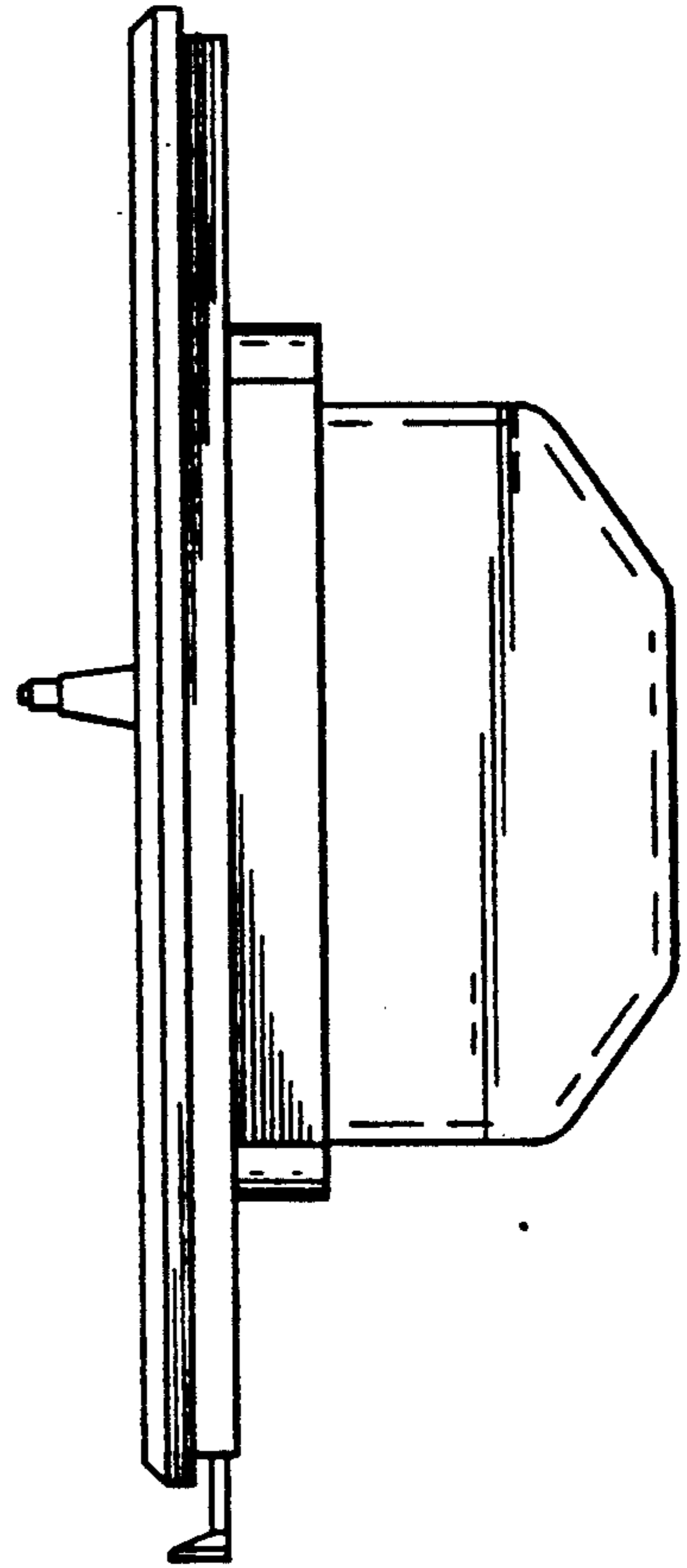


FIG. 2

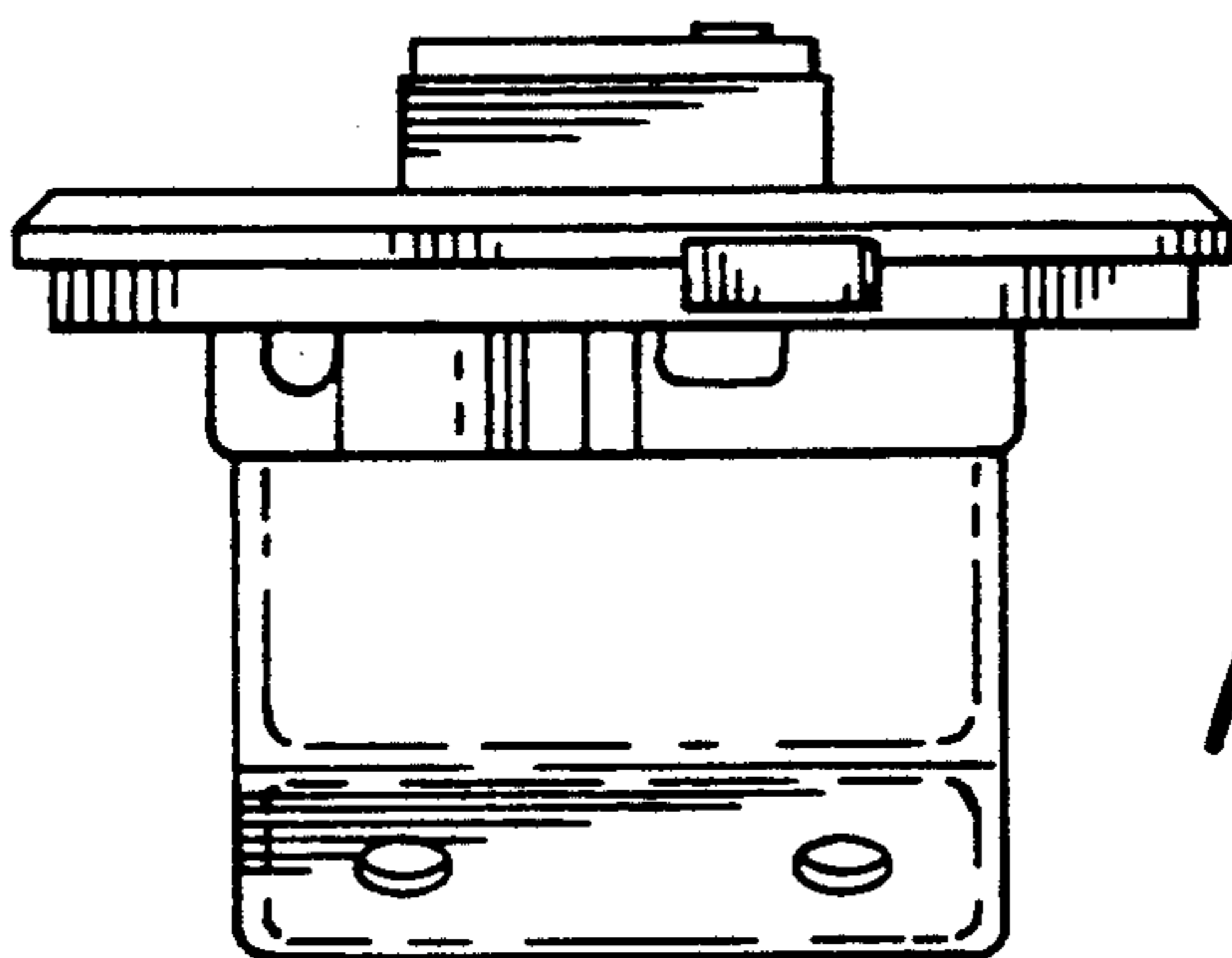


FIG. 3

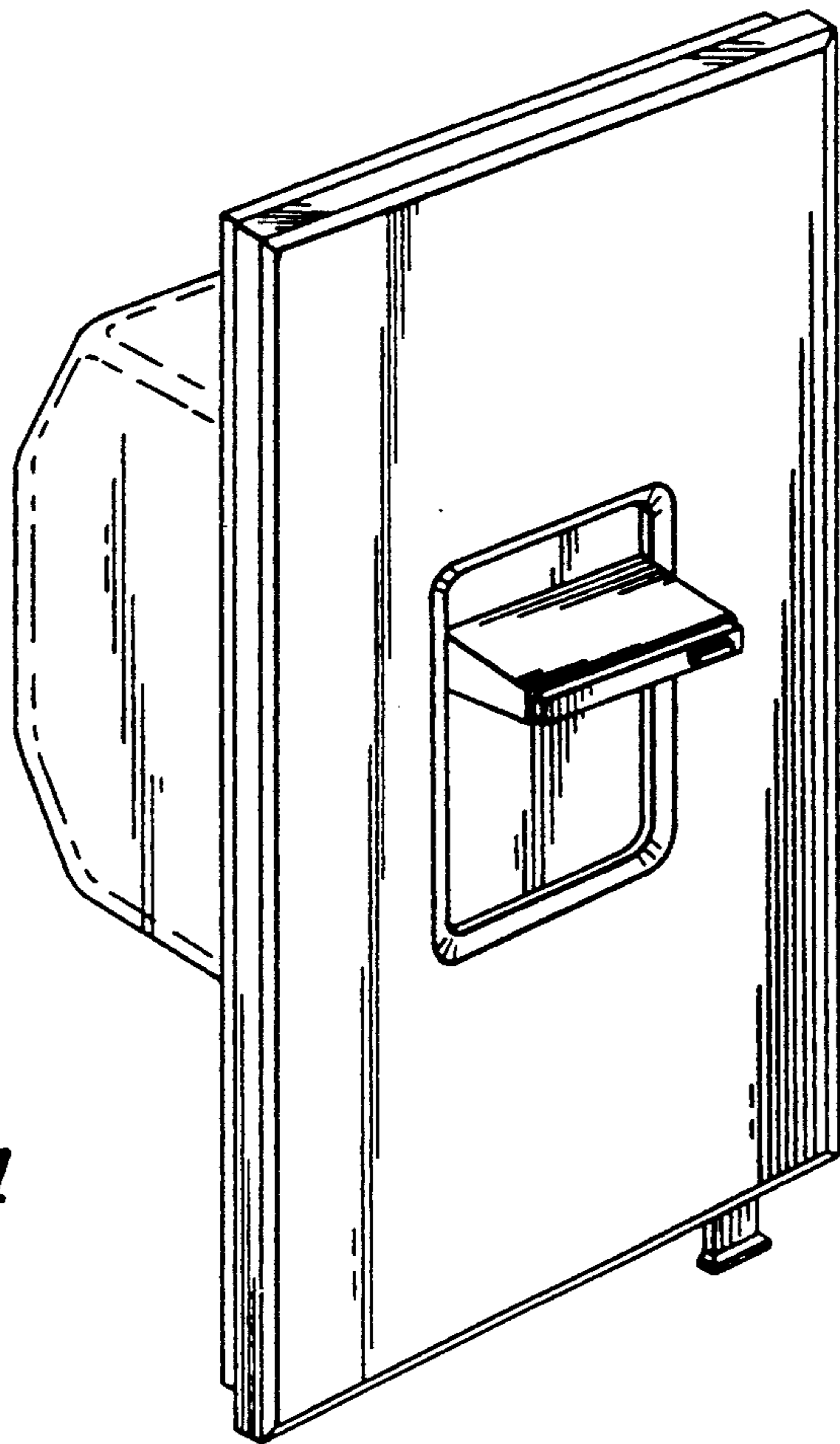


FIG. 4

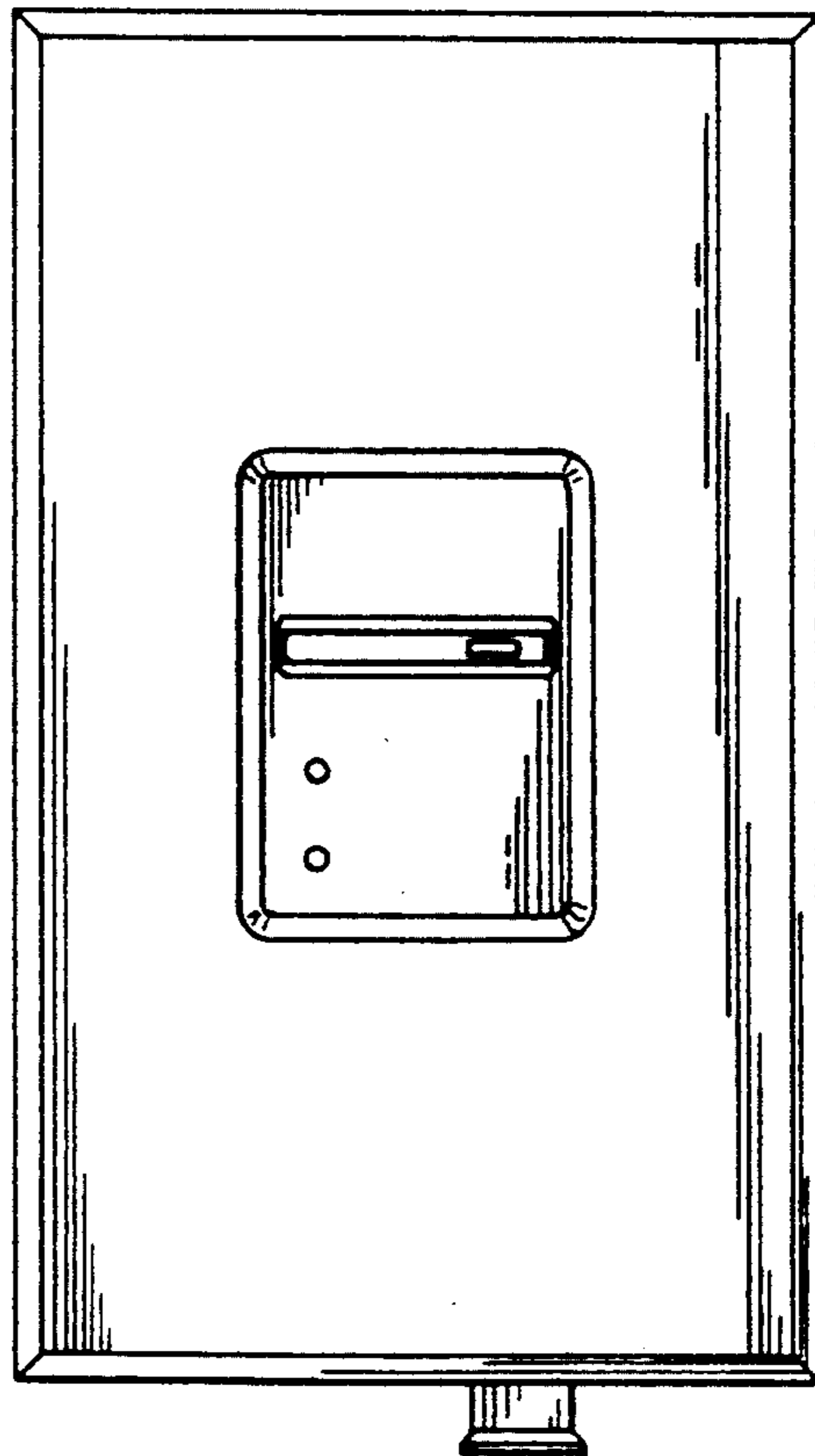


FIG. 5

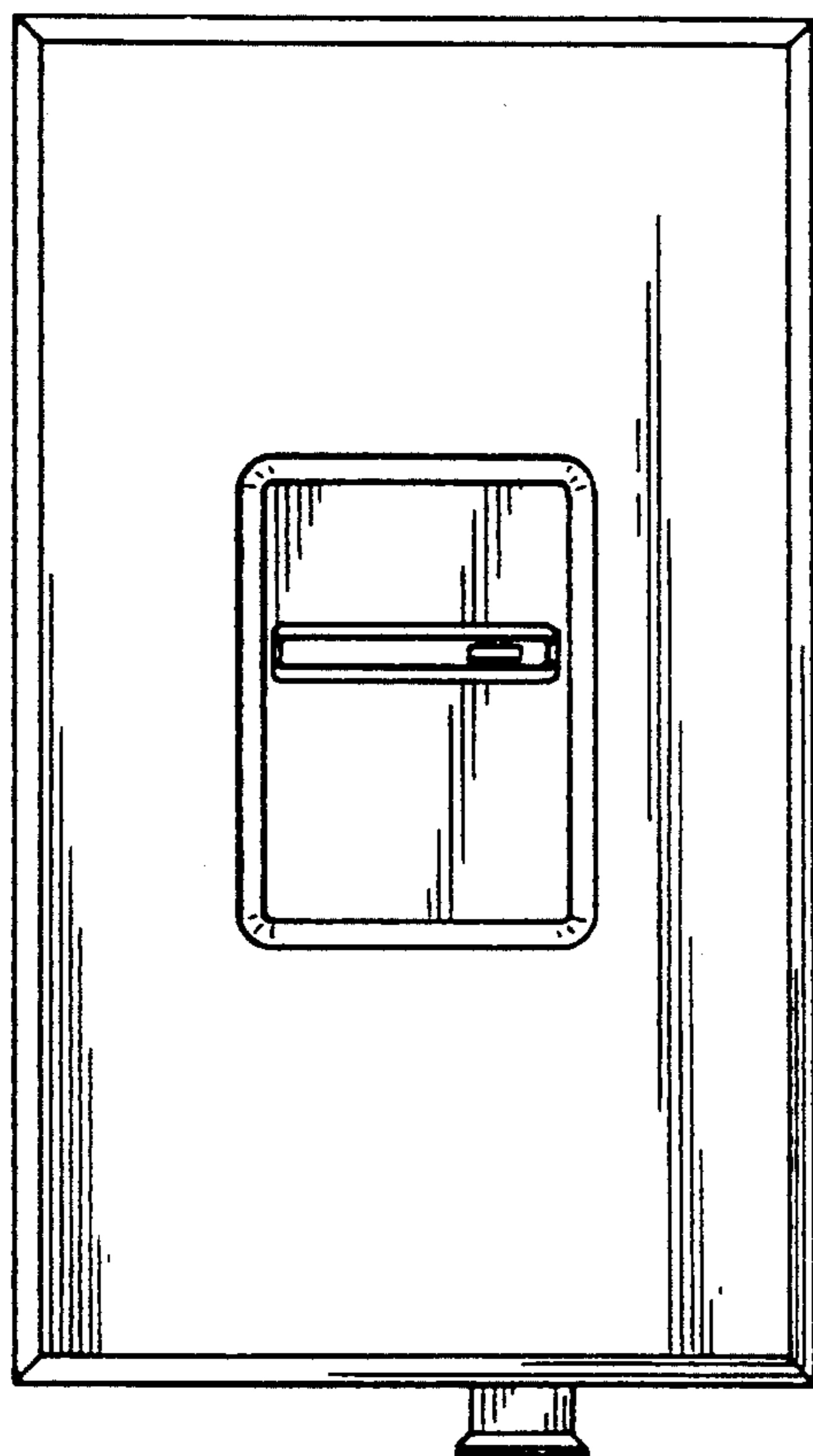


FIG. 6

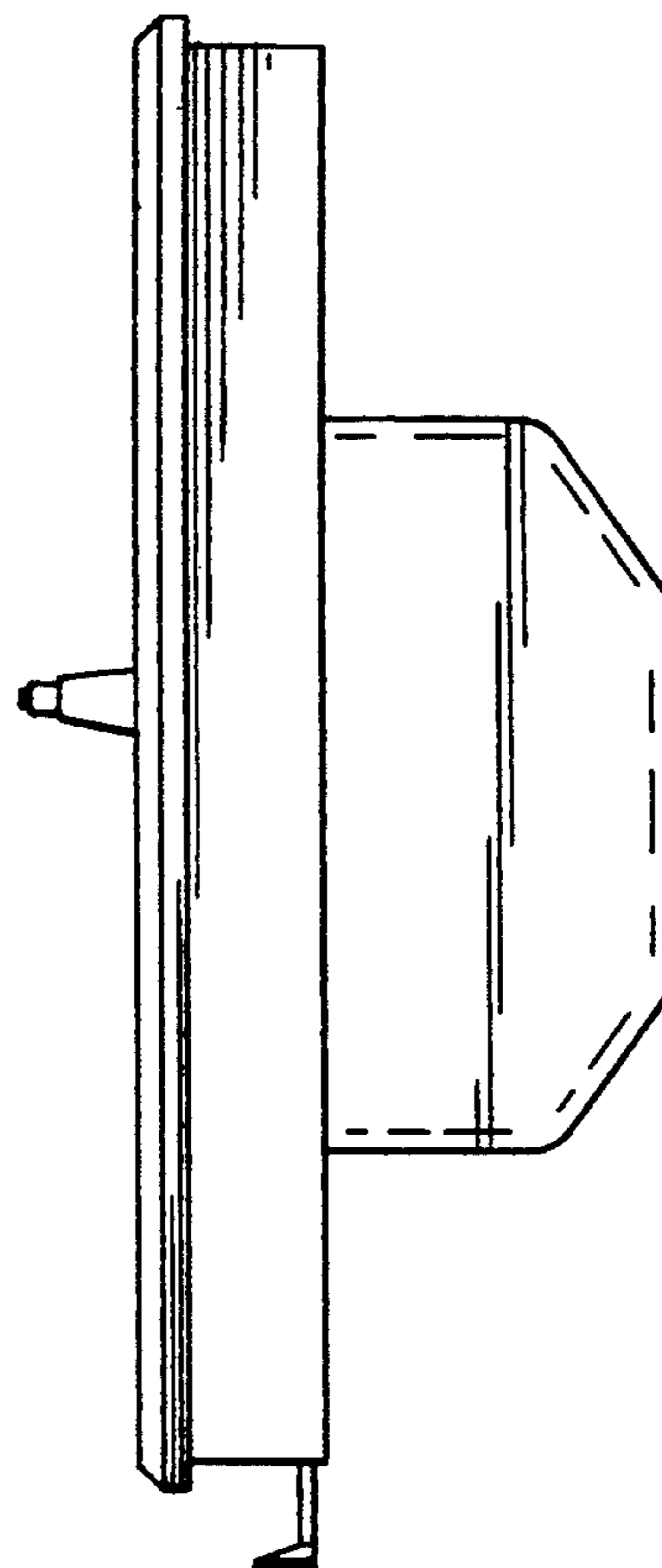


FIG. 7

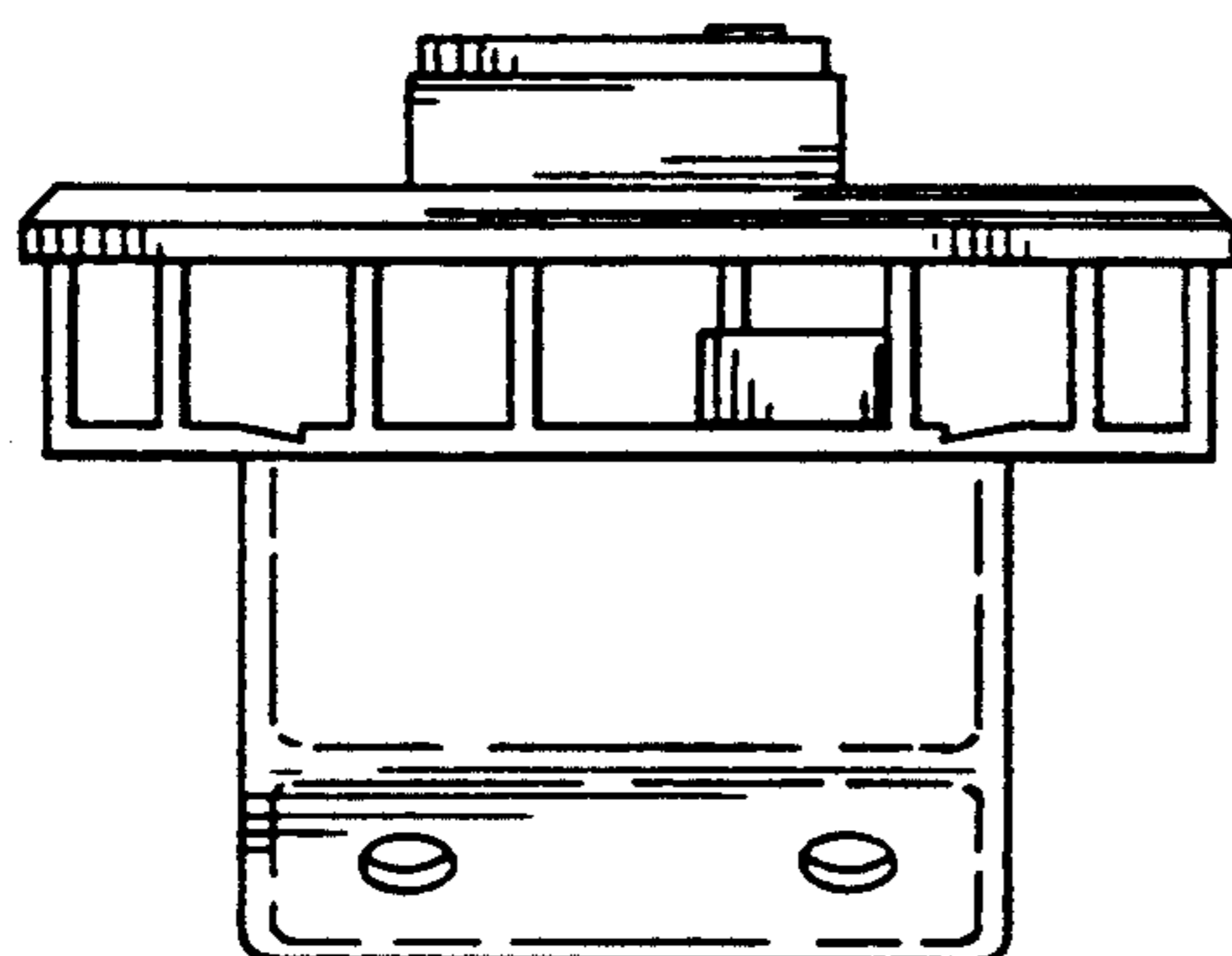


FIG. 8

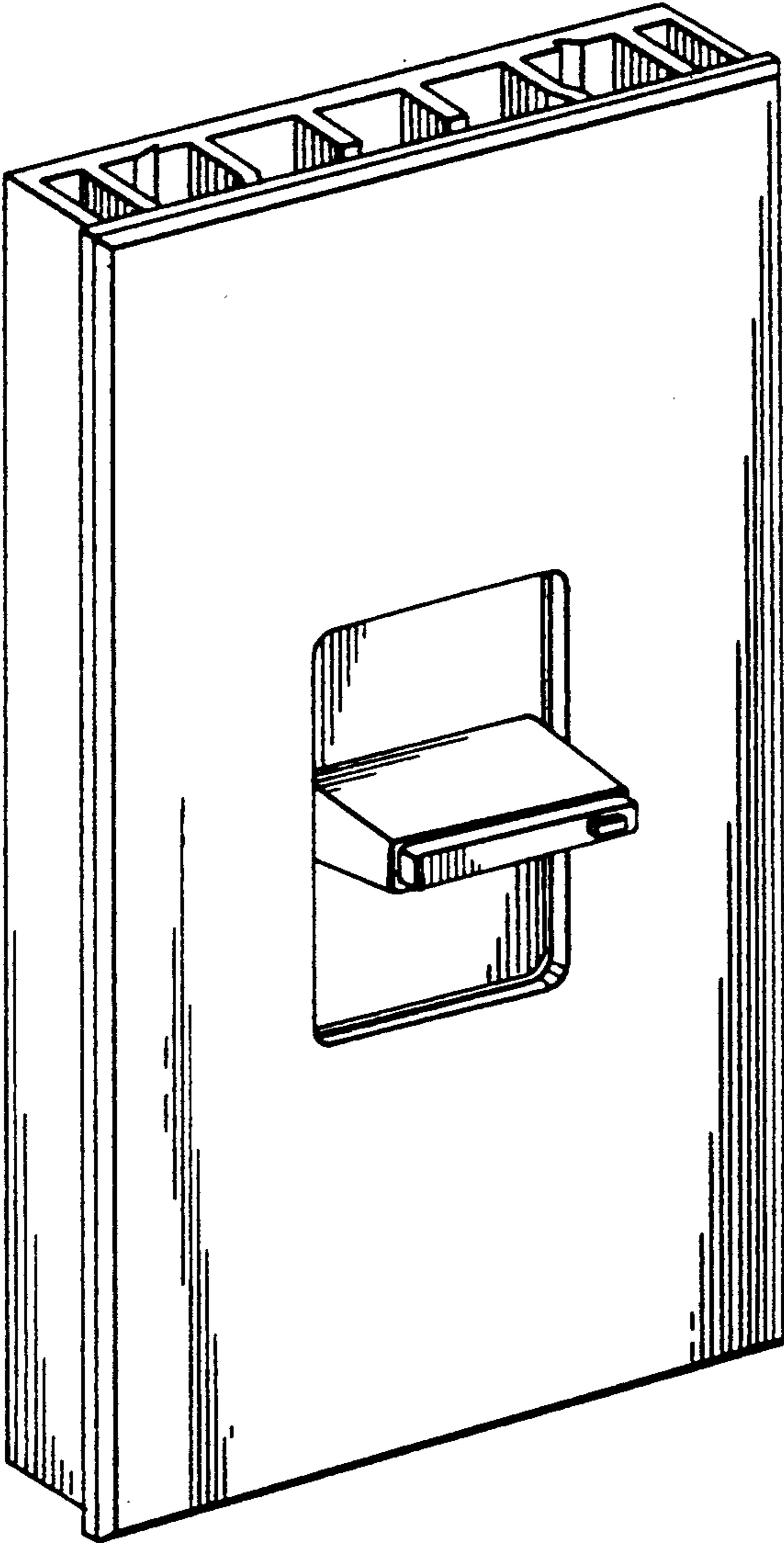


FIG. 9

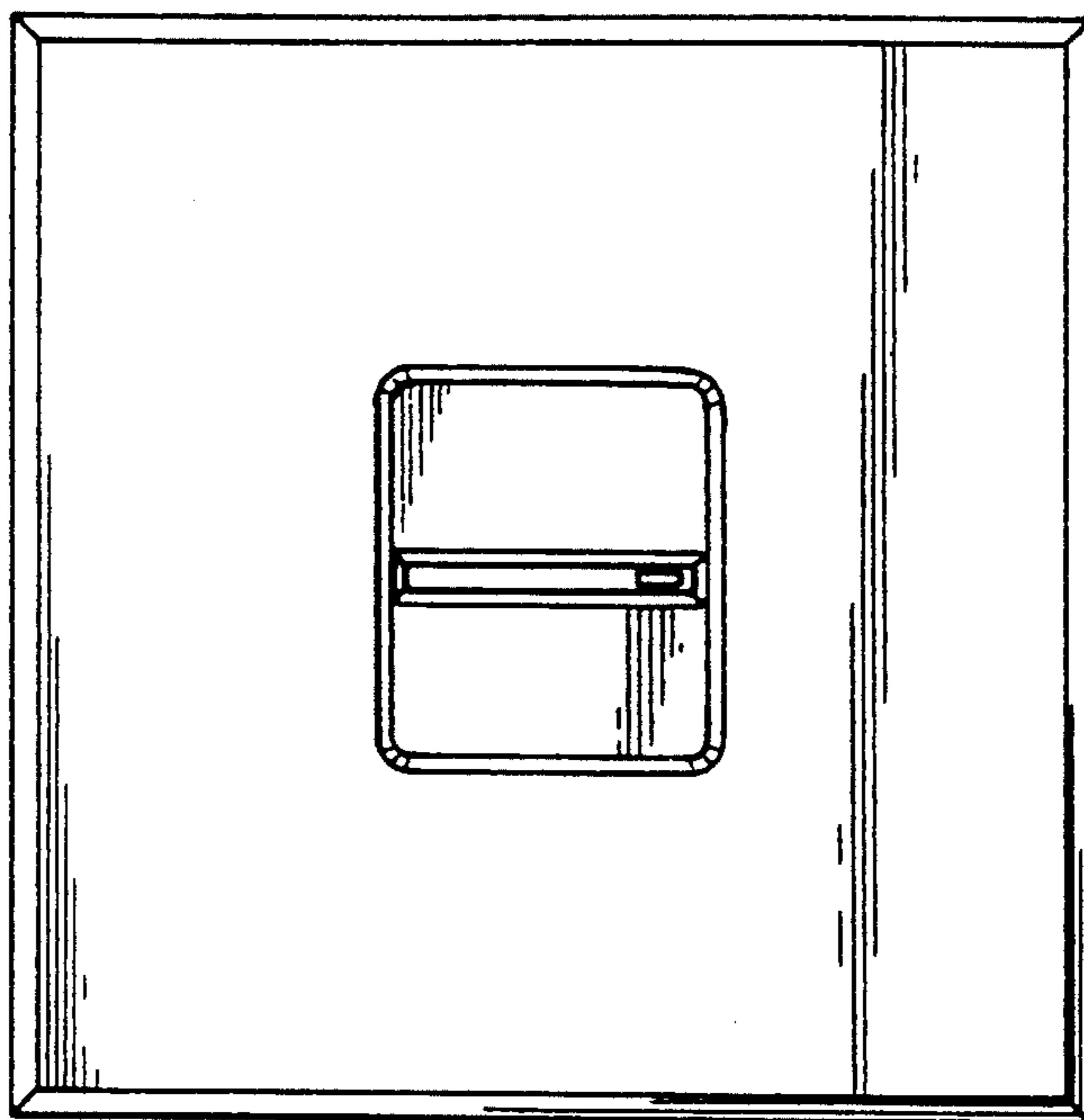


FIG. 10

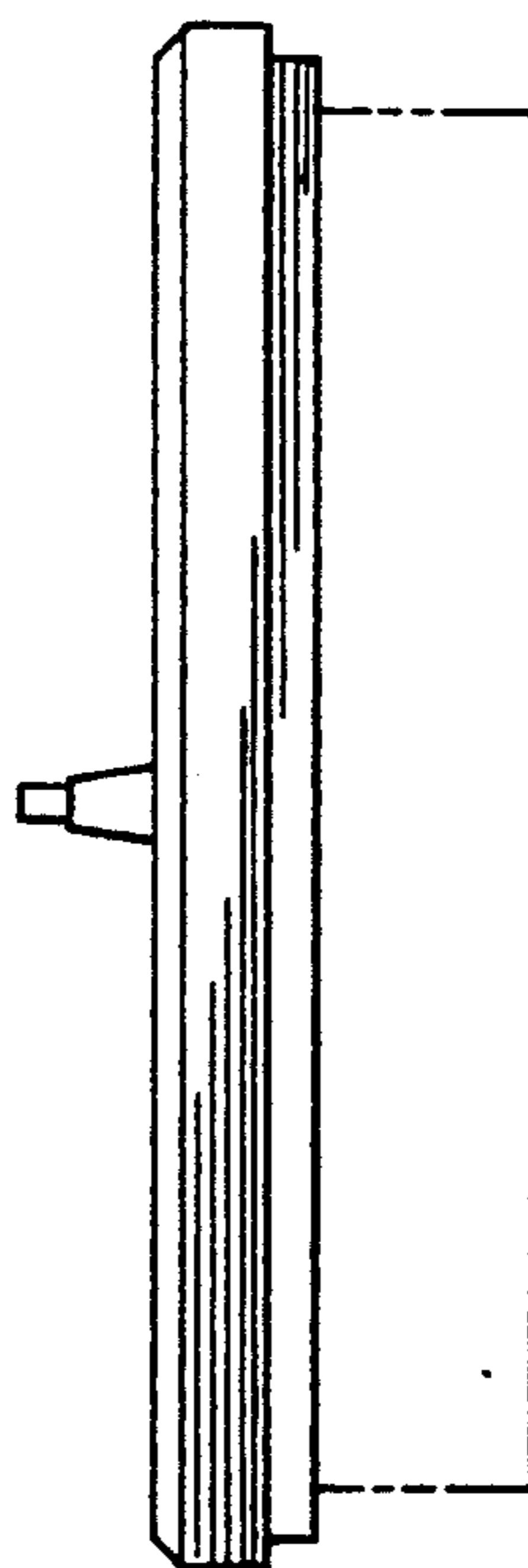


FIG. 11

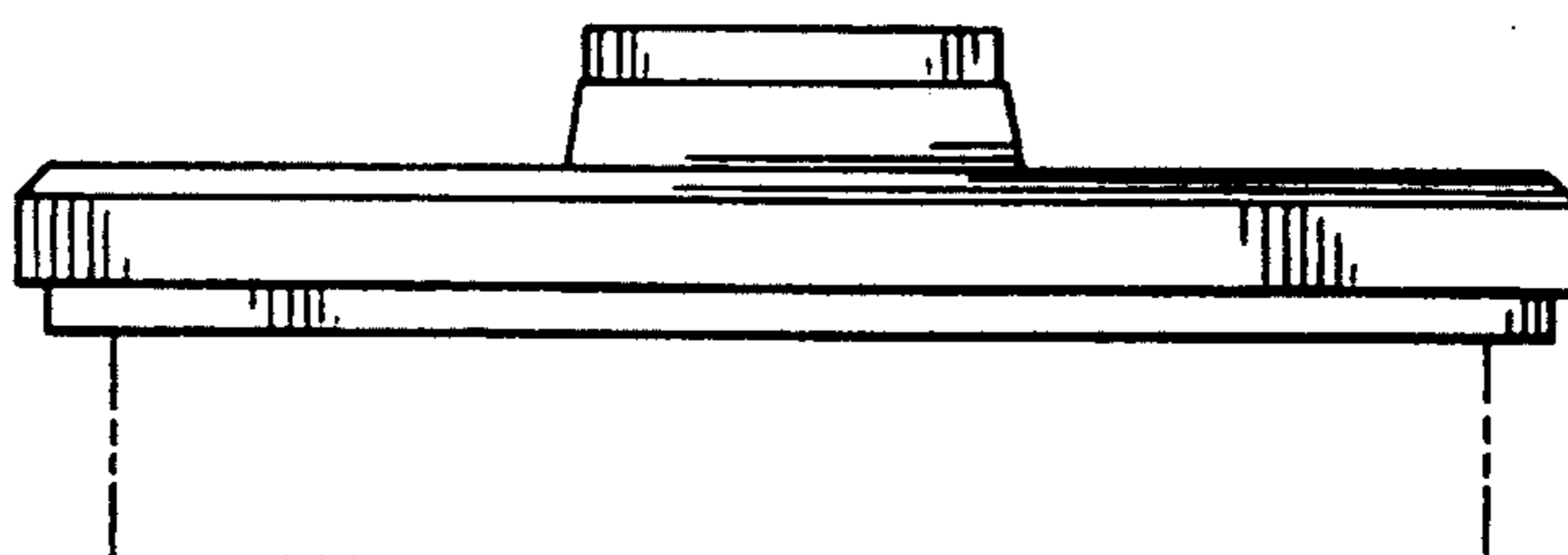


FIG. 12

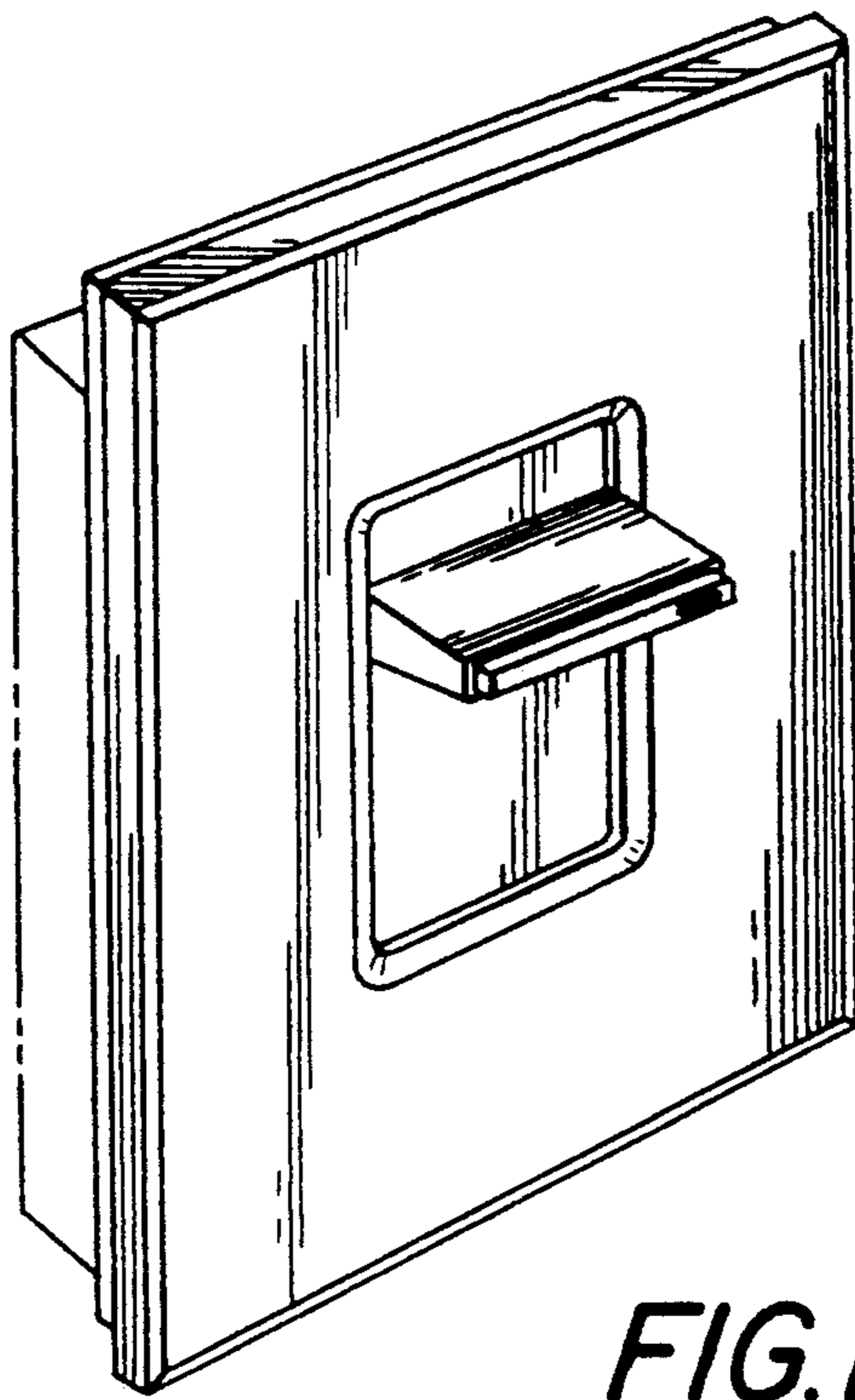


FIG. 13