



US00D339324S

United States Patent [19]

Ahn et al.

[11] Patent Number: **Des. 339,324**

[45] Date of Patent: **** Sep. 14, 1993**

[54] **GAS DISCHARGE LAMP BALLAST**

[75] Inventors: **Youngkee Ahn, Buffalo Grove; Rembert R. Stokes, Inverness, both of Ill.**

[73] Assignee: **Motorola Lighting, Inc., Buffalo Grove, Ill.**

[**] Term: **14 Years**

[21] Appl. No.: **695,289**

[22] Filed: **May 3, 1991**

Related U.S. Application Data

[63] Continuation-in-part of Ser. No. 677,925, Apr. 1, 1991, Pat. No. 5,179,506.

[52] U.S. Cl. **D13/110**

[58] Field of Search **D13/101, 110, 123, 124; 315/224, 225, 307; 336/90; 361/399**

[56] **References Cited**

U.S. PATENT DOCUMENTS

4,916,363 4/1990 Burton et al. 336/90 X
4,924,152 5/1990 Flickinger 361/399 X

FOREIGN PATENT DOCUMENTS

3901285 7/1990 Fed. Rep. of Germany 336/90

Primary Examiner—Wallace R. Burke

Assistant Examiner—Joel Sincavage

Attorney, Agent, or Firm—J. Ray Wood

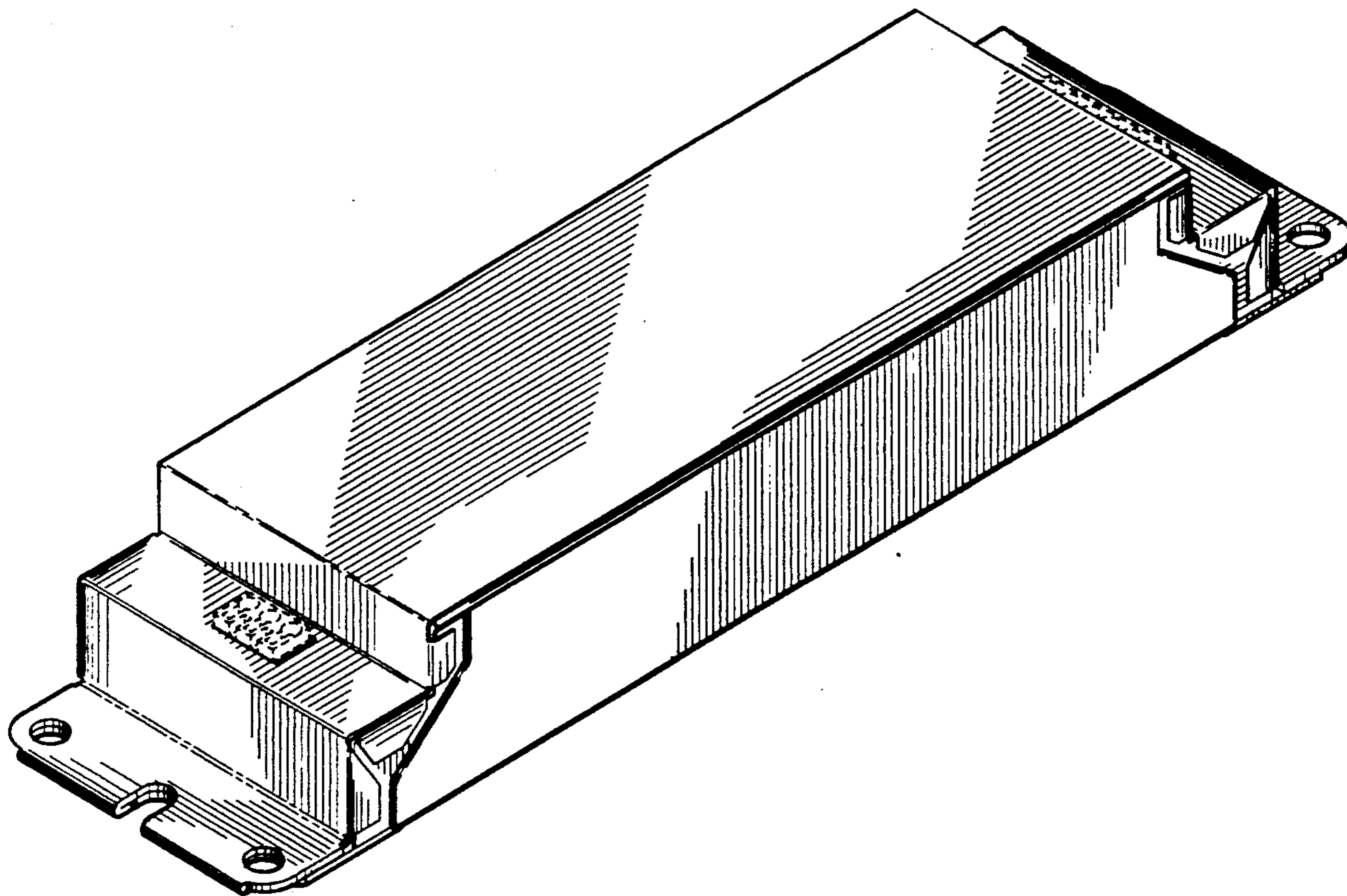
[57] **CLAIM**

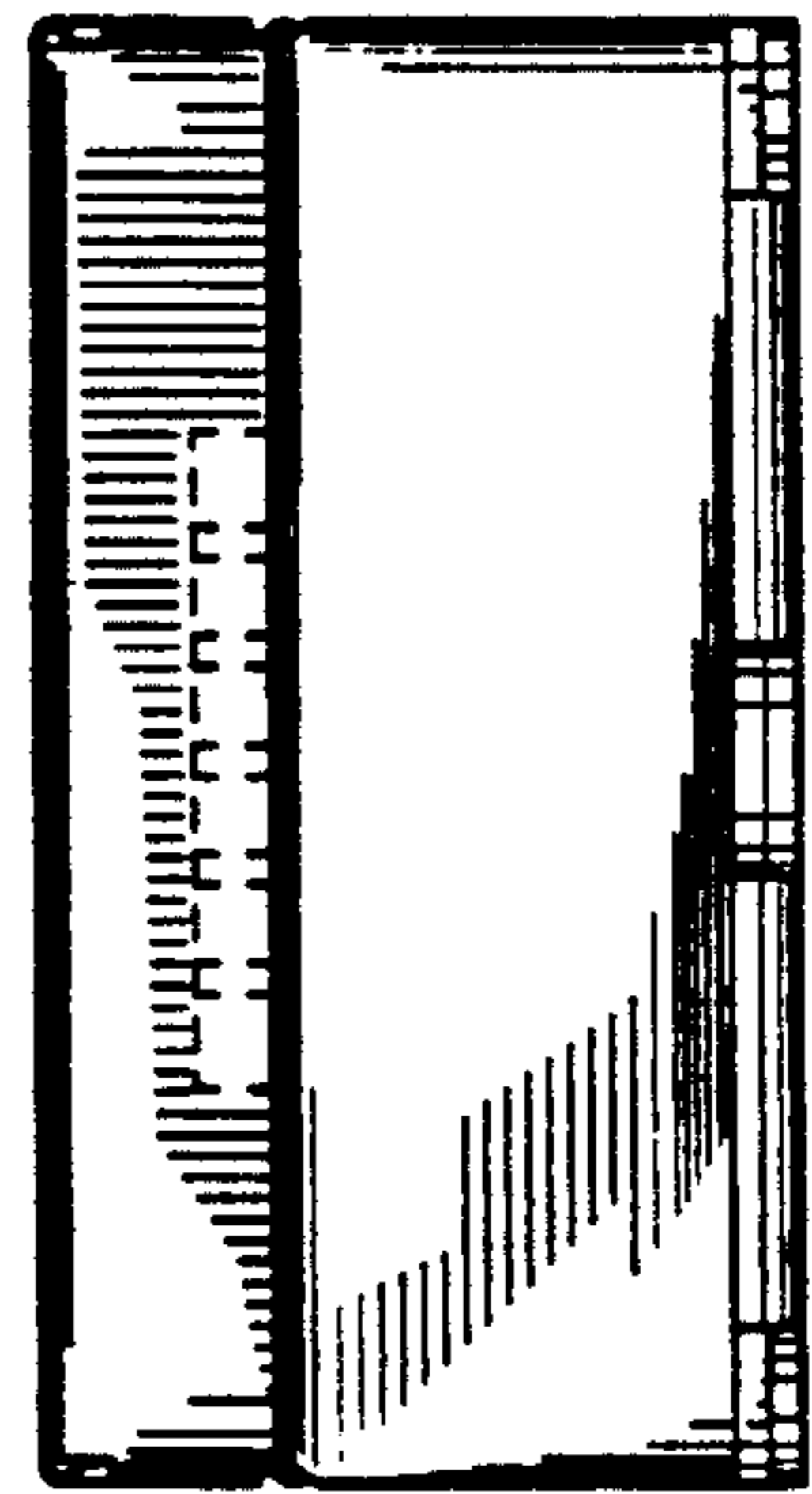
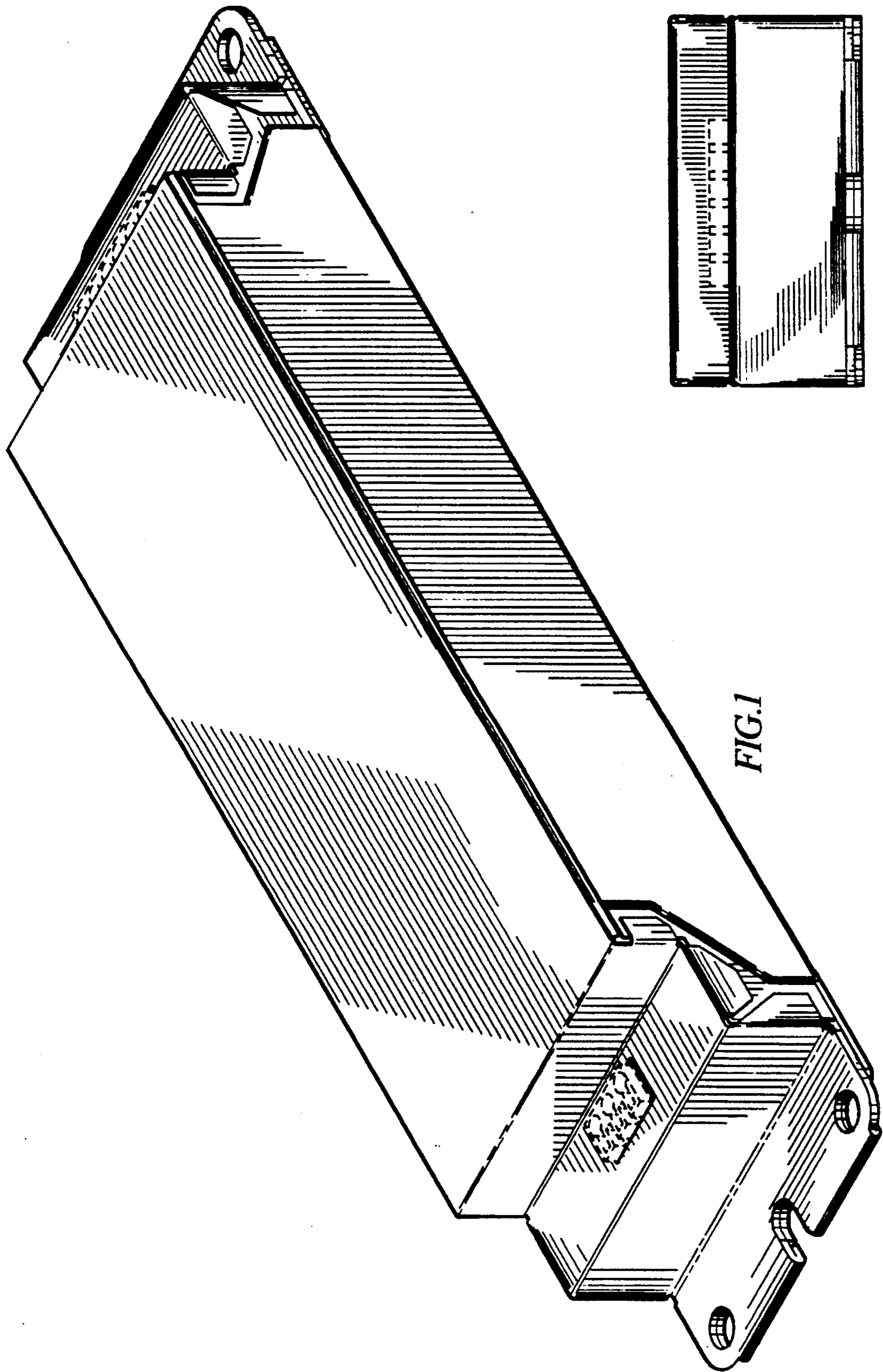
The ornamental design for a gas discharge lamp ballast, as shown and described.

DESCRIPTION

FIG. 1 is a top, front and left side perspective view of a gas discharge lamp ballast showing our new design; FIG. 2 is a right side elevational view thereof; FIG. 3 is a rear elevational view thereof; and, FIG. 4 is a bottom plan view thereof.

The connector blocks in FIG. 1, FIG. 2, and FIG. 3 are for illustrative purposes only and form no part of the claimed design.





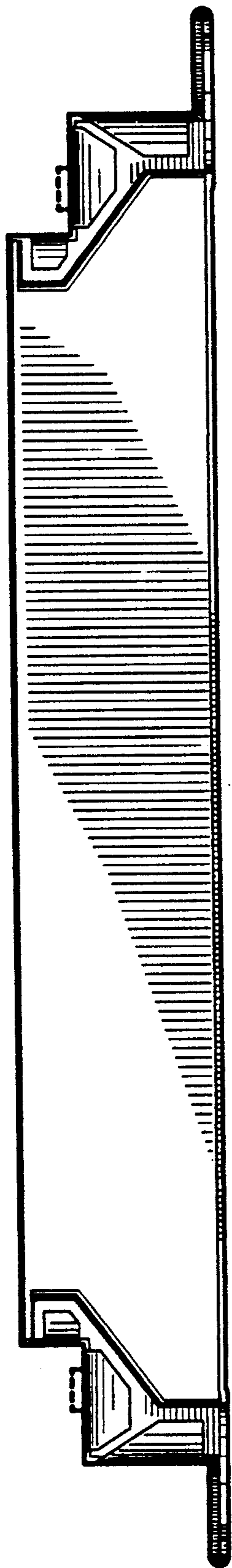


FIG.3

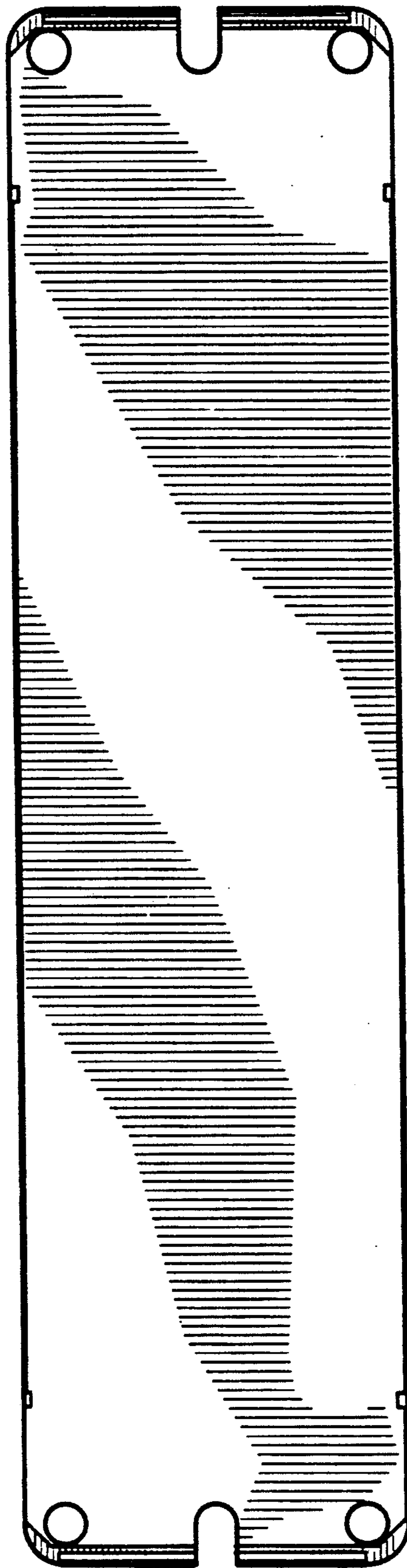


FIG.4