



US00D339308S

**United States Patent** [19]  
**Knuppel**

[11] **Patent Number: Des. 339,308**  
[45] **Date of Patent: \*\* Sep. 14, 1993**

[54] **REMOTE CONTROL LOCATOR**

[76] **Inventor: Donald E. Knuppel, 138 N. Comet Ave. #13, Panama City, Fla. 32404**

[\*\*] **Term: 14 Years**

[21] **Appl. No.: 745,372**

[22] **Filed: Aug. 15, 1991**

[52] **U.S. Cl. .... D10/106**

[58] **Field of Search ..... D10/104, 106, 121; D14/155; 340/328, 571-573, 689**

[56] **References Cited**

**U.S. PATENT DOCUMENTS**

- D. 316,528 4/1991 Wilson, Jr. .... D10/106
- 3,230,520 1/1966 Lurie .
- 4,101,873 7/1978 Anderson .
- 4,296,408 10/1981 Neuringer .

**FOREIGN PATENT DOCUMENTS**

- 60-71382 4/1985 Japan .
- 60-71383 4/1985 Japan .

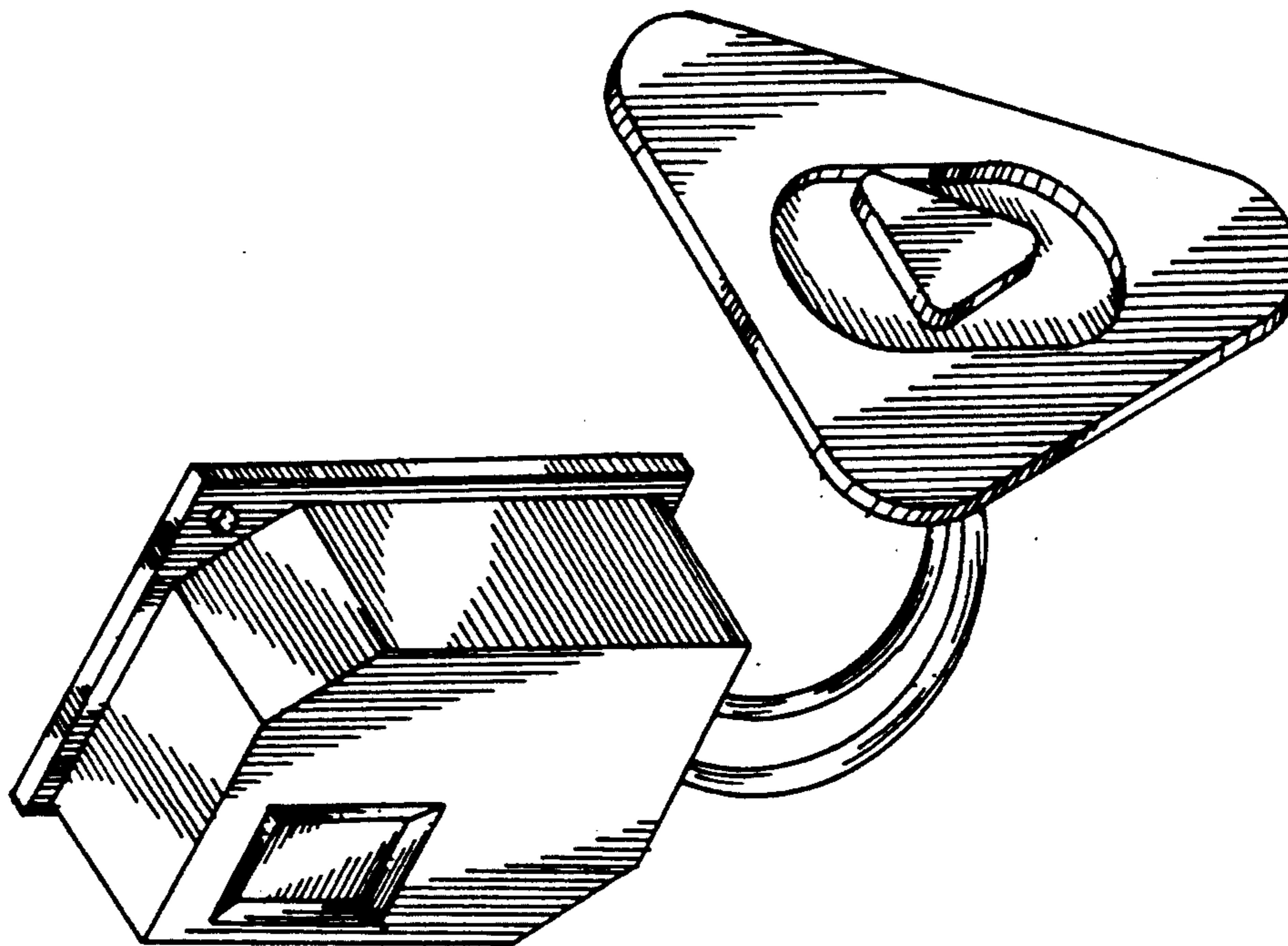
*Primary Examiner*—Terry A. Pfeffer  
*Attorney, Agent, or Firm*—Terry M. Gernstein

[57] **CLAIM**

The ornamental design for a remote control locator, as shown and described.

**DESCRIPTION**

FIG. 1 is a perspective view of the remote control locator showing my new design; FIG. 2 is a front elevational view thereof; FIG. 3 is a rear elevational view thereof; FIG. 4 is a side elevational view thereof; FIG. 5 is a side elevational view thereof; FIG. 6 is a top plan view thereof; and, FIG. 7 is a bottom view thereof.



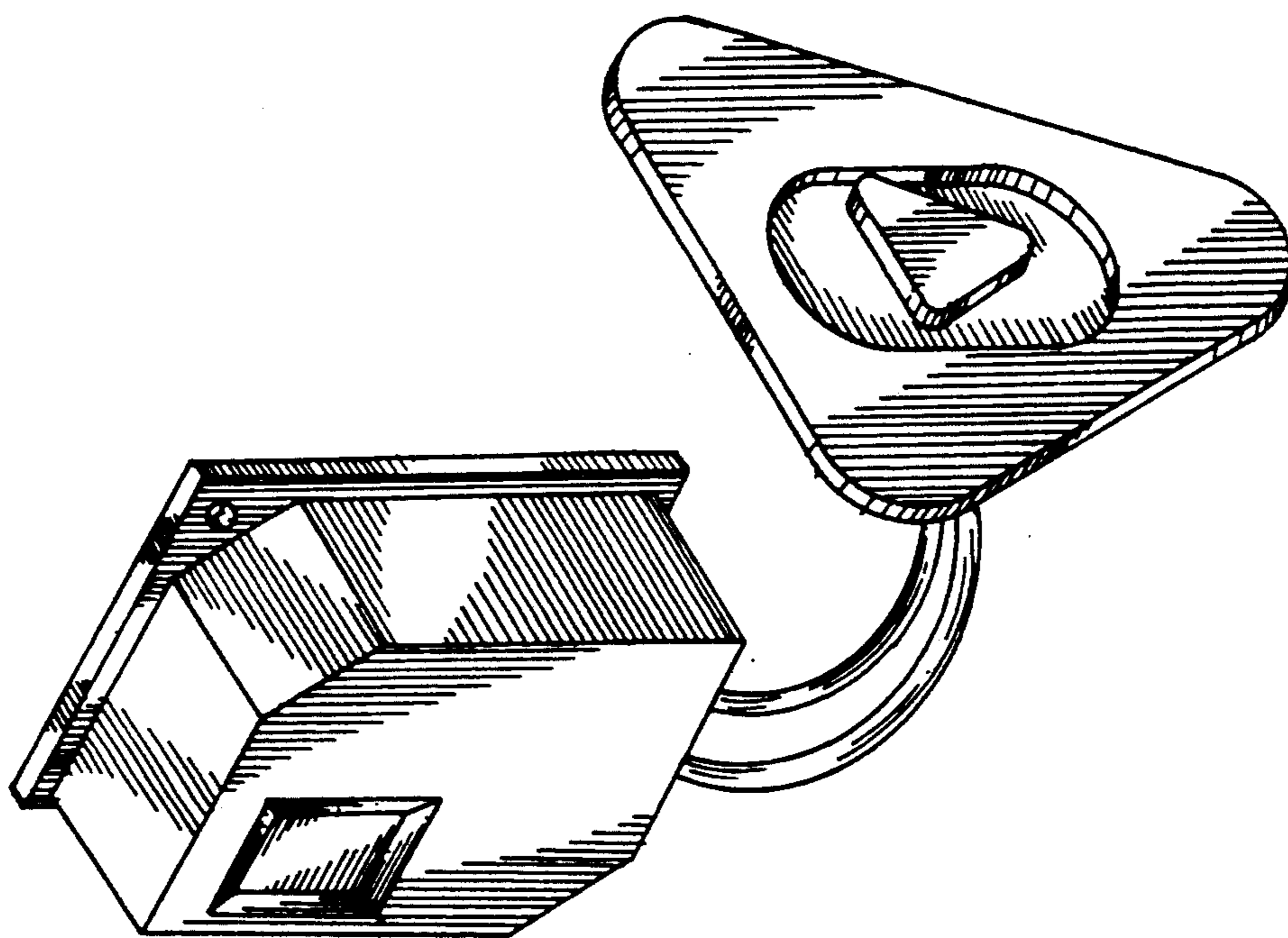


FIG. 1.

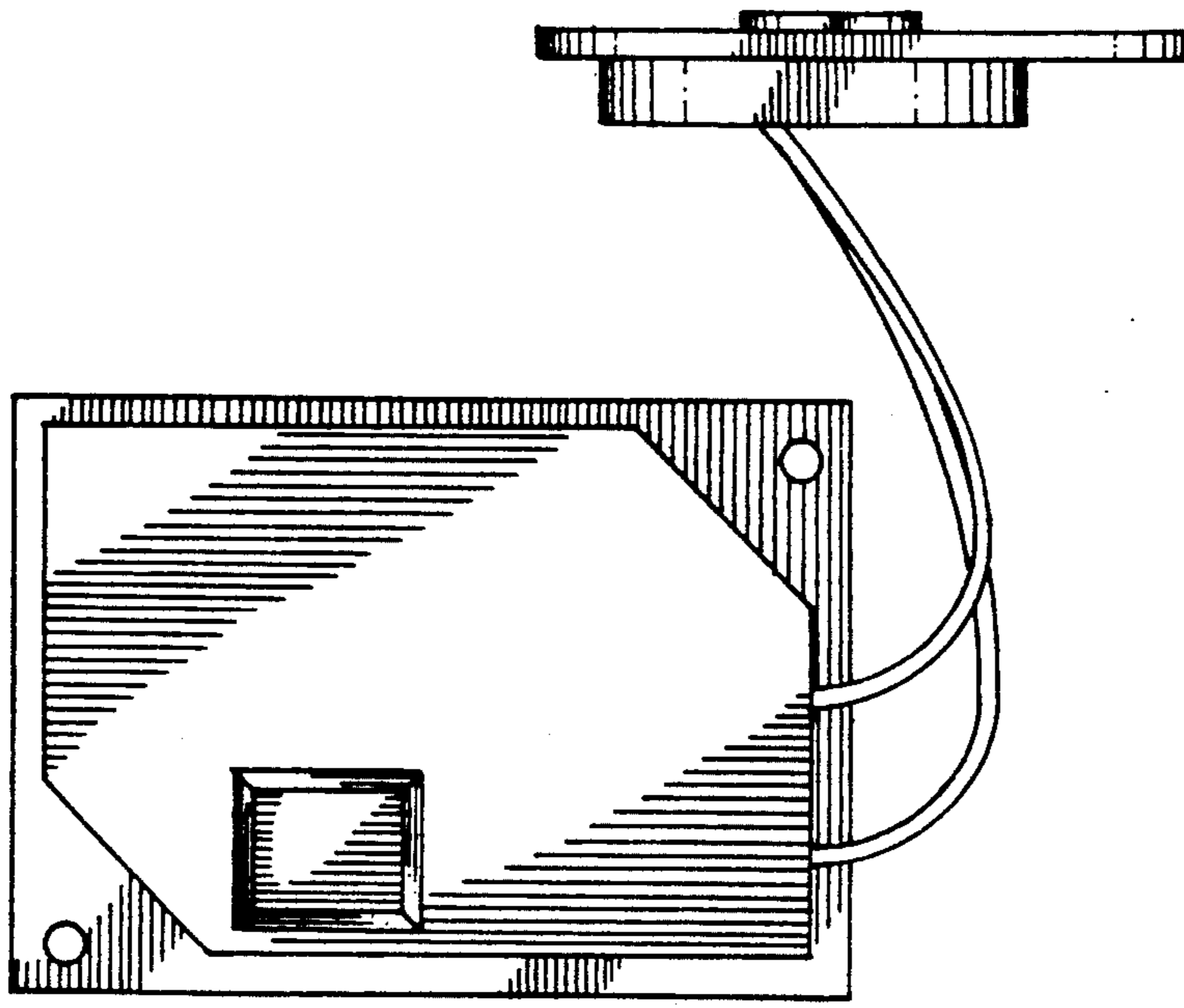


FIG. 4.

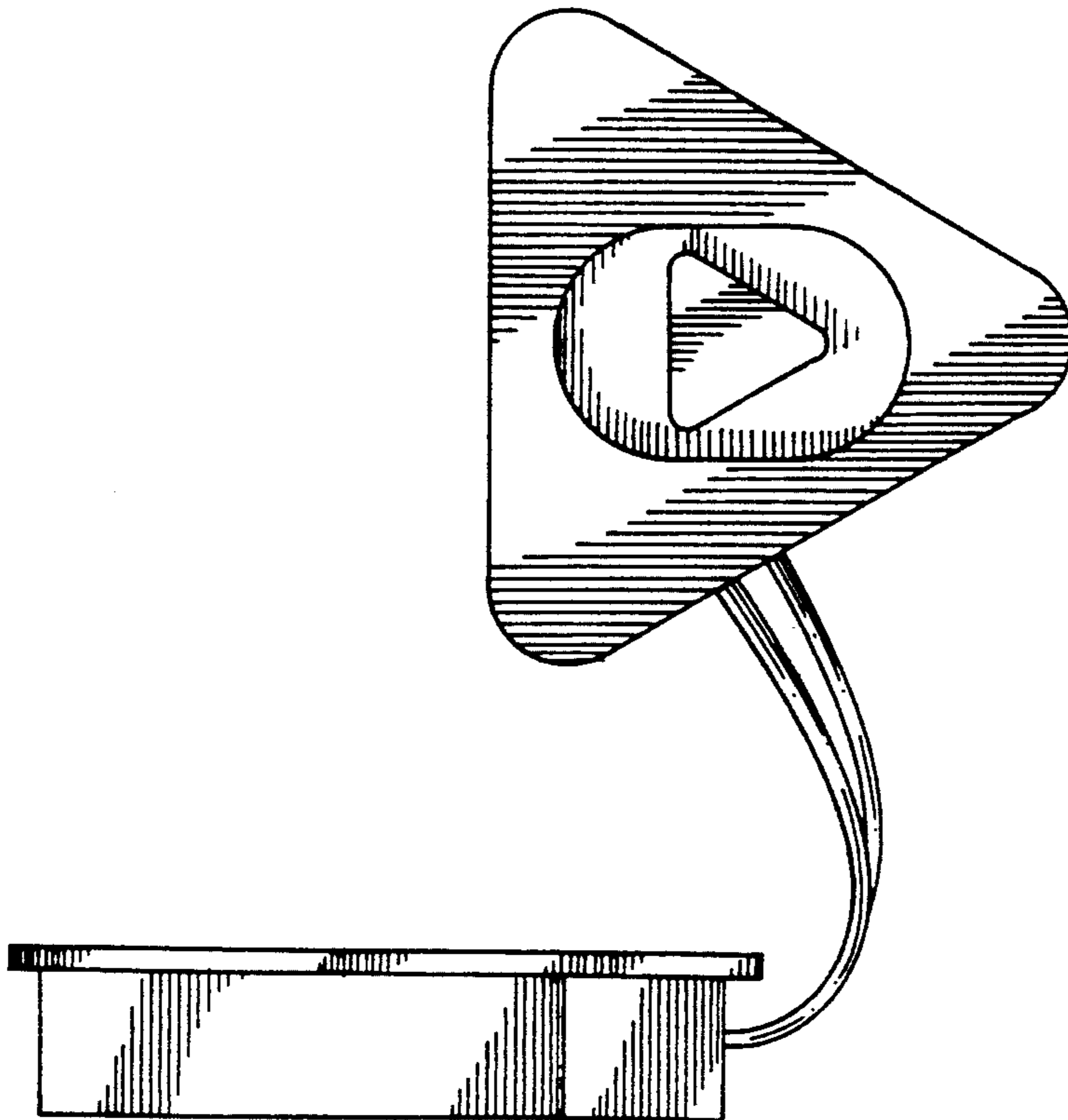


FIG. 2.

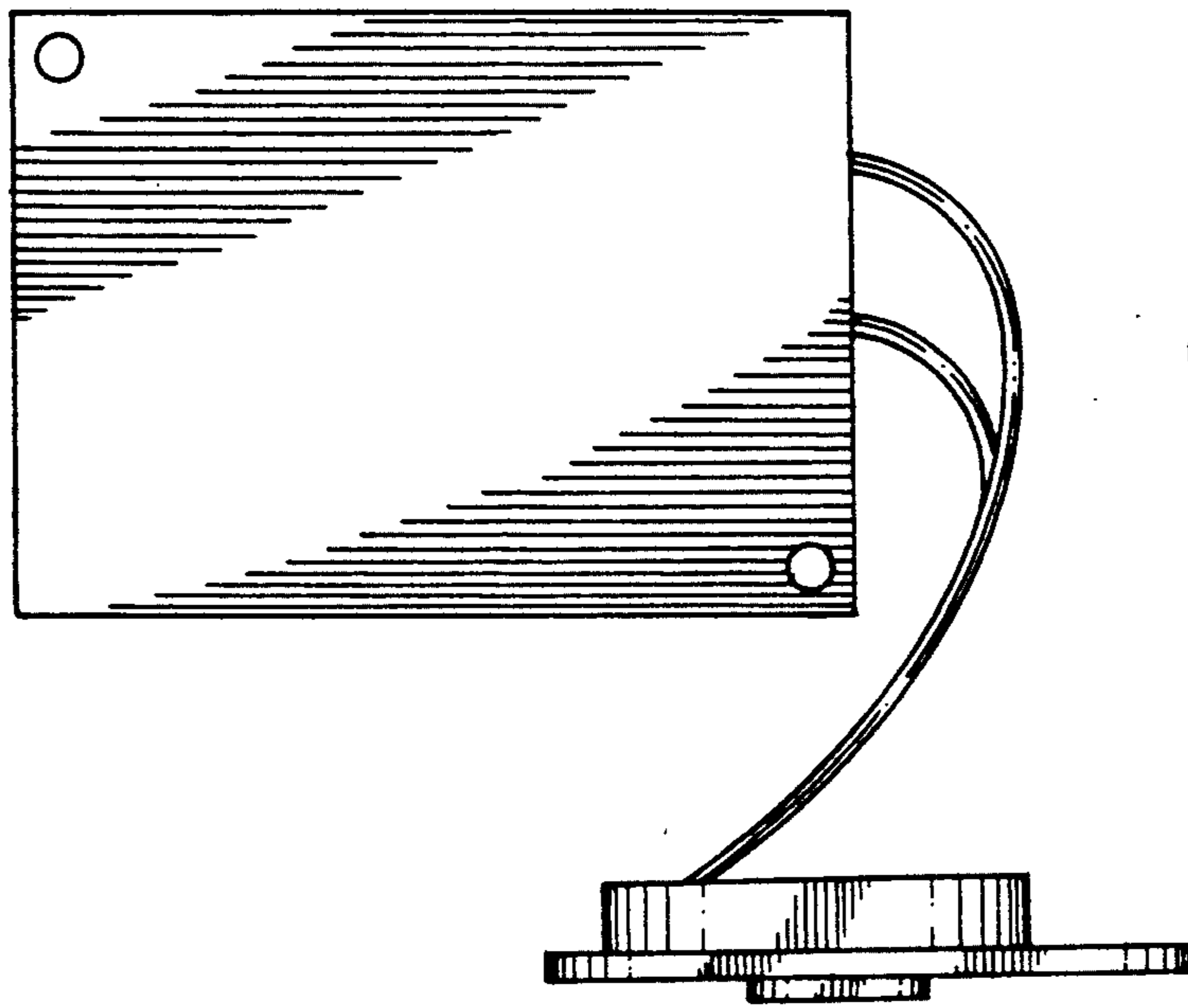


FIG. 5.

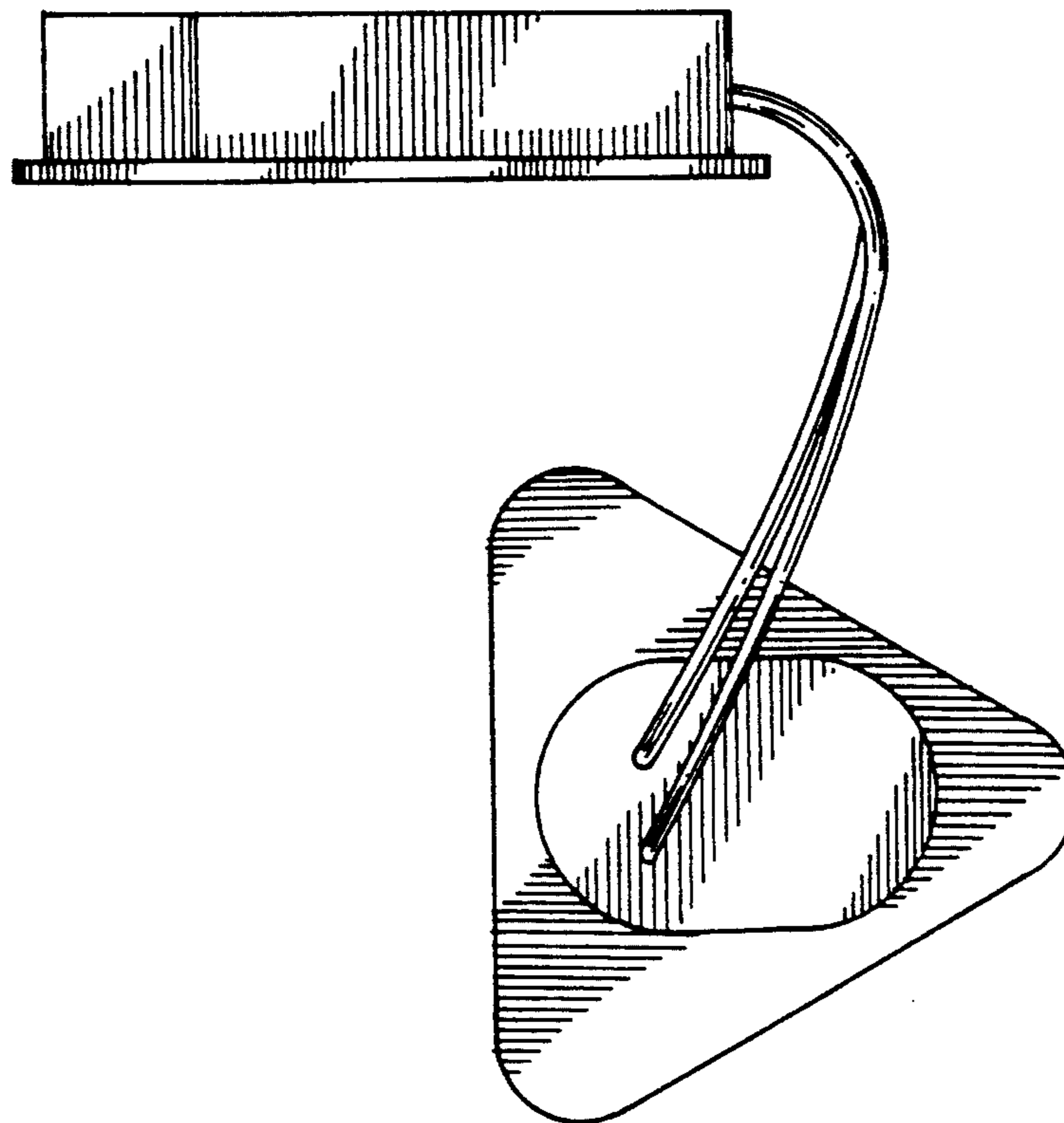


FIG. 3.

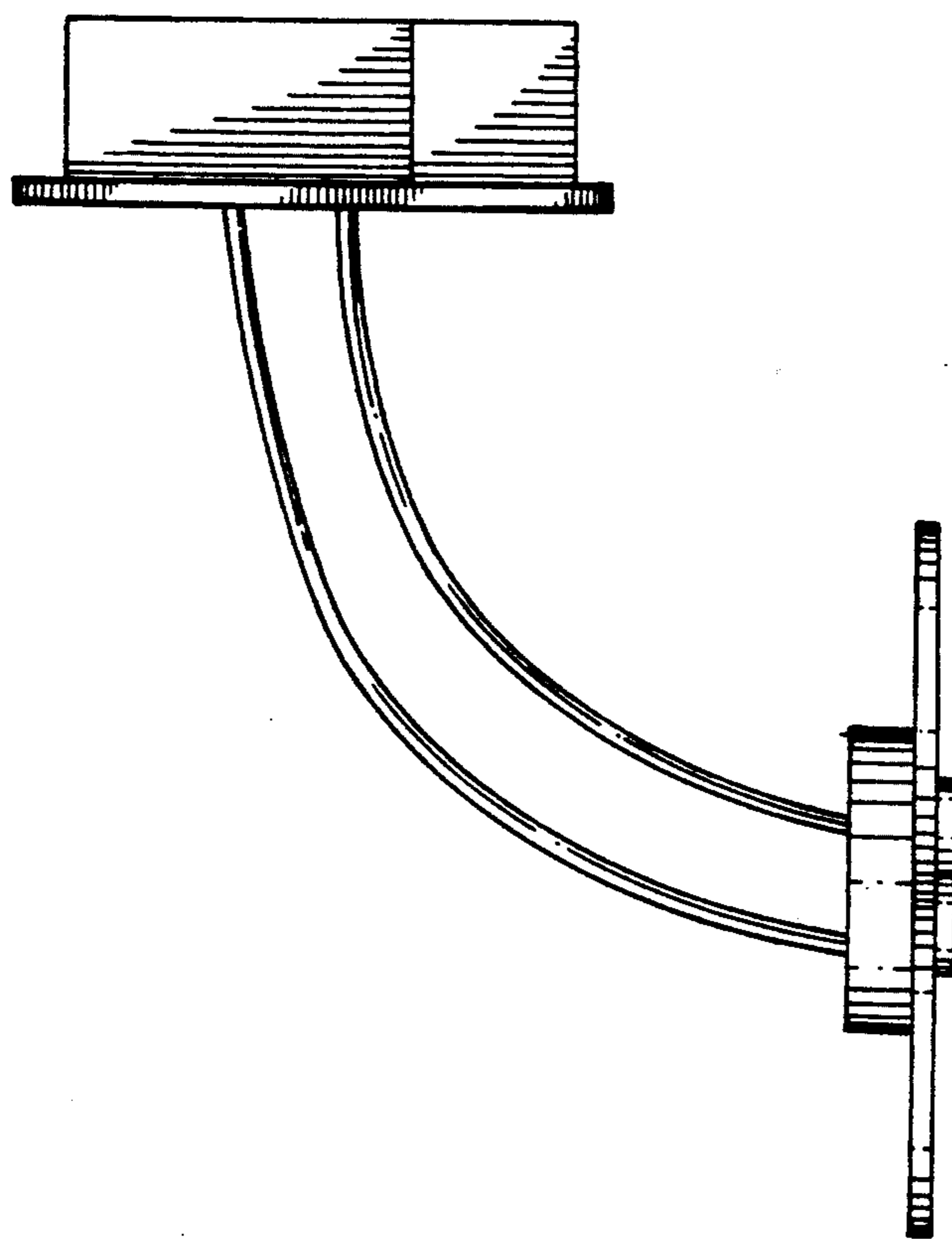


FIG. 7.

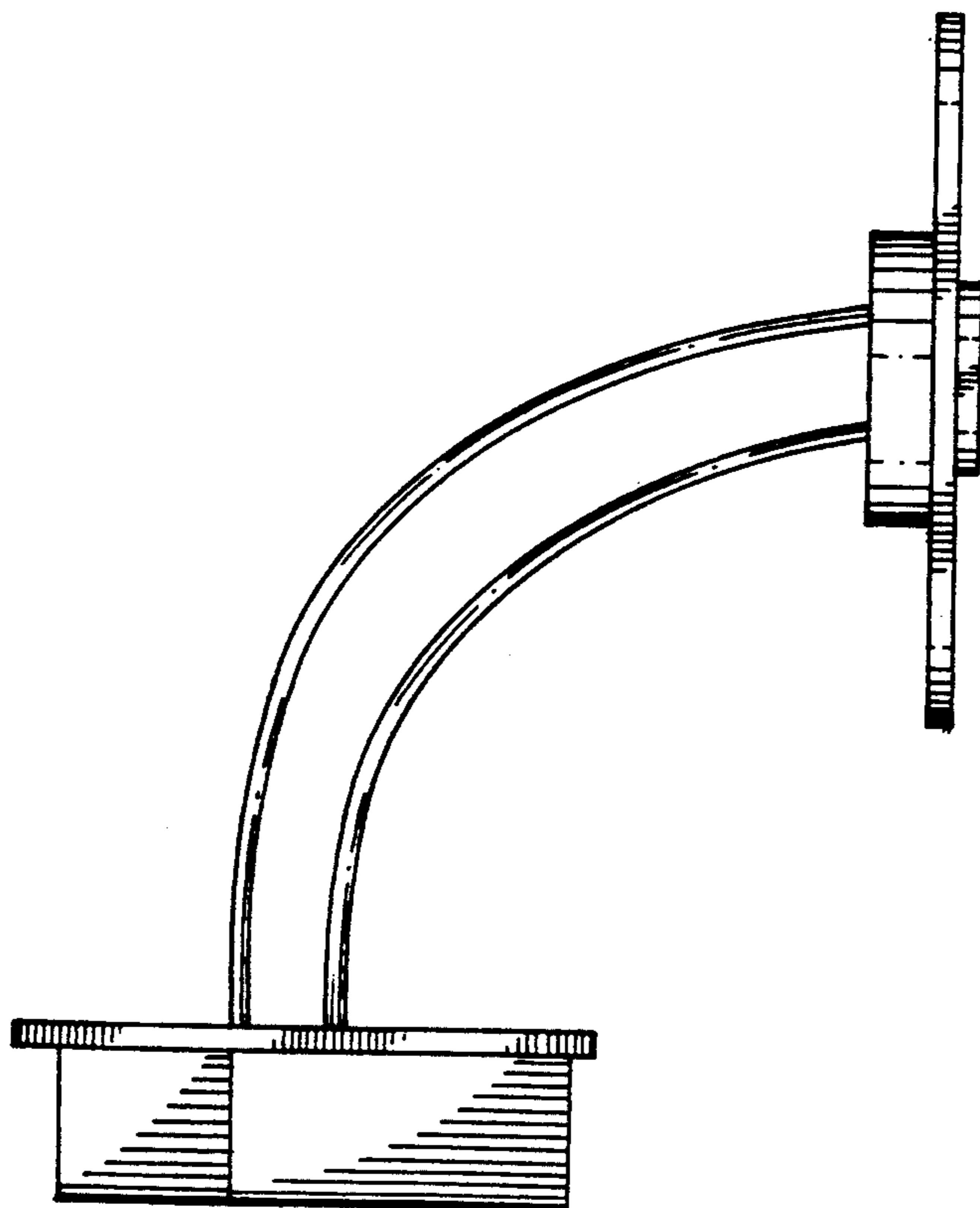


FIG. 6.