



US00D339280S

United States Patent [19]

[11] Patent Number: **Des. 339,280**

Bray et al.

[45] Date of Patent: **** Sep. 14, 1993**

[54] DOOR HANDLE UNIT

[75] Inventors: **William B. Bray**, Olathe, Kans.; **Alan R. Birch**, Harborne, England

[73] Assignee: **Broadway Industries, Inc.**, Kansas City, Mo.

[**] Term: **14 Years**

[21] Appl. No.: **744,018**

[22] Filed: **Aug. 12, 1991**

[52] U.S. Cl. **D8/301; D8/308; D8/310; D8/352**

[58] Field of Search **D8/300, 301, 302, 308, D8/352, 310; 292/336.3, 347, 357, DIG. 30; 70/91, 101, 107, 452**

[56] References Cited

U.S. PATENT DOCUMENTS

D. 261,726	11/1981	Valli	D8/301
D. 295,829	5/1988	Ortega	D8/301
D. 312,565	12/1990	Abraham et al.	D8/301
4,873,853	10/1989	Foshee	70/452

OTHER PUBLICATIONS

Schlage "Architectural Guide to Locks and Security Products"-08710/SCG; ©1988; p. 15; lever 17.

Valli and Colombo "Elegance in Solid Brass", p. 5, handleset.

"L'Architecture d'Aujourd'hui", Sep. 1962; p. L, lever handleset.

Primary Examiner—B. J. Bullock

Attorney, Agent, or Firm—Hovey, Williams, Timmons & Collins

[57] CLAIM

The ornamental design for a door handle unit, as shown and described herein.

DESCRIPTION

FIG. 1 is a front perspective view of our ornamental design for a door handle unit;

FIG. 2 is a front elevation view thereof;

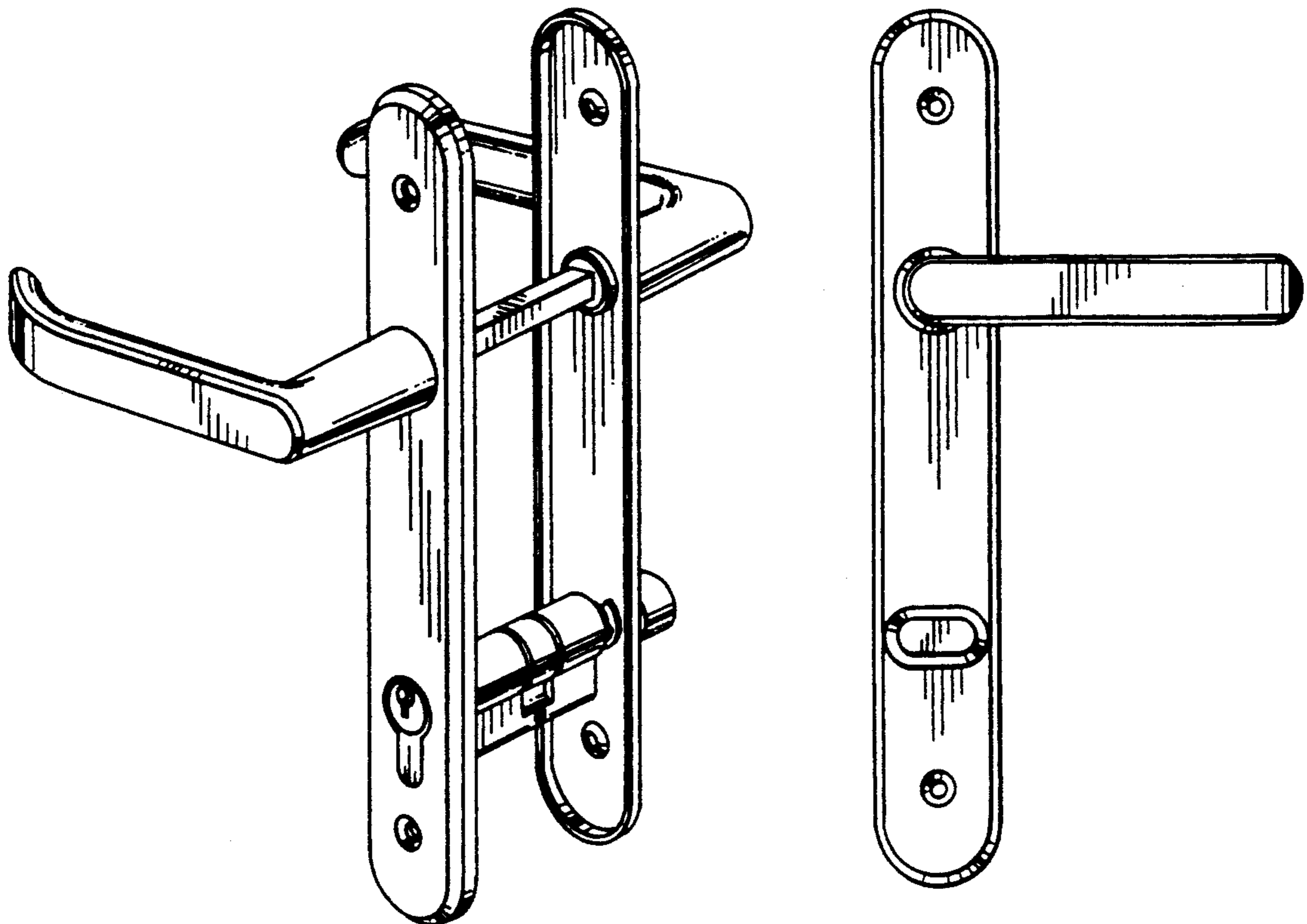
FIG. 3 is a rear elevation view thereof;

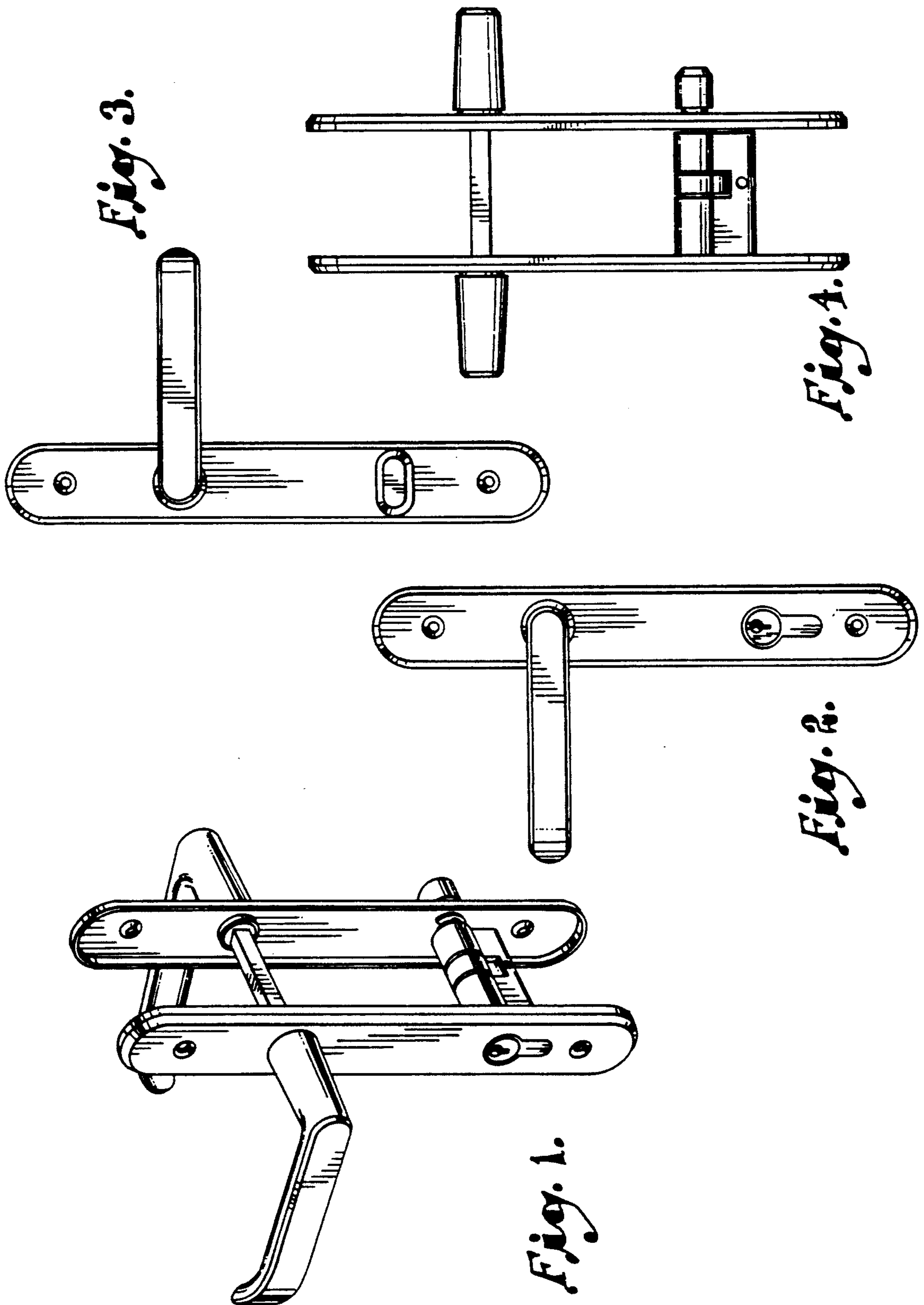
FIG. 4 is a right side elevation view thereof;

FIG. 5 is a left side elevation view thereof;

FIG. 6 is a top plan view thereof; and,

FIG. 7 is a bottom plan view thereof.





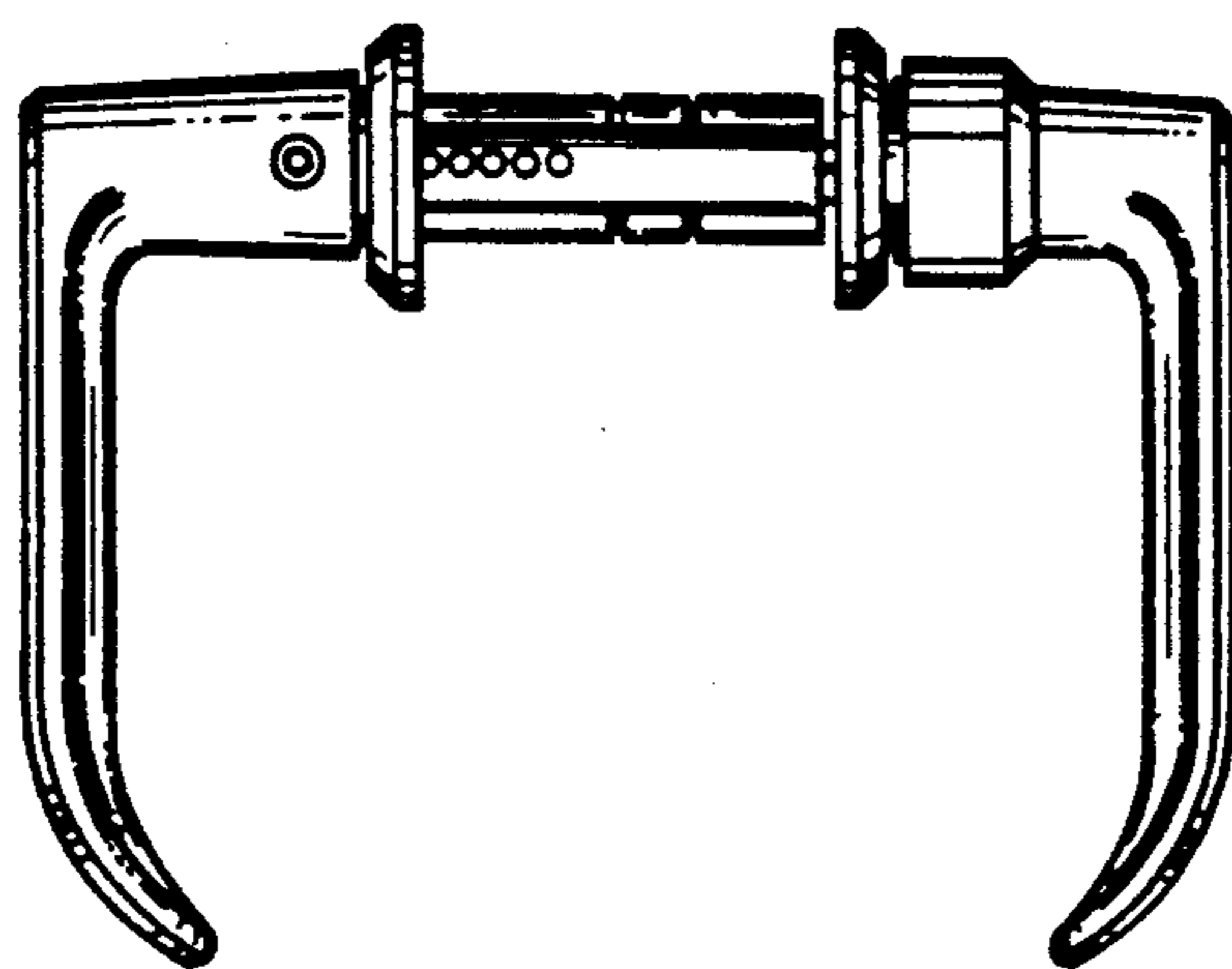


Fig. 7.

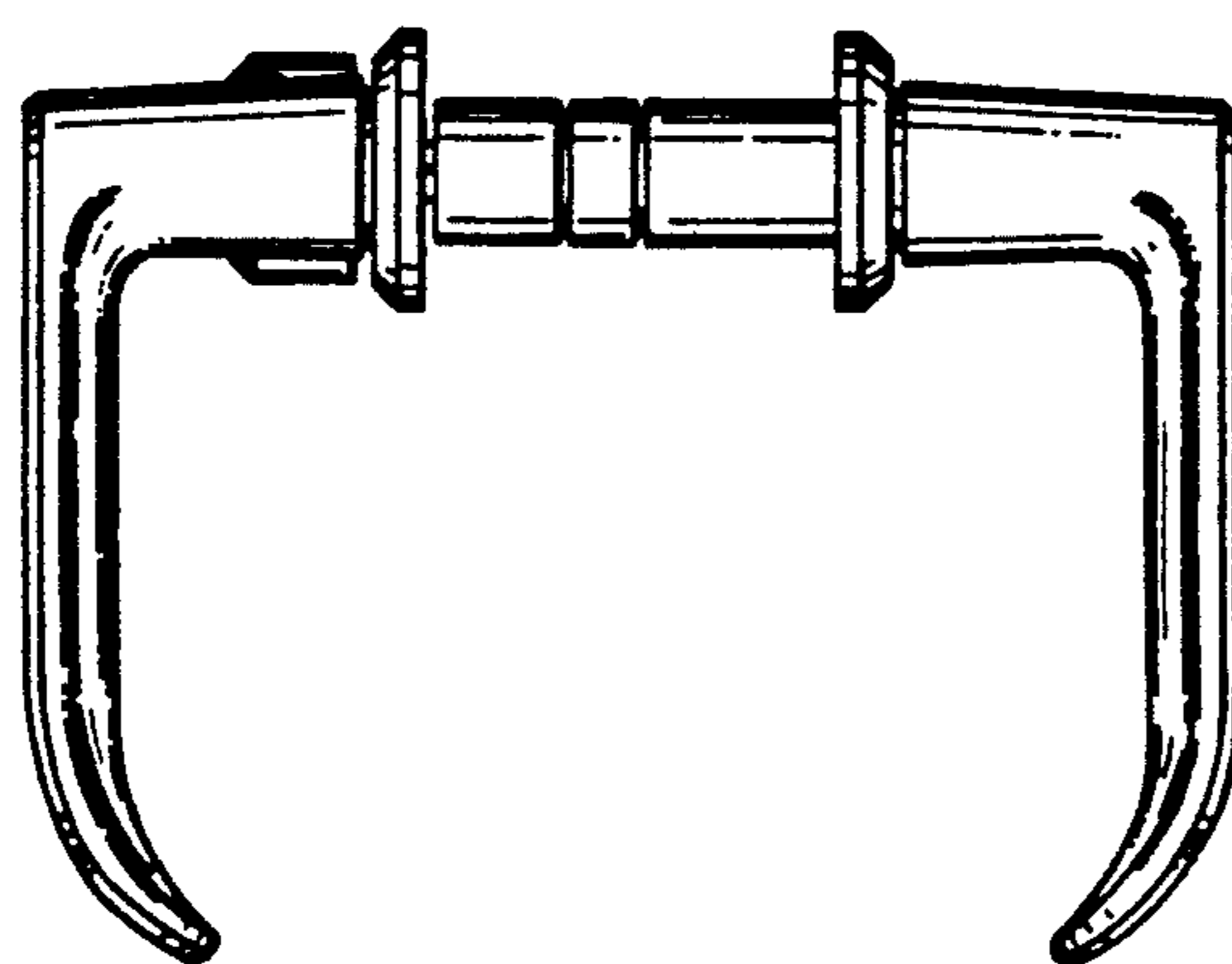


Fig. 6.

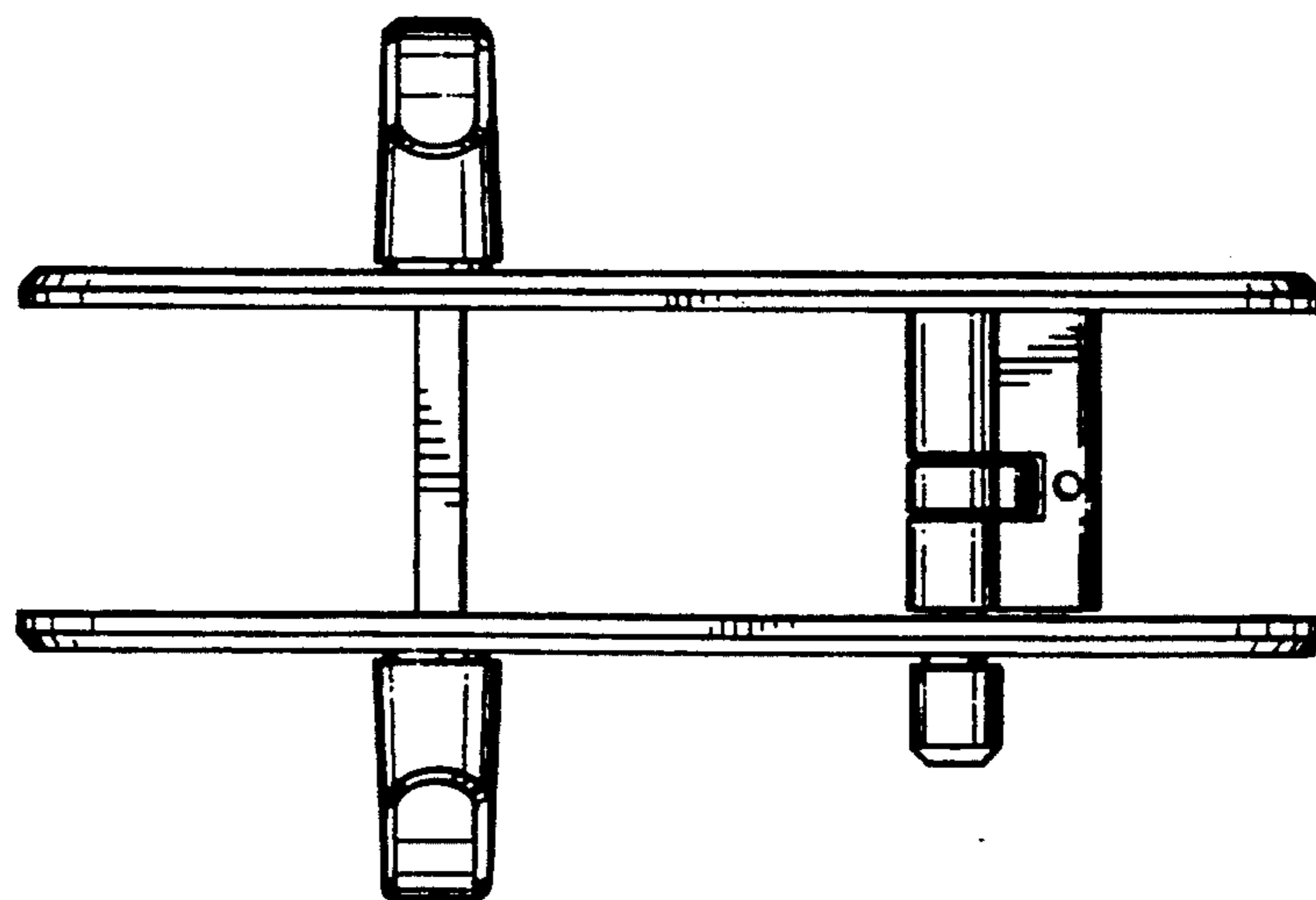


Fig. 5.