



US00D339277S

United States Patent [19]

[11] Patent Number: **Des. 339,277**

Snider

[45] Date of Patent: **** Sep. 14, 1993**

[54] **RIVET SHAVER SUPPORT**

D. 304,670 11/1989 Johnson D8/71
3,337,109 8/1967 Shumrak 248/148

[76] Inventor: **Phillip A. Snider, R.R. #1, Box 301,
Hicksville, Ohio 43526**

Primary Examiner—Donald P. Walsh
Assistant Examiner—J. H. Musgrove

[**] Term: **14 Years**

[57] **CLAIM**

[21] Appl. No.: **345,509**

The ornamental design for a rivet shaver support, as shown and described.

[22] Filed: **May 1, 1989**

[52] U.S. Cl. **D8/71**

[58] Field of Search **D8/71; 248/148;
408/124, 112, 141**

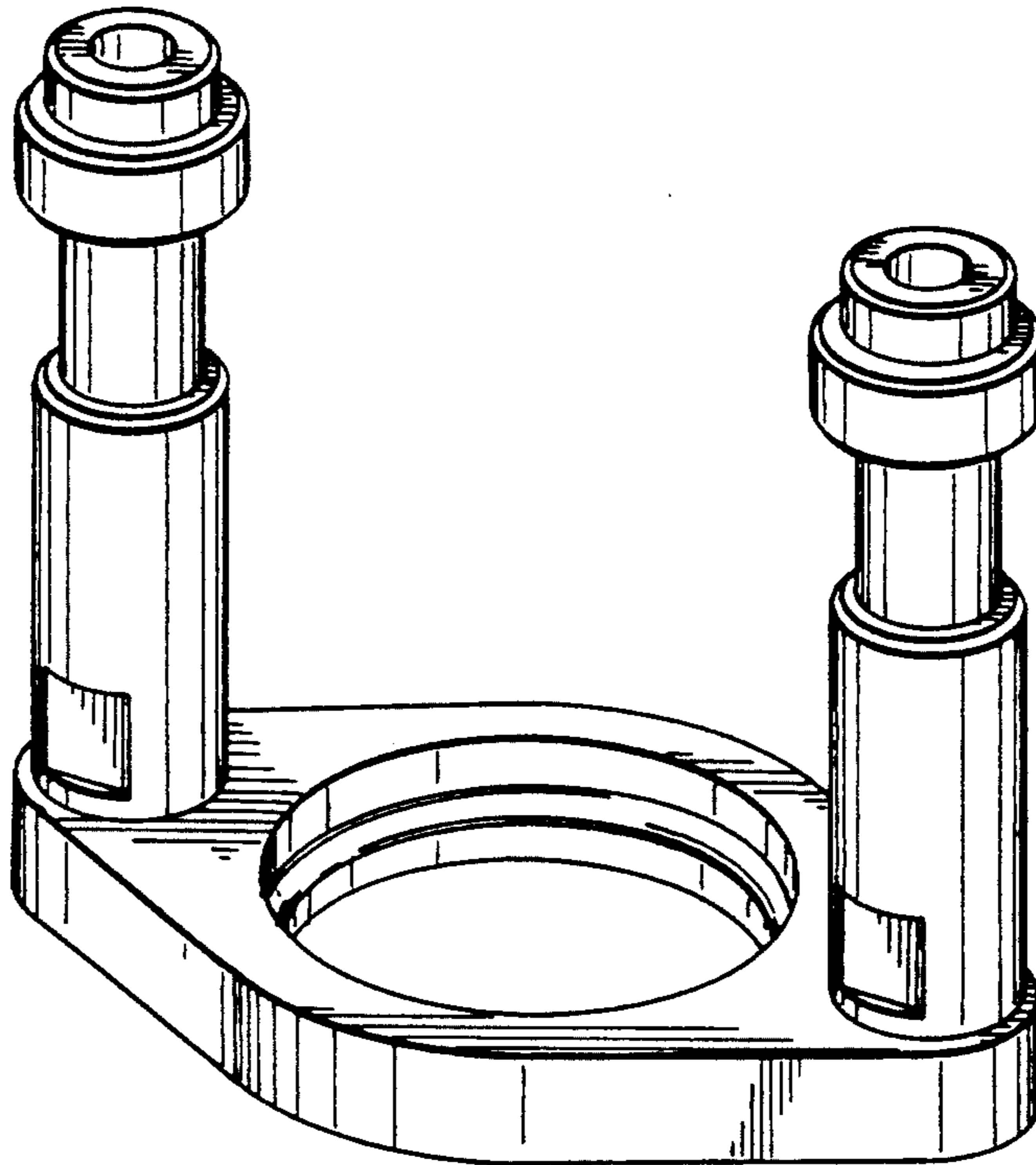
DESCRIPTION

[56] **References Cited**

FIG. 1 is a top front and right side perspective view of a rivet shaver support showing my new design;
FIG. 2 is a front elevational view;
FIG. 3 is a top plan view;
FIG. 4 is a bottom plan view; and,
FIG. 5 is a right side elevational view.

U.S. PATENT DOCUMENTS

D. 290,220 6/1987 Eckman D8/71



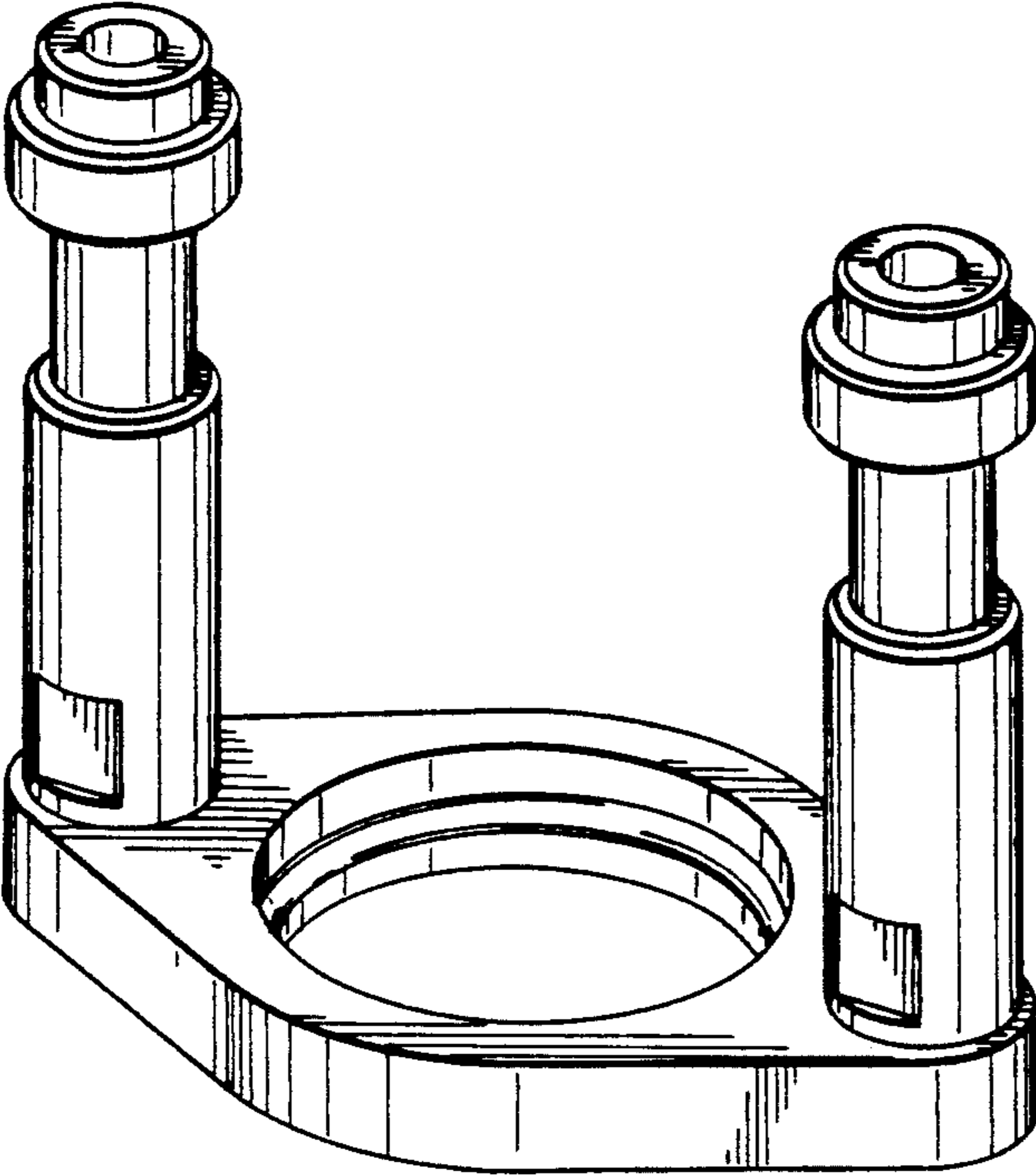
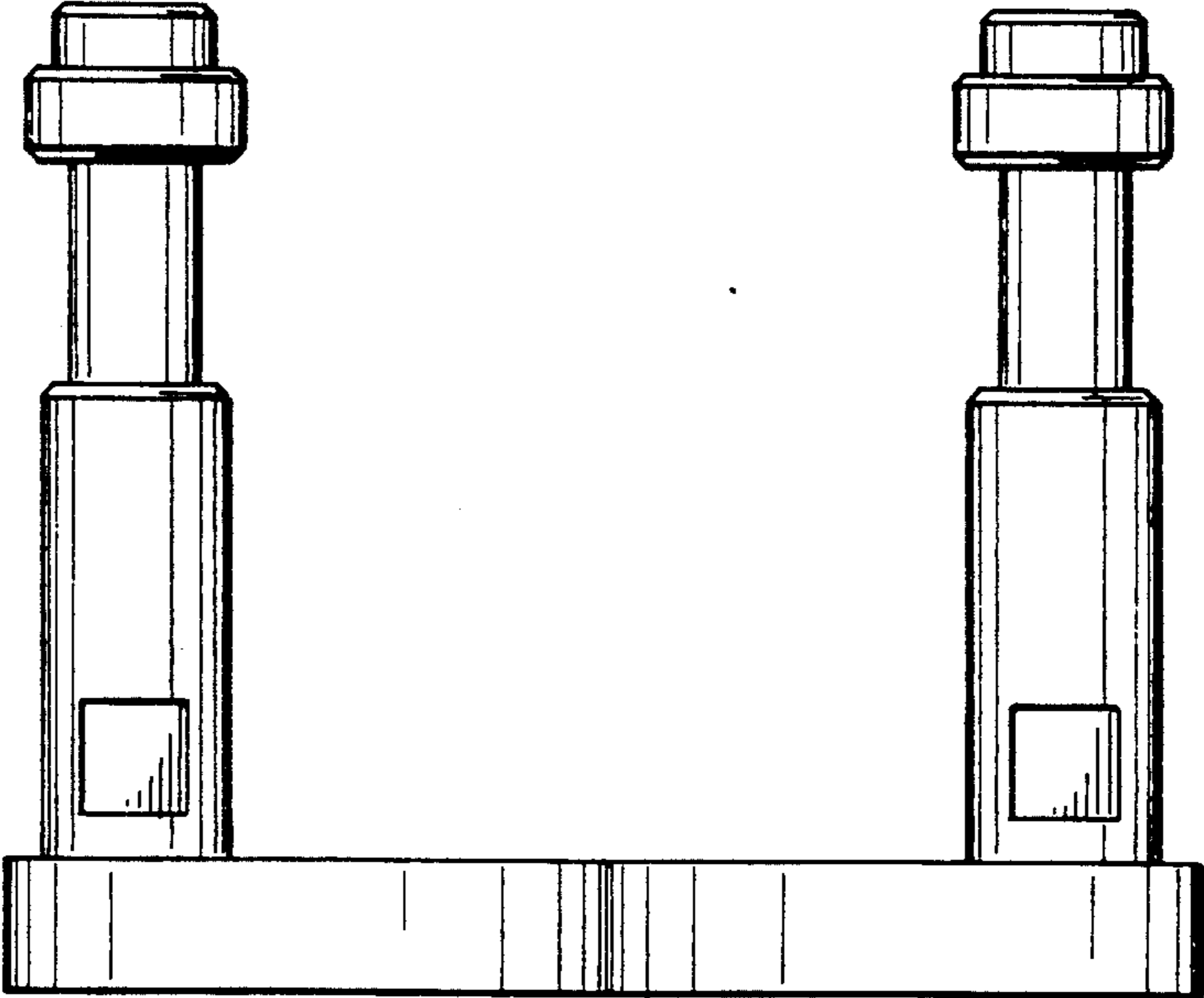


FIG. 1

FIG. 2



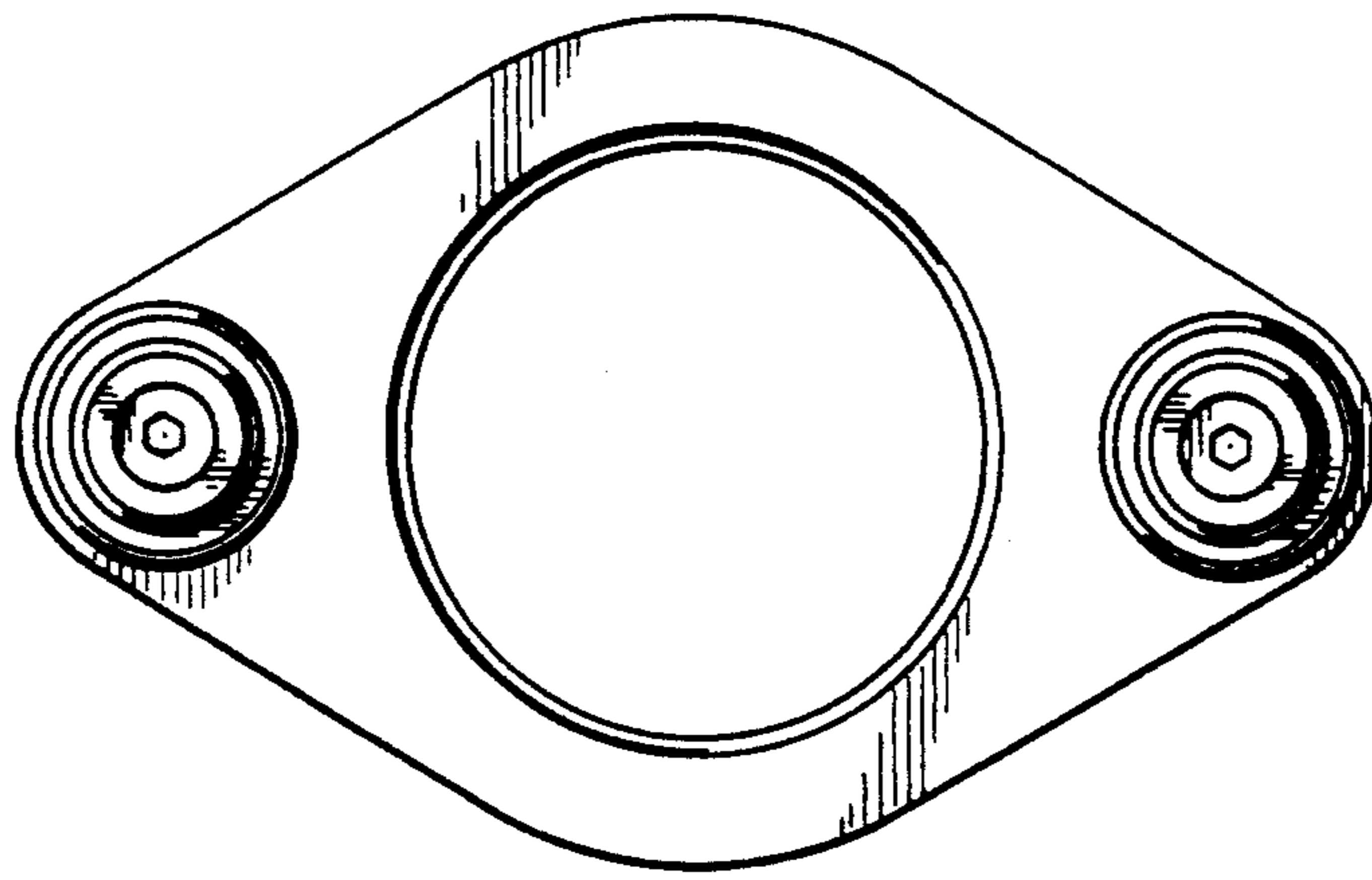


FIG. 3

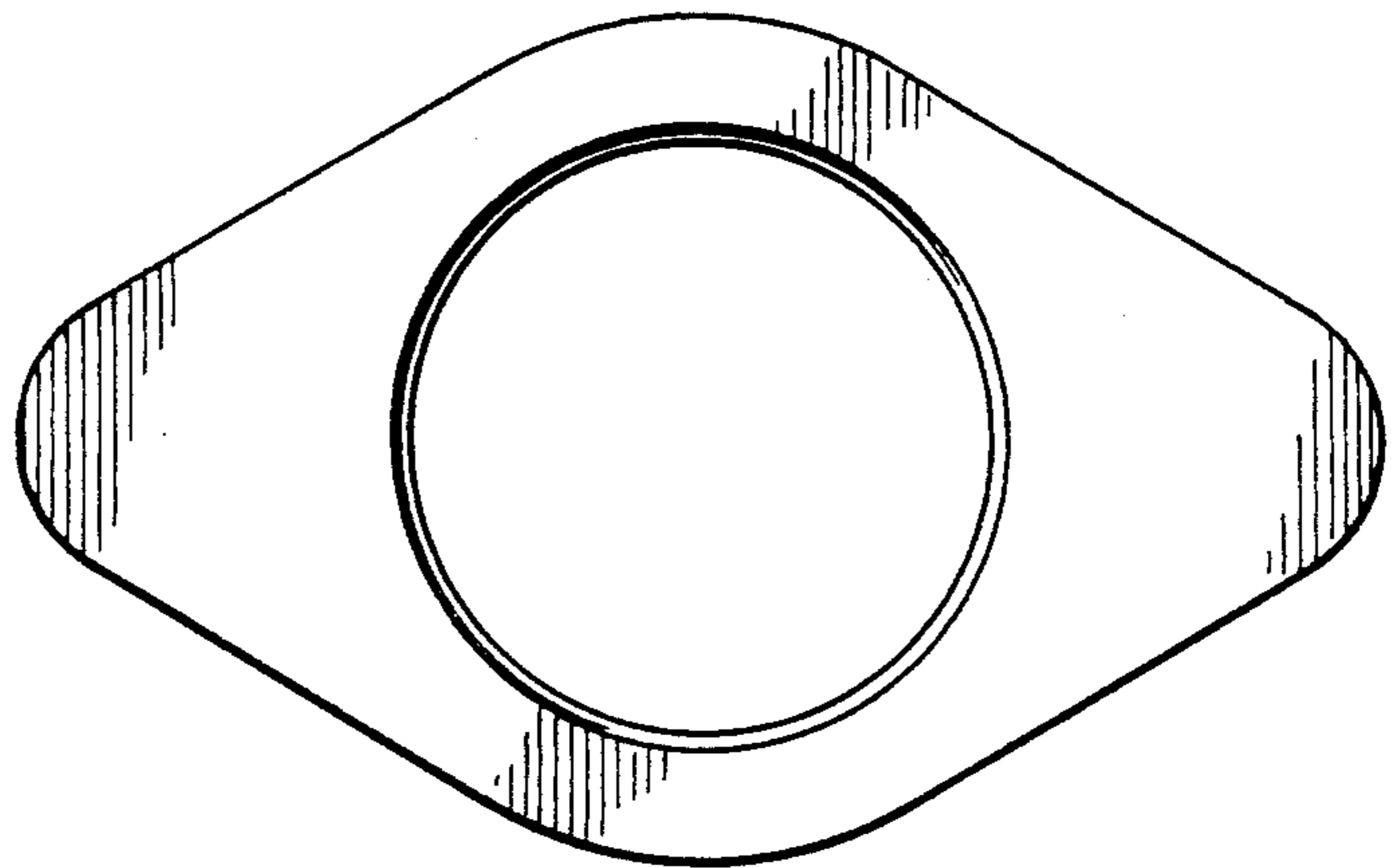


FIG. 4

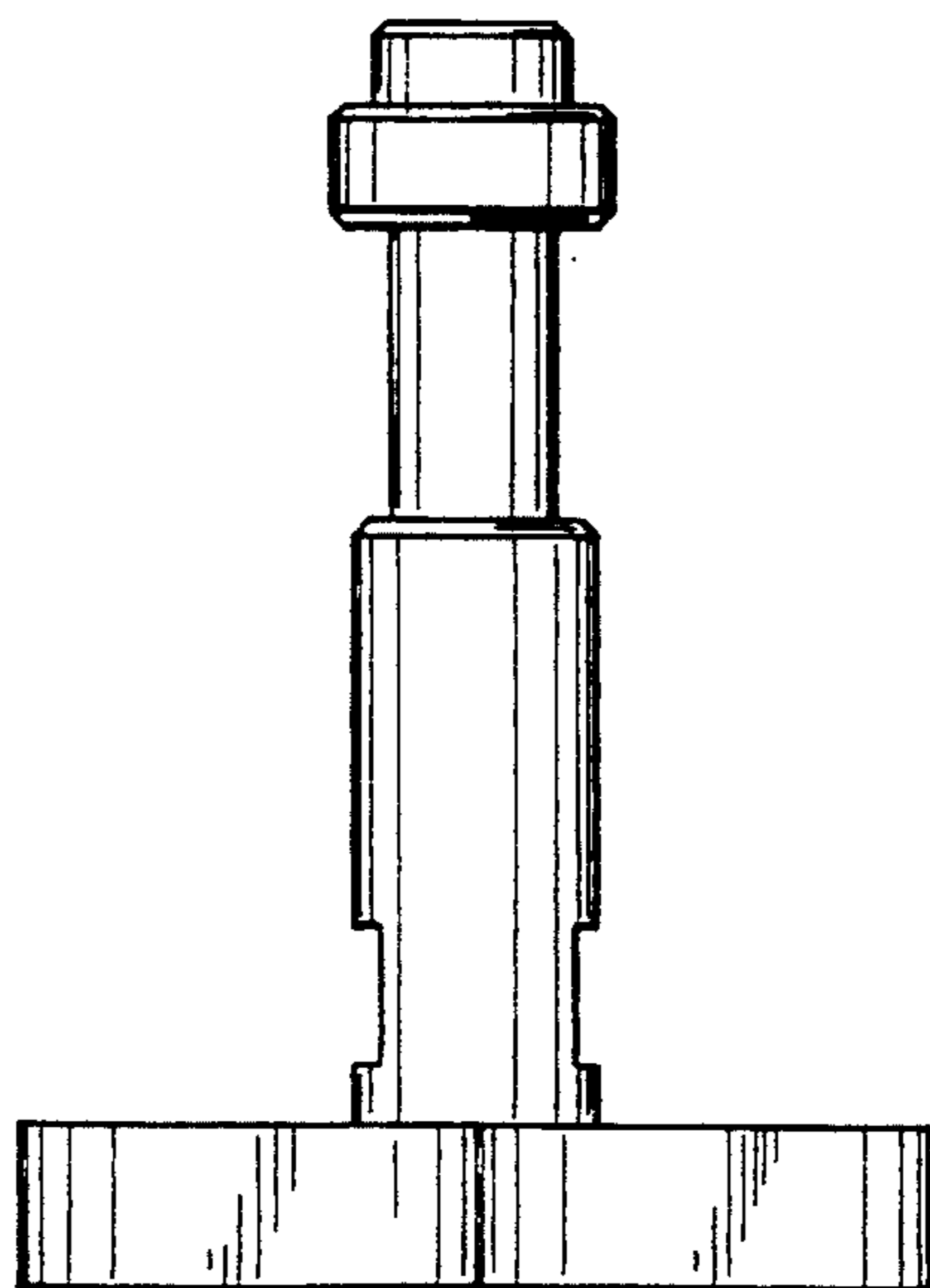


FIG. 5