



US00D339276S

# United States Patent [19]

[11] Patent Number: **Des. 339,276**

Matsuoka et al.

[45] Date of Patent: **\*\* Sep. 14, 1993**

## [54] PORTABLE ELECTRIC JIGSAW

[75] Inventors: **Takeshi Matsuoka; Kazuhide Ohzeki,**  
both of Ibaragi, Japan

[73] Assignee: **Hitachi Koki Co., Ltd.,** Tokyo, Japan

[\*\*] Term: **14 Years**

[21] Appl. No.: **776,467**

[22] Filed: **Oct. 15, 1991**

### [30] Foreign Application Priority Data

Apr. 12, 1991 [JP]	Japan	.....	3-10843
[52] U.S. Cl.	.....	<b>D8/64;</b>	<b>D8/69</b>
[58] Field of Search	.....	<b>D8/61, 64, 69;</b>	<b>30/272,</b>
		<b>30/273, 392, 394, 393</b>	

### [56] References Cited

#### U.S. PATENT DOCUMENTS

D. 282,625	2/1986	Schultz et al.	.....	D8/64
D. 287,930	1/1987	Somers	.....	D8/64
D. 295,945	5/1988	Sakamoto et al.	.....	D8/64
D. 297,401	8/1988	Clowers	.....	D8/64
D. 329,005	9/1992	Hoshino et al.	.....	D8/69

## OTHER PUBLICATIONS

Catalog sheet of Hitachi 7" portable electric jigsaw, published by Hitachi Koki, Japan, NLT Apr. 30, 1990.  
 Catalog sheet of Bosch PST 52A portable electric jigsaw, published NLT Dec. 31, 1990 in Germany.  
 Catalog sheet of Black & Decker BD 547E portable electric jigsaw, Black & Decker Corp., USA, published at least as early as Dec. 31, 1990.

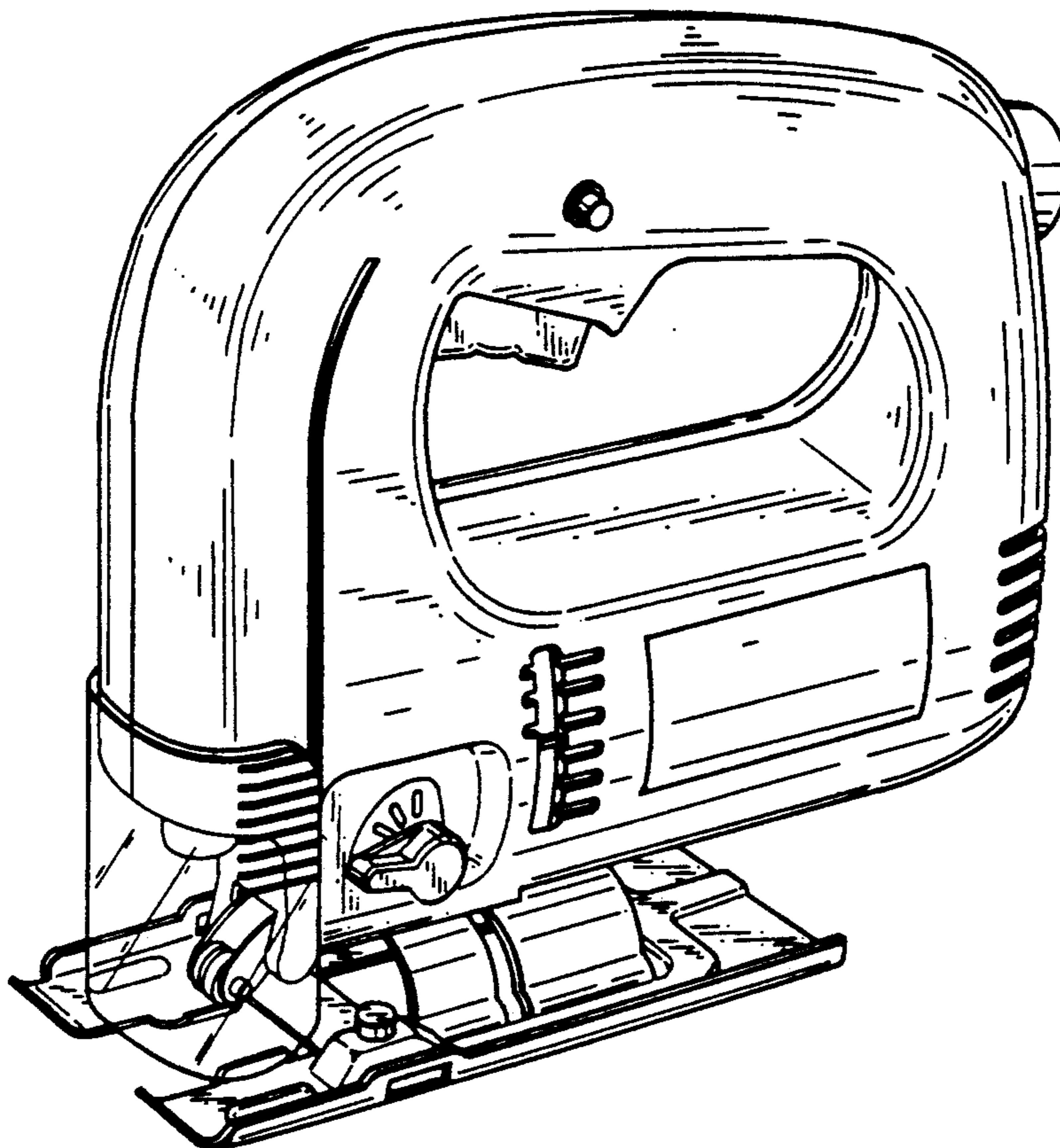
*Primary Examiner*—Alan P. Douglas  
*Assistant Examiner*—J. H. Musgrove  
*Attorney, Agent, or Firm*—Sughrue, Mion, Zinn, Macpeak & Seas

## [57] CLAIM

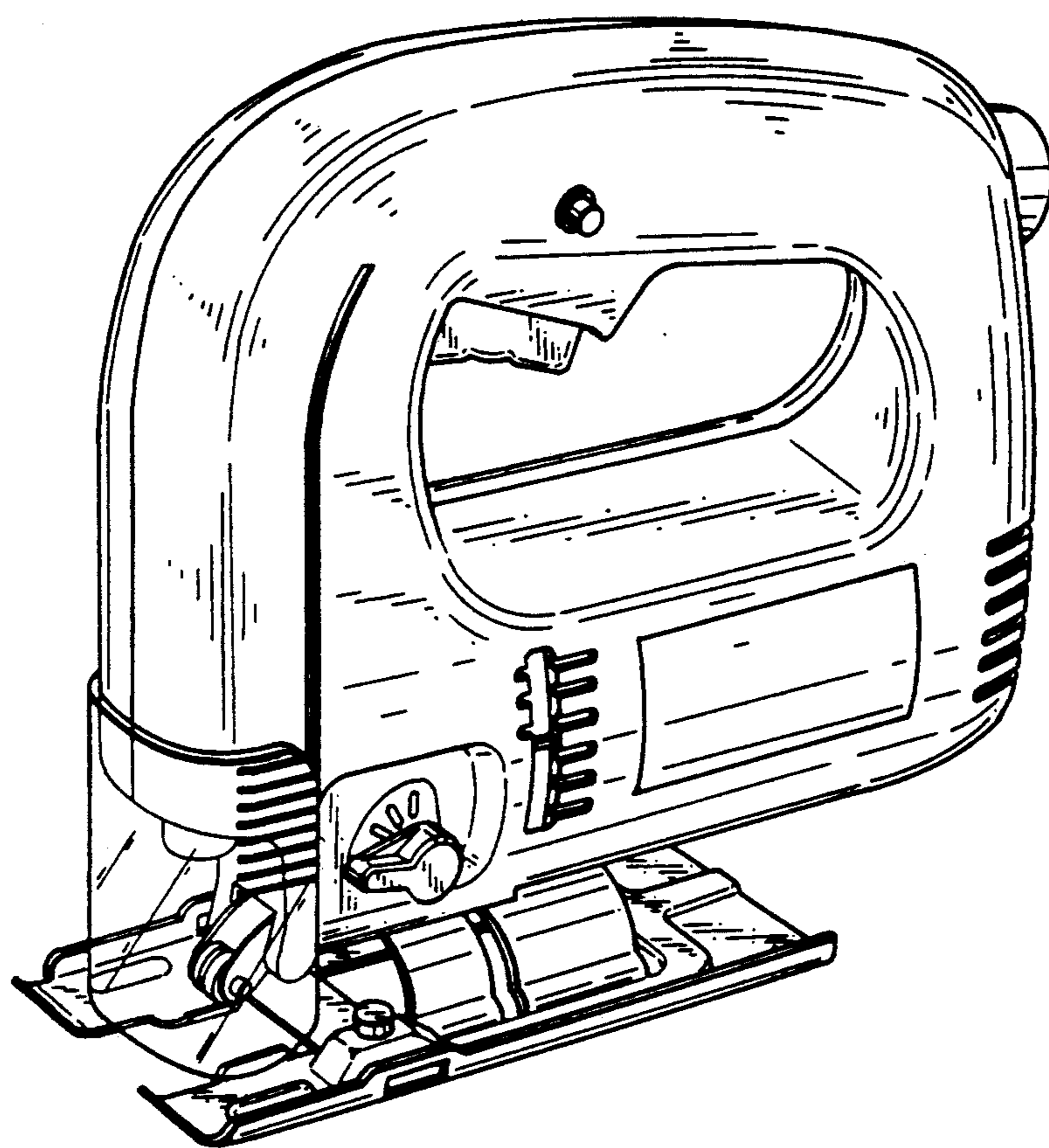
The ornamental design for a portable electric jigsaw, as shown.

## DESCRIPTION

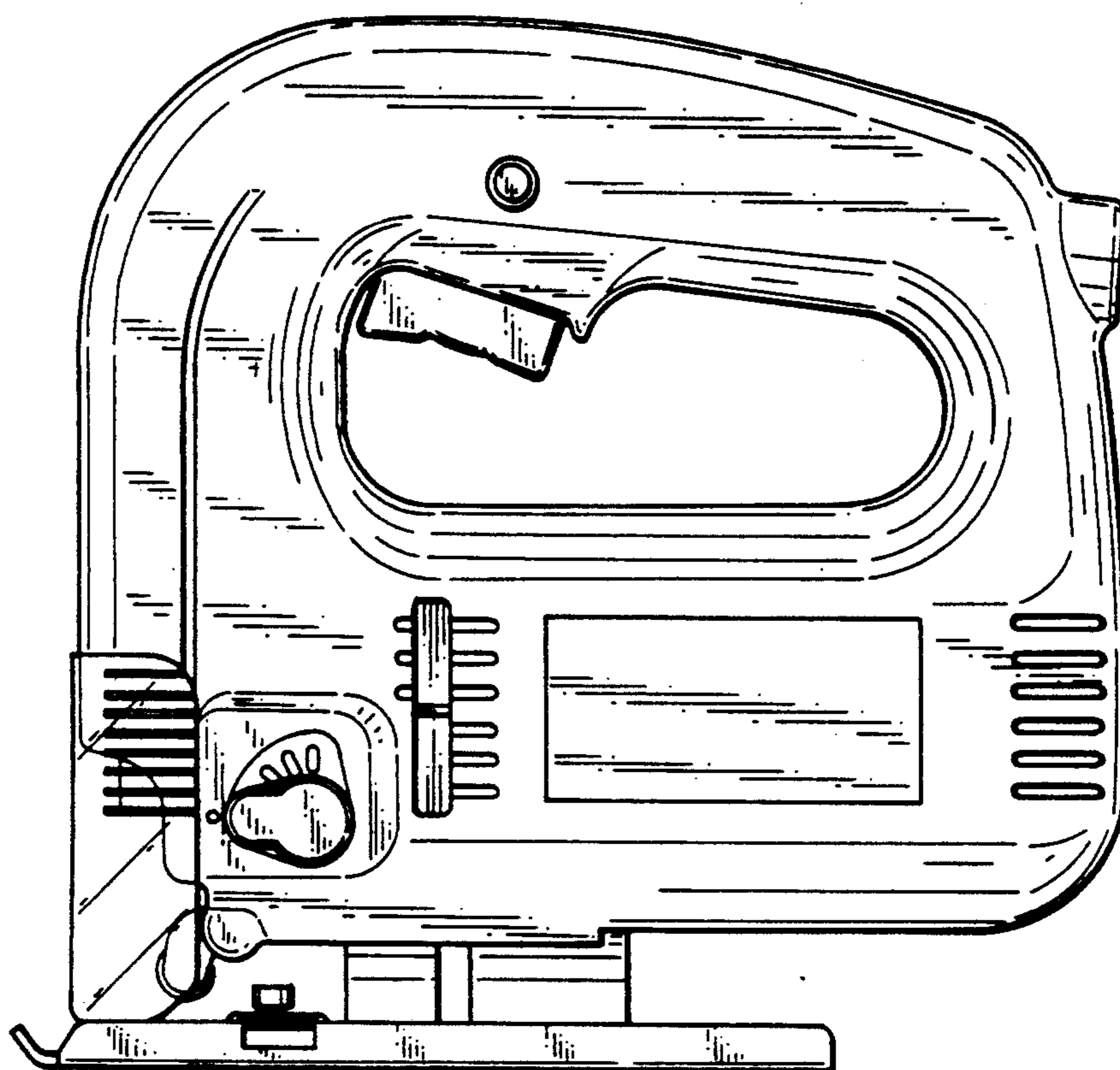
FIG. 1 is a front, top and right side perspective view of a portable electric jigsaw showing our new design;  
 FIG. 2 is a right side elevational view thereof;  
 FIG. 3 is a left side elevational view thereof;  
 FIG. 4 is a front elevational view thereof;  
 FIG. 5 is a rear elevational view thereof;  
 FIG. 6 is a top plan view thereof; and,  
 FIG. 7 is a bottom plan view thereof.



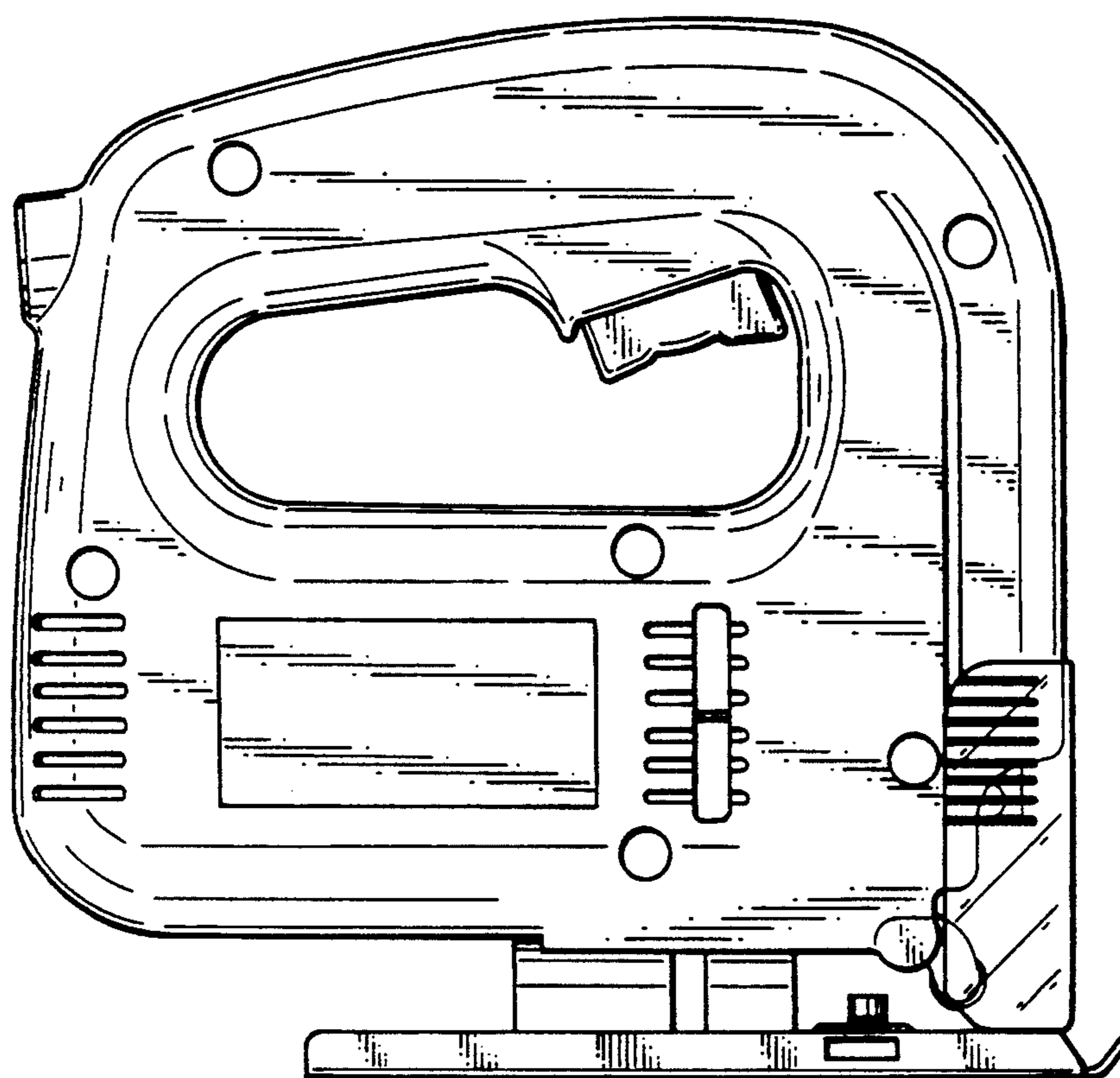
*Fig. 1*



*Fig. 2*

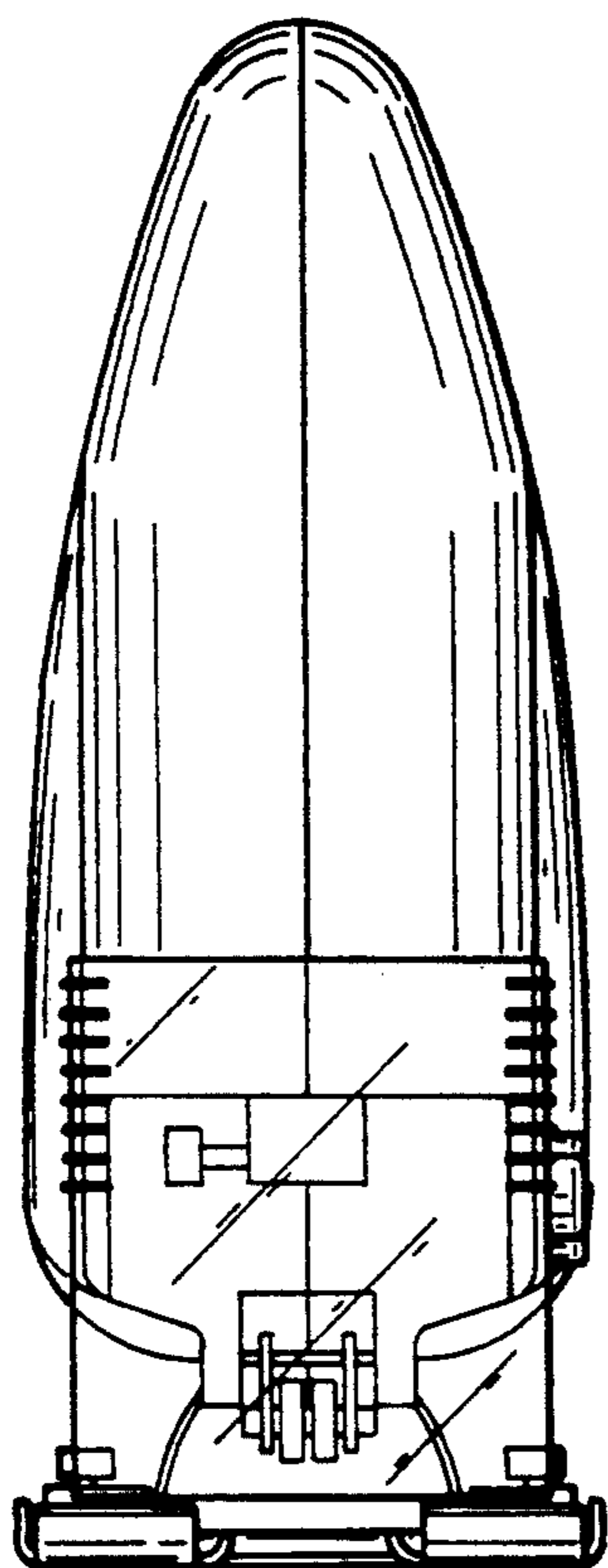


*Fig. 3*

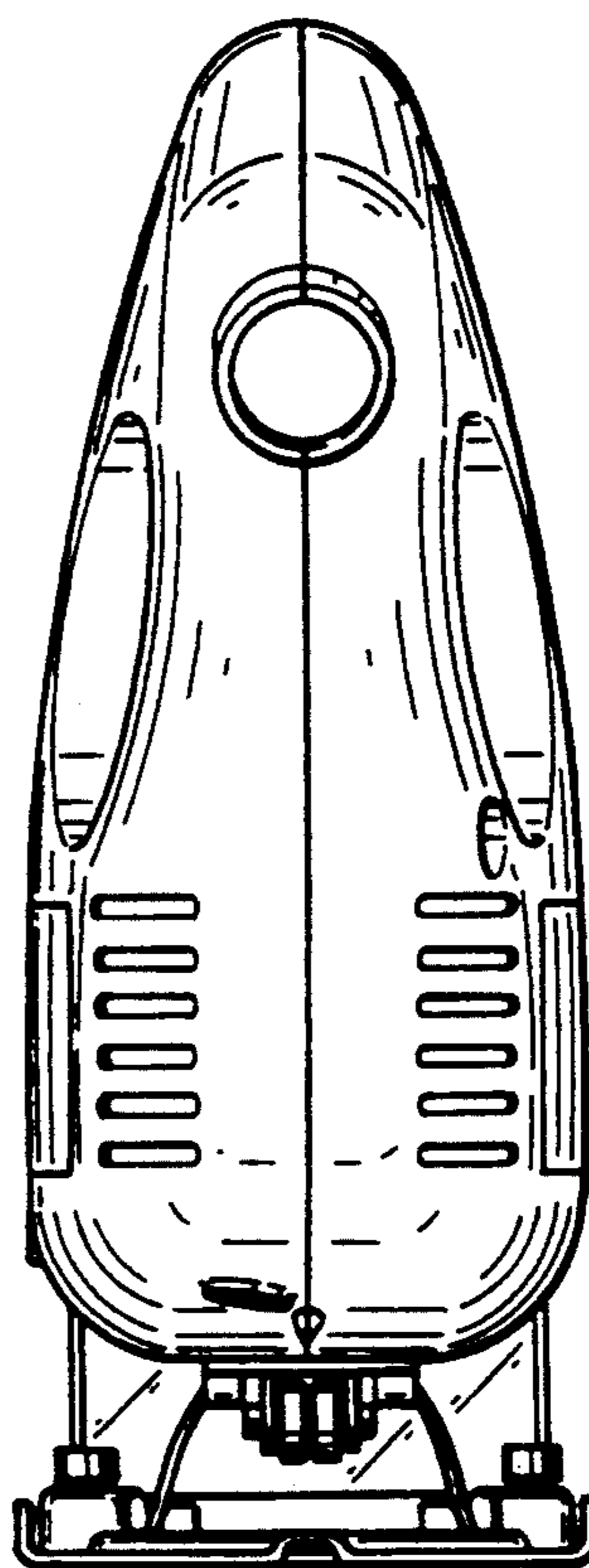




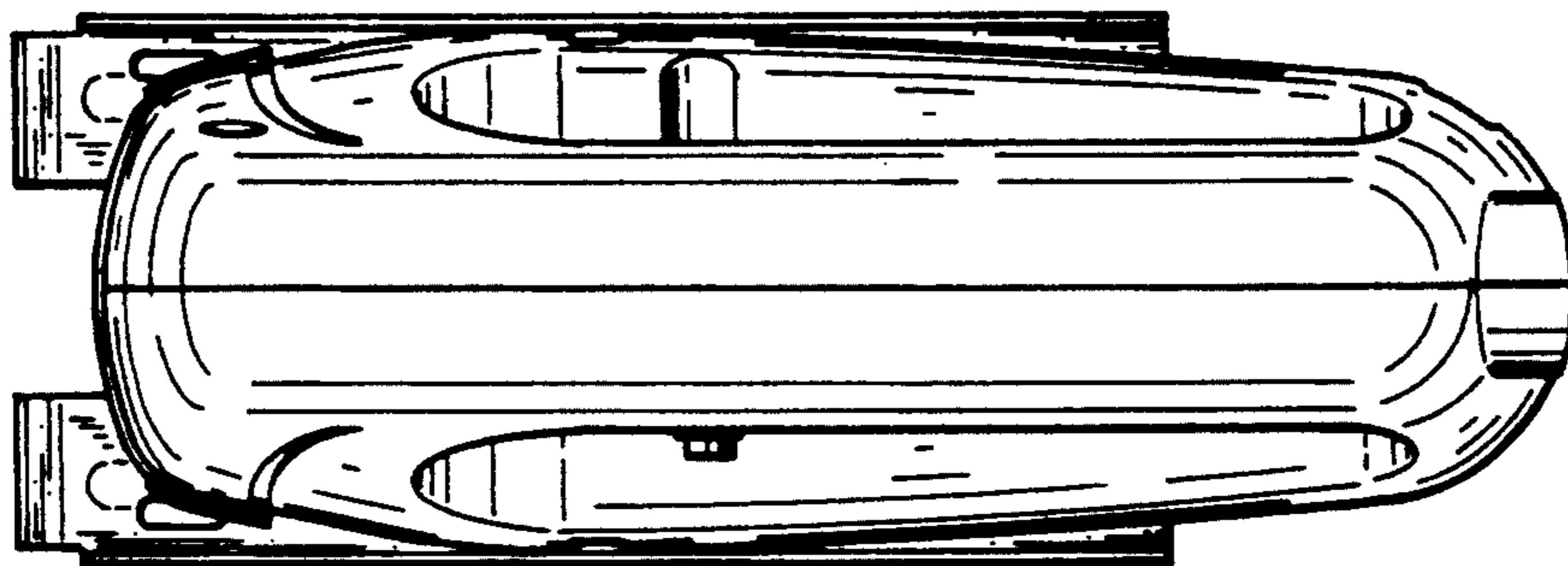
*Fig. 4*



*Fig. 5*



*Fig. 6*



*Fig. 7*

