



US00D339274S

United States Patent [19]

[11] Patent Number: **Des. 339,274**

Alpers

[45] Date of Patent: **** Sep. 14, 1993**

[54] **BOTTLE OPENER**

[76] Inventor: **Hugo Alpers**, 12525 Rockhaven Rd.,
Chesterland, Ohio 44026

[**] Term: **14 Years**

[21] Appl. No.: **867,804**

[22] Filed: **Apr. 10, 1992**

[52] U.S. Cl. **D8/43**

[58] Field of Search **D8/18, 33-37,
D8/39-43; D11/79; D3/62, 64; 81/3.4, 3.44,
3.07, 3.09, 3.2, 3.25, 3.33, 3.35, 3.45, 3.47, 3.48,
3.55, 3.57; 7/152, 156**

[56] **References Cited**

U.S. PATENT DOCUMENTS

D. 249,452	9/1978	Gendron	D8/40
D. 273,555	4/1984	Tanner	D8/37
D. 277,725	2/1985	Silkebakken	D8/40
D. 316,362	4/1991	Hughes	D8/40
4,455,894	6/1984	Roberts	81/3.4

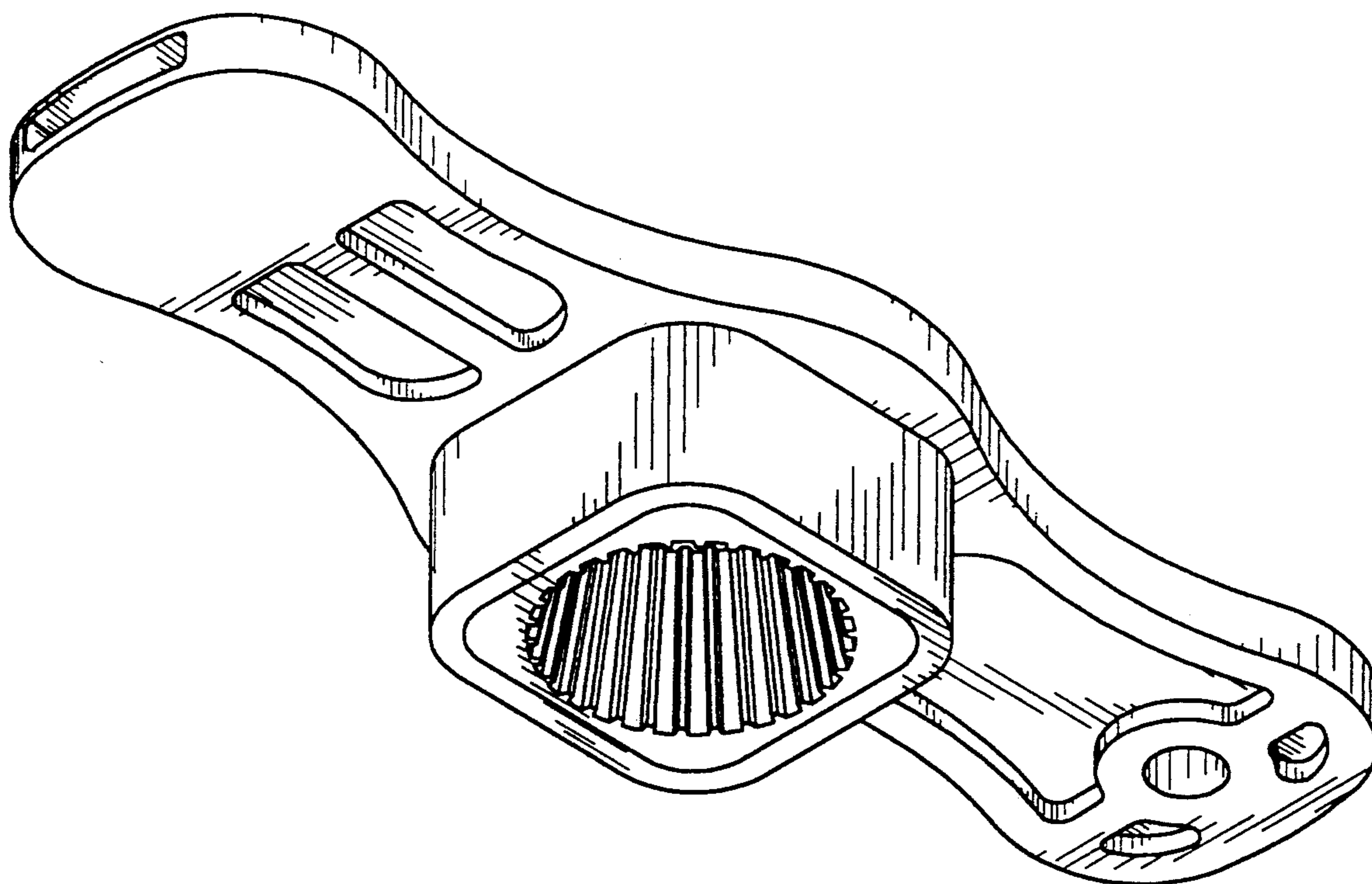
Primary Examiner—Bernard Ansher
Assistant Examiner—R. Barkai
Attorney, Agent, or Firm—Watts, Hoffmann, Fisher &
Heinke Co.

[57] **CLAIM**

The ornamental design for a bottle opener, as shown and described.

DESCRIPTION

FIG. 1 is a perspective view of a bottle opener showing my new design;
FIG. 2 is a right side elevational view thereof, the left side elevational view being a mirror image;
FIG. 3 is a rear elevational view thereof;
FIG. 4 is a bottom plan view thereof;
FIG. 5 is a top plan view thereof;
FIG. 6 is a front elevational view thereof;
FIG. 7 is an additional perspective view of a bottle opener showing my new design; and,
FIG. 8 is a sectional view thereof along the line 8—8 in FIG. 4.



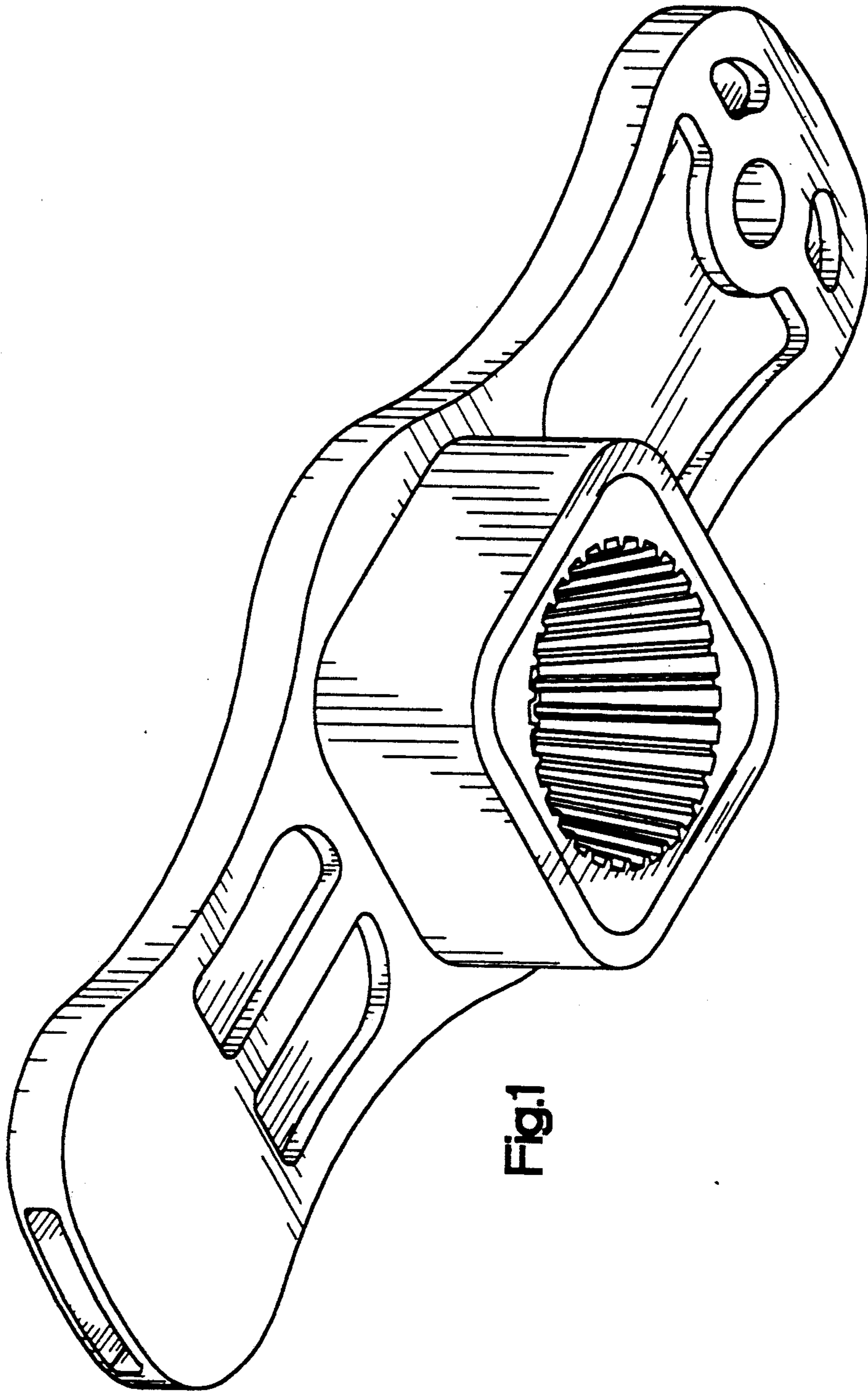


Fig.1

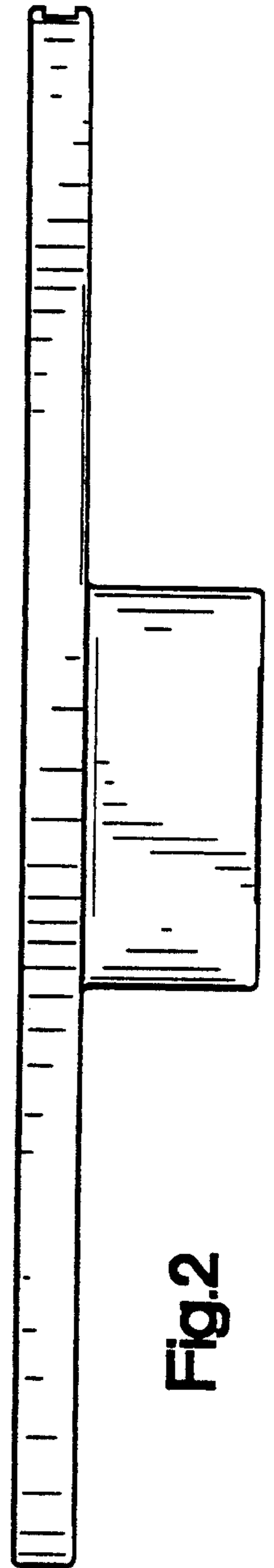


Fig.2

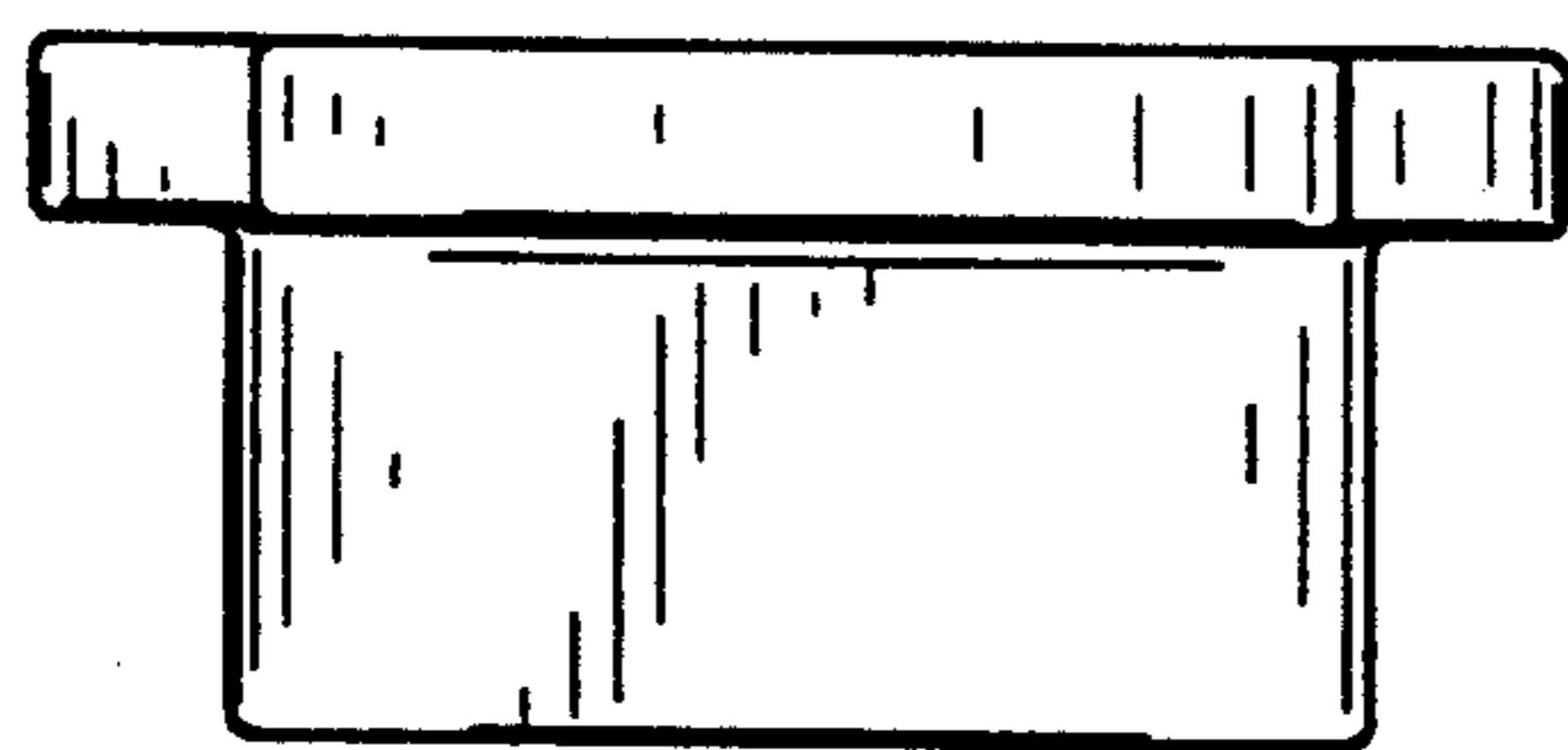


Fig.3

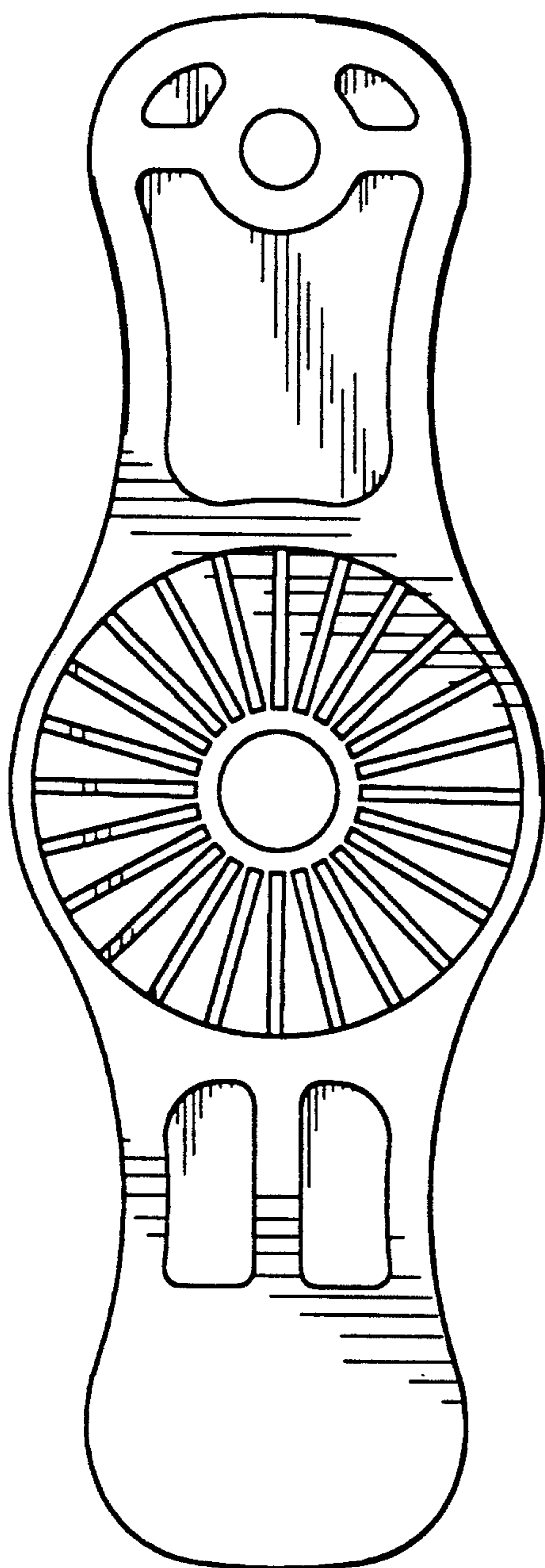


Fig.5

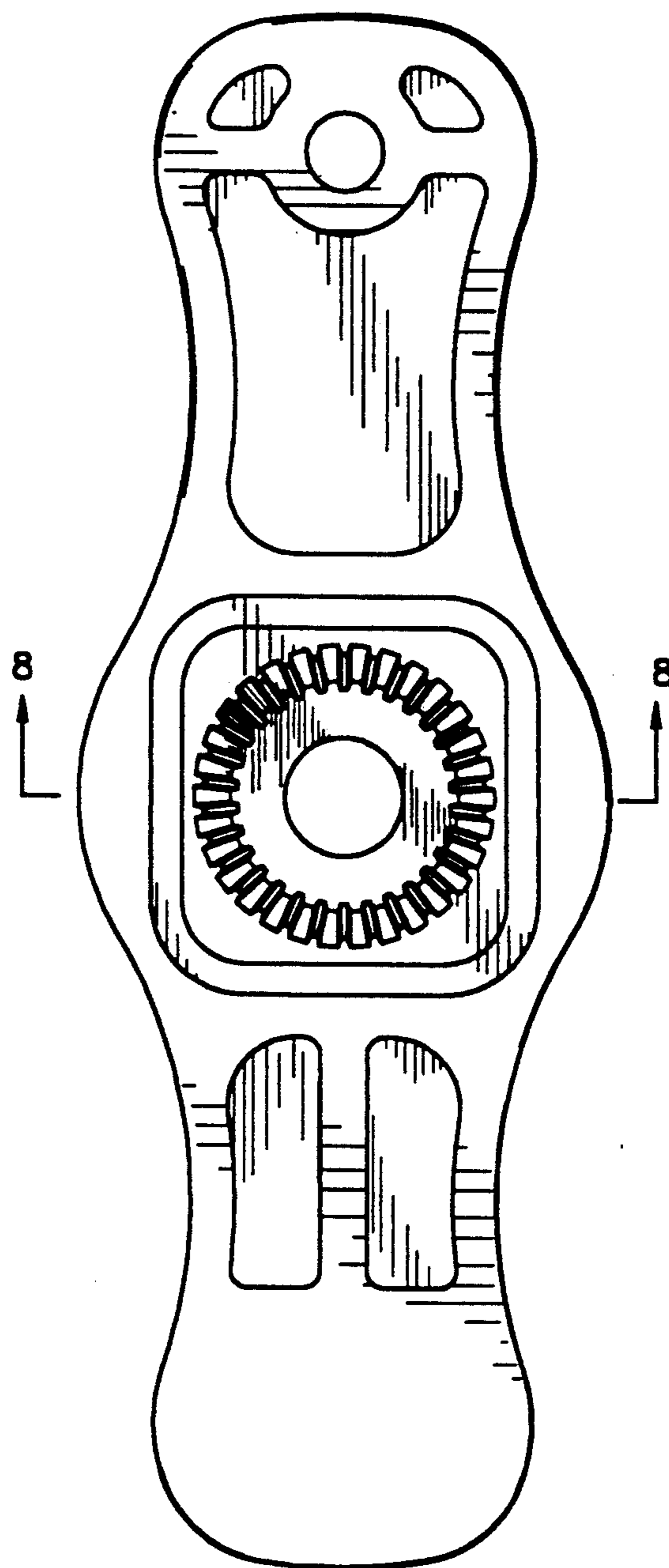


Fig.4

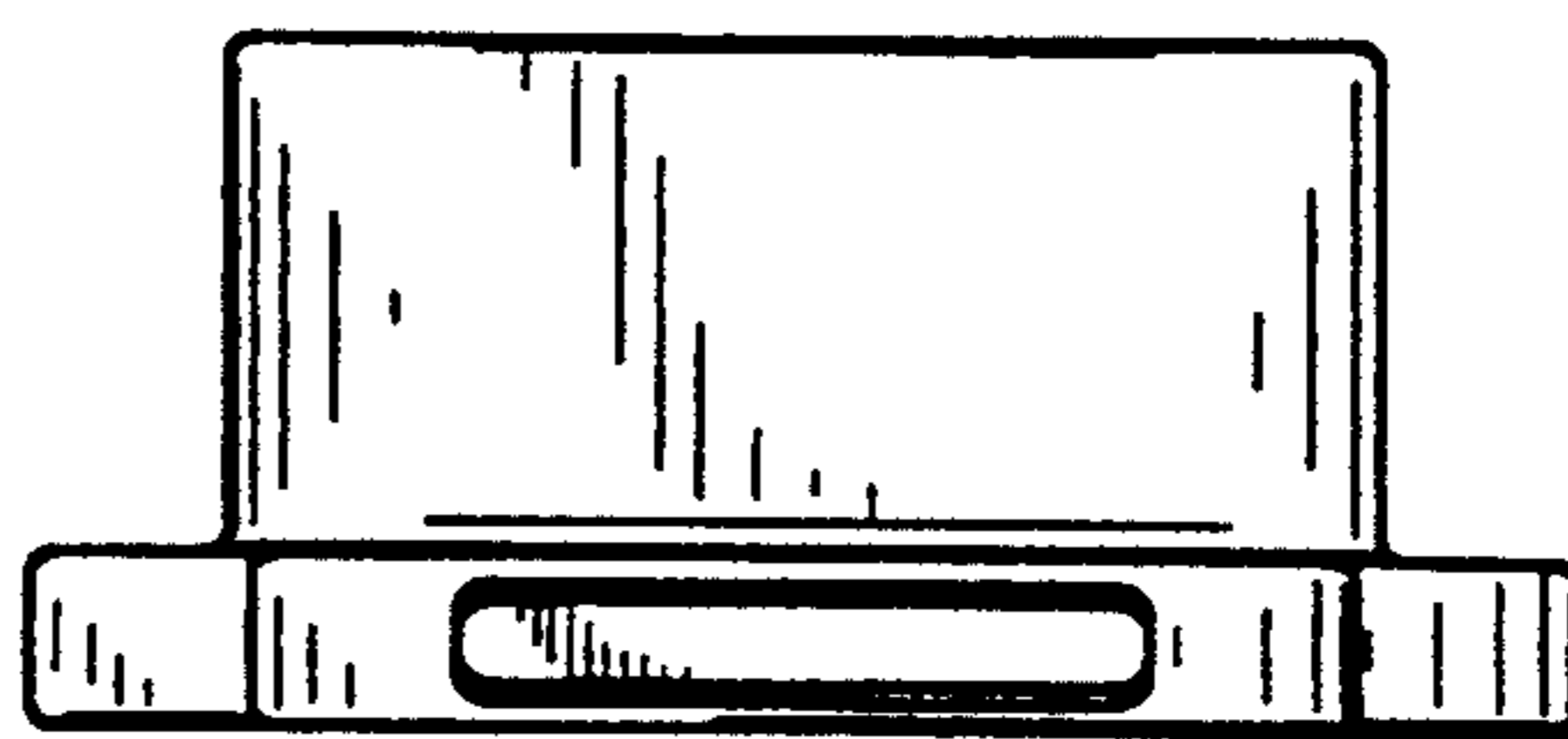


Fig.6

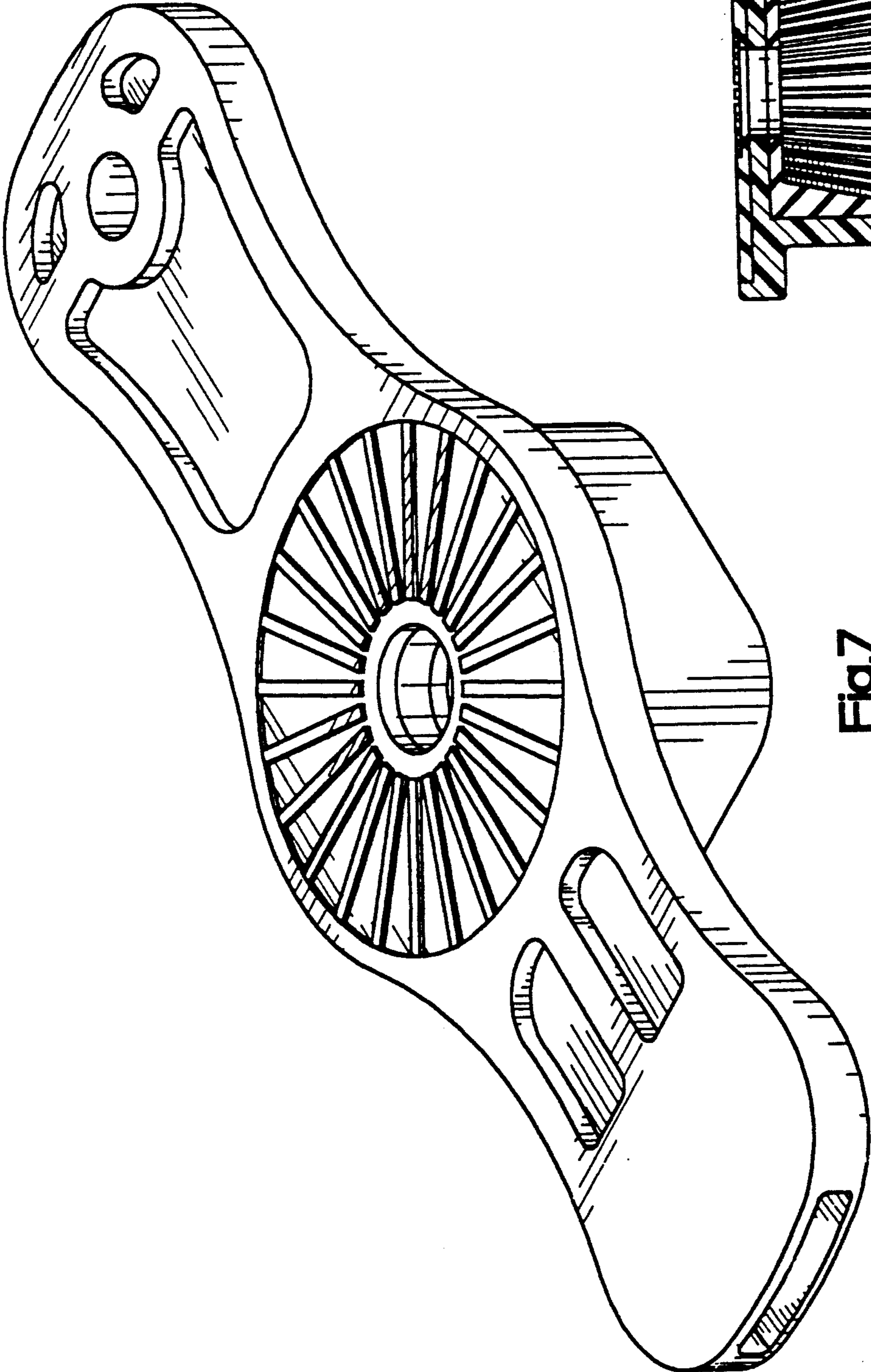


Fig.7

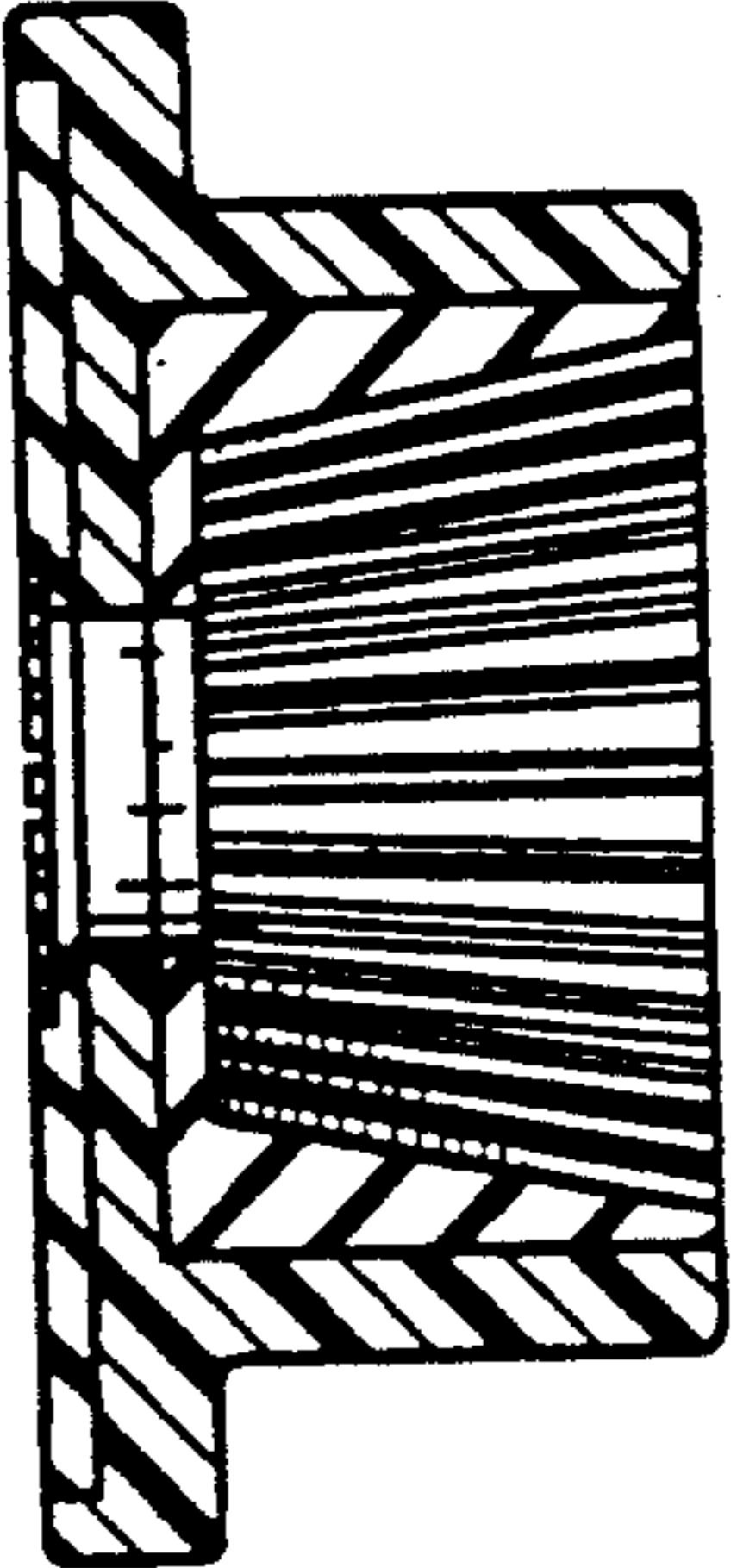


Fig.8