



US00D339266S

United States Patent [19]

[11] Patent Number: **Des. 339,266**

Lockett

[45] Date of Patent: **** Sep. 14, 1993**

[54] CAKE RACK

[76] Inventor: **Ella-Winn M. Lockett**, 816 Carpenter St., Akron, Ohio 44310

[**] Term: **14 Years**

[21] Appl. No.: **895,885**

[22] Filed: **Jun. 9, 1992**

[52] U.S. Cl. **D7/409; D7/323; D7/354; D7/360; D7/388; D7/667**

[58] Field of Search **D7/354, 360, 409, 667, D7/323, 388; 99/403, 417, 422; 220/405, 912**

[56] References Cited

U.S. PATENT DOCUMENTS

D. 15,429	10/1884	Ayres	D7/667	X
D. 58,205	6/1921	Andrews	D7/409	
298,339	5/1884	Bender	99/403	X
D. 310,043	6/1899	Smith	D7/409	
896,708	8/1908	Bruce	99/417	
2,777,308	1/1957	Roberts et al.		
2,820,446	1/1958	Freeman	D7/360	X
3,536,000	10/1970	Whitehill	99/422	X

FOREIGN PATENT DOCUMENTS

2639324	5/1990	France	220/405	
---------	--------	--------	-------	---------	--

OTHER PUBLICATIONS

Supplement to Abitare Magazine, Dec. 1981; p. 23; No. 200 Accessories 5; NK 1700A3, wire basket.

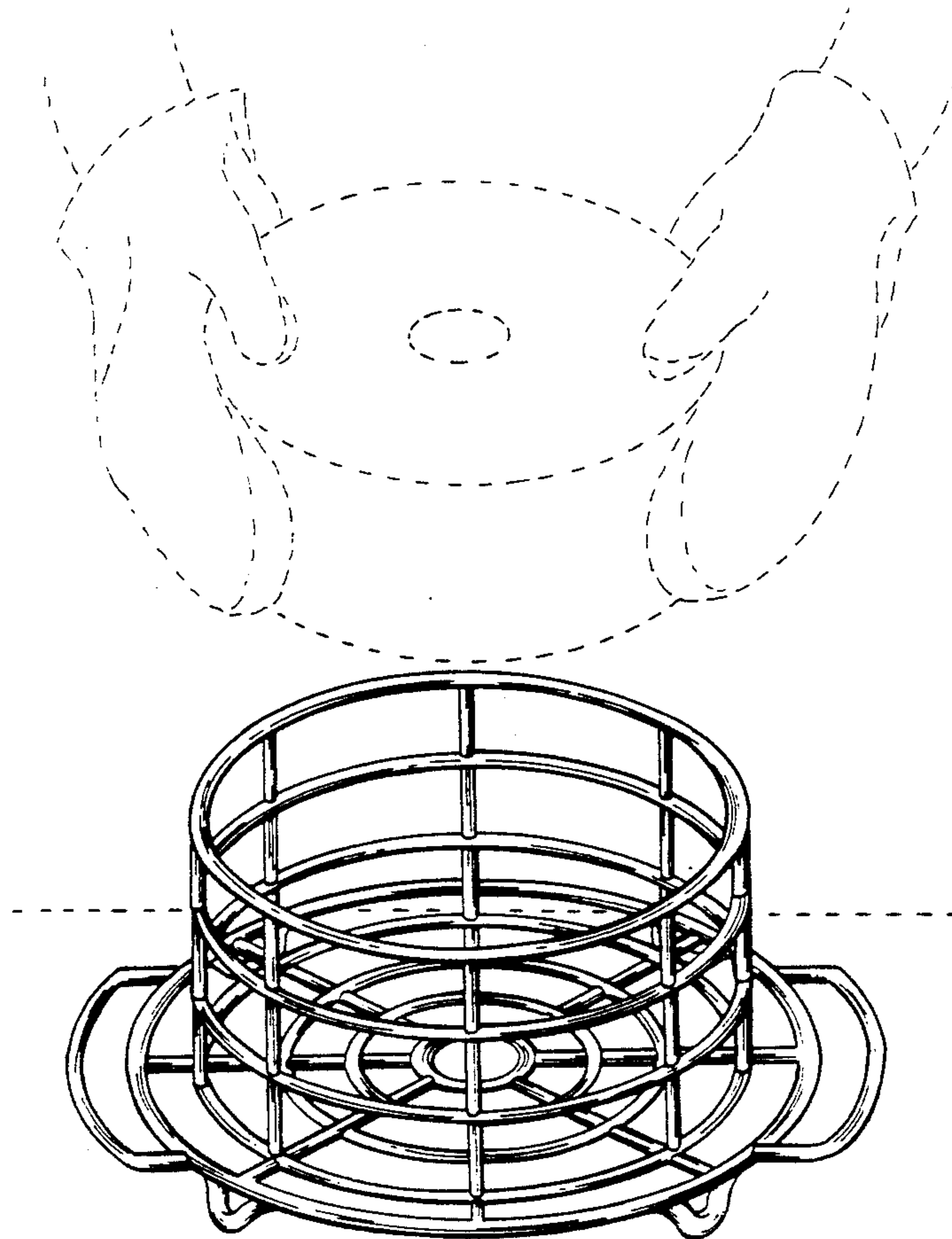
Primary Examiner—Alan P. Douglas
Assistant Examiner—Caron D. Veynar
Attorney, Agent, or Firm—Richard C. Litman

[57] CLAIM

The ornamental design for a cake rack, as shown and described.

DESCRIPTION

FIG. 1 is an environmental perspective view of a cake rack showing my new design;
FIG. 2 is a perspective view thereof;
FIG. 3 is a top plan view thereof;
FIG. 4 is a bottom plan view thereof;
FIG. 5 is a front elevational view, the rear elevational view being a mirror image thereof; and,
FIG. 6 is a right side elevational view, the left side elevational view being a mirror image thereof.
The broken line showing of a person getting ready to put a Bundt cake into the cooling rack of my invention is for illustrative purposes only and forms no part of the claimed design.



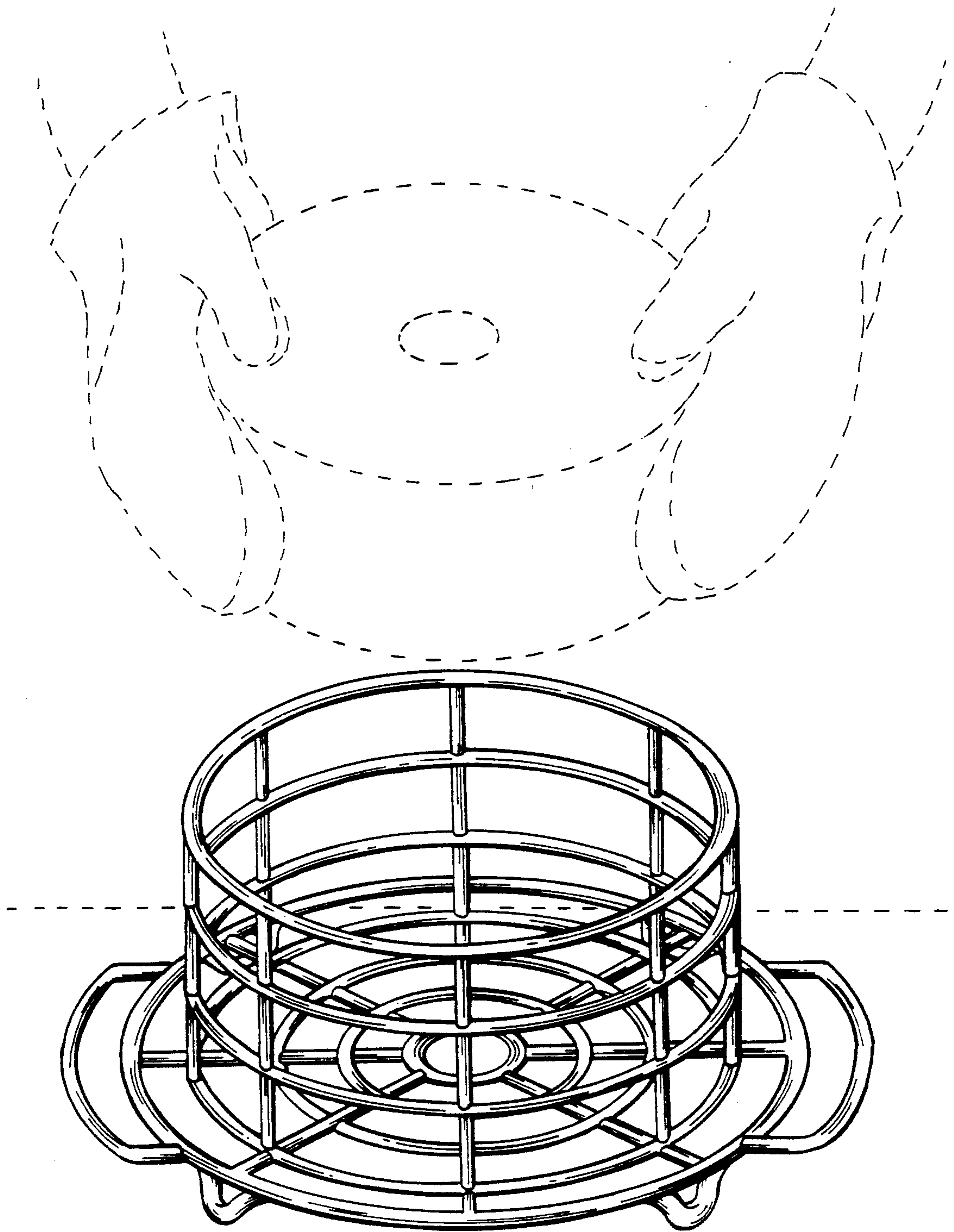


FIG. 1

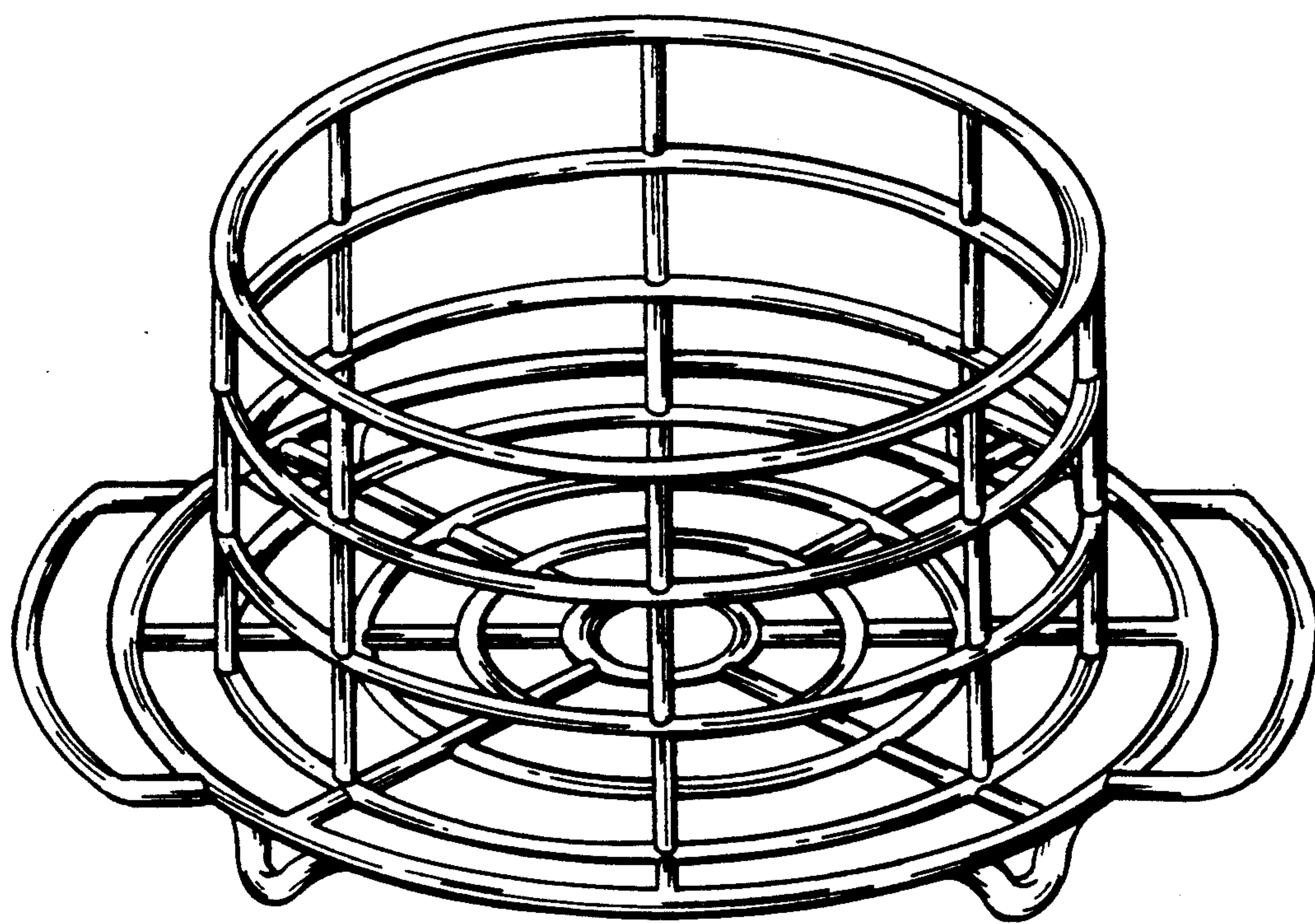


FIG. 2

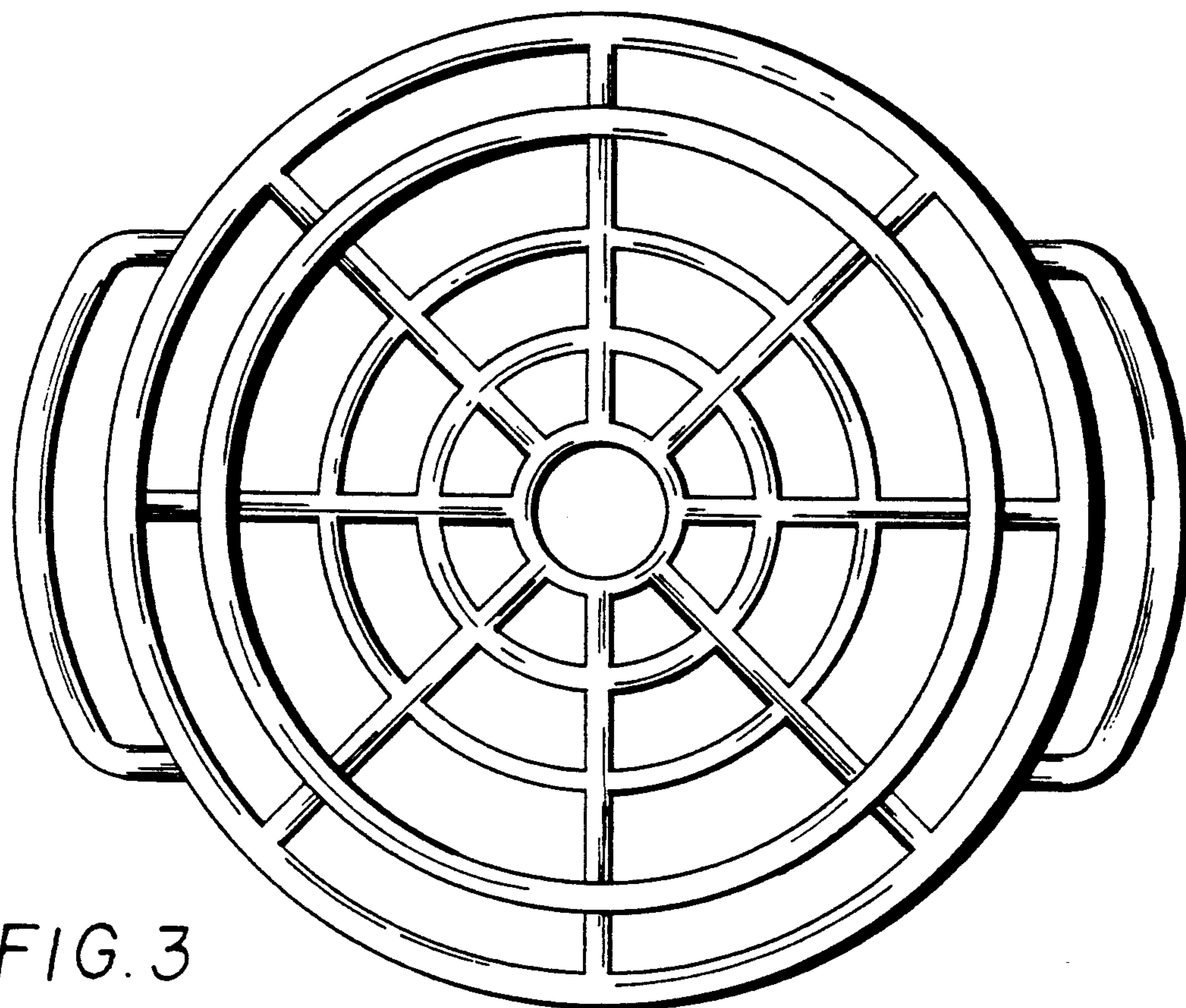


FIG. 3

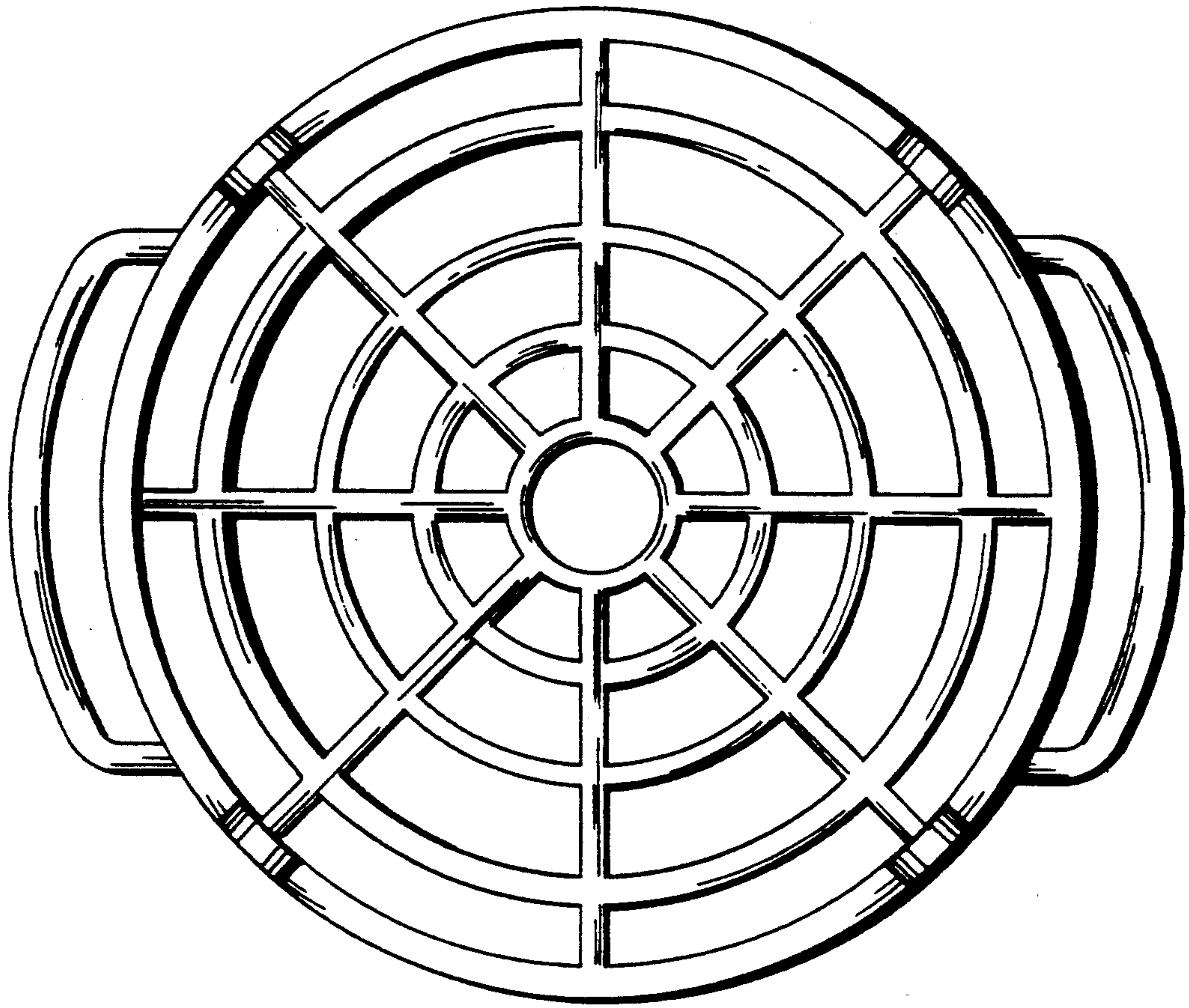


FIG. 4

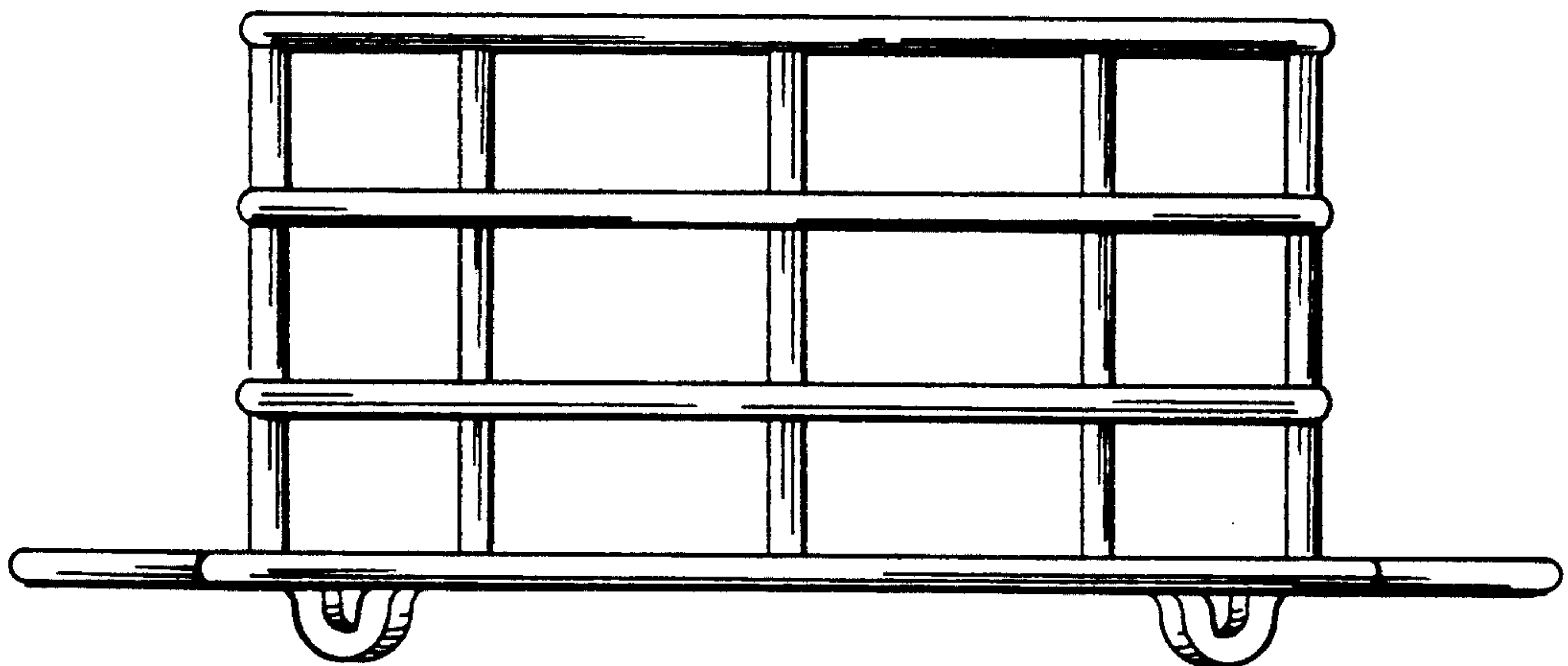


FIG. 5

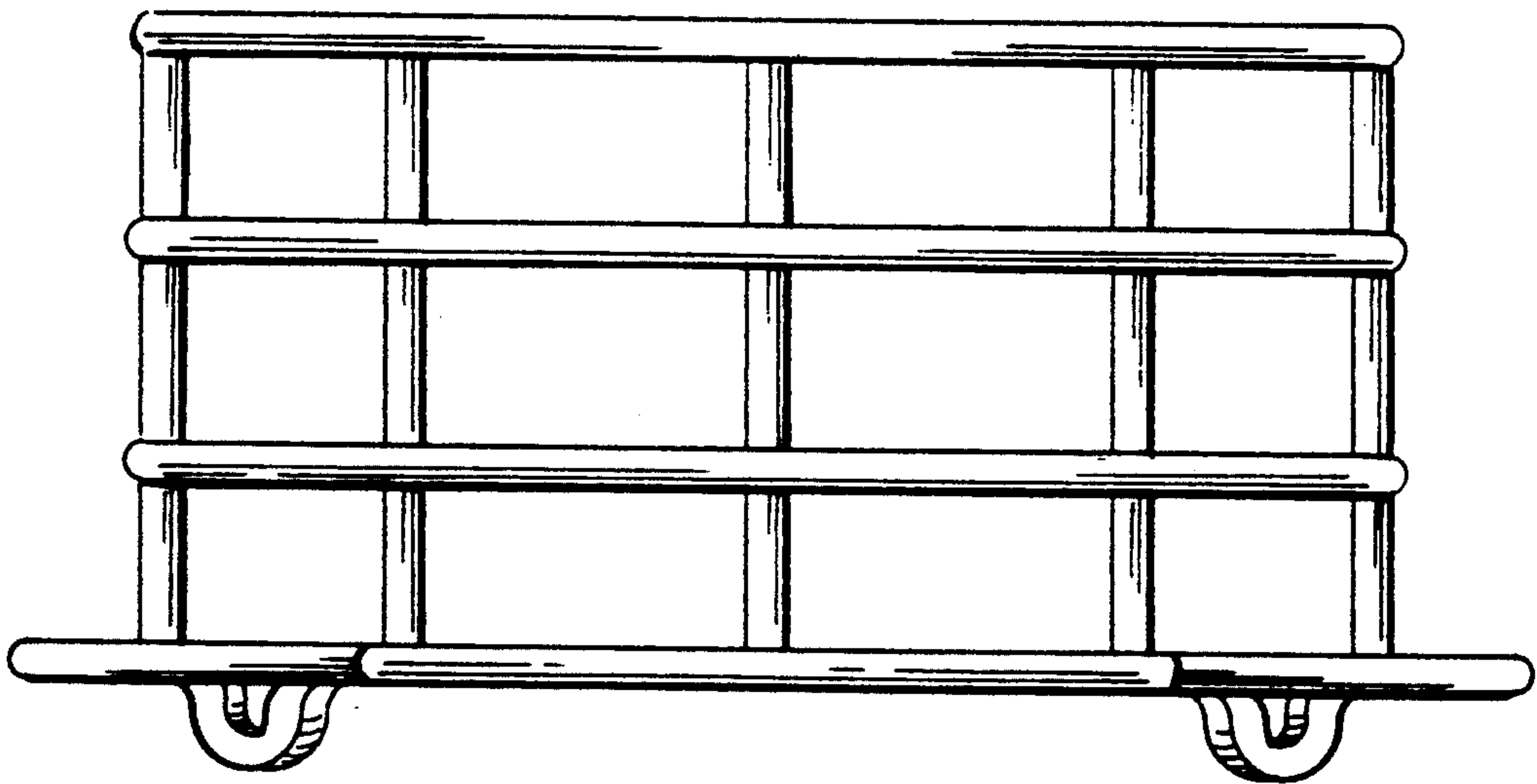


FIG. 6