



US00D339264S

United States Patent [19]

[11] Patent Number: **Des. 339,264**

Lee

[45] Date of Patent: **** Sep. 14, 1993**

[54] **GRILLING APPARATUS**

[76] Inventor: **Sang O. Lee**, 333-4, Shinku Art Villa A-302, Bangbae-Dong, Seocho-ku, Seoul, Rep. of Korea

[**] Term: **14 Years**

[21] Appl. No.: **709,759**

[22] Filed: **Jun. 3, 1991**

[52] U.S. Cl. **D7/359; D7/354; D7/409**

[58] Field of Search **D7/323, 354, 356, 359, D7/402, 409; 99/393, 402, 422, 425, 426; D9/424**

[56] **References Cited**

U.S. PATENT DOCUMENTS

- D. 184,525 3/1959 Lurie D9/424
- D. 227,132 6/1973 Kelly D7/359
- D. 264,096 4/1982 Jones D7/541 X

- D. 297,393 8/1988 Picozza et al. D7/409 X
- 1,650,634 11/1927 Lutzler D7/409 X
- 3,292,528 12/1966 Myler D7/359 X
- 4,442,969 4/1984 Holden D7/359 X

Primary Examiner—Alan P. Douglas
Assistant Examiner—Caron D. Veynar
Attorney, Agent, or Firm—Thomas R. Morrison

[57] **CLAIM**

The ornamental design for a grilling apparatus, as shown and described.

DESCRIPTION

FIG. 1 is a perspective view showing the grilling apparatus of my new design;
FIG. 2 is a top plan view thereof;
FIG. 3 is a front elevational view thereof;
FIG. 4 is a right side elevational view thereof;
FIG. 5 is a bottom view thereof;
FIG. 6 is an A—A cross sectional view thereof; and,
FIG. 7 is a B—B cross sectional view thereof.

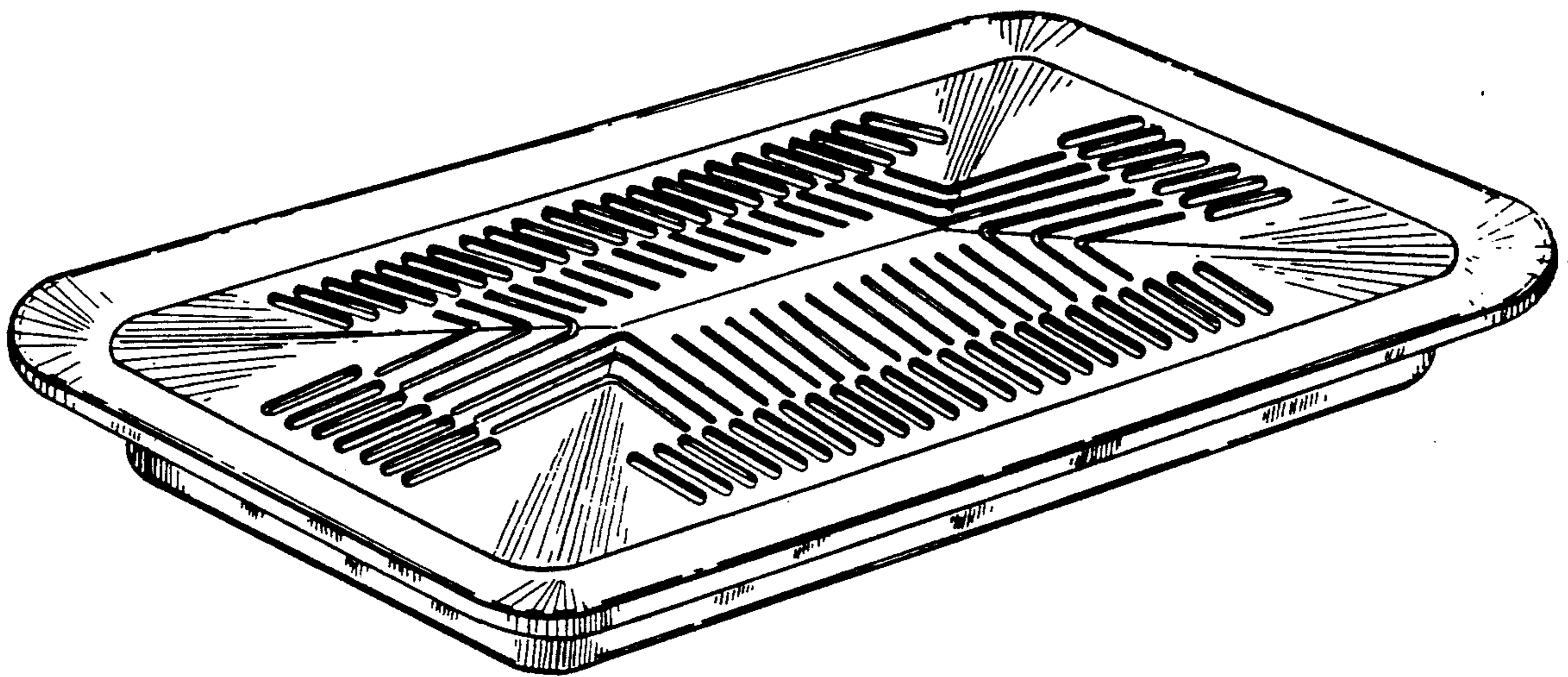


FIG. 1

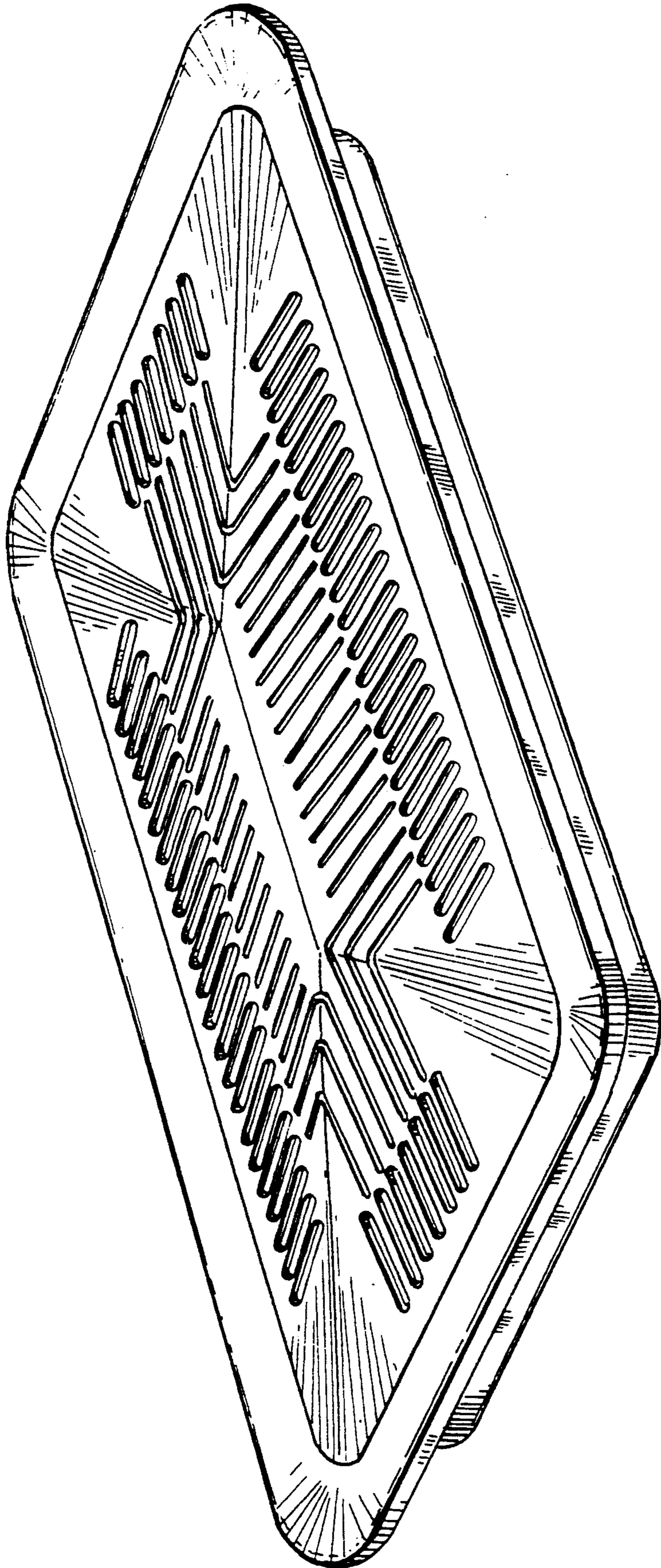


FIG. 2

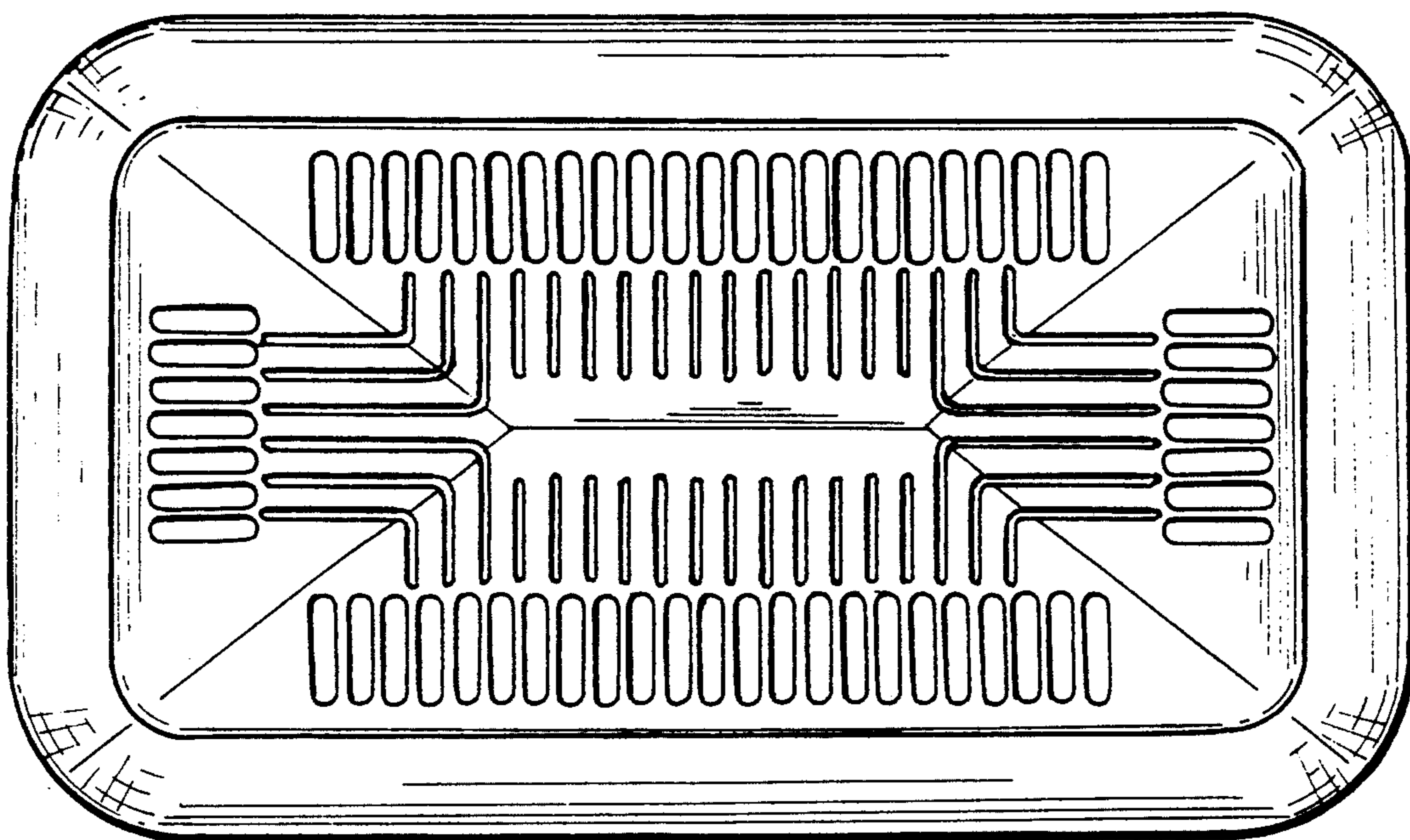


FIG. 3

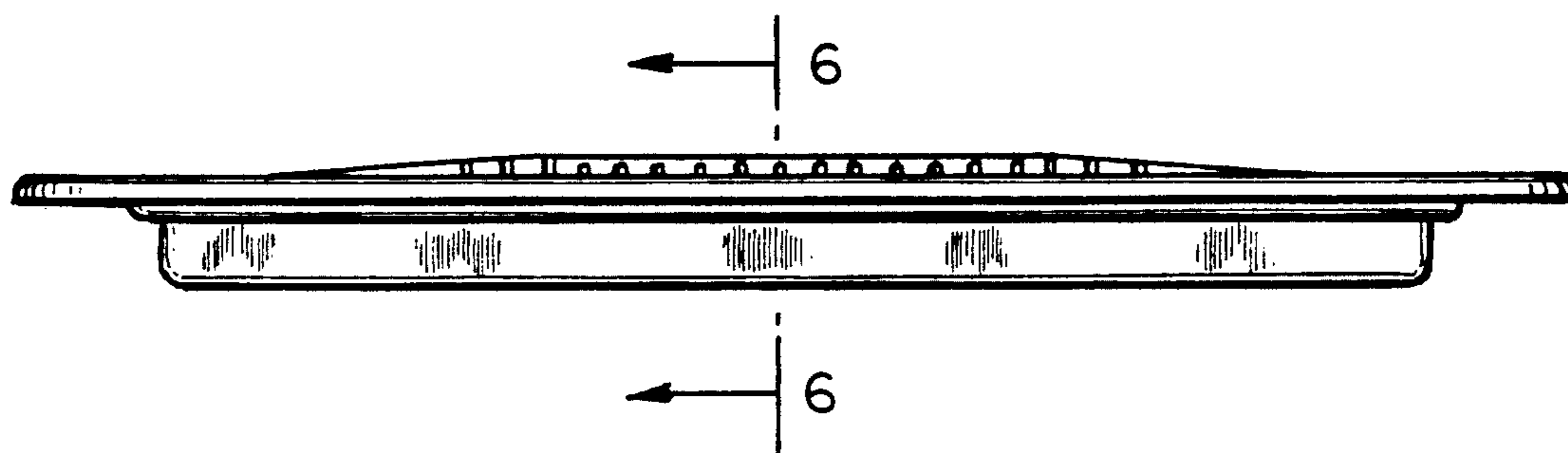


FIG. 4

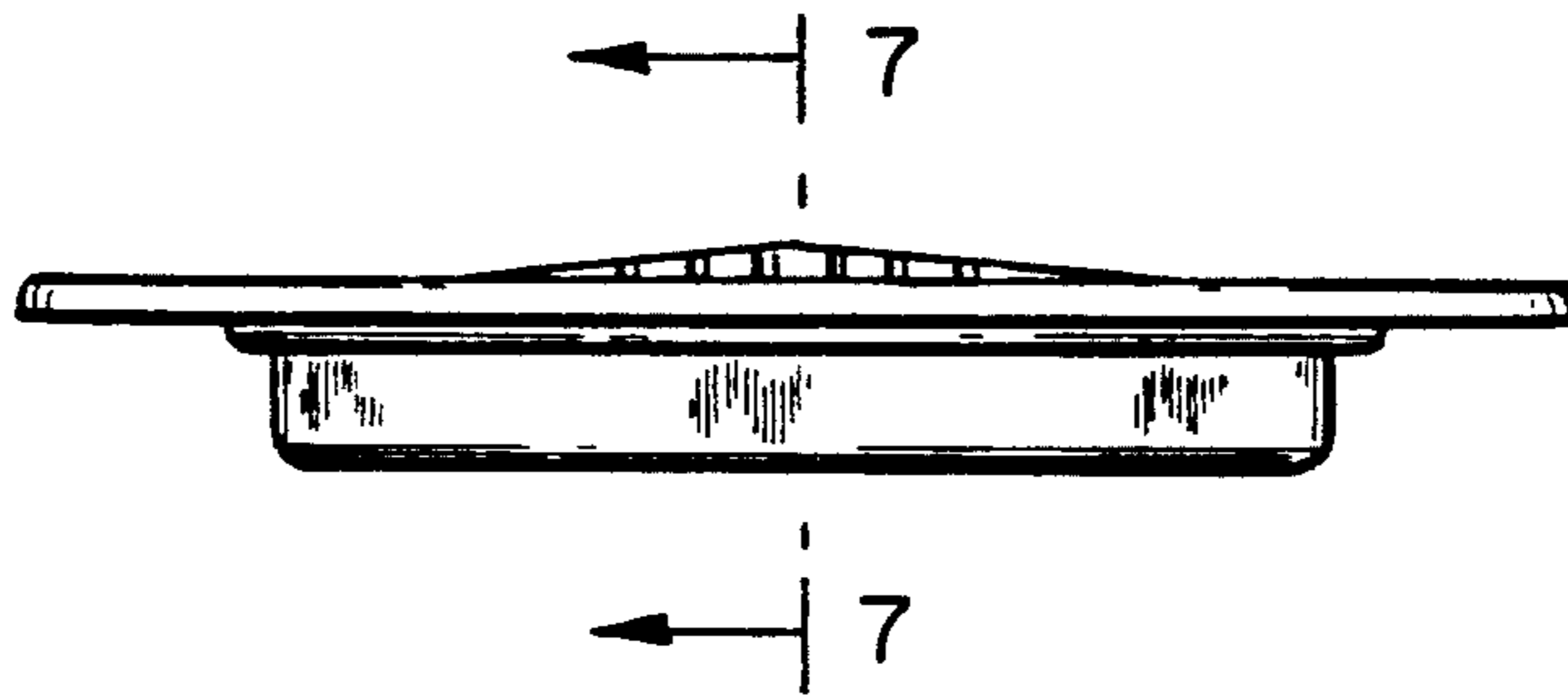


FIG. 5

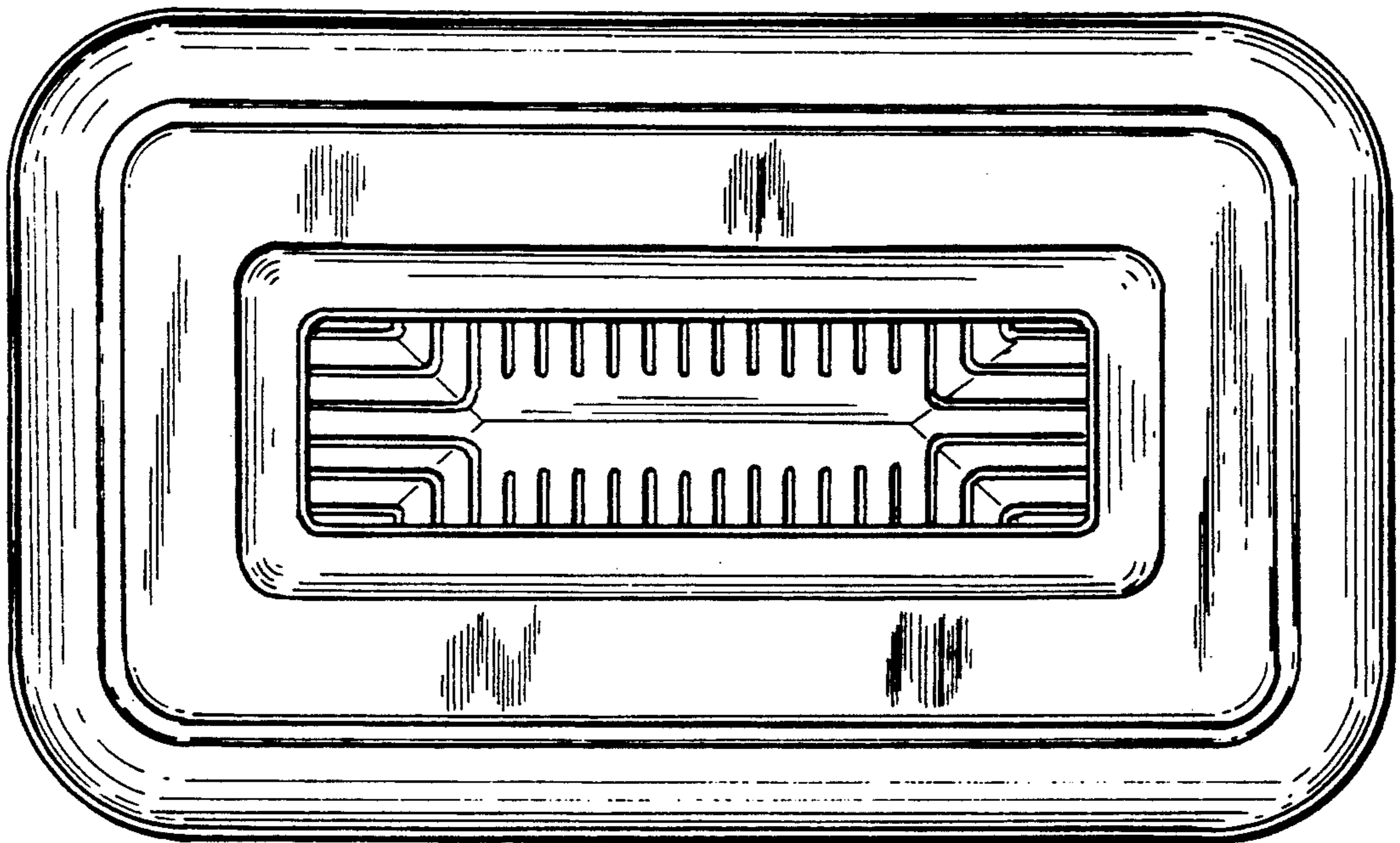


FIG. 6

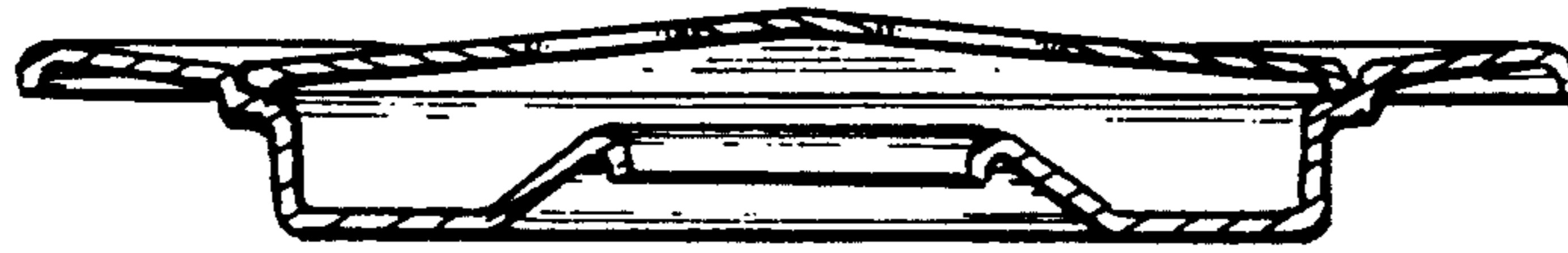


FIG. 7

