



US00D339260S

# United States Patent [19]

Hillard et al.

[11] Patent Number: Des. 339,260

[45] Date of Patent: \*\* Sep. 14, 1993

[54] BATHROOM STORAGE SHELF ASSEMBLY

[76] Inventors: Robert O. J. Hillard, 7441 Harlan Way, Westminster, Colo. 80003; Albin J. Hillard, 1307 Rosita Rd., Pacifica, Calif. 94044

[\*\*] Term: 14 Years

[21] Appl. No.: 726,525

[22] Filed: Jul. 8, 1991

[52] U.S. Cl. .... D6/574; D6/524

[58] Field of Search ..... D6/512, 553, 567, 569-570, D6/574, 511; 108/28, 136, 152; 211/13, 16, 86, 88-90, 126, 134

[56] References Cited

### U.S. PATENT DOCUMENTS

D. 280,583	9/1985	Evenson	.....	D6/574
D. 304,888	12/1989	Korpjaako	.....	D6/574
D. 329,560	9/1992	Levien	.....	D6/574 X
3,140,557	7/1964	Albrycht	.....	4/605
3,373,448	3/1968	Butler	.....	4/605
3,919,950	11/1975	Fruzehe et al.	.....	108/152 X

3,995,330	12/1976	Meyers	.....	4/605
4,525,882	7/1985	Stenberg	.....	4/605
4,727,606	3/1988	Cavey	.....	4/605

### FOREIGN PATENT DOCUMENTS

17457	11/1888	United Kingdom	.
645798	10/1985	United Kingdom	.

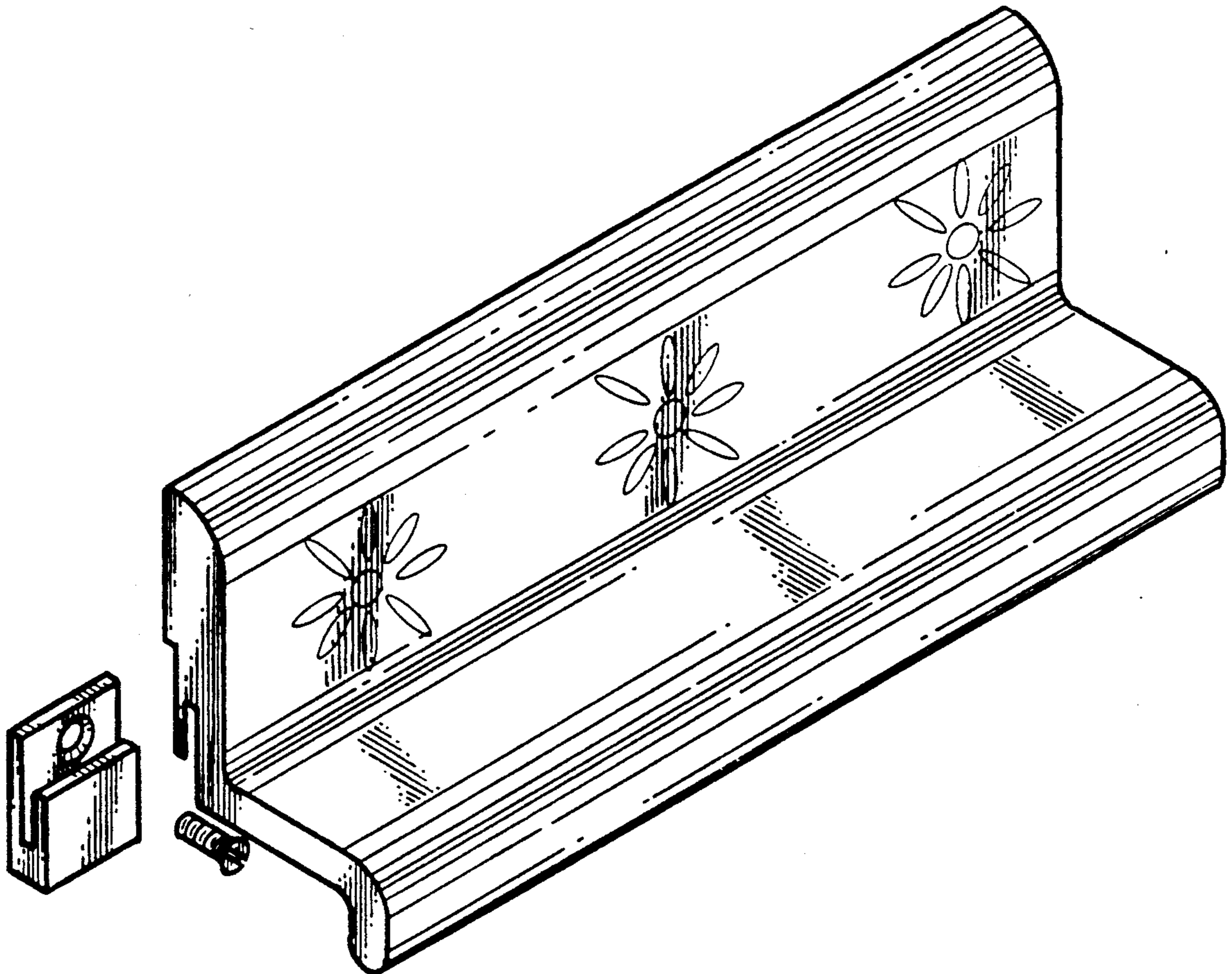
Primary Examiner—Brian N. Vinson  
Attorney, Agent, or Firm—Terry M. Gernstein

[57] CLAIM

The ornamental design for a bathroom storage shelf assembly, as shown and described.

### DESCRIPTION

FIG. 1 is an exploded perspective view of the bathroom storage shelf assembly embodying the design of the present invention;  
FIG. 2 is an end elevational view thereof;  
FIG. 3 is an end elevational view thereof;  
FIG. 4 is a front elevational view thereof;  
FIG. 5 is a rear elevational view thereof;  
FIG. 6 is a top plan view thereof; and,  
FIG. 7 is a bottom view thereof.



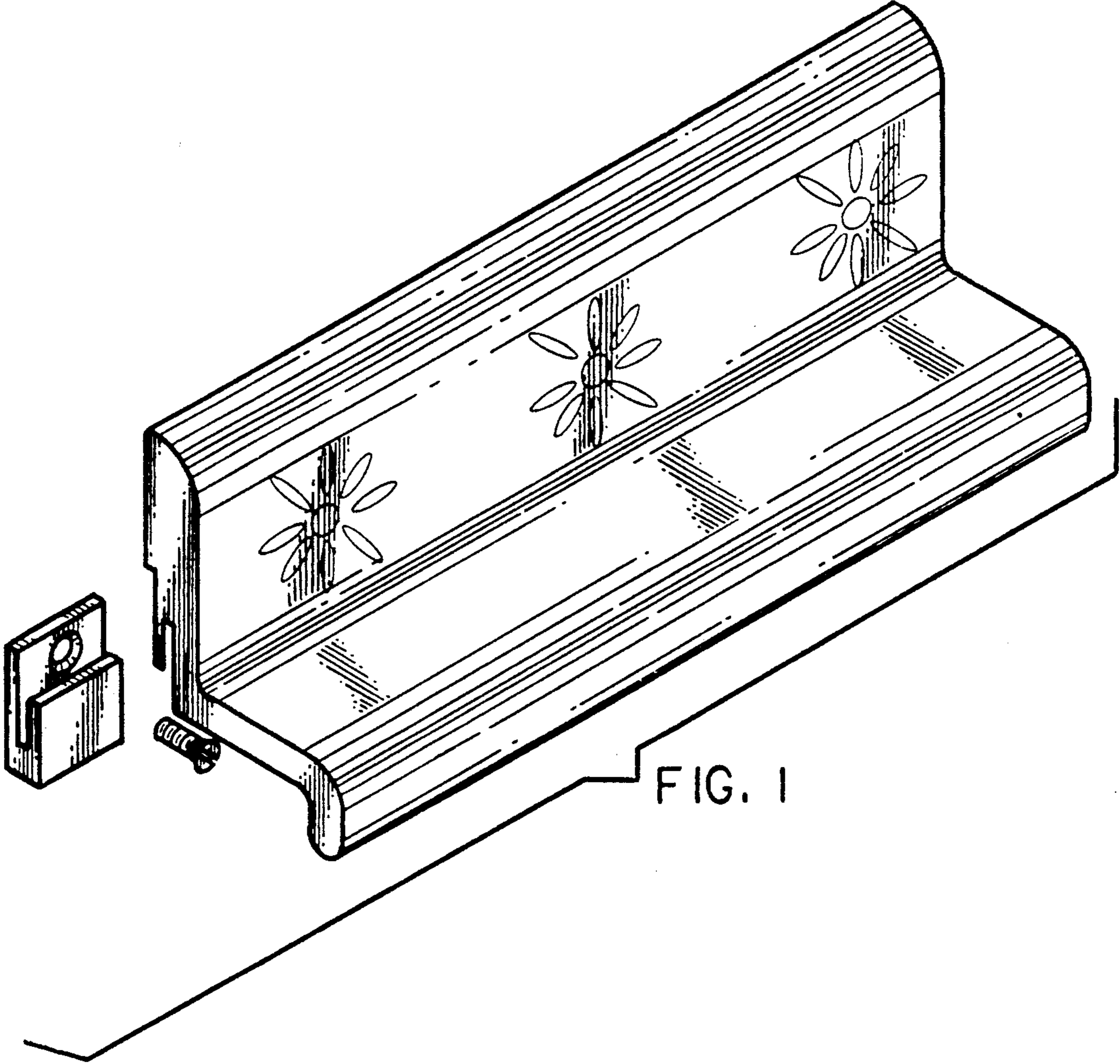
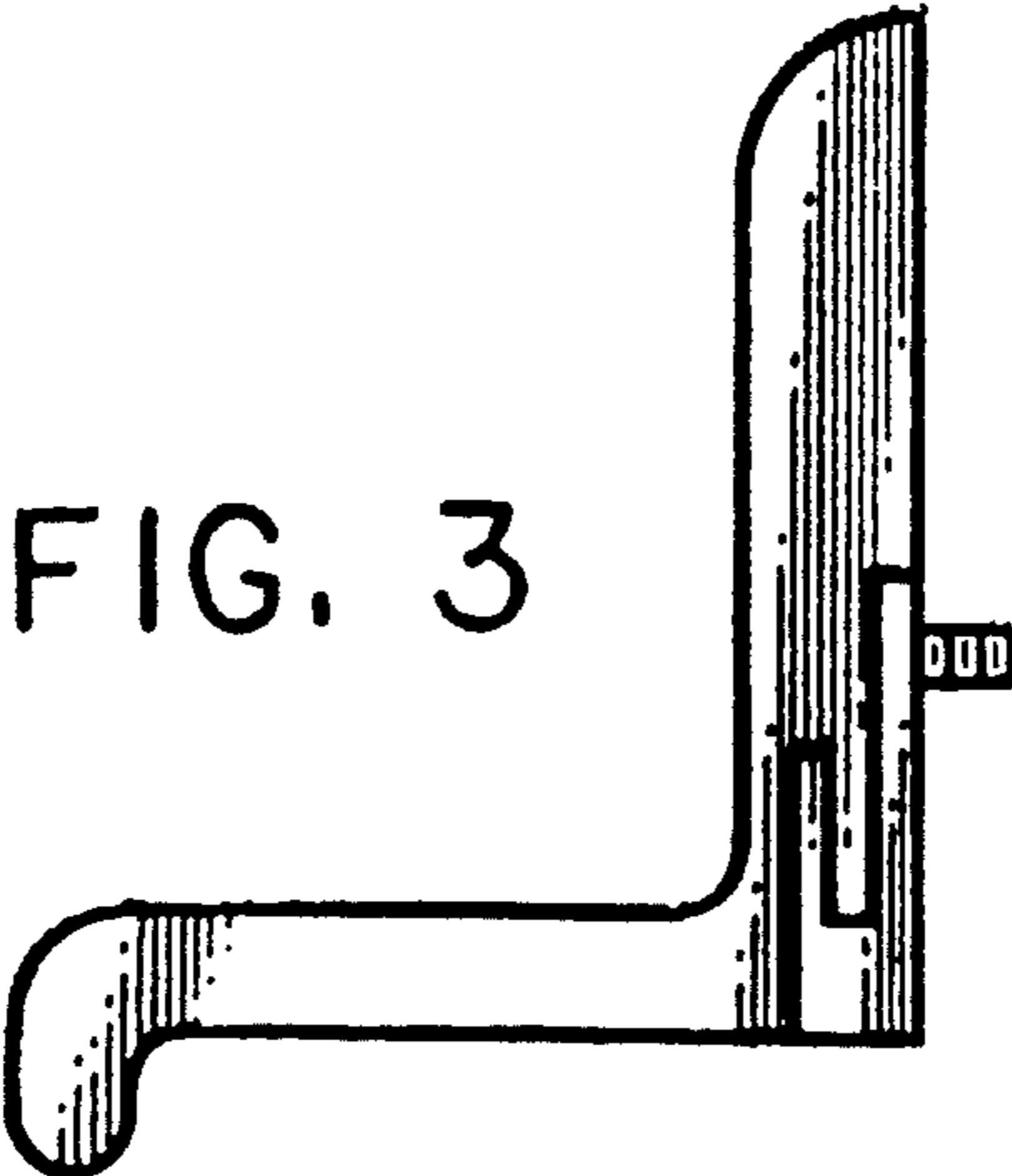
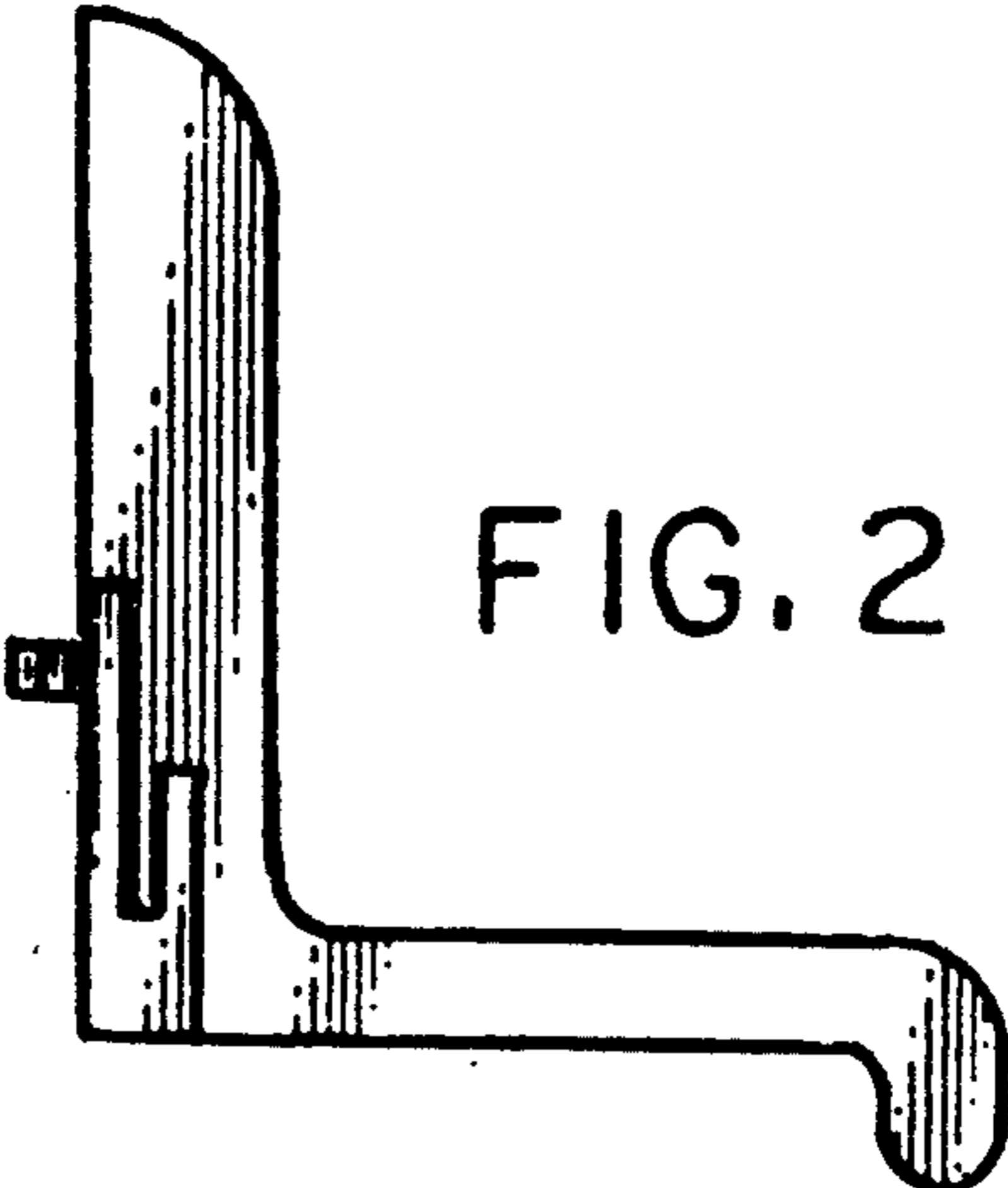


FIG. 1



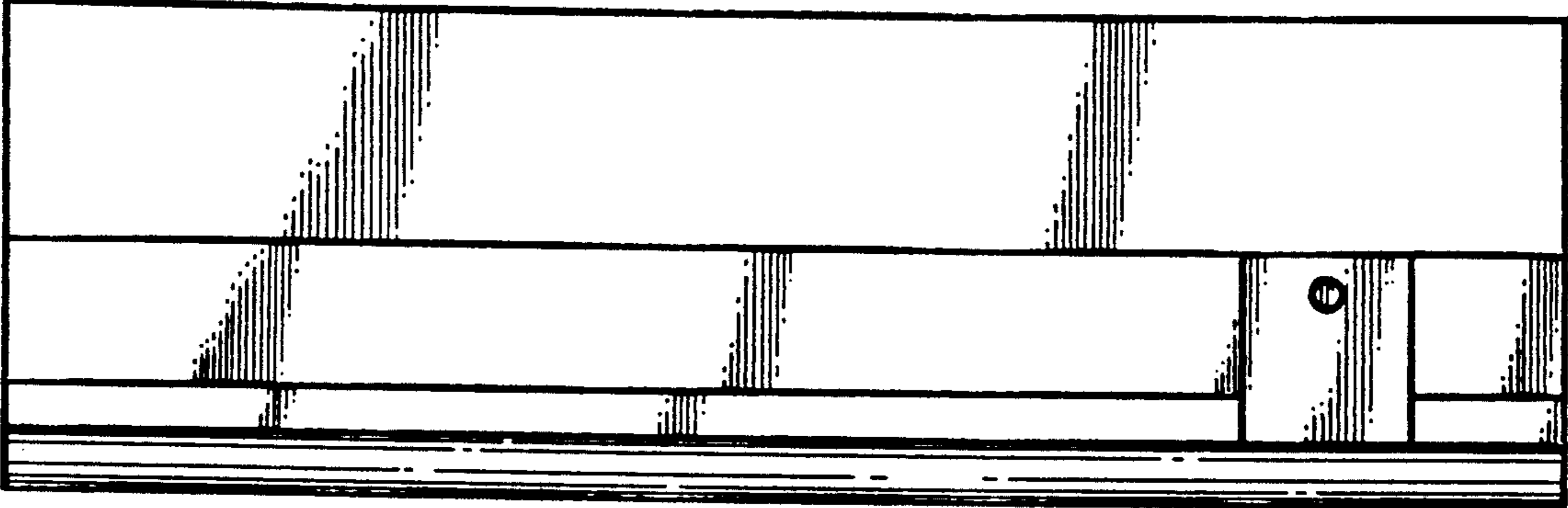


FIG. 4

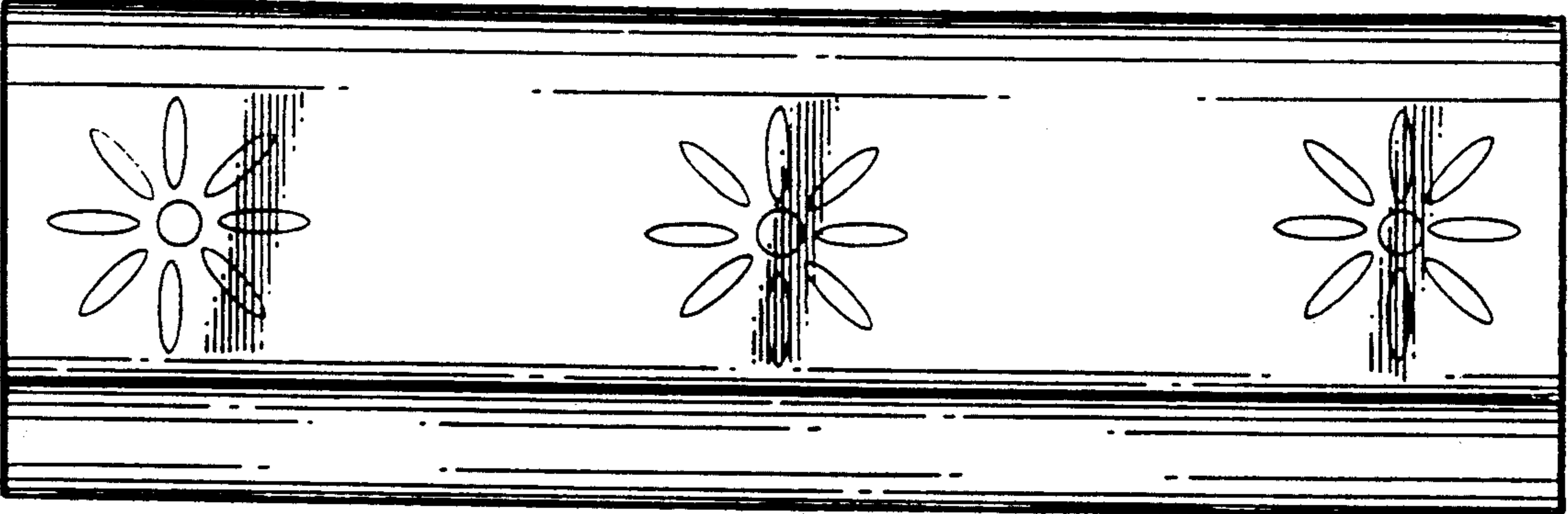


FIG. 5

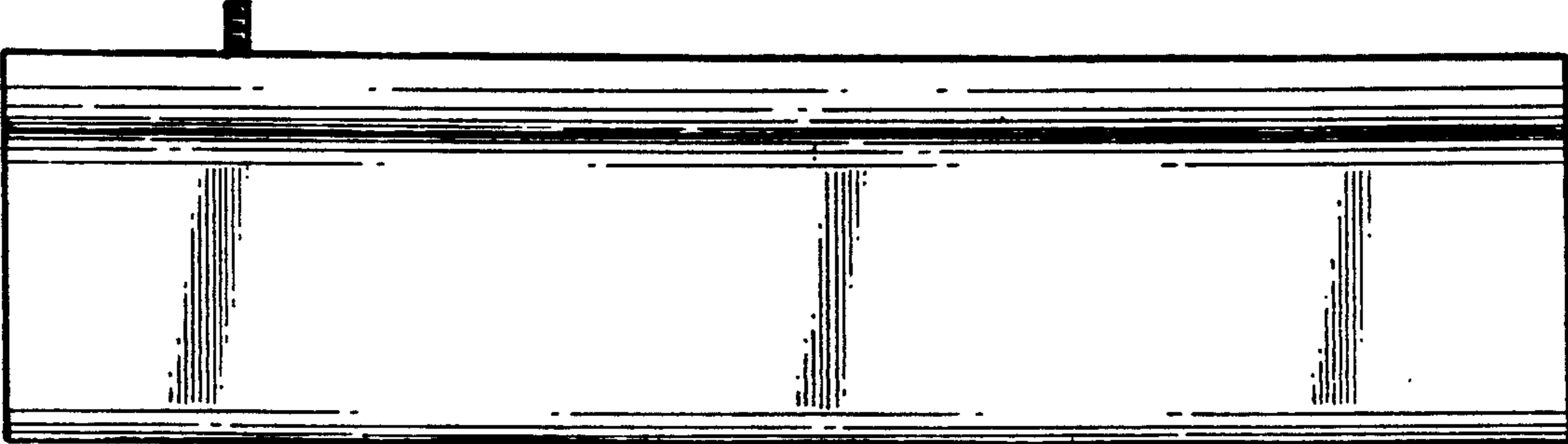


FIG. 6

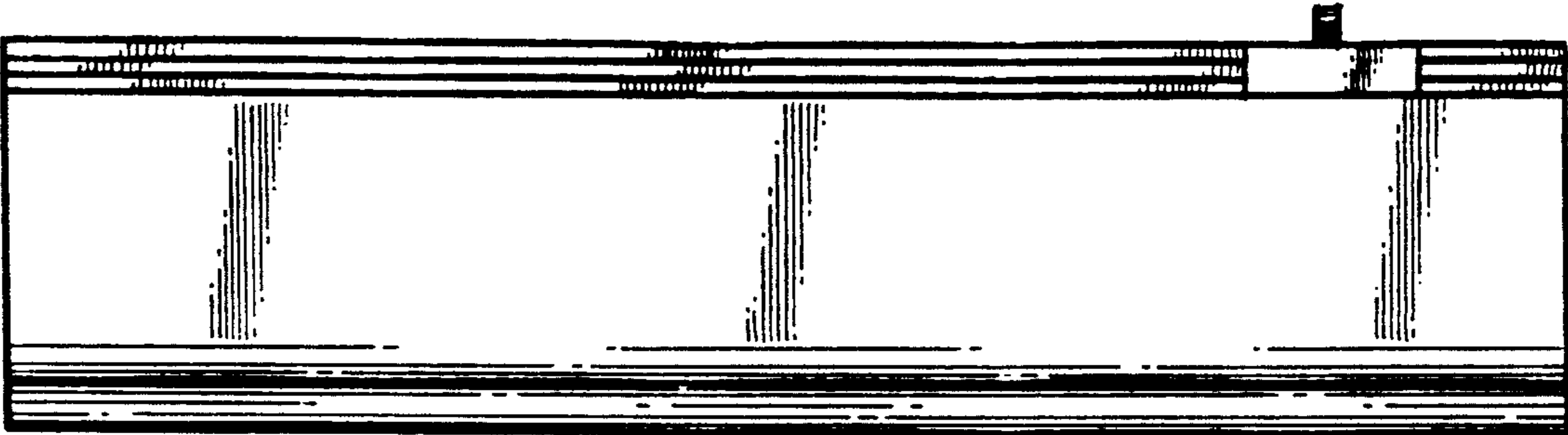


FIG. 7