



US00D339257S

# United States Patent [19]

[11] Patent Number: **Des. 339,257**

Scharer et al.

[45] Date of Patent: **\*\* Sep. 14, 1993**

[54] **DESK**

[75] Inventors: **Paul Scharer, Munsingen; Fritz Haller, Solothurn; Rudolf Graf, Konolfingen, all of Switzerland**

[73] Assignee: **USM U. Scharer Sohne AG, Switzerland**

[\*\*] Term: **14 Years**

[21] Appl. No.: **614,732**

[22] Filed: **Nov. 13, 1990**

[52] U.S. Cl. .... **D6/474; D6/426**

[58] Field of Search ..... **D6/419-428, D6/429-431, 474, 480, 484, 487, 477-479; 312/194-196; 108/92, 3**

D. 283,094	3/1986	Strand et al. ....	D6/478
D. 294,440	3/1988	Werner .....	D6/422
D. 302,890	8/1989	Ng et al. ....	D6/487 X
D. 306,101	2/1990	Borsani .....	D6/426 X
D. 318,963	8/1991	Haseke et al. ....	D6/474
D. 323,436	1/1992	Harrison .....	D6/429
4,469,029	9/1984	Ramond .....	108/3

*Primary Examiner*—Carmen H. Vales-Lado  
*Attorney, Agent, or Firm*—Robin, Blecker, Daley & Driscoll

### [57] CLAIM

The ornamental design for a desk, as shown and described.

### DESCRIPTION

FIG. 1 is a perspective view of a desk showing our new design;  
FIG. 2 is a front elevation of the desk of FIG. 1;  
FIG. 3 is a top plan view of the desk of FIG. 1;  
FIG. 4 is a rear elevation of the desk of FIG. 1;  
FIG. 5 is a bottom plan view of the desk of FIG. 1;  
FIG. 6 is a left side elevation of the desk of FIG. 1; and,  
FIG. 7 is a right side elevation of the desk of FIG. 1.

### [56] References Cited

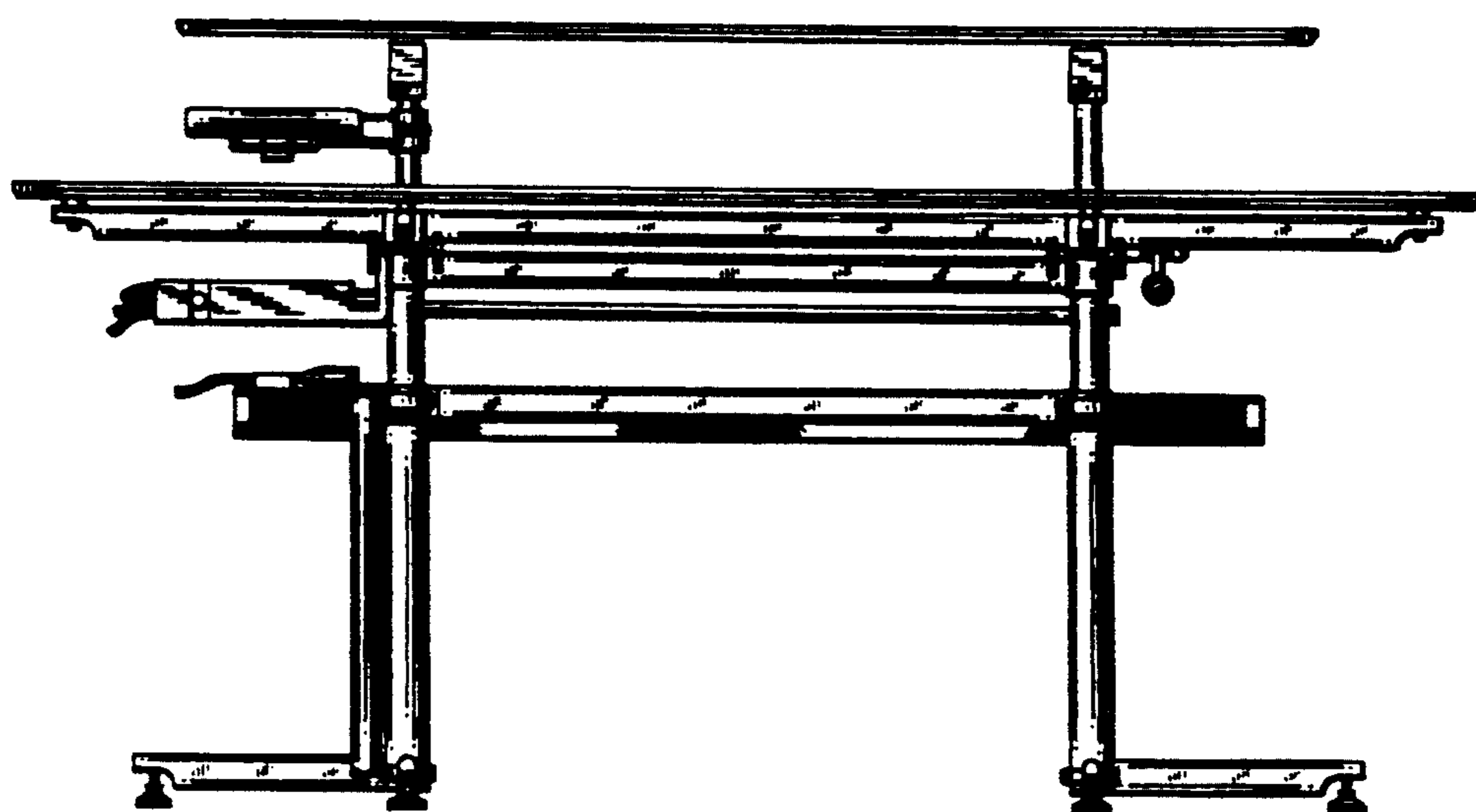
#### U.S. PATENT DOCUMENTS

D. 243,984	4/1977	Christen, Jr. ....	D6/474 X
D. 266,467	0/1982	Ylänkö .....	D6/474 X
D. 267,690	1/1983	Verdesca .....	D6/426
D. 279,740	7/1985	Slager .....	D6/478





*FIG. 1*



*FIG. 2*

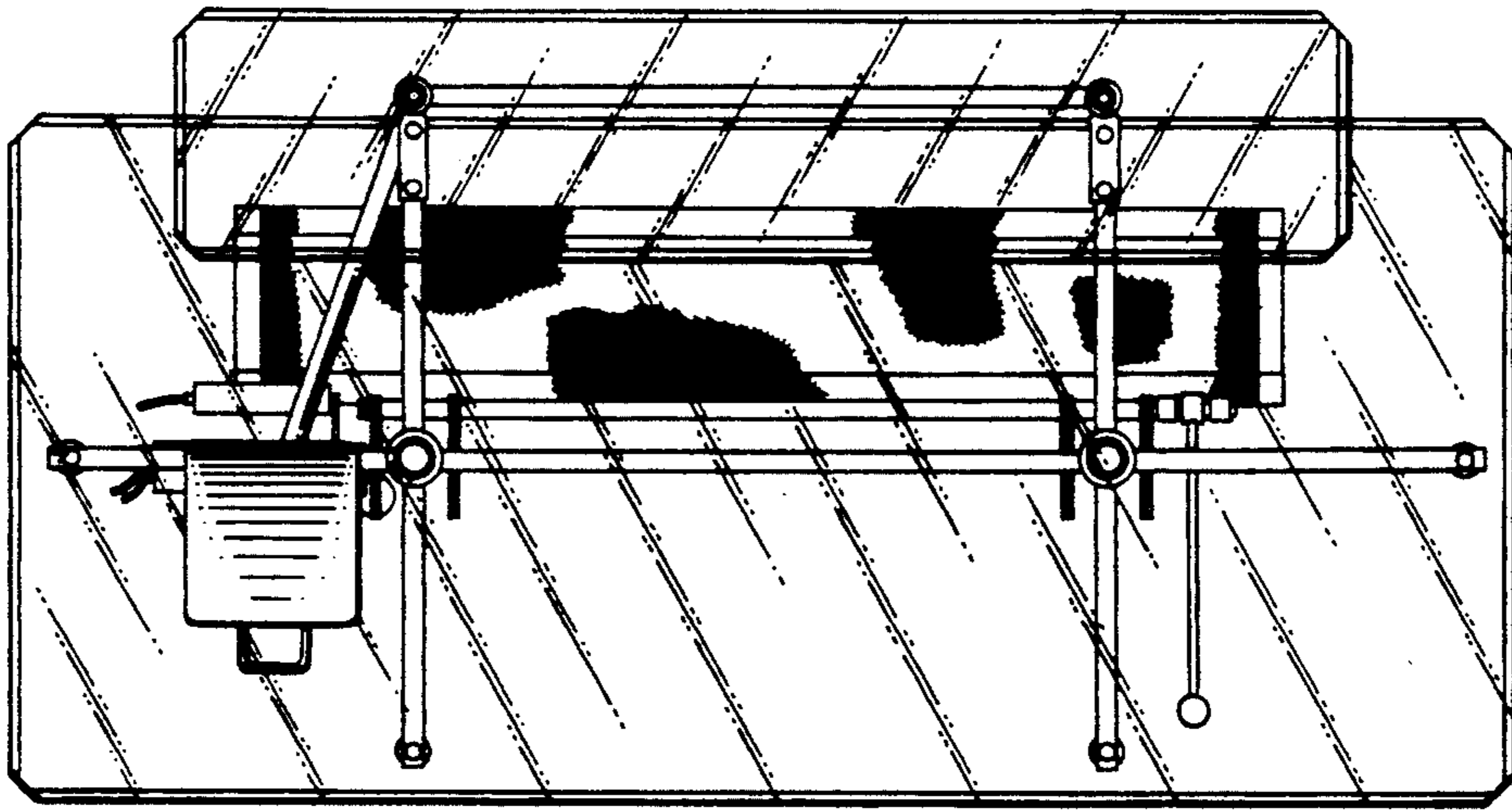


FIG. 3

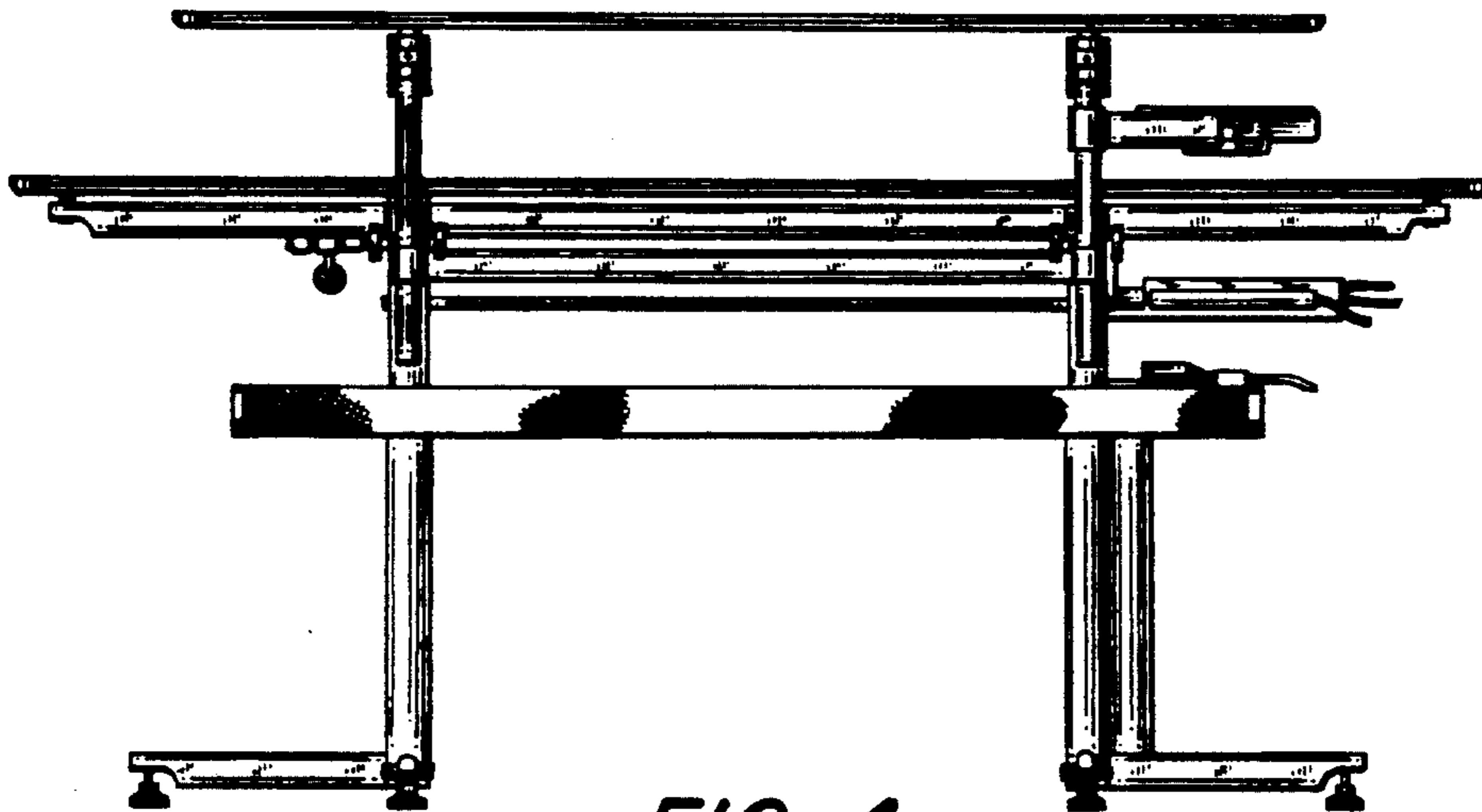


FIG. 4

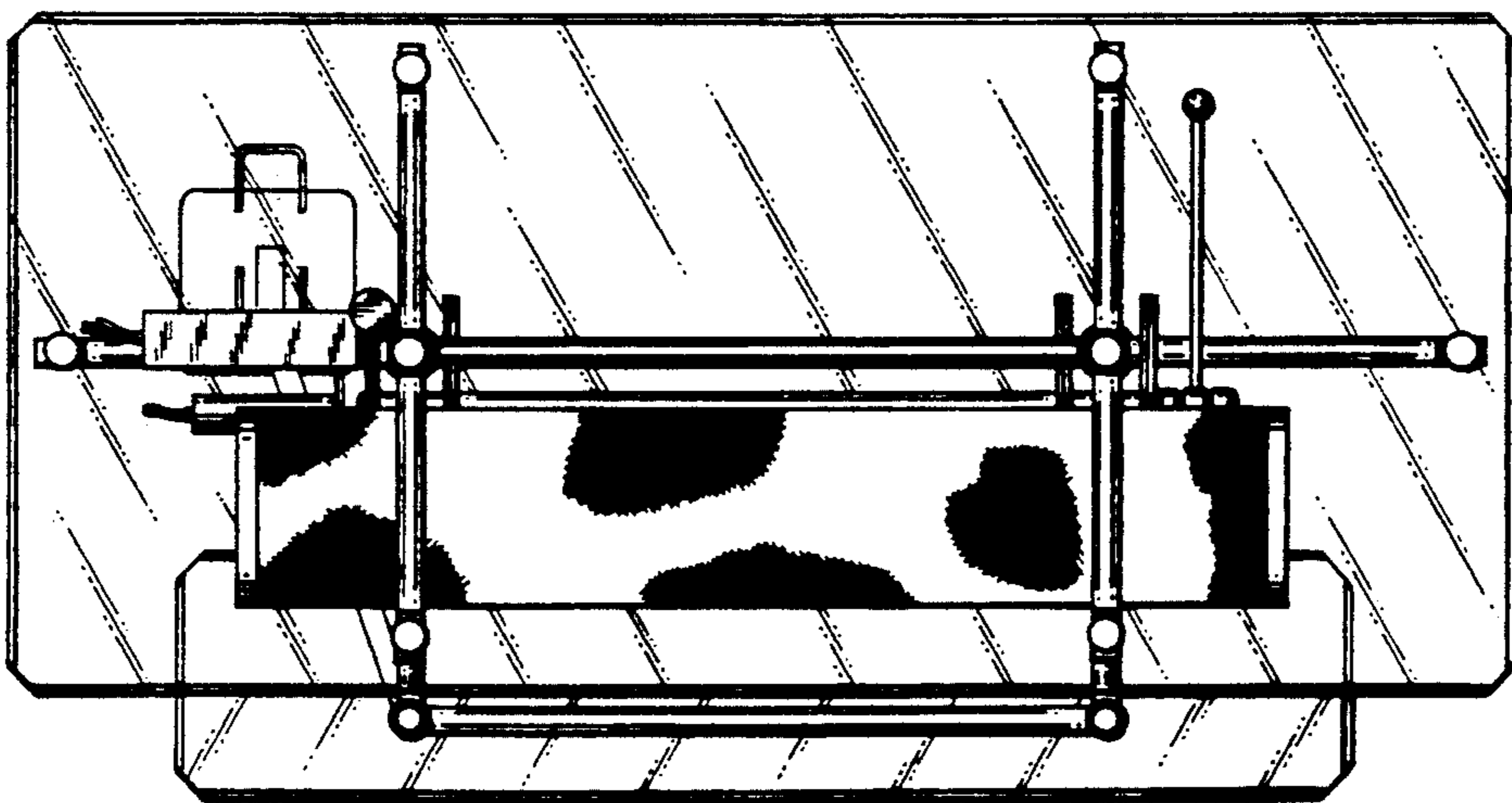
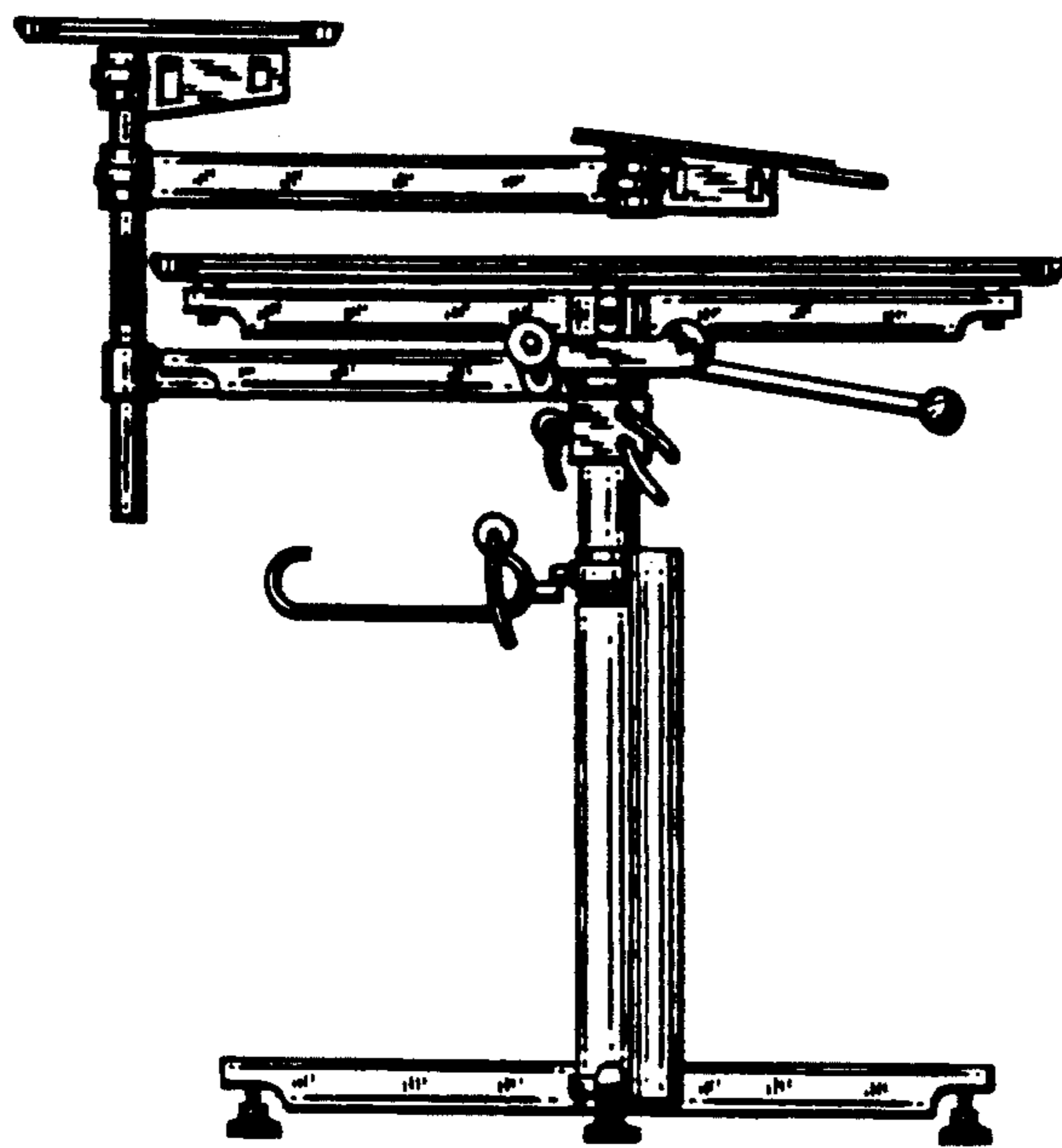
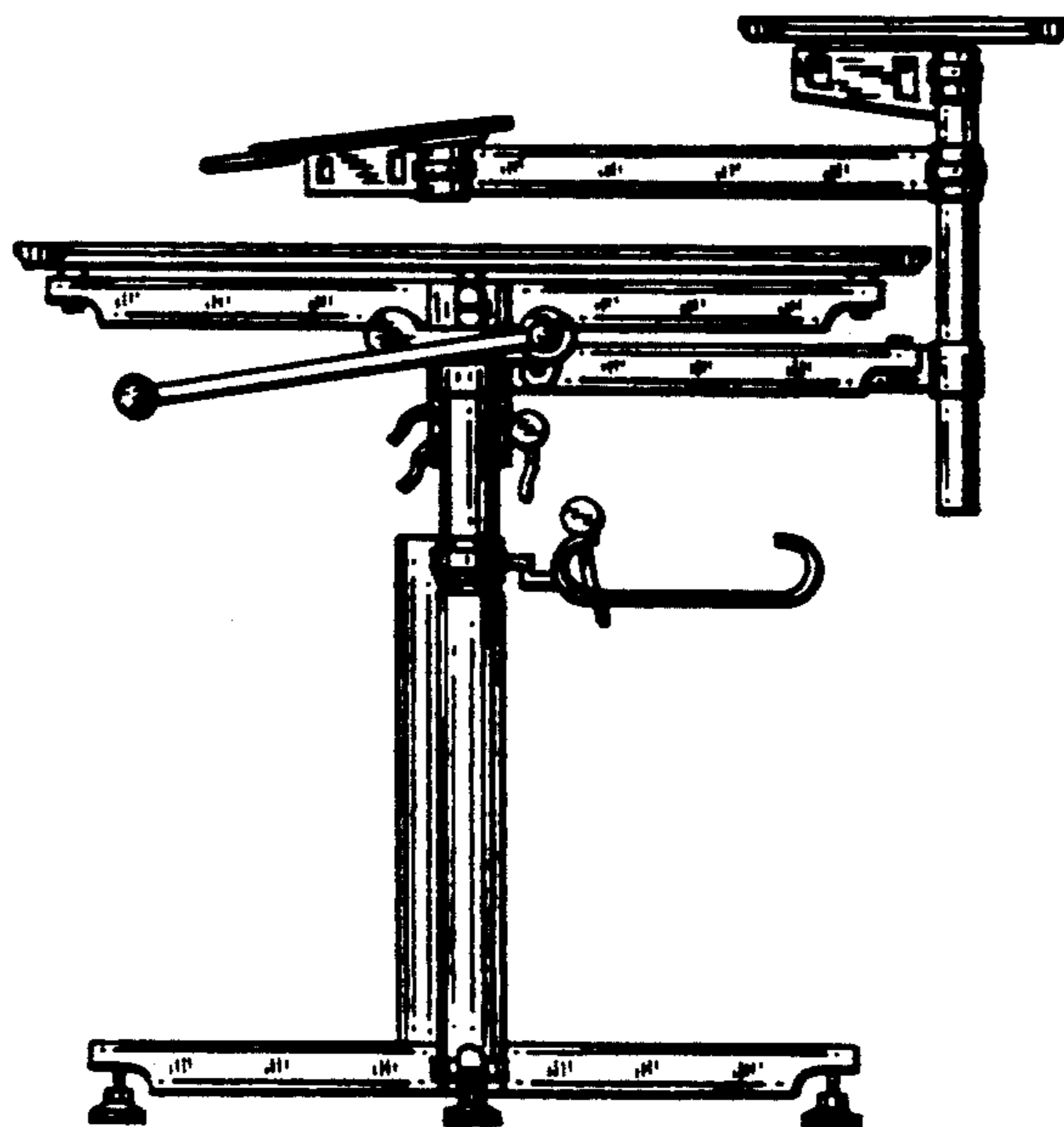


FIG. 5



*FIG. 6*



*FIG. 7*