



US00D339248S

**United States Patent** [19]  
**Johnson**

[11] **Patent Number: Des. 339,248**  
[45] **Date of Patent: \*\* Sep. 14, 1993**

[54] **BEDFRAME**

[76] **Inventor: Oris Johnson, 4244 Foote St., NE, Washington, D.C. 20019**

[\*\*] **Term: 14 Years**

[21] **Appl. No.: 806,470**

[22] **Filed: Dec. 13, 1991**

[52] **U.S. Cl. .... D6/393; D6/382**

[58] **Field of Search .... D6/382-384, D6/388, 393-395, 505-507; 5/53.1, 907, 400**

[56] **References Cited**

**U.S. PATENT DOCUMENTS**

- D. 273,260 4/1984 Kemp, III et al. .... D6/384 X
- D. 281,474 11/1985 Noorkens ..... D6/394 X
- D. 295,121 4/1988 Foster ..... D6/395
- 4,364,134 12/1982 Marks ..... 5/280 X

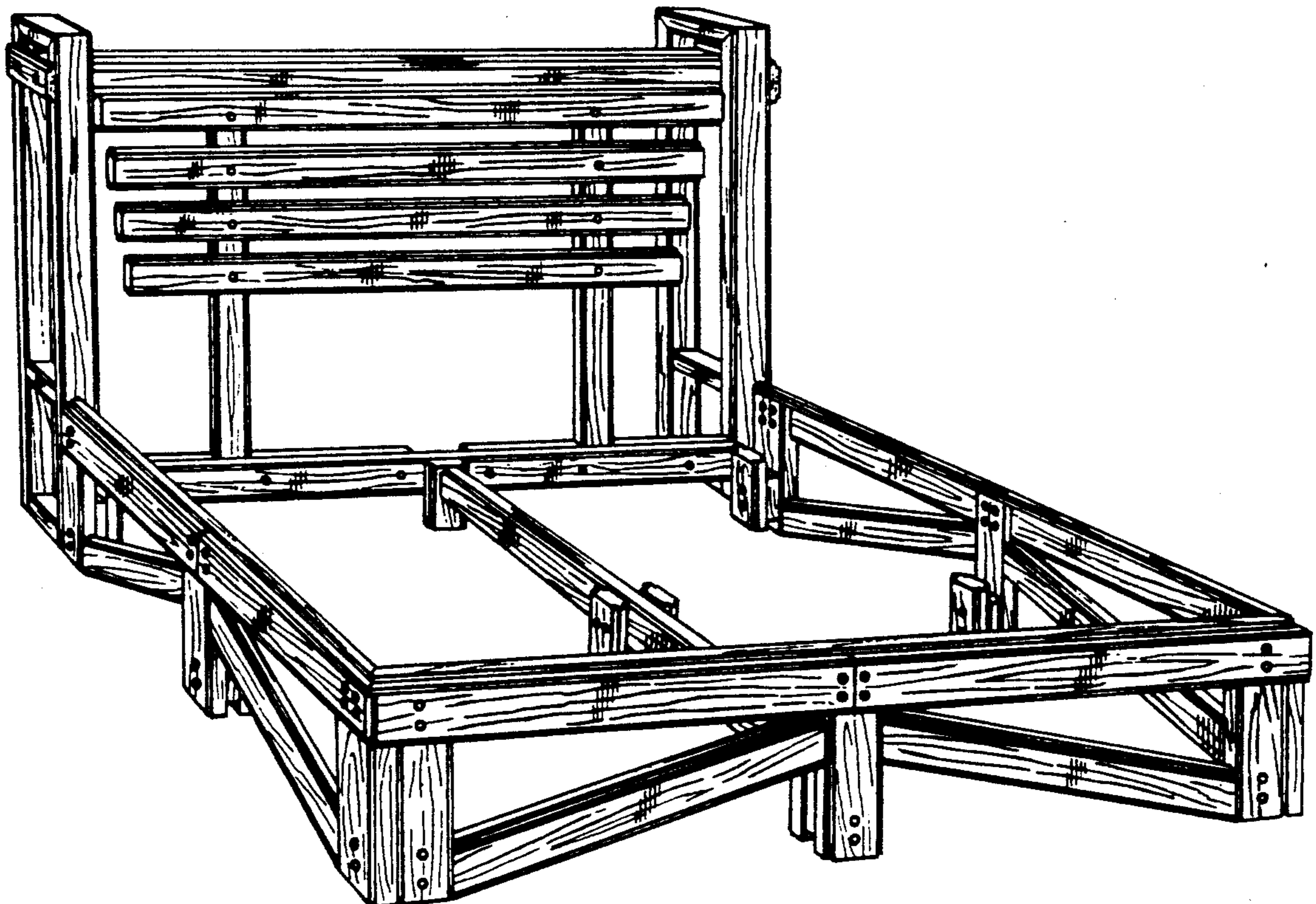
*Primary Examiner*—Nelson C. Holtje  
*Assistant Examiner*—J. E. Seeger  
*Attorney, Agent, or Firm*—Jacobson, Price, Holman & Stern

[57] **CLAIM**

The ornamental design for a bedframe, as shown and described.

**DESCRIPTION**

FIG. 1 is a perspective view of a bedframe showing my new design;  
FIG. 2 is a top plan view thereof, the broken lines are for environmental purposes only and form no part of the claimed design;  
FIG. 3 is a side elevational view thereof, the opposite being a mirror image thereto;  
FIG. 4 is a footboard end elevational view thereof; and,  
FIG. 5 is a headboard end elevational view thereof.



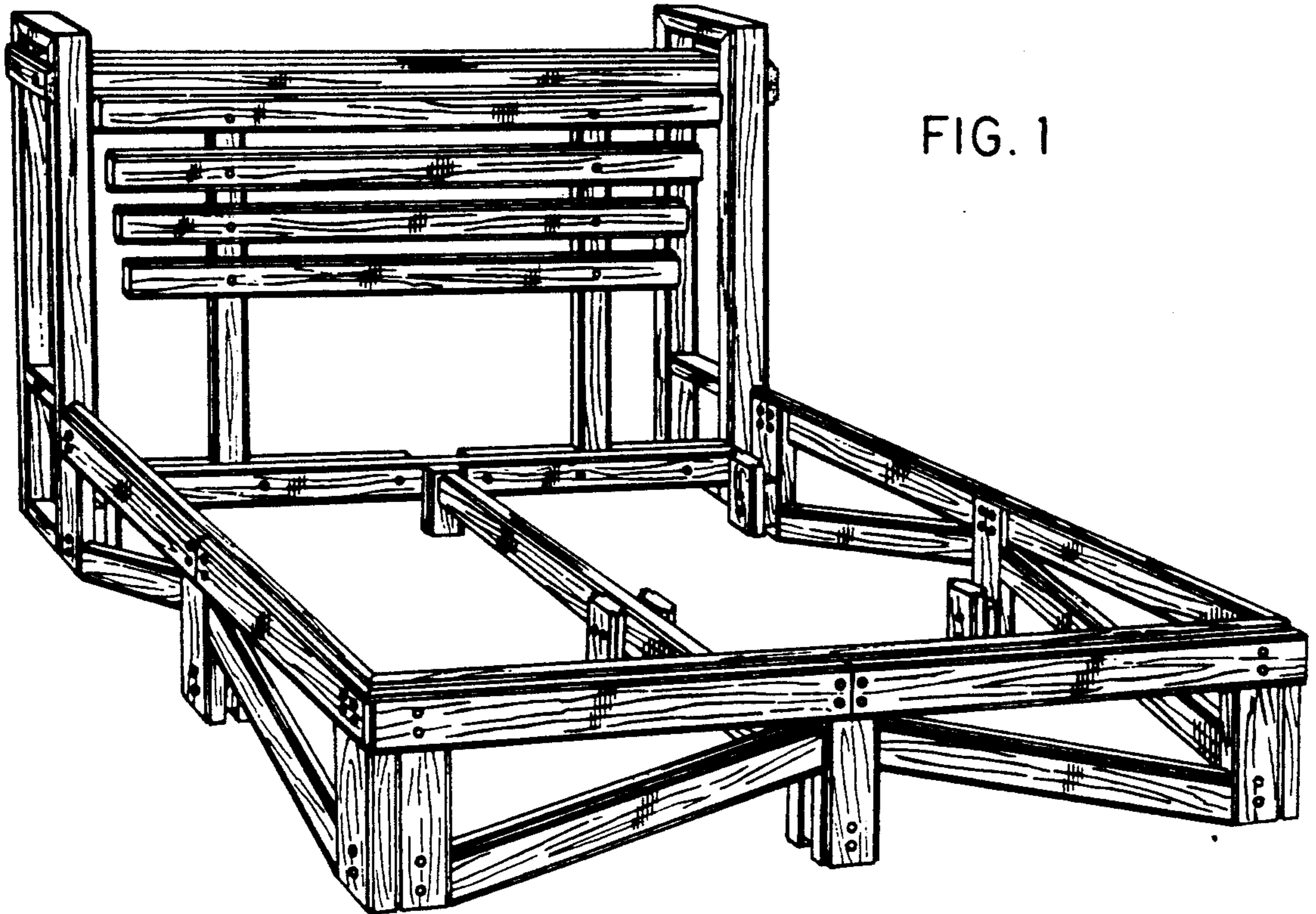


FIG. 1

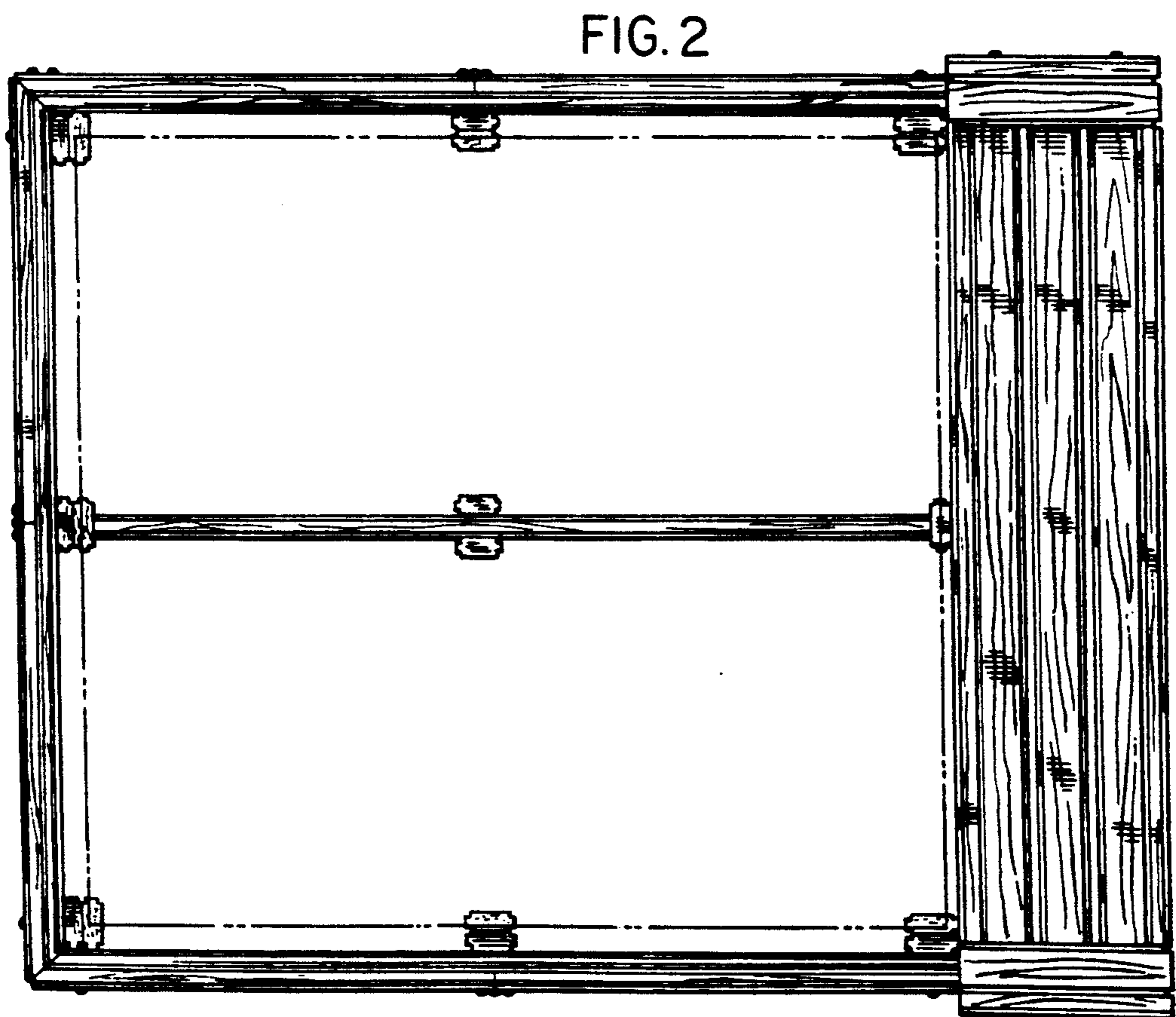


FIG. 2

FIG. 3

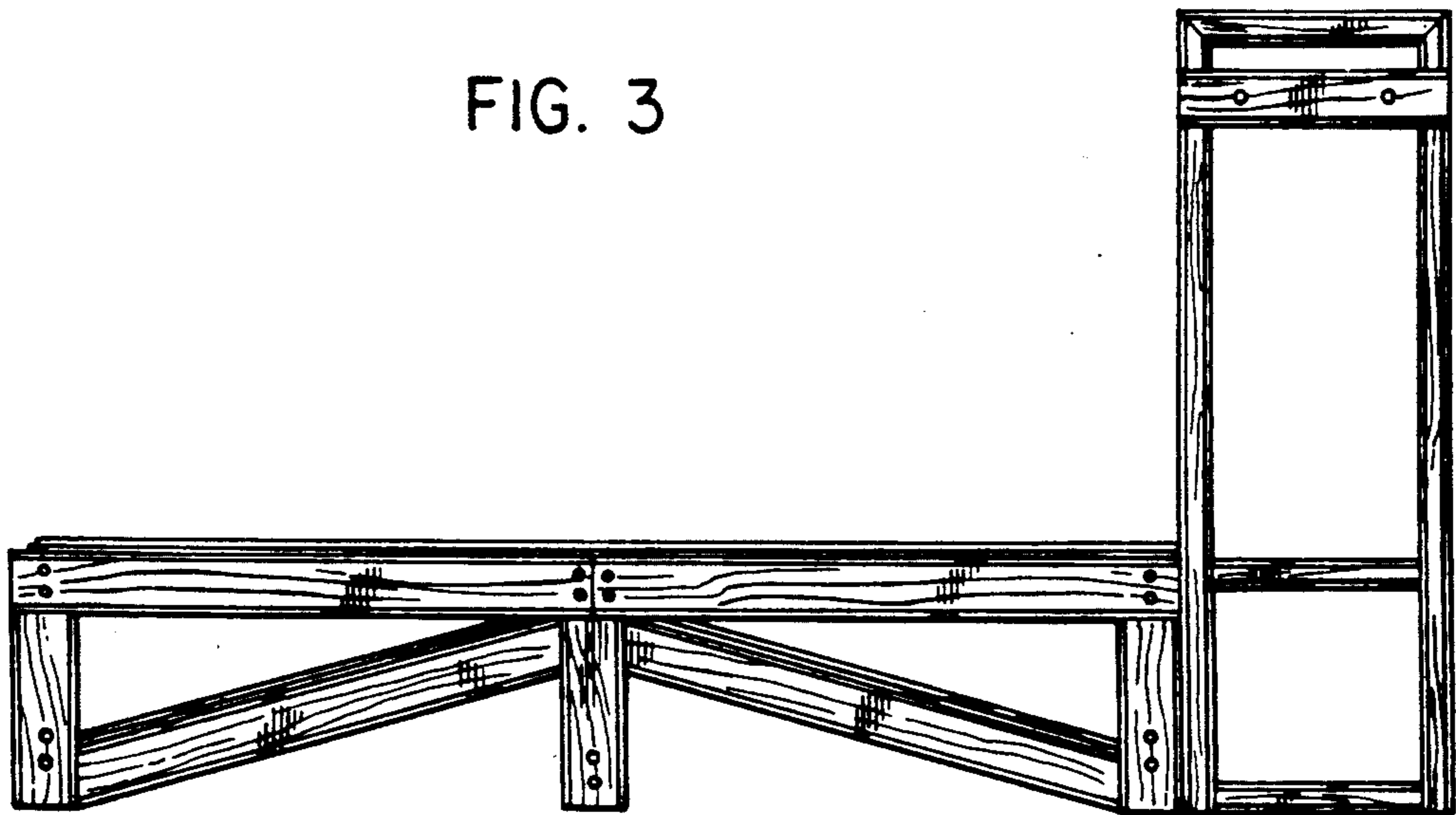


FIG. 4

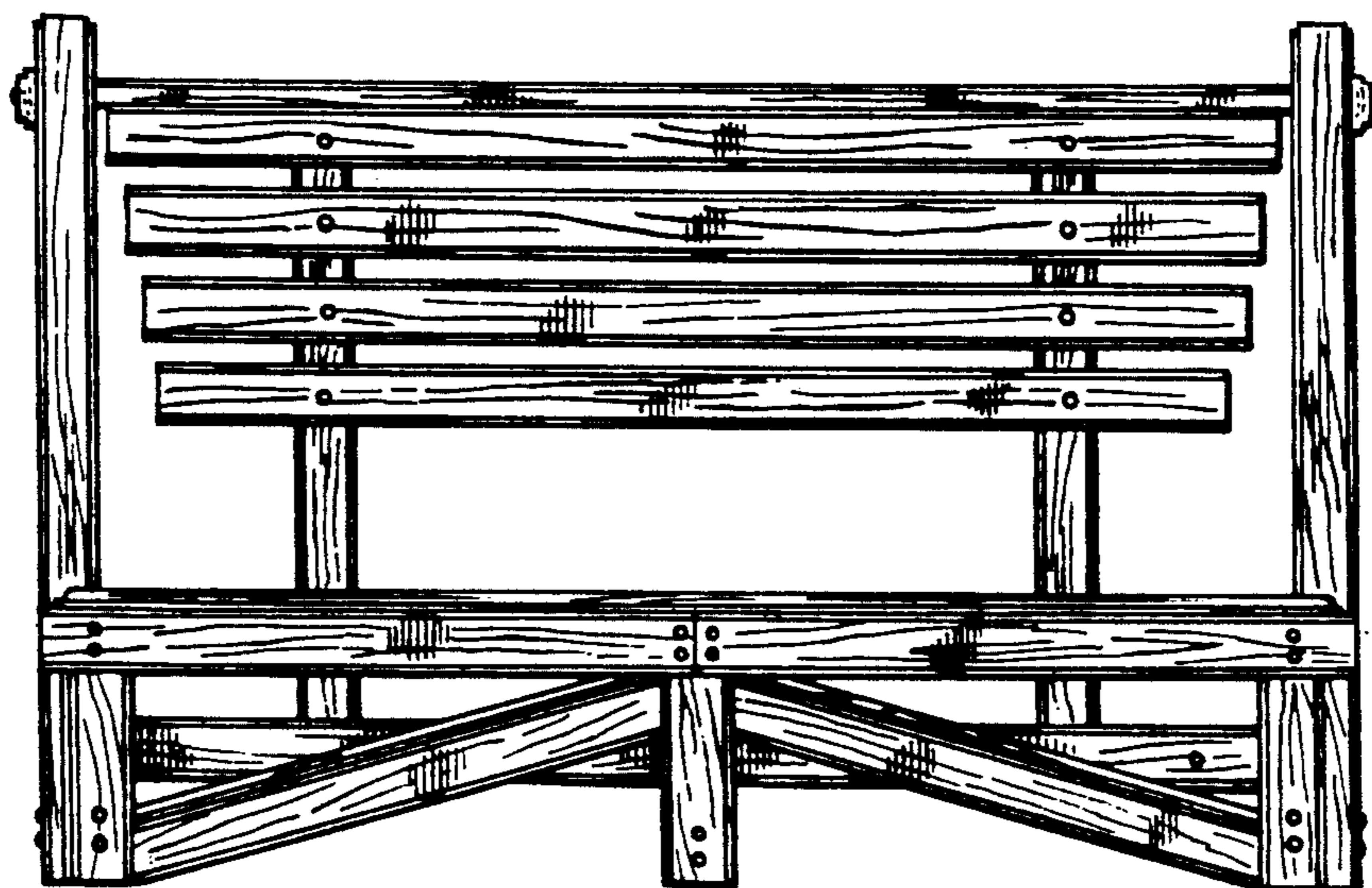


FIG. 5

