



US00D339241S

United States Patent [19] Gray

[11] Patent Number: **Des. 339,241**

[45] Date of Patent: **** Sep. 14, 1993**

[54] **STAND FOR ELECTRONIC EQUIPMENT**

[76] Inventor: **Michael L. Gray**, 3365 Crocker La., Albany, Oreg. 97321

[**] Term: **14 Years**

[21] Appl. No.: **468,793**

[22] Filed: **Jan. 22, 1990**

[52] U.S. Cl. **D6/311; D6/312; D6/419; D6/420; D6/466; D19/88**

[58] Field of Search **D6/406, 310, 419, 420, D6/338, 473, 466; 108/43; 248/441.1, 452, 454; D19/88, 91**

1,563,508 12/1925 Maynard 248/452 X
 4,073,460 2/1978 Dale 248/441.1 X
 4,726,556 2/1988 Weir 248/454

FOREIGN PATENT DOCUMENTS

1086294 10/1967 United Kingdom 248/452

Primary Examiner—Nelson C. Holtje
Assistant Examiner—J. E. Seeger

[57] CLAIM

The ornamental design for a stand for electronic equipment, as shown and described.

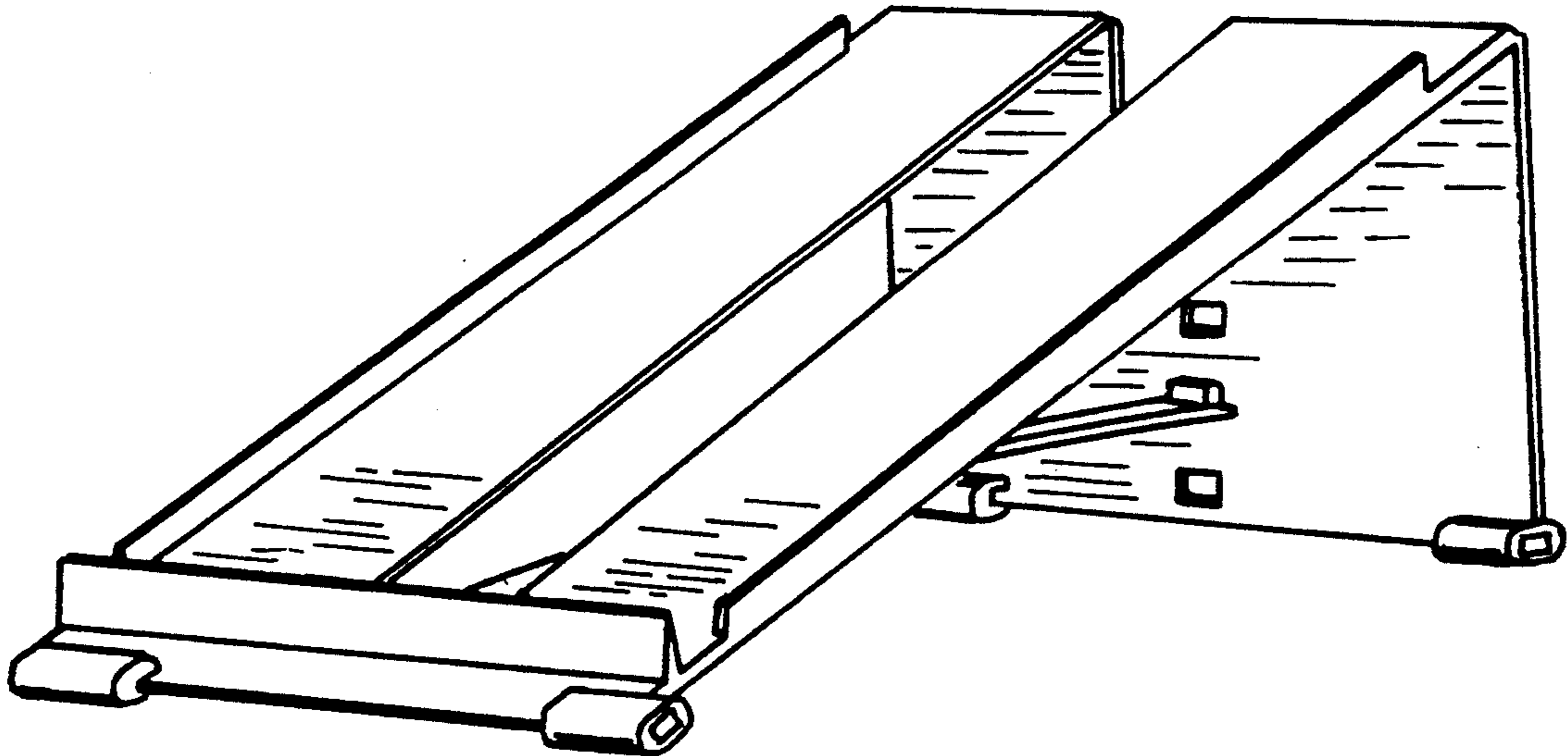
DESCRIPTION

FIG. 1 is a perspective view of a stand for electronic equipment, showing my new design;
 FIG. 2 is a side elevational view, the opposite side being a mirror image thereof;
 FIG. 3 is a top plan view; and,
 FIG. 4 is a rear elevational view thereof.

[56] **References Cited**

U.S. PATENT DOCUMENTS

D. 141,410	5/1945	Myers	D19/91
581,225	4/1897	Glover	248/452
978,390	12/1910	Morrison	248/452
1,046,100	12/1912	Miller	248/452



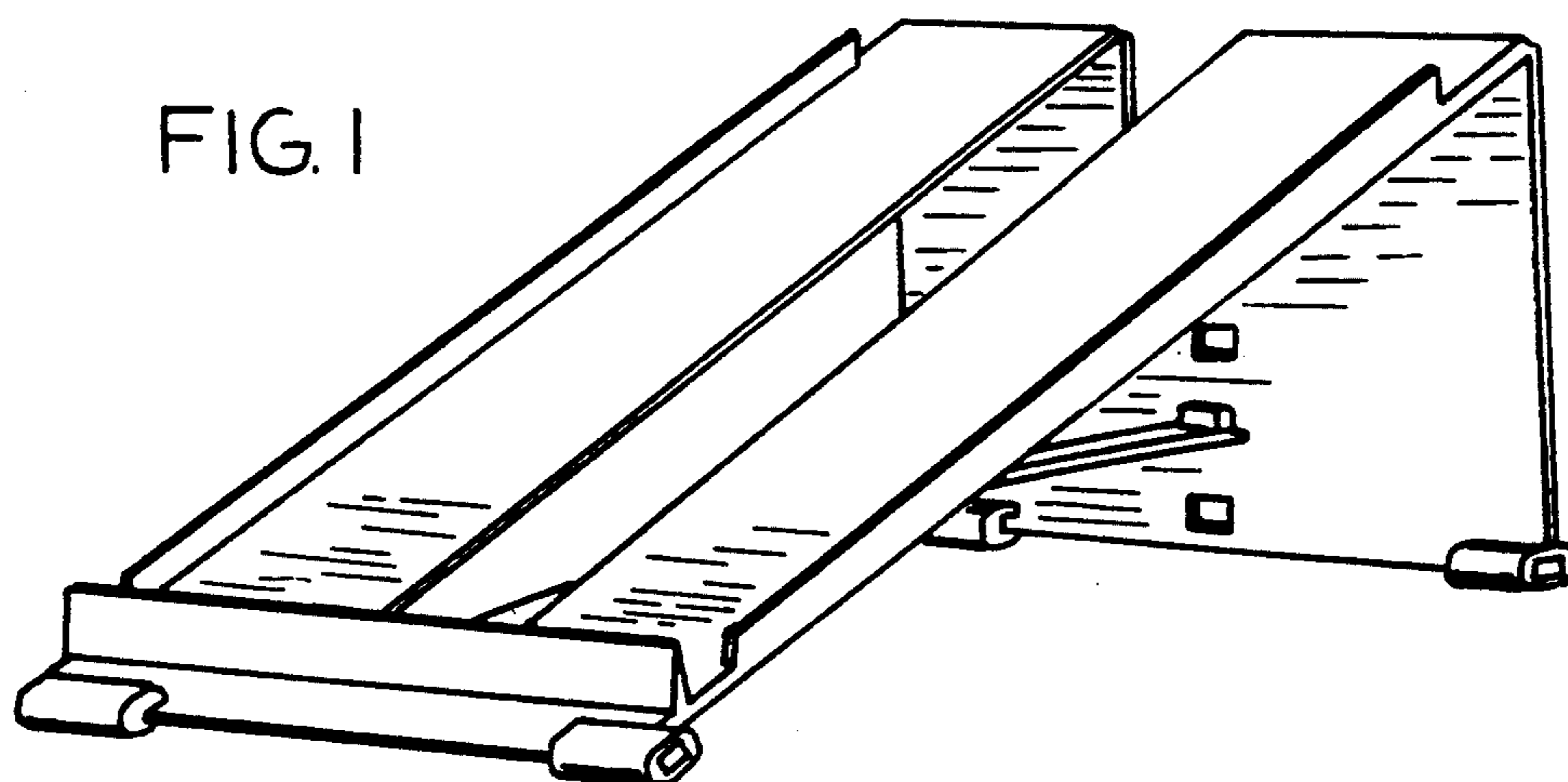


FIG. 2

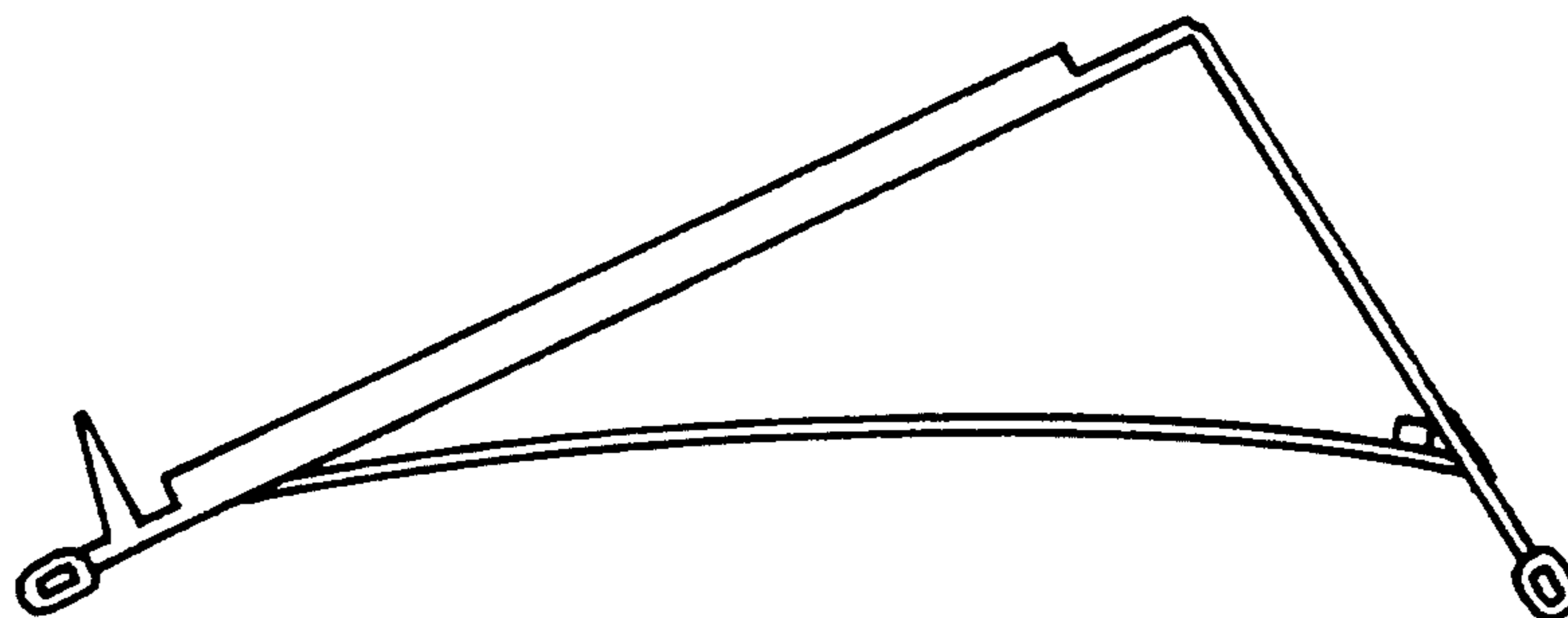


FIG. 3

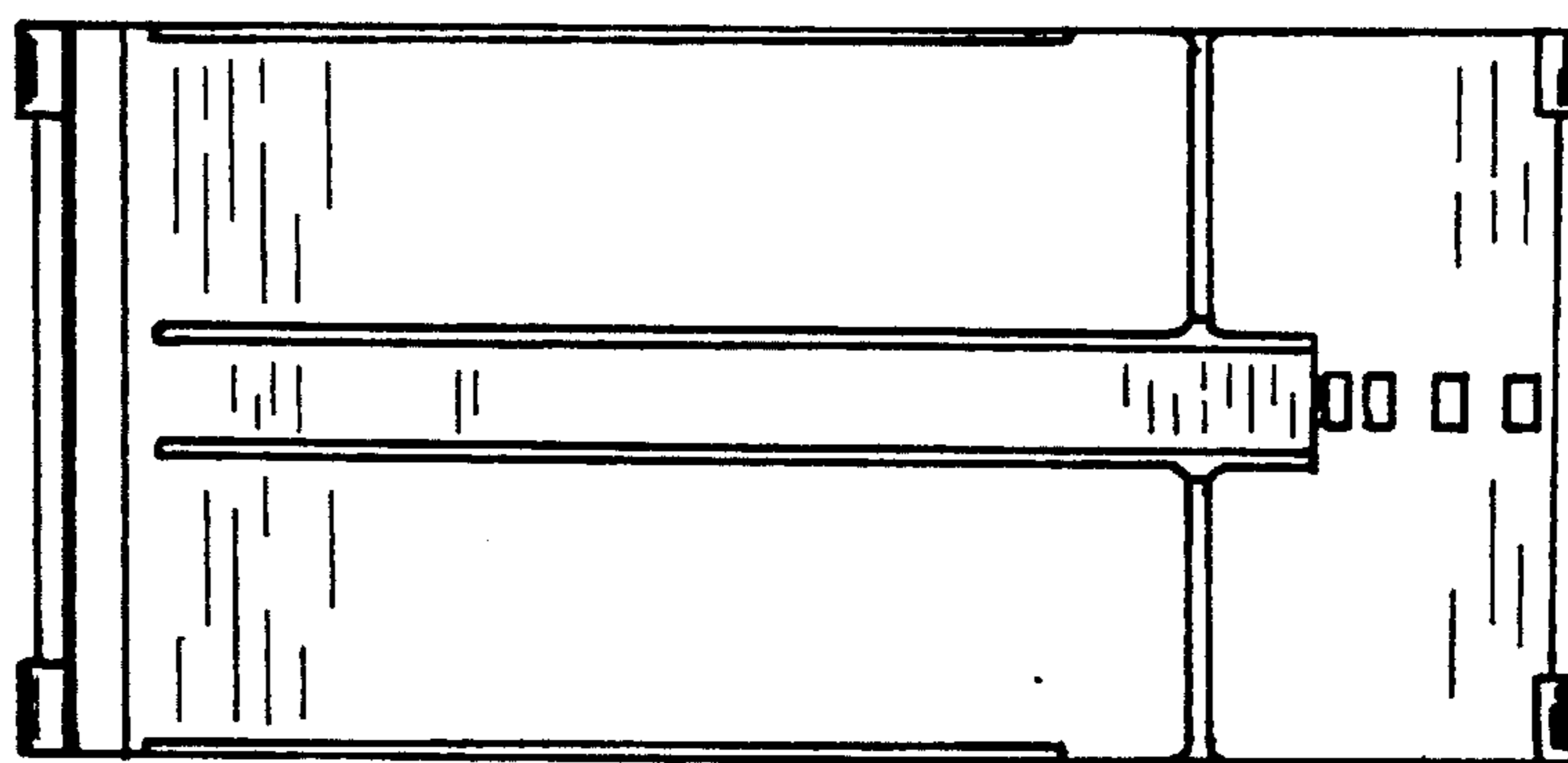


FIG. 4

