



US00D339230S

United States Patent [19]

Thompson

[11] Patent Number: **Des. 339,230**

[45] Date of Patent: **** Sep. 14, 1993**

[54] **SOLAR POWERED KEY CHAIN DISPLAY**

4,847,606 7/1989 Beiswenger 340/765
4,948,232 8/1990 Lange 340/765

[76] Inventor: **James E. Thompson**, 843 Hamilton St., Somerset, N.J. 08873

FOREIGN PATENT DOCUMENTS

[**] Term: **14 Years**

2121584 6/1982 United Kingdom .
2125588 6/1983 United Kingdom .

[21] Appl. No.: **700,924**

Primary Examiner—A. Hugo Word
Assistant Examiner—R. Seifert
Attorney, Agent, or Firm—Terry M. Gernstein

[22] Filed: **May 16, 1991**

[52] U.S. Cl. **D3/62; D20/22**

[58] Field of Search **D11/1-2, D11/79, 95-100, 116; 63/1.1, 2, 20, 18, 19; D20/11, 22; 40/1.5; 340/765; D3/61-65**

[57] CLAIM

The ornamental design for a solar powered key chain display, as shown and described.

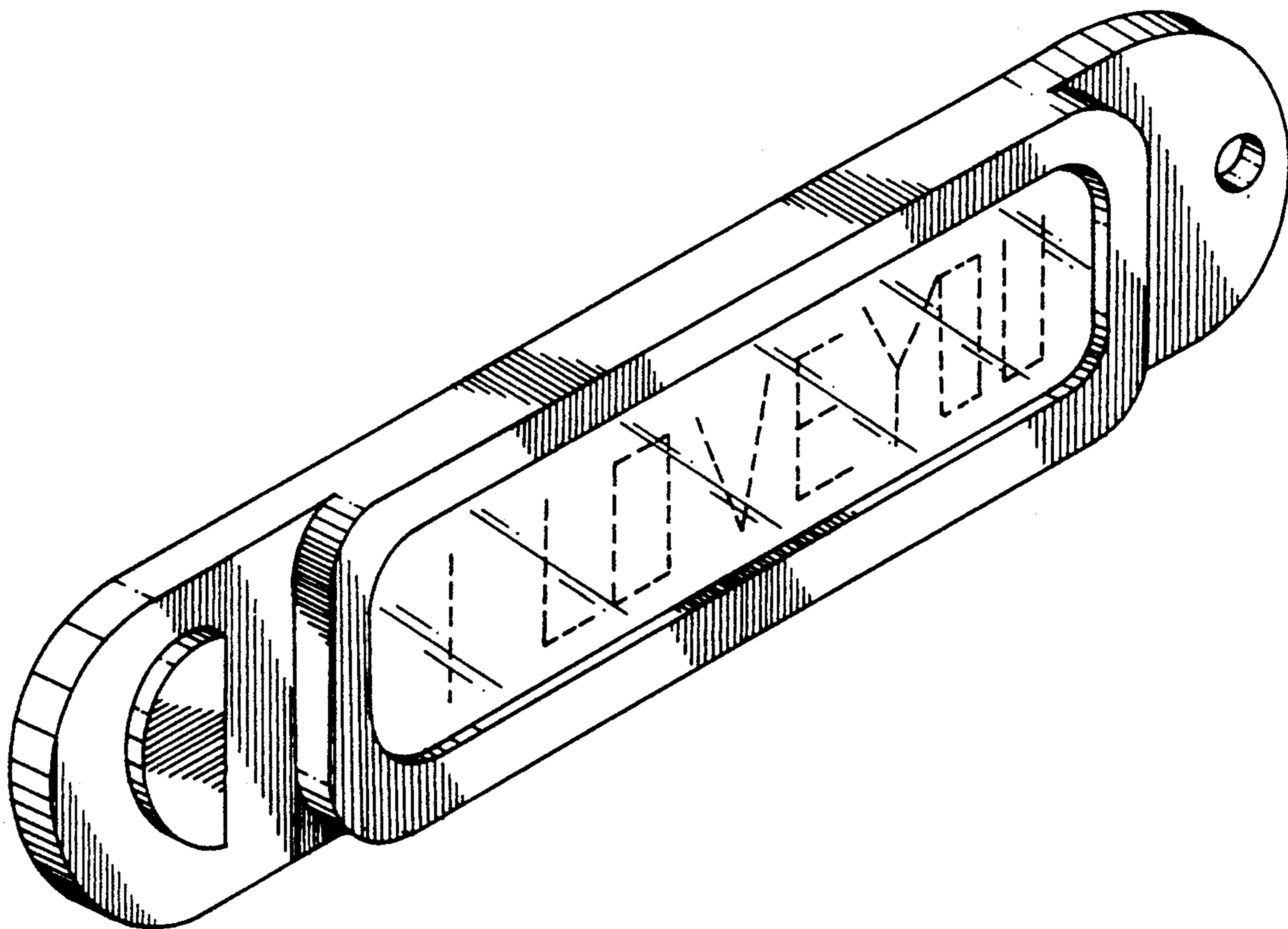
[56] References Cited

U.S. PATENT DOCUMENTS

D. 139,767	12/1944	Davidson	D20/22
D. 327,507	6/1992	Wahl	D20/22
D. 332,803	1/1993	Forslund	D20/22
964,228	7/1910	Fowler	D3/62
2,297,285	9/1942	Bledsoe	D3/62
4,581,271	4/1986	Gordon	63/2
4,839,636	6/1989	Zeiss	340/765

DESCRIPTION

FIG. 1 is a perspective view of a solar powered key chain display showing my new design;
FIG. 2 is a front elevational view thereof;
FIG. 3 is a rear elevational view thereof;
FIG. 4 is a side elevational view thereof, the side opposite being a mirror image of the side shown in FIG. 4;
FIG. 5 is an end elevational view thereof; and,
FIG. 6 is an end elevational view thereof.



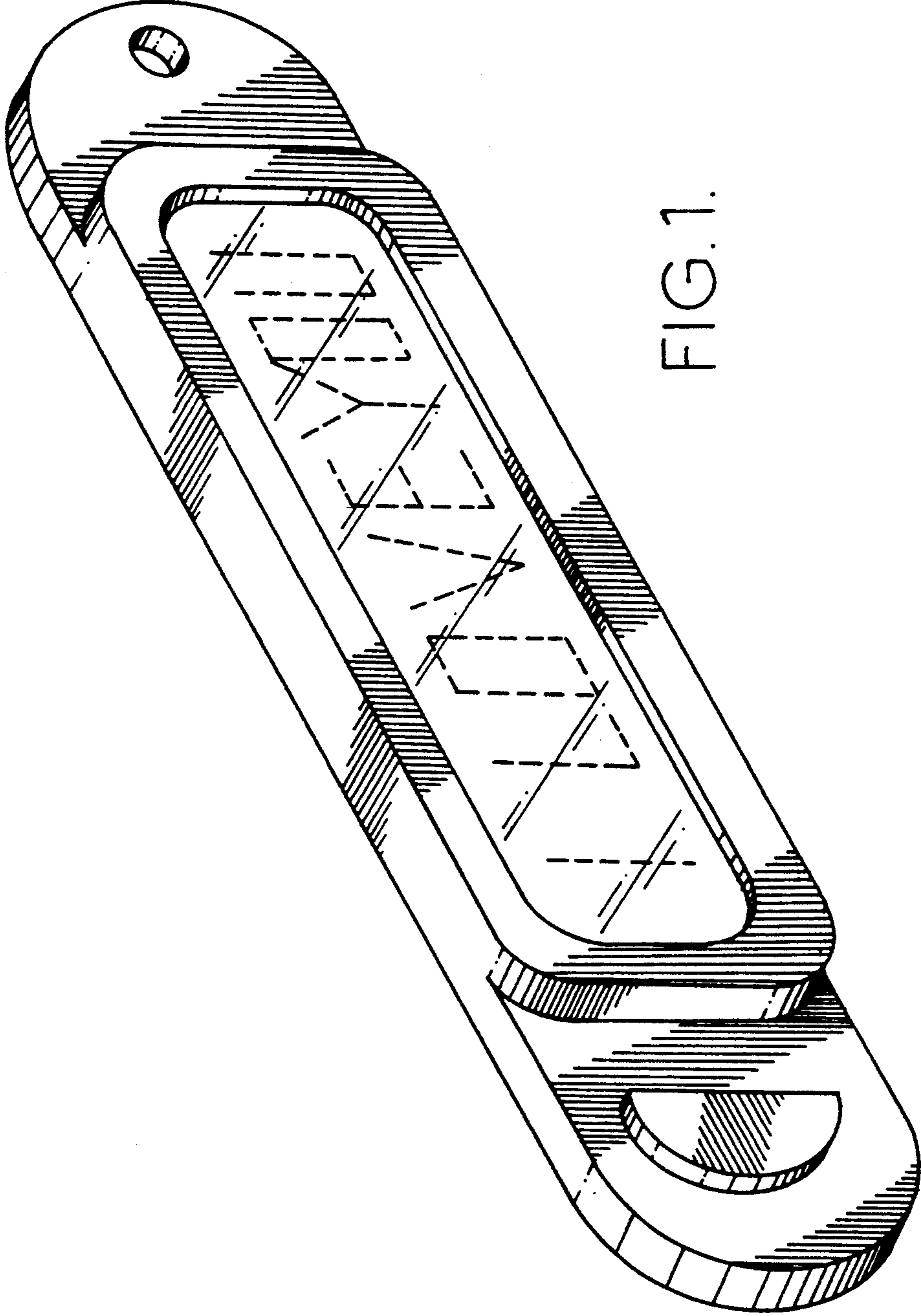


FIG. 1.

FIG. 2.

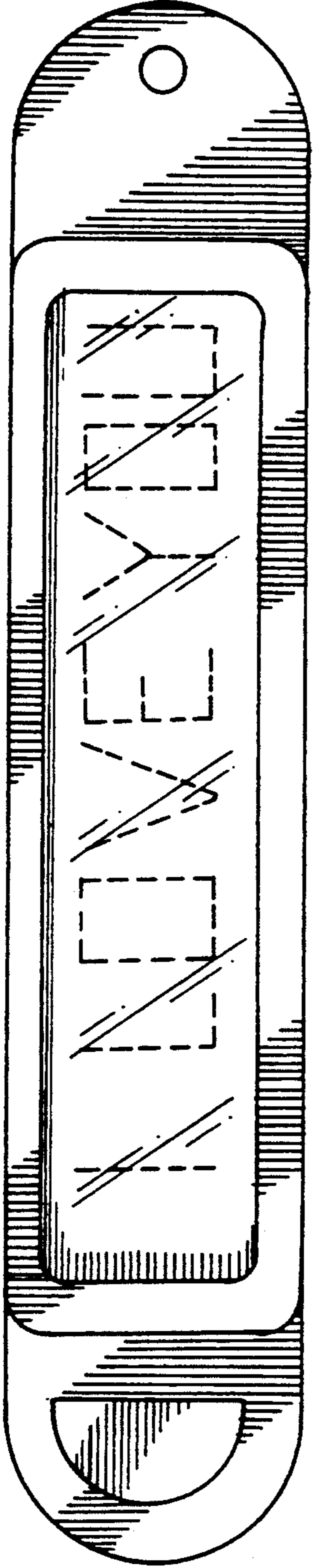


FIG. 4.

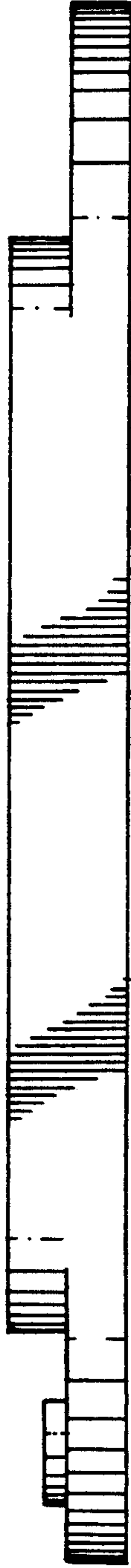


FIG. 3.

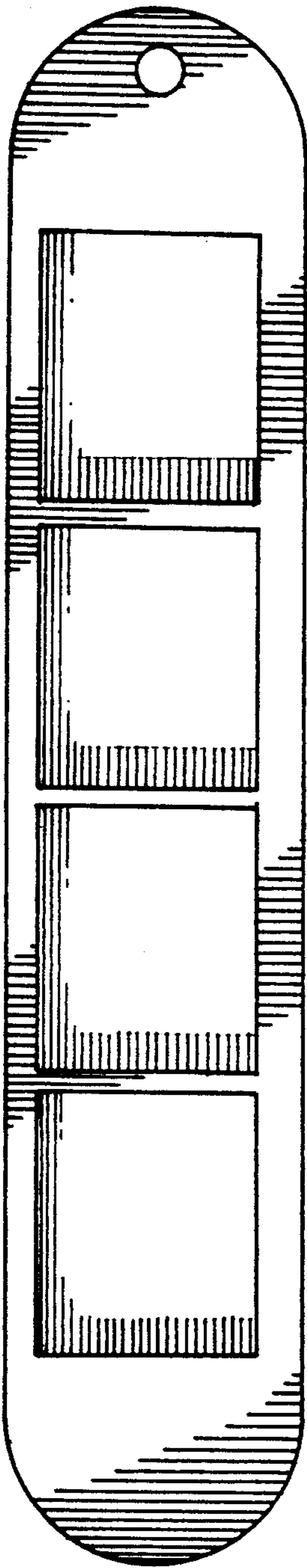


FIG. 5.

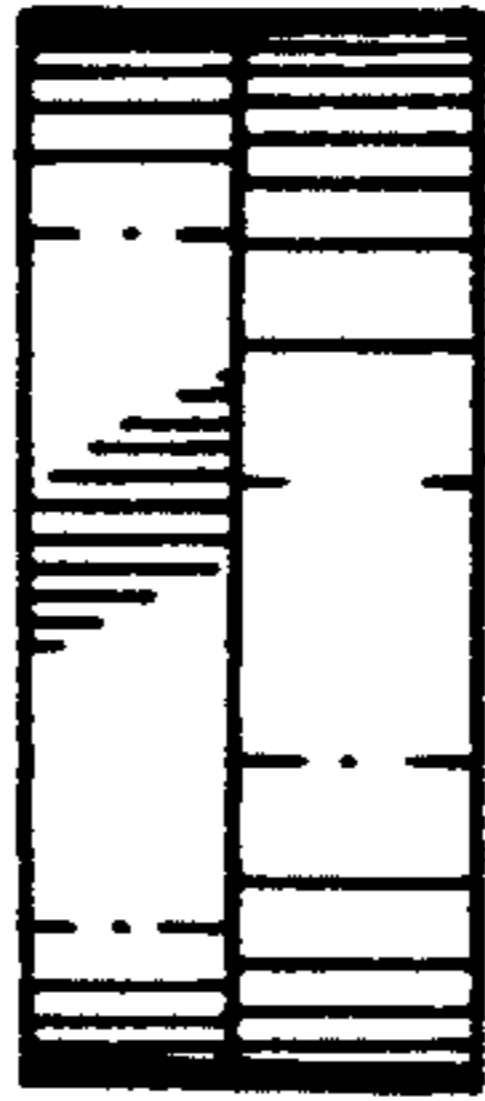


FIG. 6.