



US00D339213S

# United States Patent [19]

[11] Patent Number: **Des. 339,213**

Wahl et al.

[45] Date of Patent: **\*\* Sep. 7, 1993**

[54] **COVER PLATE FOR AN ELECTRIC HAIR CLIPPER**

[75] Inventors: **Gregory S. Wahl; Edward D. Brill,**  
both of Sterling, Ill.

[73] Assignee: **Wahl Clipper Corporation, Sterling,**  
Ill.

[\*\*] Term: **14 Years**

[21] Appl. No.: **642,728**

[22] Filed: **Jan. 17, 1991**

[52] U.S. Cl. .... **D28/54**

[58] Field of Search ..... **D28/52-54;**  
**30/200-208**

[56] **References Cited**

**U.S. PATENT DOCUMENTS**

D. 110,823	8/1938	Schumann .....	D28/49
D. 182,861	5/1958	Wahl .....	D28/53
D. 192,424	3/1962	Myers et al. ....	D28/53
D. 209,128	10/1967	Fox .....	D28/53
D. 779,584	1/1957	Wahl et al. ....	D28/53
1,993,939	3/1935	McDaniel .....	30/200
2,748,472	6/1956	Sheley et al. ....	30/41.5 X
2,789,347	4/1957	Wahl et al. ....	D28/53 X
3,589,007	6/1971	Walton .....	30/210

**OTHER PUBLICATIONS**

Aldens Spring/Summer 1960 Cat. p. 454—clipper on lower right.

Evans 1984/85 Cat. p. 223, bottom of page; items 16 and 19.

Evans 1987/88 Cat. p. 28, bottom of page; item TM 10, 12 and 13.

*Primary Examiner*—Bernard Ansher

*Assistant Examiner*—C. Tuttle

*Attorney, Agent, or Firm*—Welsh & Katz, Ltd.

[57] **CLAIM**

The ornamental design for a cover plate for an electric hair clipper, as shown and described.

**DESCRIPTION**

FIG. 1 is a front view of a cover plate for an electric hair clipper showing our new design in its intended environment;

FIG. 2 is a left side view thereof;

FIG. 3 is a right side view thereof;

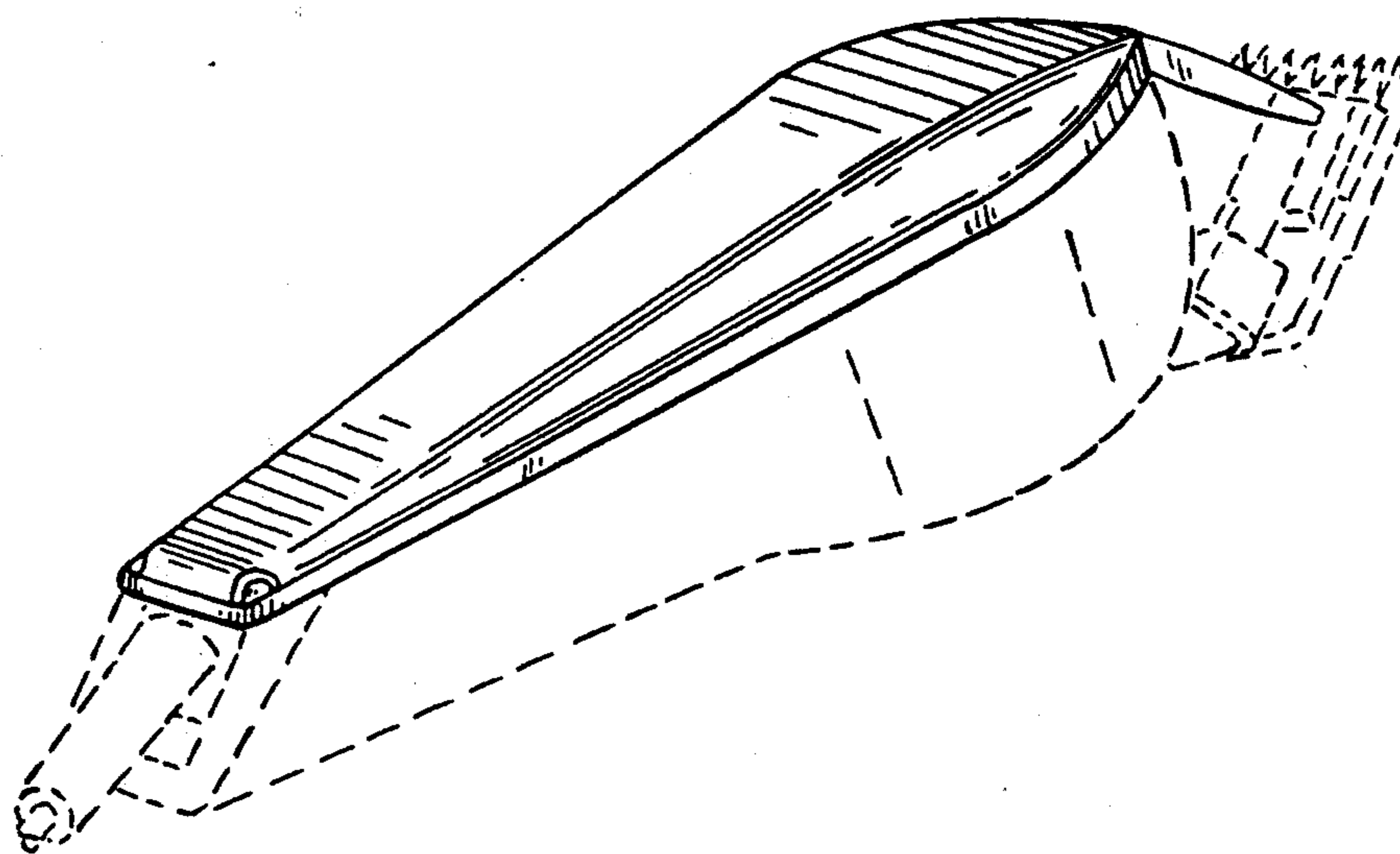
FIG. 4 is a top view thereof;

FIG. 5 is a bottom view thereof;

FIG. 6 is a rear view of the new design; and,

FIG. 7 is a perspective view of the design in its intended environment.

The broken line showing the hair clipper body is for illustrative purposes only and forms no part of the claimed design.



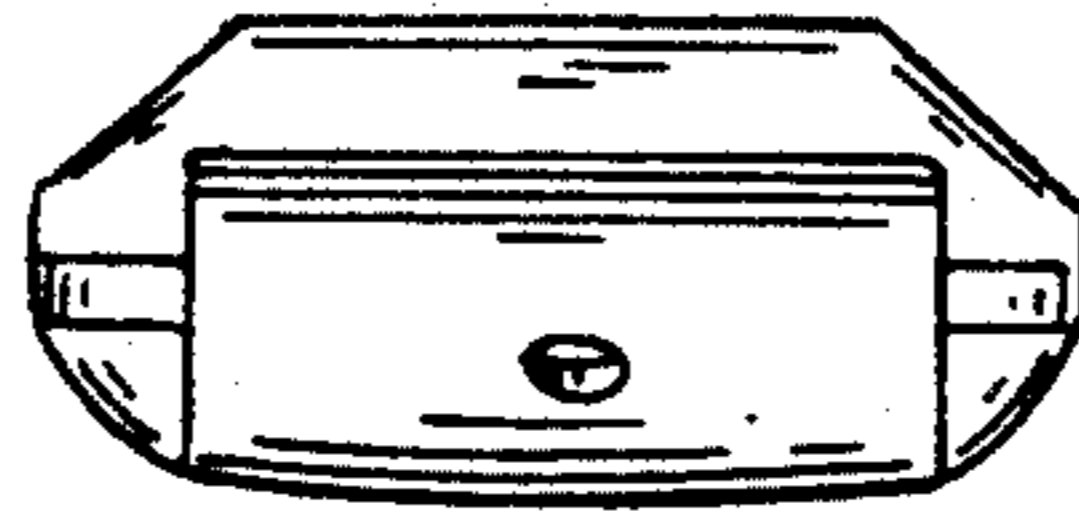


FIG. 4

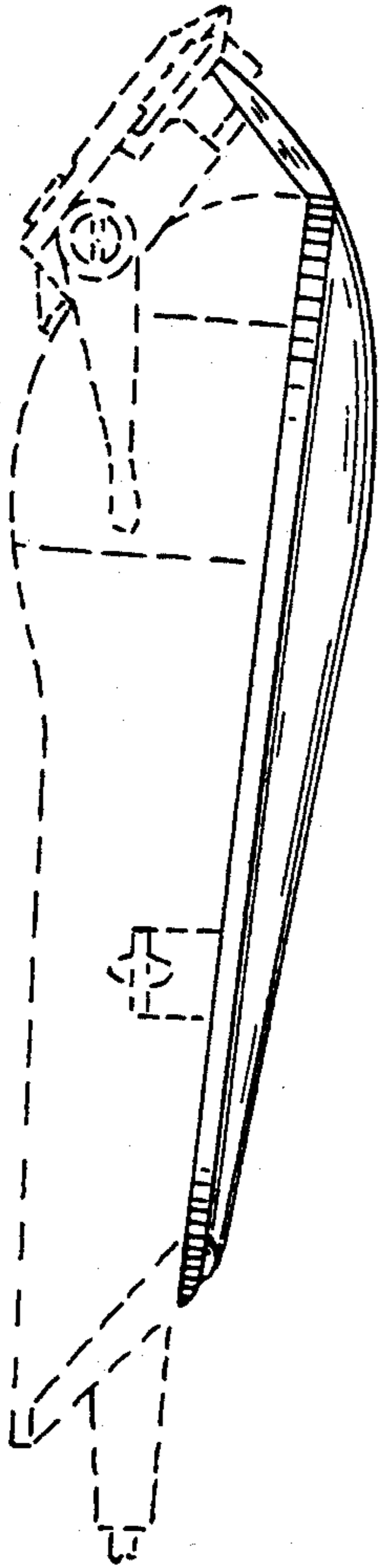


FIG. 2

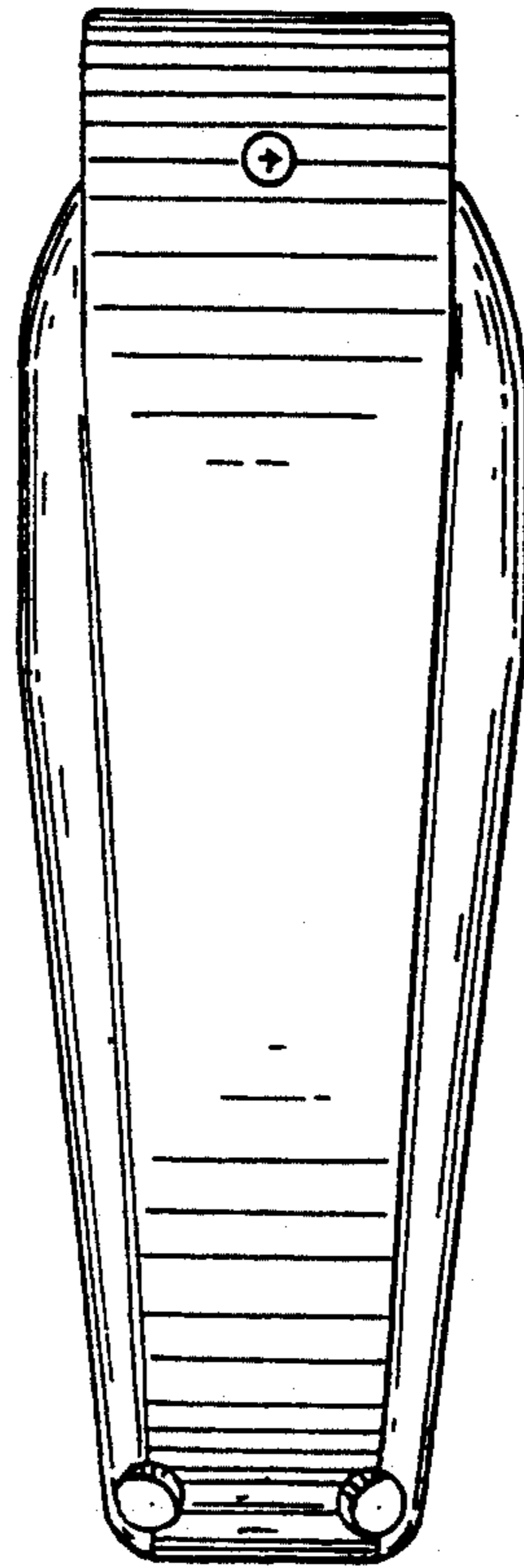


FIG. 1

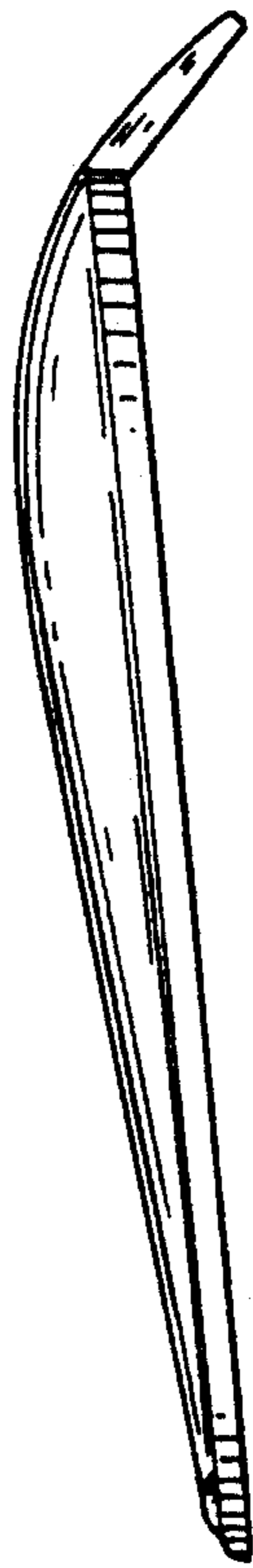


FIG. 3

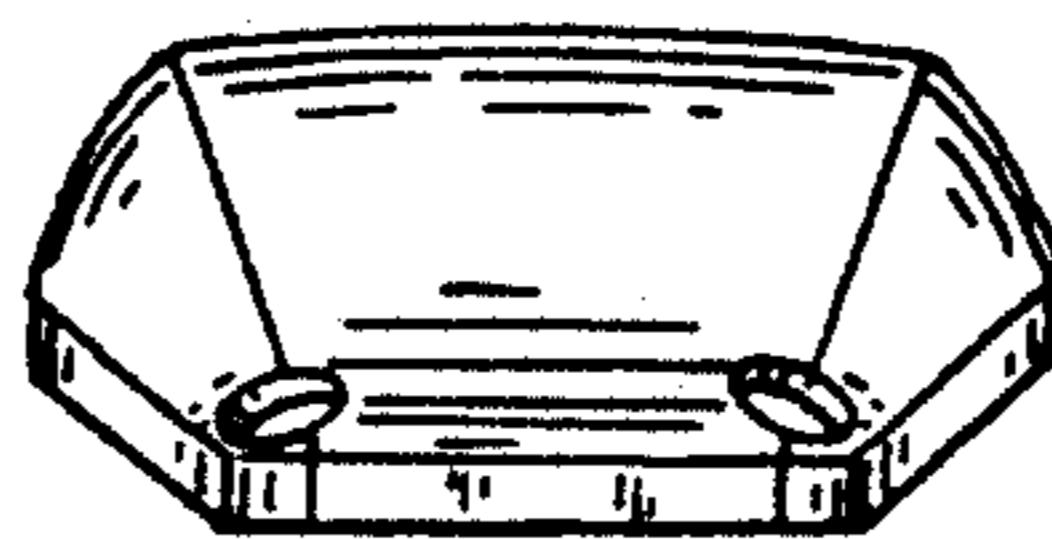


FIG. 5

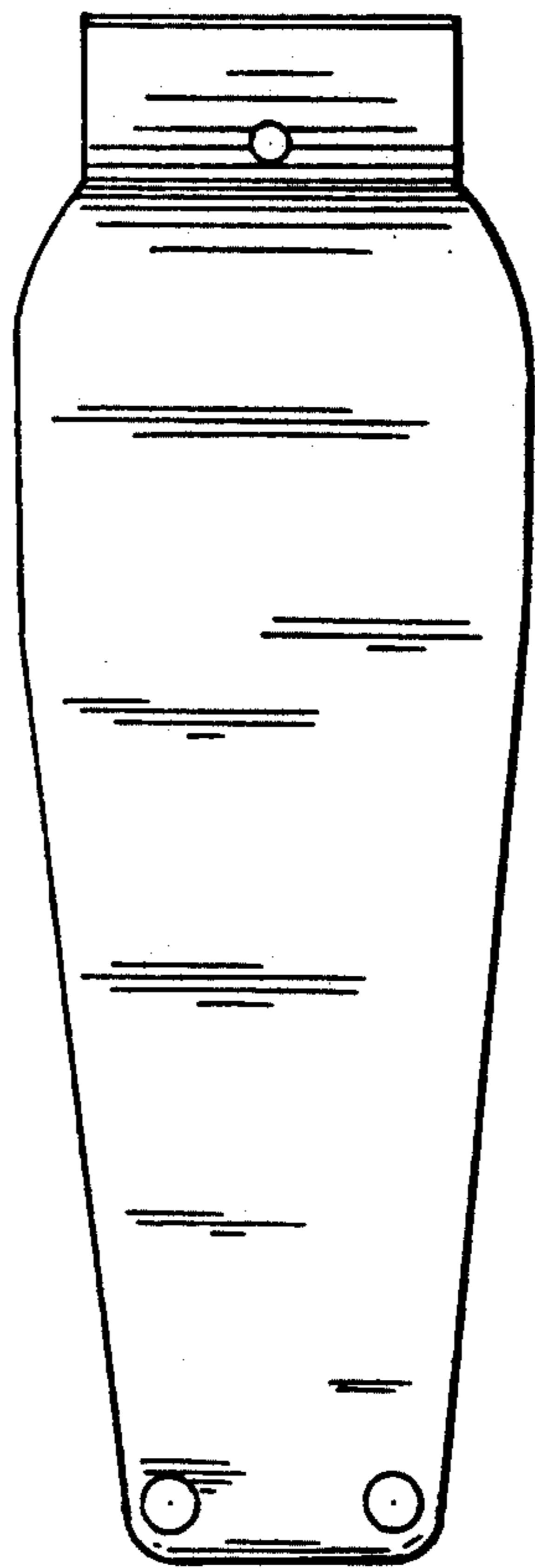


FIG. 6

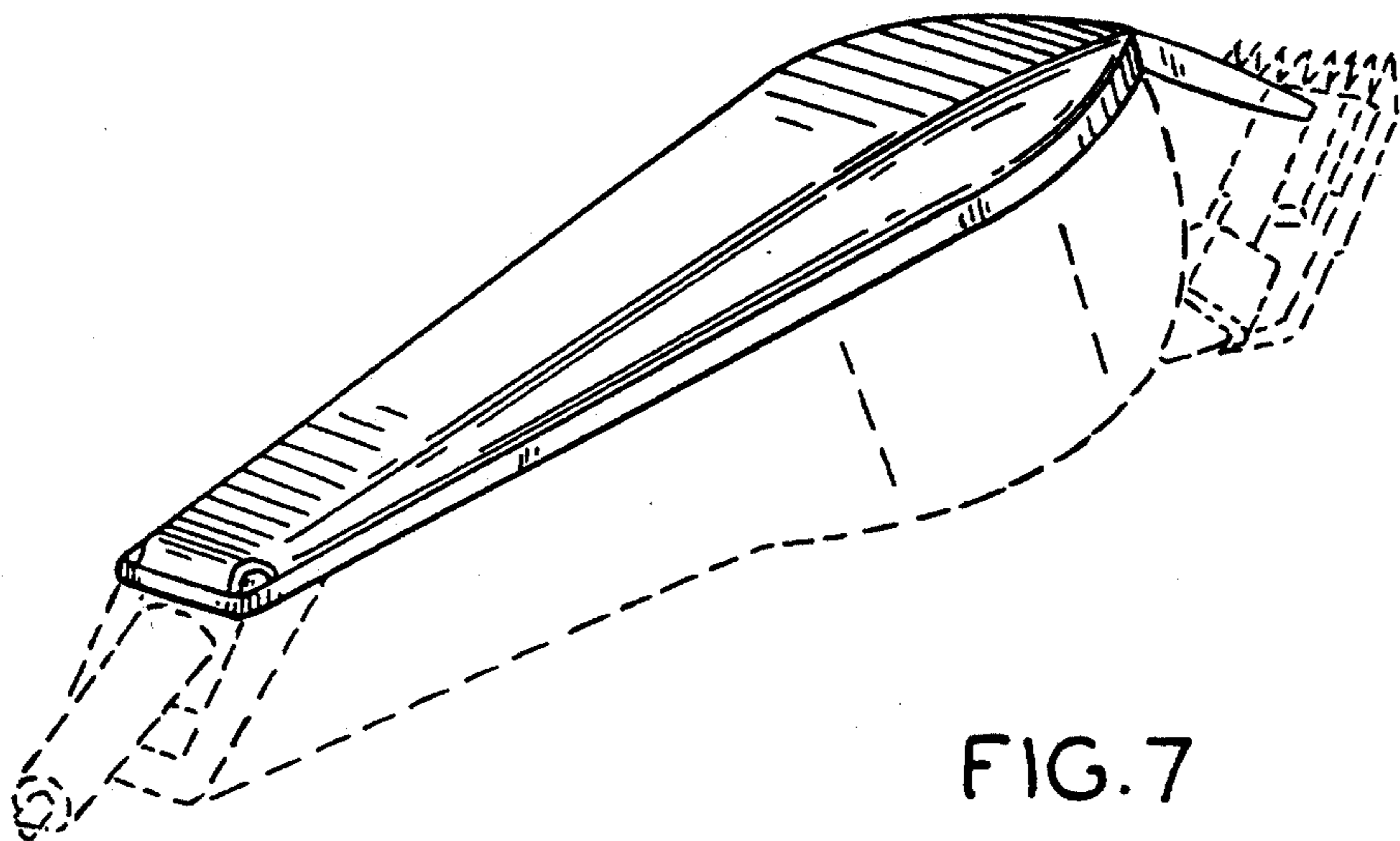


FIG. 7