



US00D339209S

United States Patent [19]

[11] Patent Number: **Des. 339,209**

Ichikawa

[45] Date of Patent: **** Sep. 7, 1993**

[54] **LIGHTER**

[75] Inventor: **Kaname Ichikawa, Tokyo, Japan**

[73] Assignee: **Royal International Corporation, Tokyo, Japan**

[*] Notice: **The portion of the term of this patent subsequent to Oct. 1, 2005 has been disclaimed.**

[**] Term: **14 Years**

[21] Appl. No.: **728,958**

[22] Filed: **Jul. 11, 1991**

[30] **Foreign Application Priority Data**

Mar. 26, 1991 [JP] Japan 3-8200

[52] U.S. Cl. **D27/157**

[58] Field of Search **D27/154-156, D27/159, 157; 431/128-142**

[56] **References Cited**

U.S. PATENT DOCUMENTS

- D. 208,424 8/1967 Hocq D27/154
- D. 217,384 4/1970 Rams D27/154
- D. 243,963 4/1977 Stephens, Jr. D27/156
- D. 249,812 10/1978 Goto D27/156
- D. 314,837 2/1991 Nitta D27/154

- D. 316,614 4/1991 Ichikawa D27/154
- D. 320,467 10/1991 Ichikawa D27/159

FOREIGN PATENT DOCUMENTS

- 223101 2/1963 Japan D27/155

OTHER PUBLICATIONS

Hong Kong Enterprise, Mar. 1985, p. 68, lighter, located in middle of page.

Primary Examiner—Wallace R. Burke

Assistant Examiner—H. Baynham

Attorney, Agent, or Firm—Oblon, Spivak, McClelland, Maier & Neustadt

[57] **CLAIM**

The ornamental design for a lighter, as shown and described.

DESCRIPTION

FIG. 1 is a front elevational view of a lighter, showing my new design;
 FIG. 2 is a rear elevational view thereof;
 FIG. 3 is a left side elevational view thereof;
 FIG. 4 is a right side elevational view thereof;
 FIG. 5 is a top plan view thereof;
 FIG. 6 is a bottom plan view thereof; and,
 FIG. 7 is a front and top perspective view thereof with a lid open.

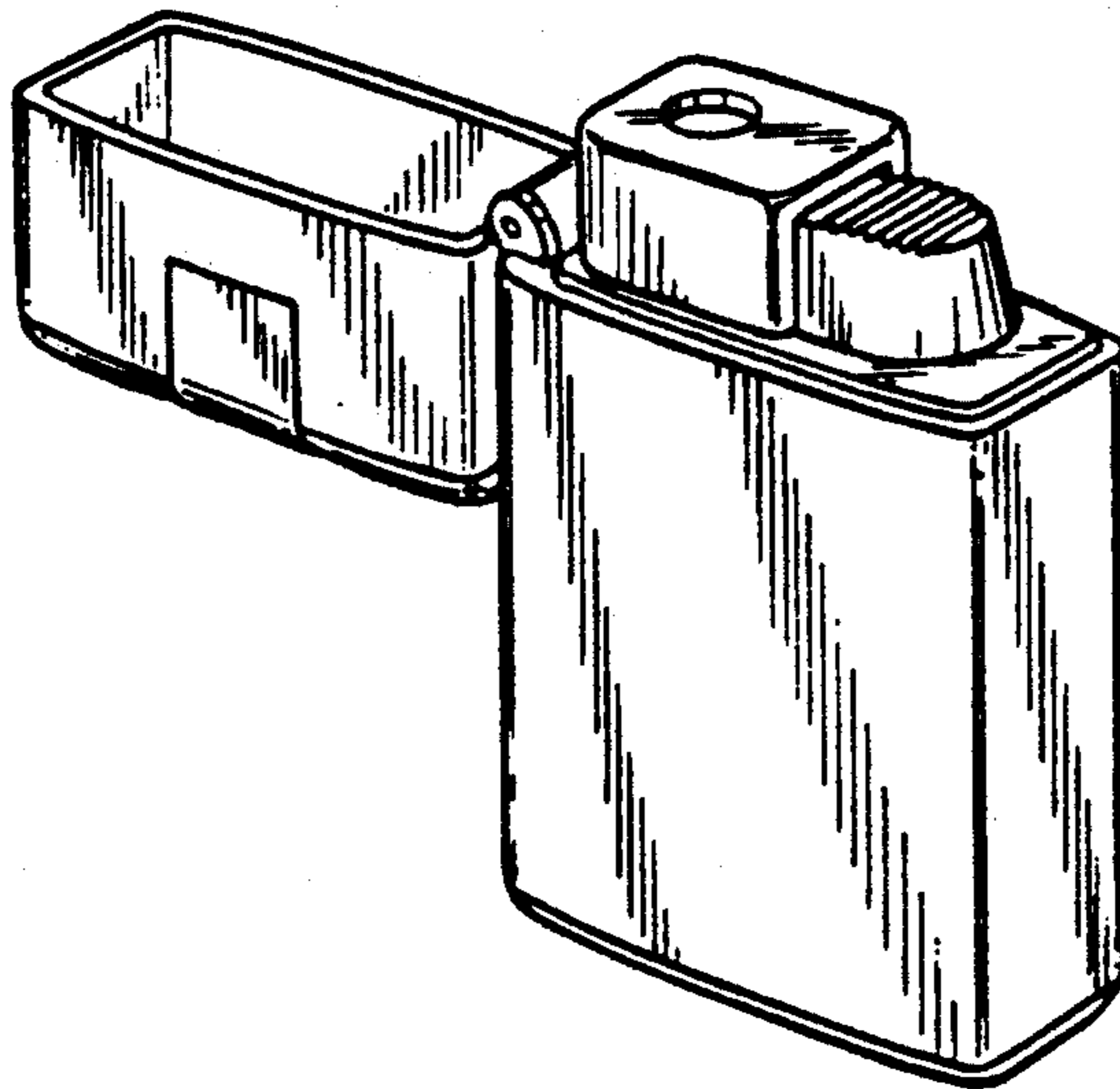


FIG. 1

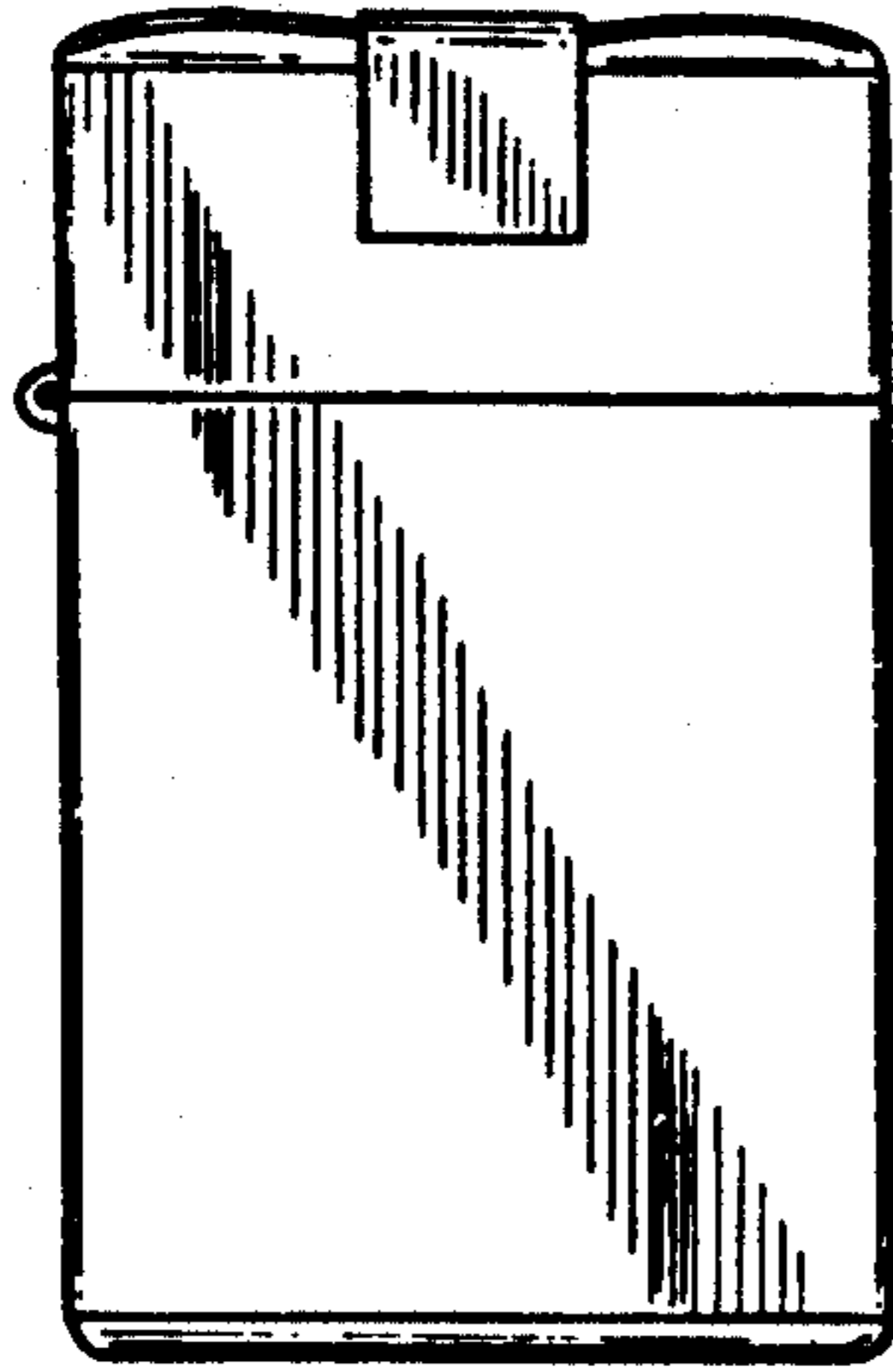


FIG. 2

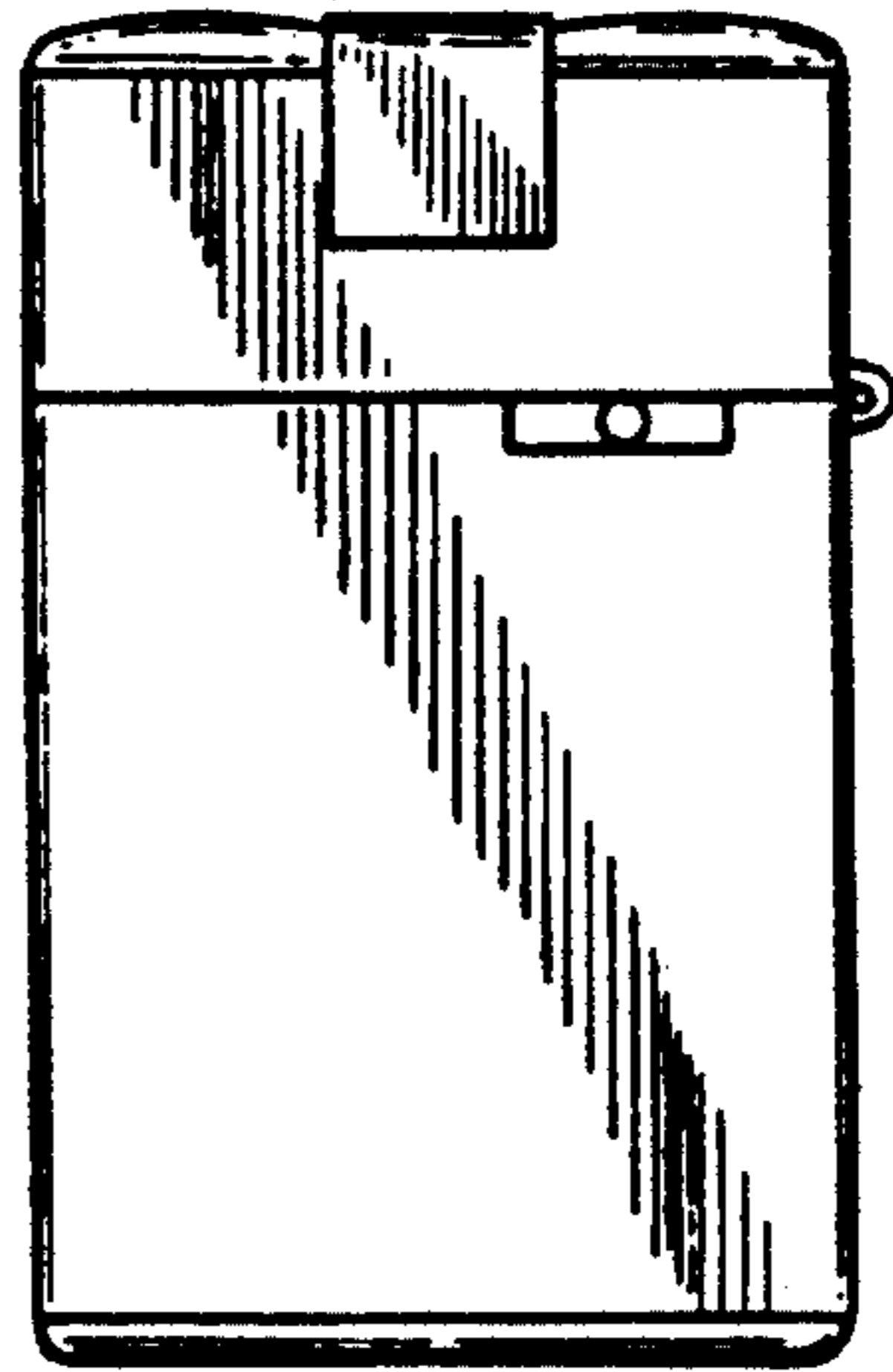


FIG. 3



FIG. 4

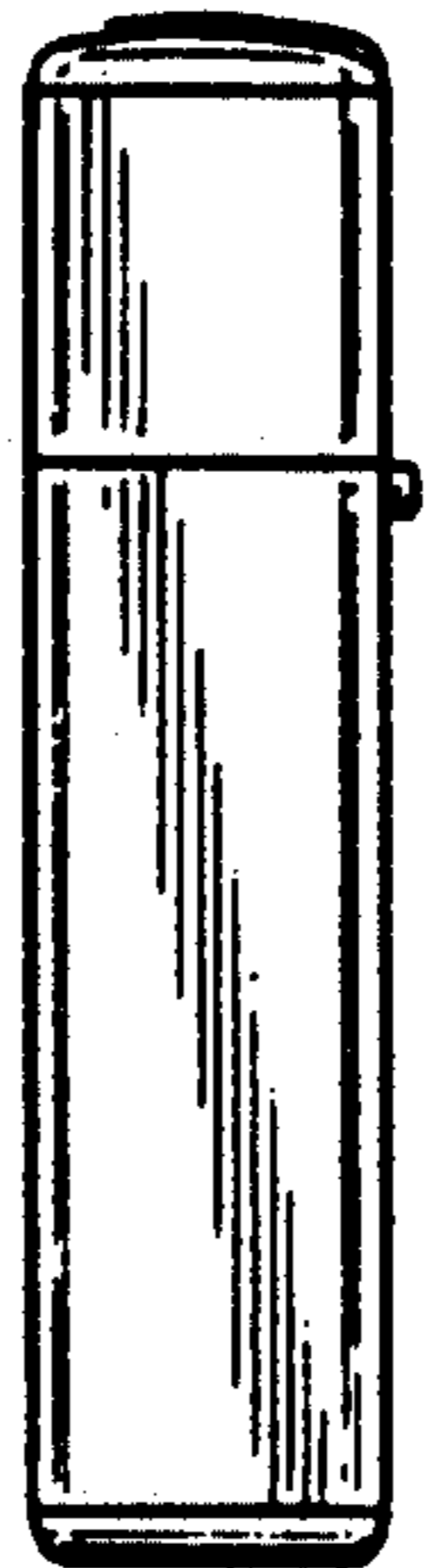


FIG. 5



FIG. 6

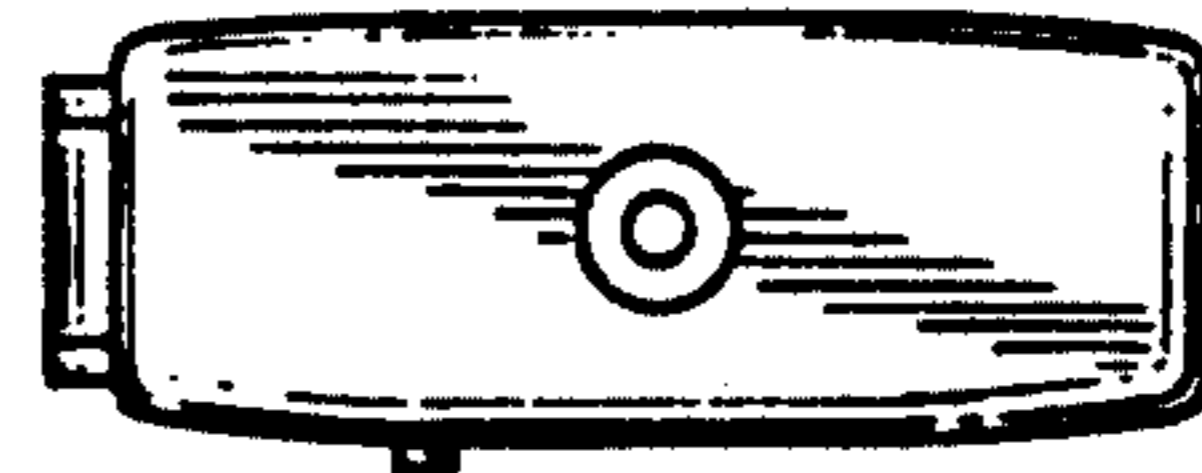


FIG. 7

