



US00D339207S

United States Patent [19]

[11] Patent Number: **Des. 339,207**

Porter

[45] Date of Patent: **** Sep. 7, 1993**

[54] LAMP SHADE

4,541,038 9/1985 Van Noord 362/351 X

[75] Inventor: **David Porter, Chagrin Falls, Ohio**

OTHER PUBLICATIONS

[73] Assignee: **The L.D. Kichler Co., Cleveland, Ohio**

Home Lighting & Accessories, Aug. 1989, p. 17, Dale Tiffany Glass Lamp Shade (bottom left).
Kichler Lighting Catalog, No. 791, pp. 48-55, Jul. 1991.

[**] Term: **14 Years**

Primary Examiner—Susan J. Lucas
Attorney, Agent, or Firm—Watts, Hoffmann, Fisher & Heinke

[21] Appl. No.: **814,991**

[22] Filed: **Jan. 8, 1992**

[57] CLAIM

[52] U.S. Cl. **D26/130; D26/91**

The ornamental design for a lamp shade, as shown and described.

[58] Field of Search **D26/72, 80-92; 362/147, 404-408, 360, 363, 332, 330, 351, 352**

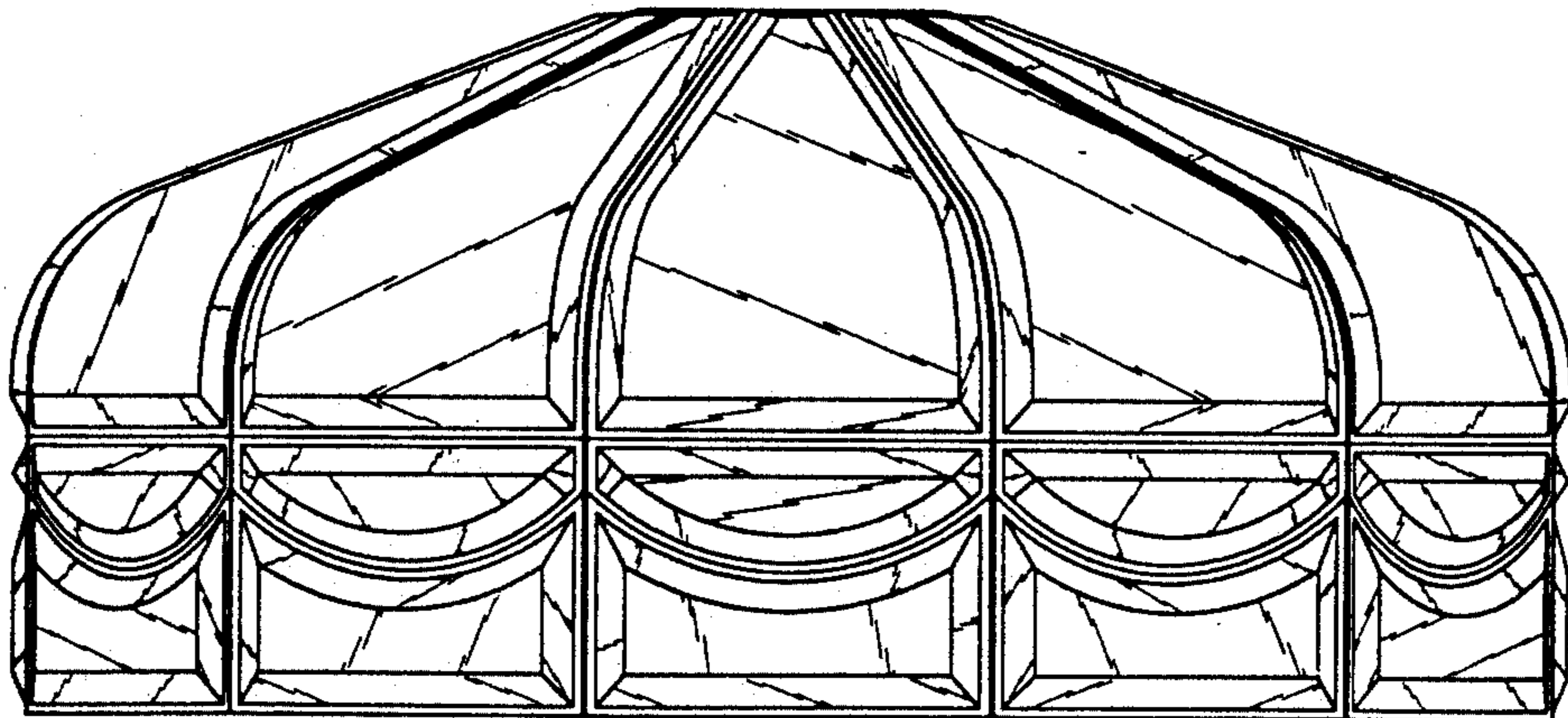
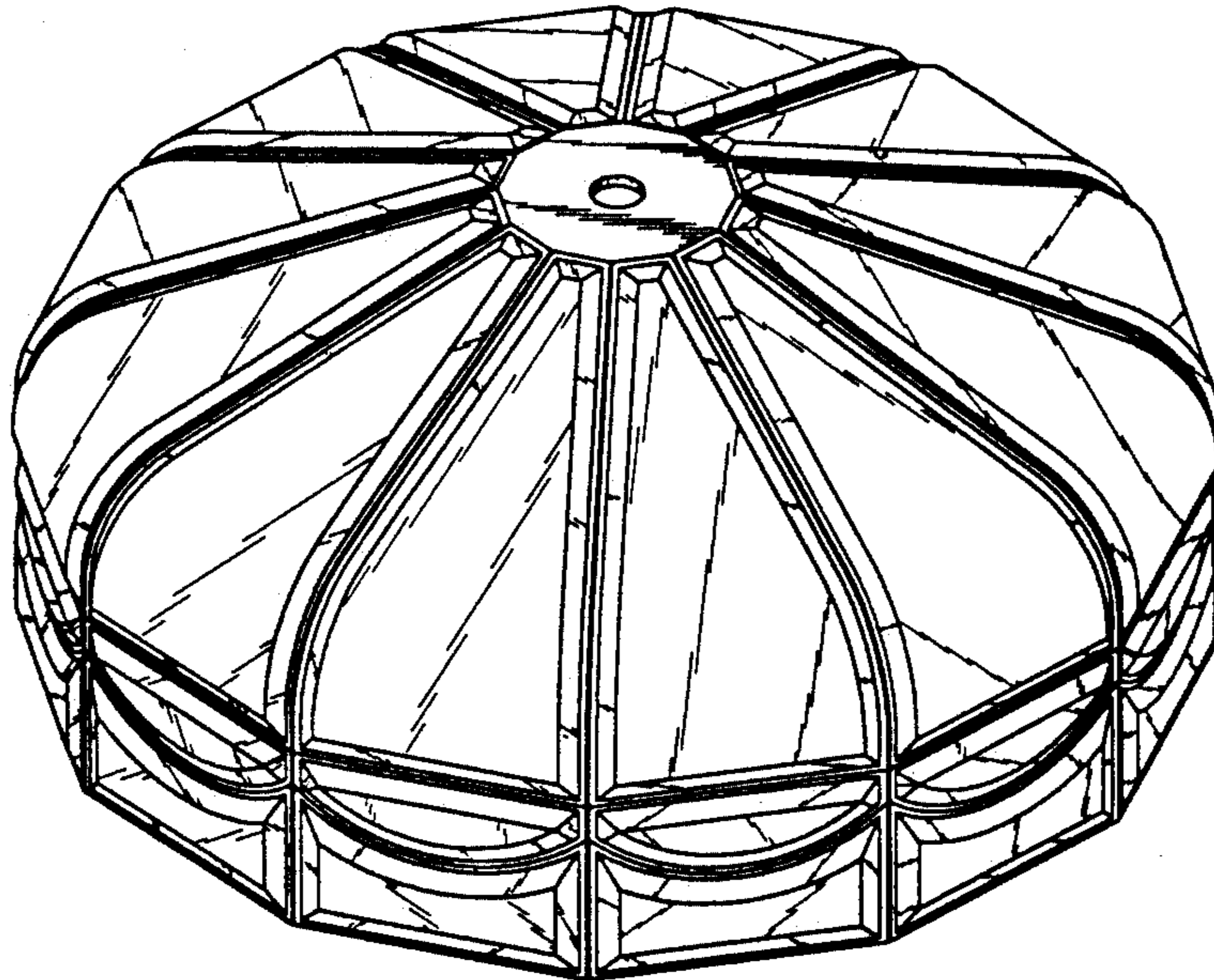
[56] References Cited

DESCRIPTION

U.S. PATENT DOCUMENTS

D. 251,871	5/1979	Horn	D26/91
D. 312,320	11/1990	Porter	D26/136
D. 315,809	3/1991	Schoenfeld	D26/130
3,757,110	9/1973	Soboleski	362/360

FIG. 1 is a perspective view of a lamp shade showing my new design;
FIG. 2 is a front elevational view thereof on an enlarged scale, the rear and sides being identical;
FIG. 3 is a top plan view thereof; and,
FIG. 4 is a bottom plan view thereof.



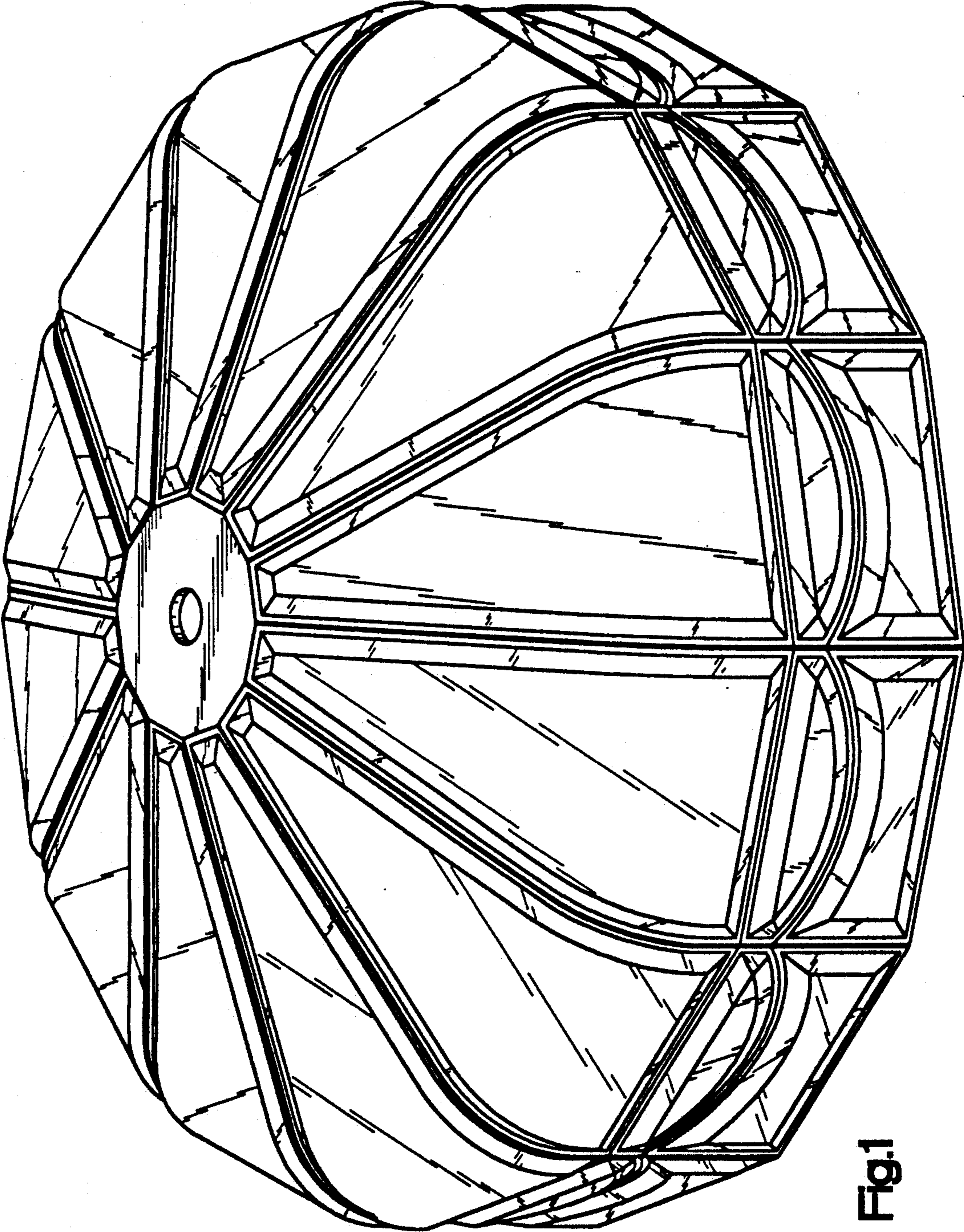


Fig. 1

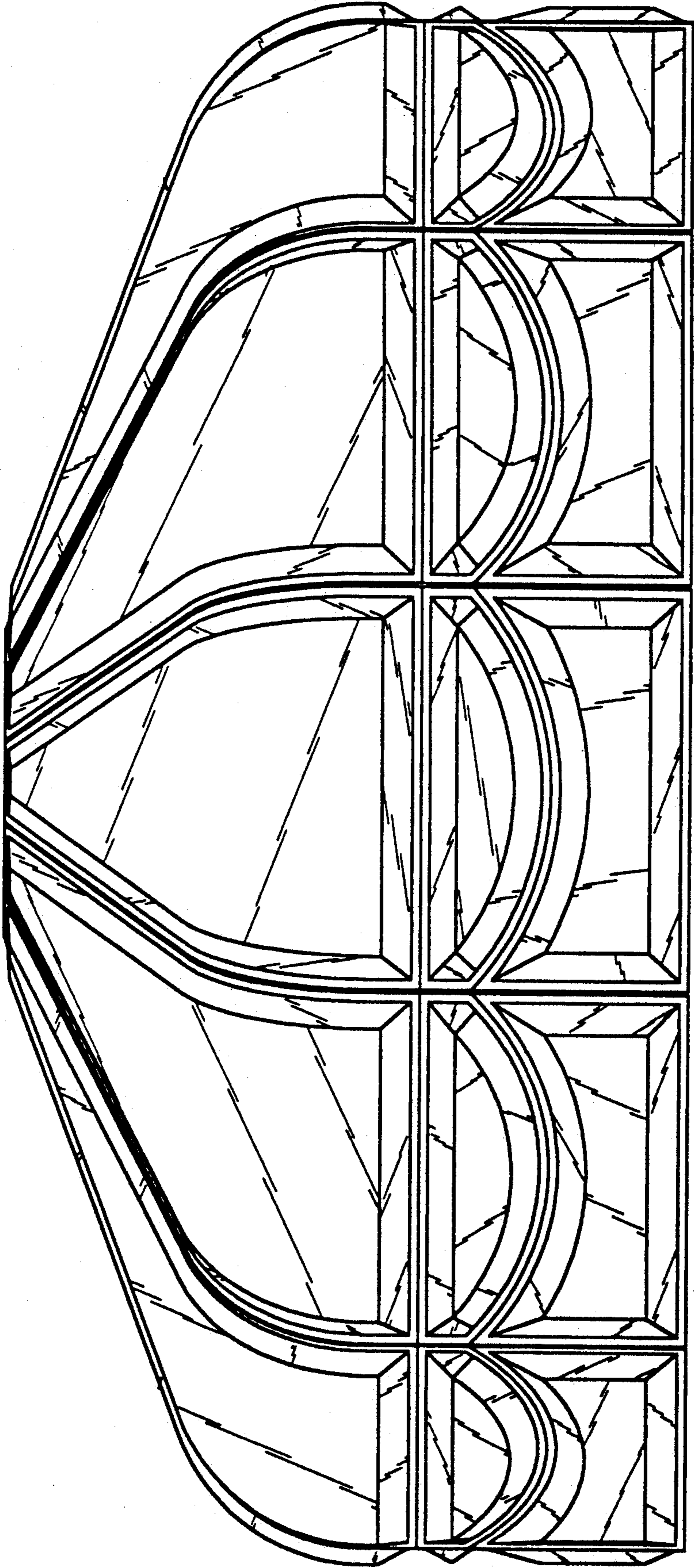


Fig. 2

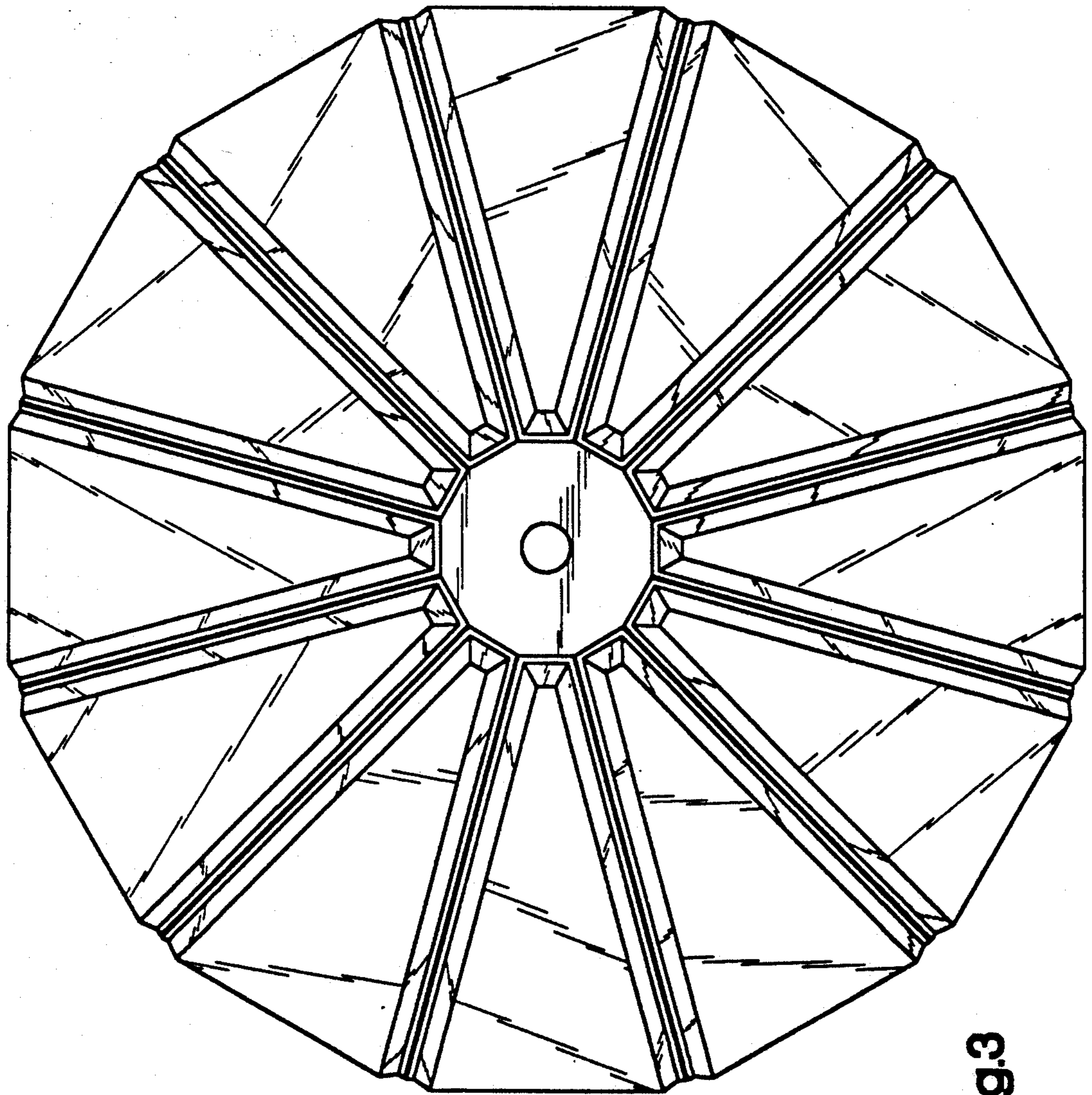


Fig.3

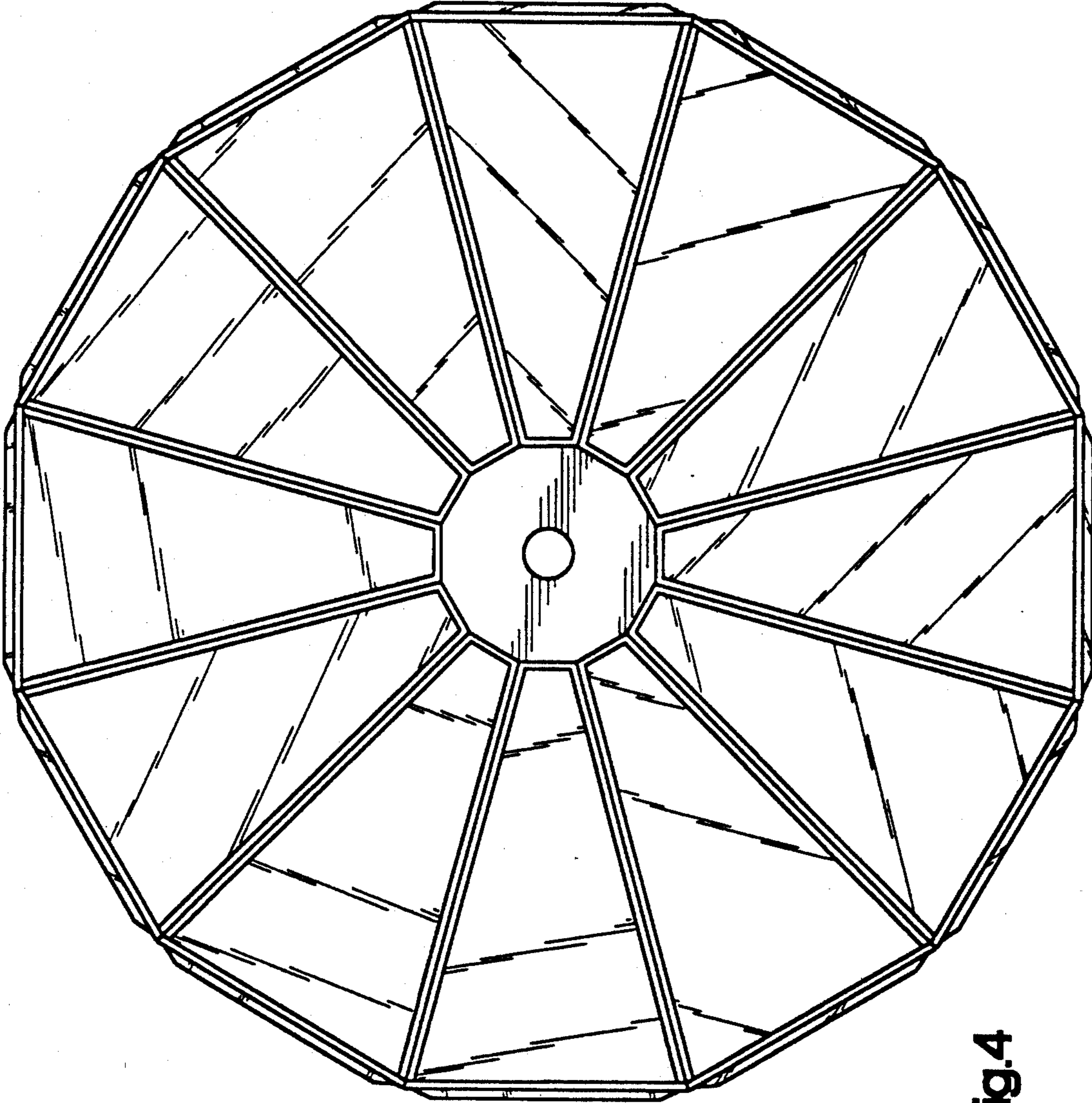


Fig.4