



US00D339202S

United States Patent [19]

[11] Patent Number: Des. 339,202

Holbrook

[45] Date of Patent: ** Sep. 7, 1993

[54] ELECTRIC LIGHTING FIXTURE FOR A CEILING FAN

4,685,038 8/1987 Huang 362/147 X

[75] Inventor: Richard M. Holbrook, Redondo Beach, Calif.

Primary Examiner—Susan J. Lucas
Attorney, Agent, or Firm—Charles H. Schwartz;
Ellsworth R. Roston

[73] Assignee: Casablanca Fan Company, Inc., City of Industry, Calif.

[57] CLAIM

[**] Term: 14 Years

The ornamental design for an electric lighting fixture for a ceiling fan, as shown and described.

[21] Appl. No.: 762,949

DESCRIPTION

[22] Filed: Sep. 19, 1991

[52] U.S. Cl. D26/84

[58] Field of Search D26/72, 80-92;
362/96, 147, 404-408

[56] References Cited

U.S. PATENT DOCUMENTS

D. 325,649 4/1992 Pearce D26/84

FIG. 1 is a perspective view of an electric lighting fixture for a ceiling fan showing my new design, the ceiling fan being shown in broken lines for illustrative purposes only and forming no part of the claimed design;

FIG. 2 is an enlarged side elevational view thereof and with all other side views being identical;

FIG. 3 is an enlarged bottom plan view thereof; and,

FIG. 4 is an enlarged top plan view thereof.

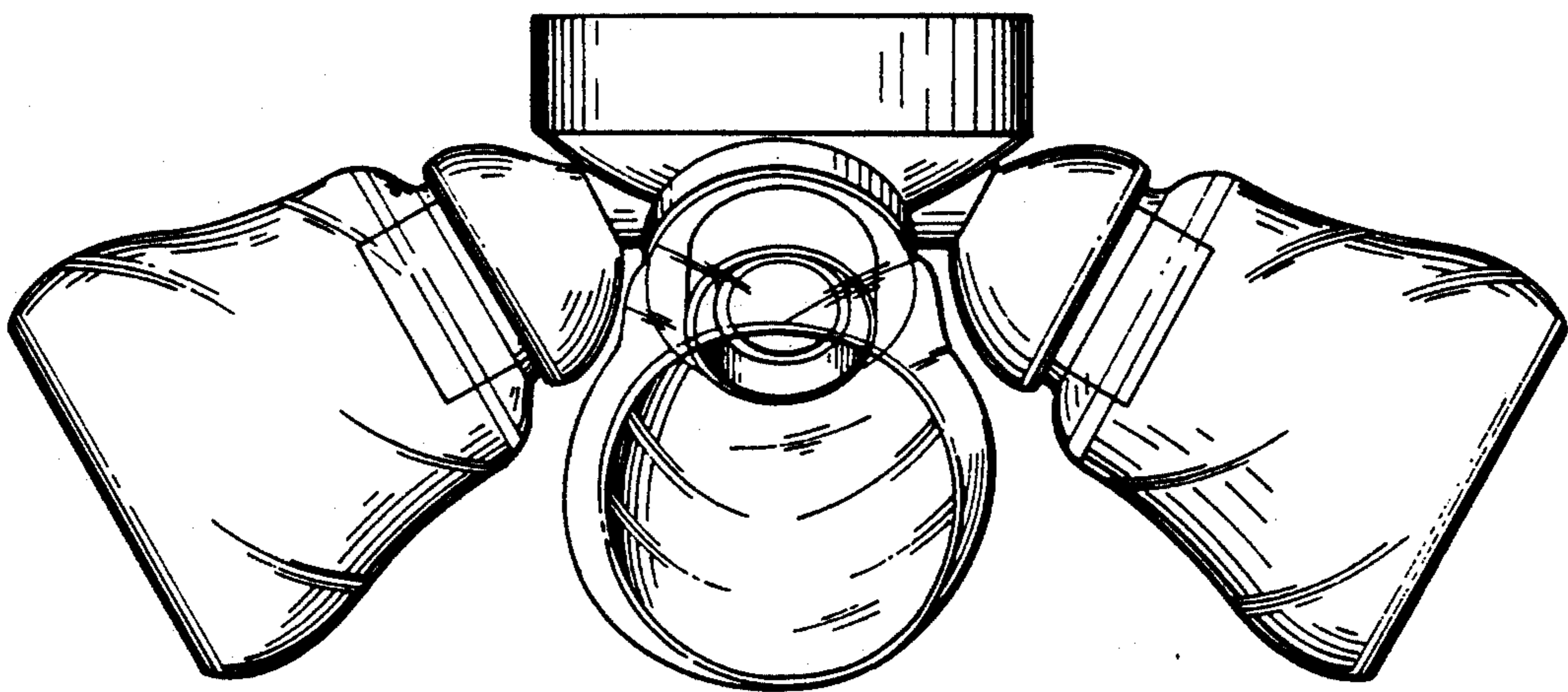
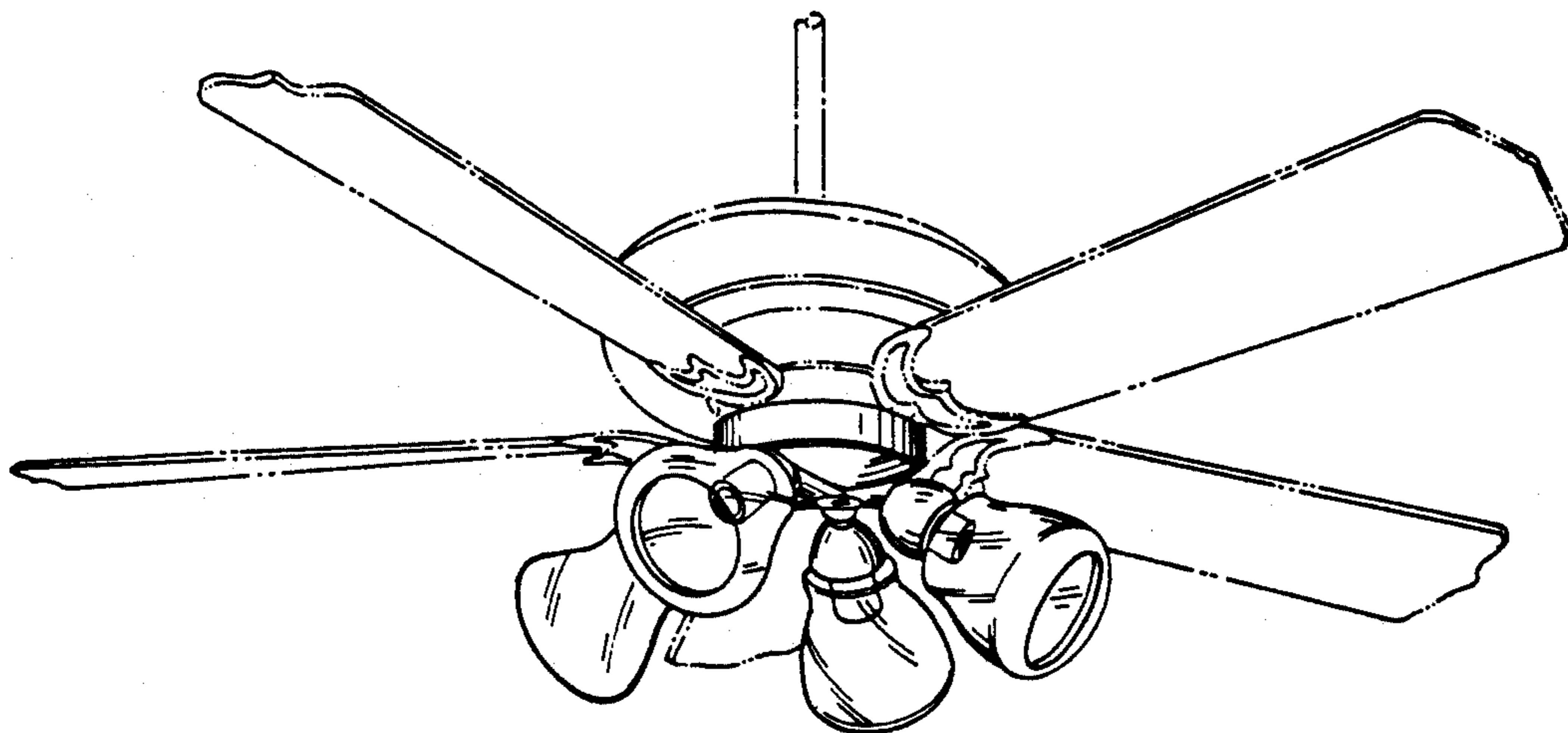


FIG. 1

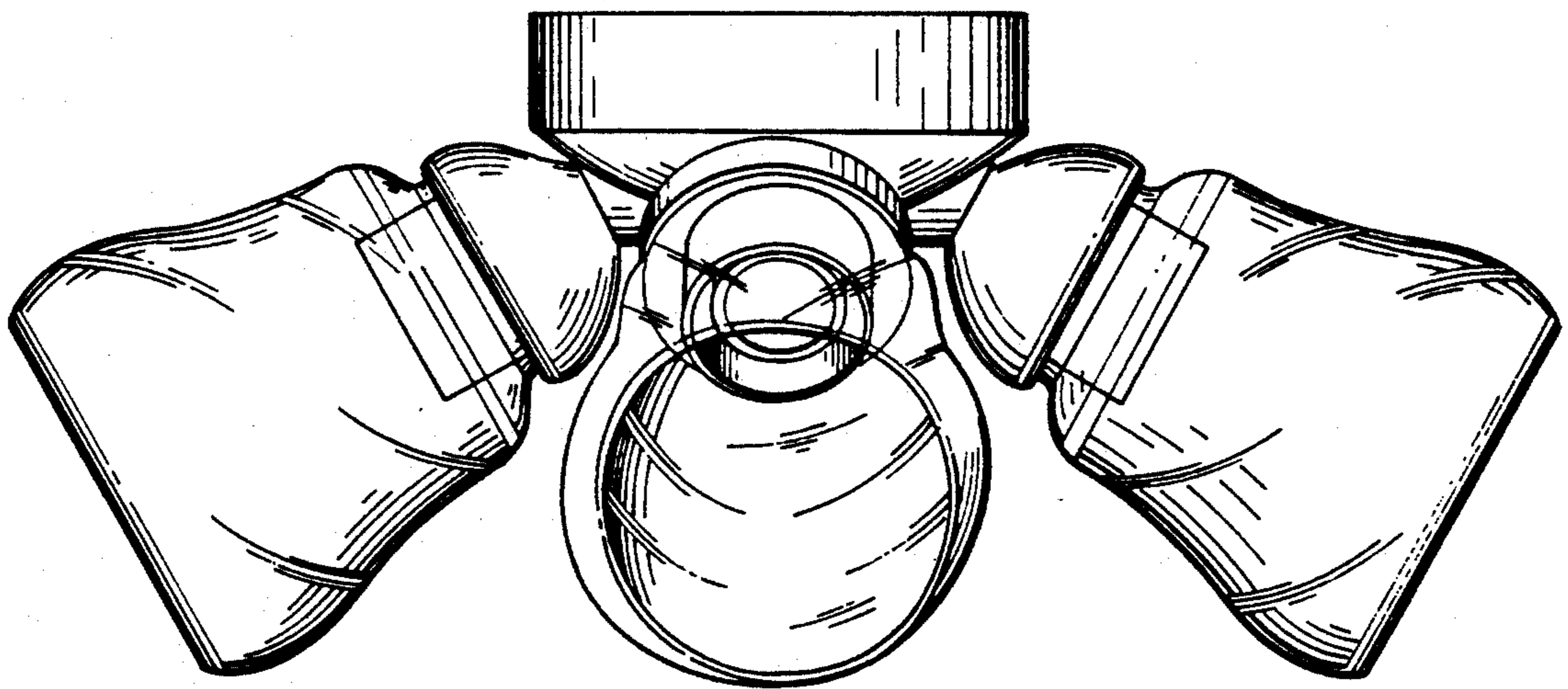
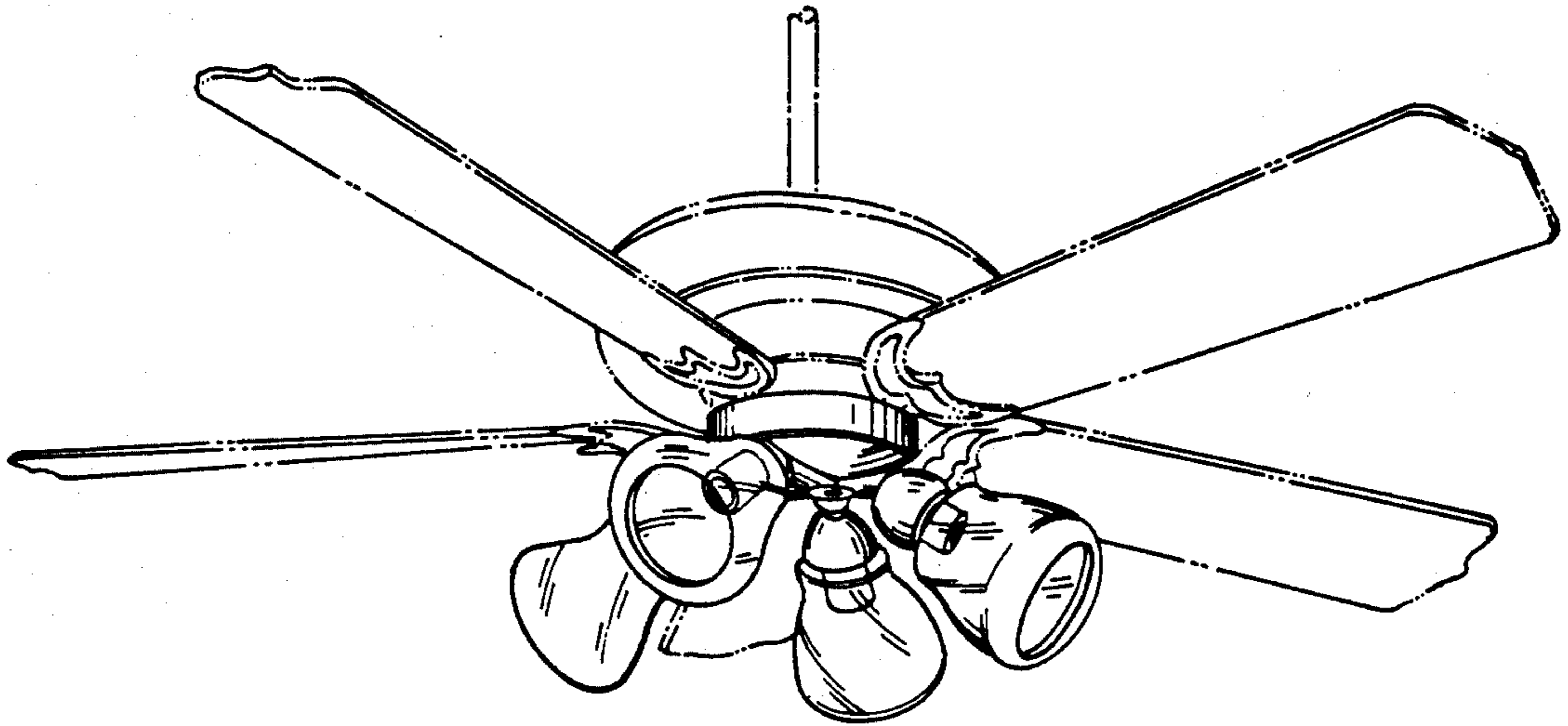


FIG. 2

FIG. 3

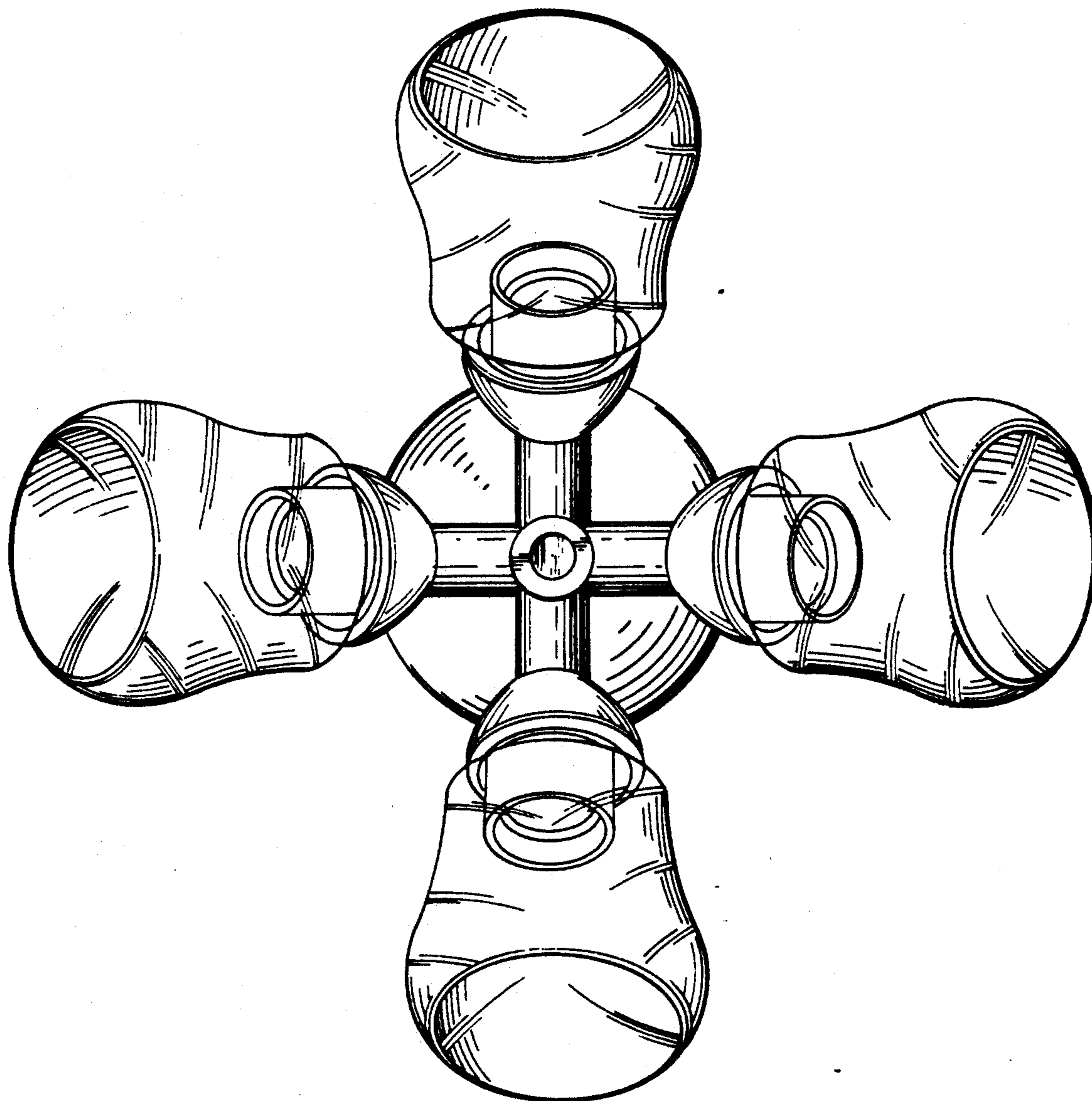


FIG. 4

