



US00D339200S

United States Patent [19]

[11] Patent Number: **Des. 339,200**

Engel

[45] Date of Patent: **** Sep. 7, 1993**

[54] **ARTICULATED SPOTLIGHT SUPPORT ARM**

[76] Inventor: **Hartmut S. Engel**, Schloss Heutingsheim, 7149 Freiberg am Neckar, Fed. Rep. of Germany

[**] Term: **14 Years**

[21] Appl. No.: **584,945**

[22] Filed: **Sep. 19, 1990**

[30] **Foreign Application Priority Data**

Mar. 19, 1990 [DE] Fed. Rep. of Germany M9002077.4

[52] U.S. Cl. **D26/63**

[58] Field of Search D26/61, 63, 64, 65, D26/66; 362/147, 404, 267, 275, 285, 418, 419, 427

[56] **References Cited**

U.S. PATENT DOCUMENTS

4,112,486 9/1978 Tovi 362/419
4,814,955 3/1989 Price 362/427 X

OTHER PUBLICATIONS

Domus, Nov. 1980, Adverts p. 118, Mrtinelli Luce Low Voltage Halogen Lamp.
Domus, Nov. 1988 Adverts-p. 118, Fillimartini low voltage system for halogen bulbs.

Universe Stage Lighting, inc. Catalog, Apr. 1988, p. 22, Juno pendant mini-spotlight #TP443.

Primary Examiner—Susan J. Lucas
Attorney, Agent, or Firm—Browdy and Neimark

[57] **CLAIM**

The ornamental design for an articulated spotlight support arm, as shown and described.

DESCRIPTION

FIG. 1 is a perspective view of the articulated spotlight support arms in accordance with the present invention; FIG. 2 is a right side view of the articulated spotlight support arm shown in FIG. 1; FIG. 3 is a left side view of the articulated spotlight support arm shown in FIG. 1; FIG. 4 is a bottom plan view of the articulated spotlight support arm of FIG. 1 with the support arm in a vertical position; FIG. 5 is a top plan view of the articulated spotlight support arm of FIG. 1 with the support arms in a vertical position; FIG. 6 is a rear view of the articulated spotlight support arm shown in FIG. 1 with the support arms in a vertical position; and, FIG. 7 is a rear view of the articulated spotlight support arm of FIG. 1 with the support arms in the position shown in FIG. 1. The broken lines are shown for illustrative purposes only and form no part of the claimed design.

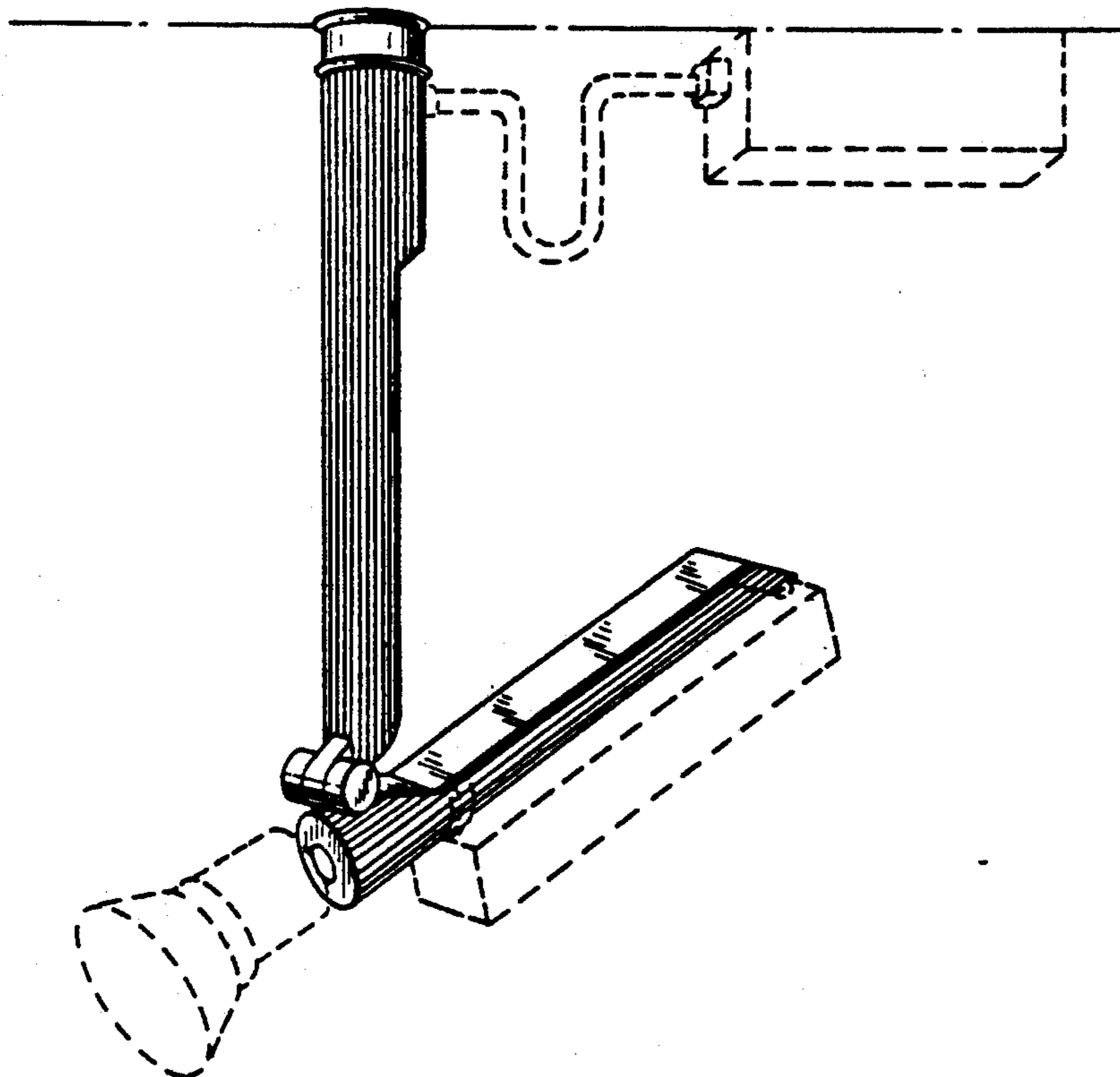


FIG. 1

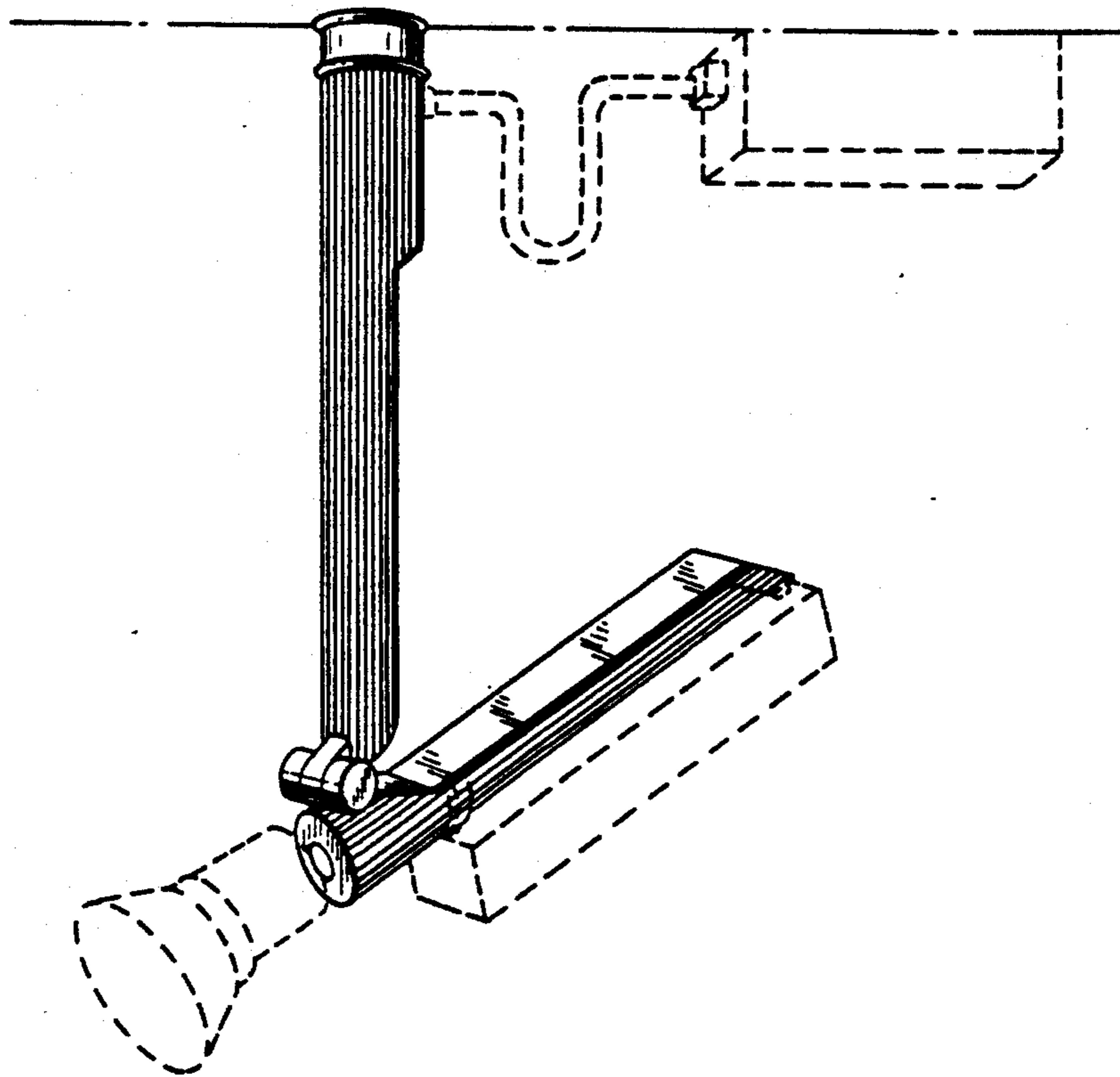


FIG. 2

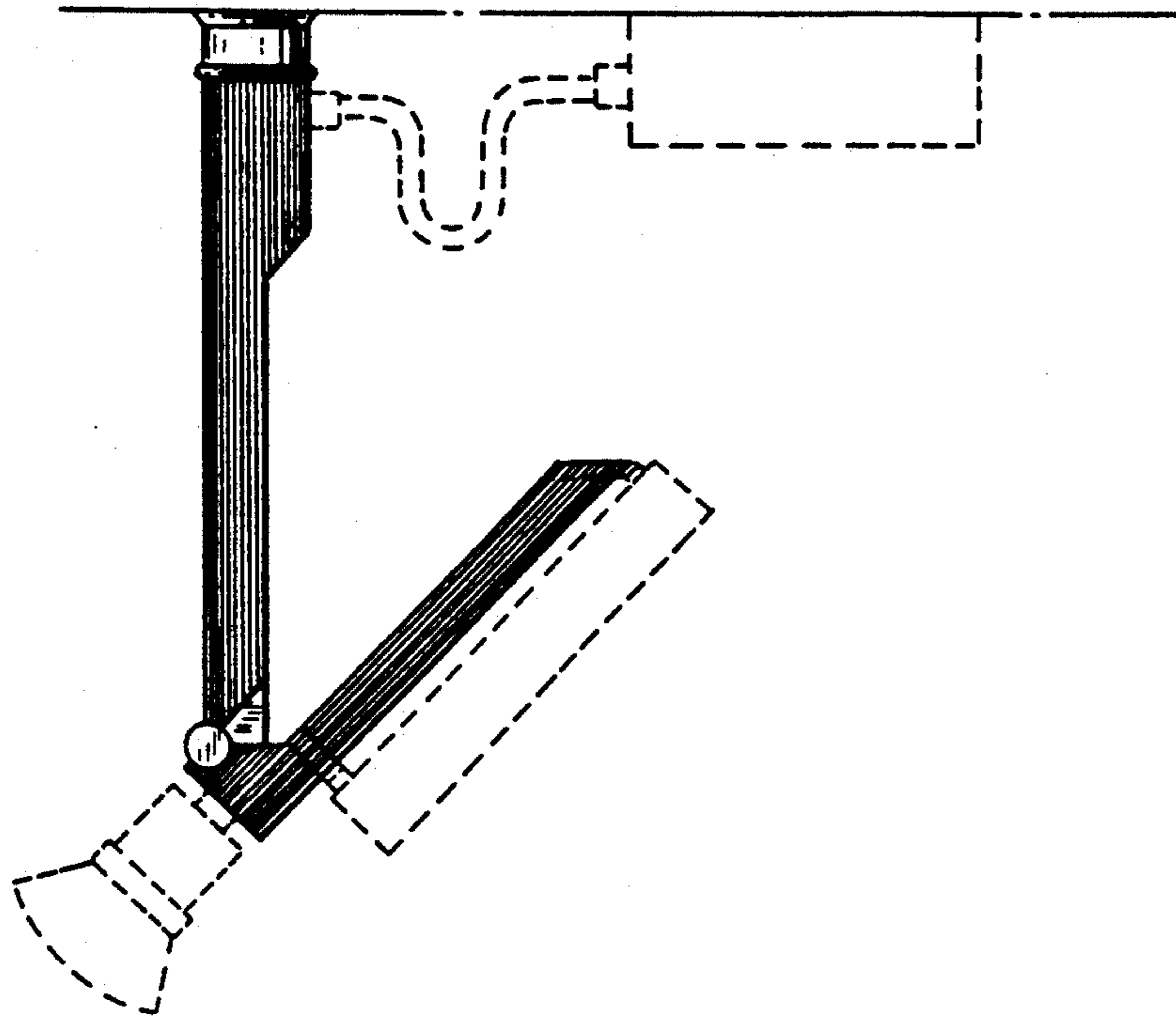


FIG. 3

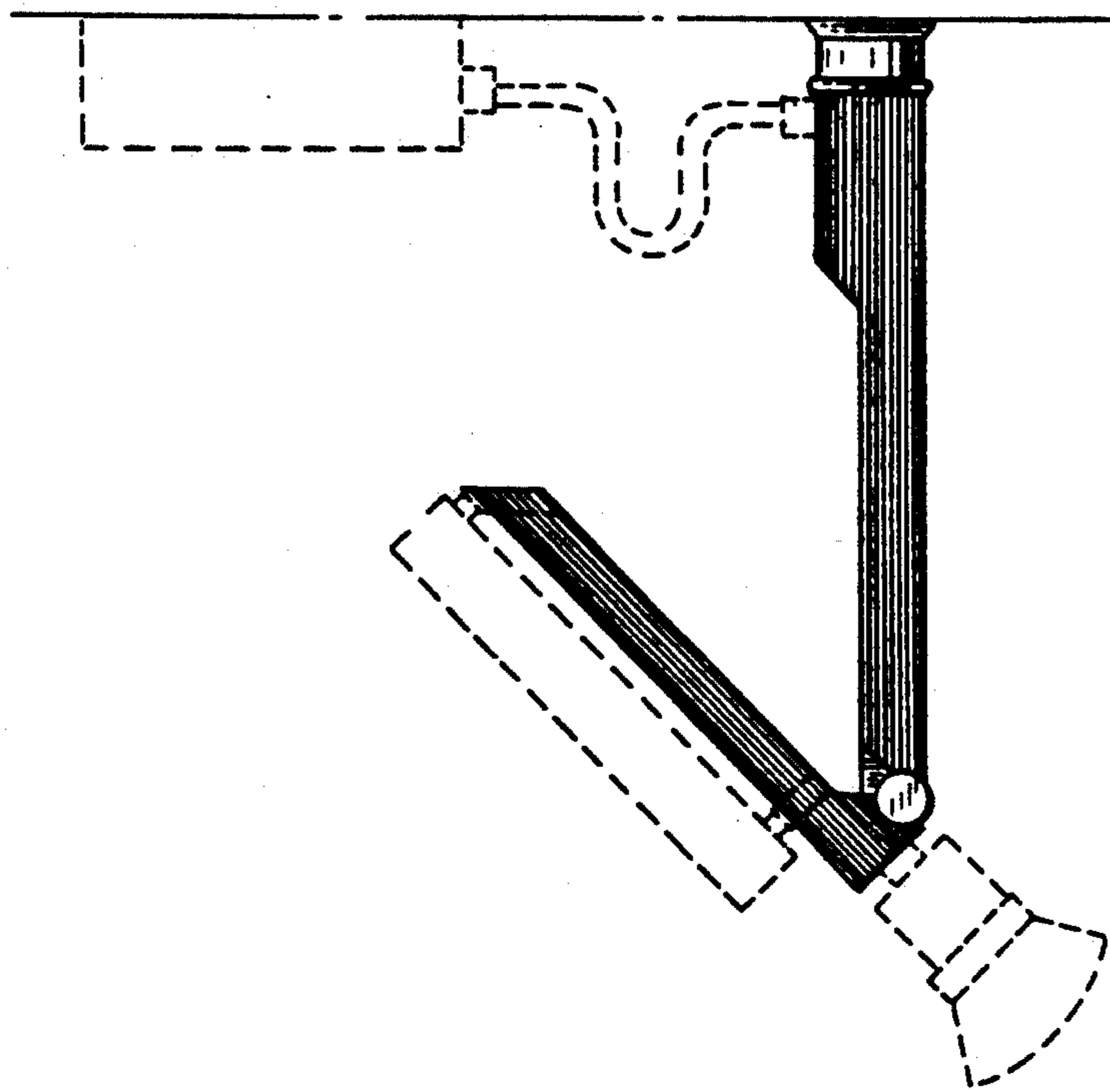


FIG. 4

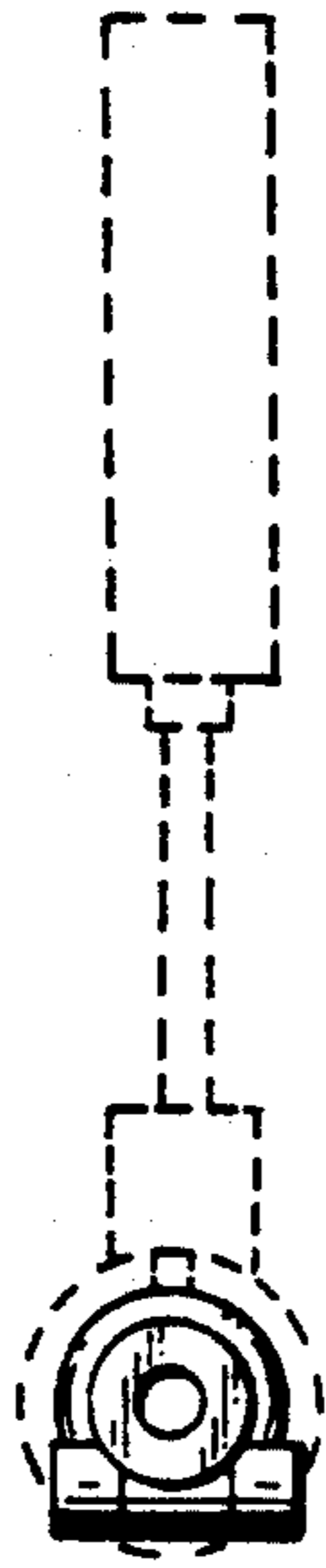


FIG. 5

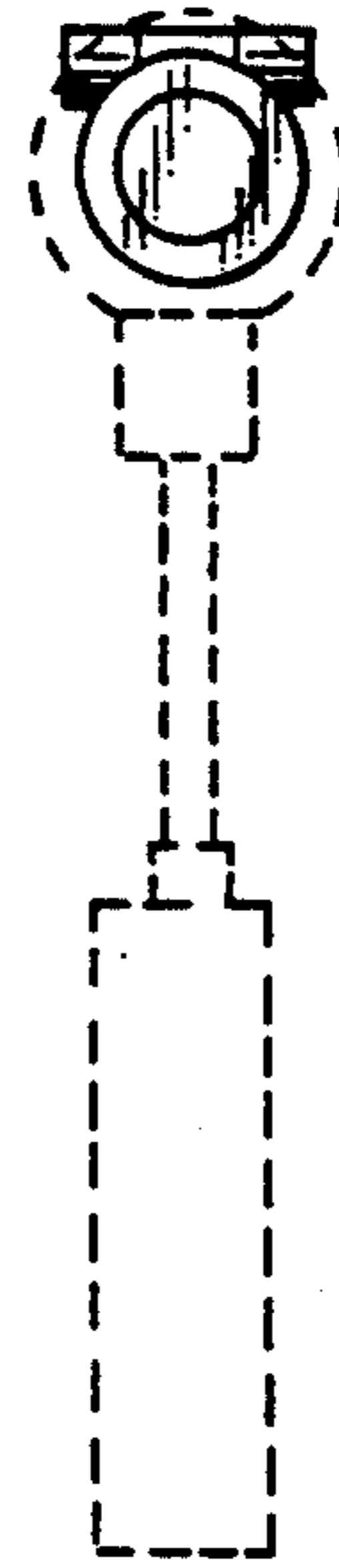


FIG. 6

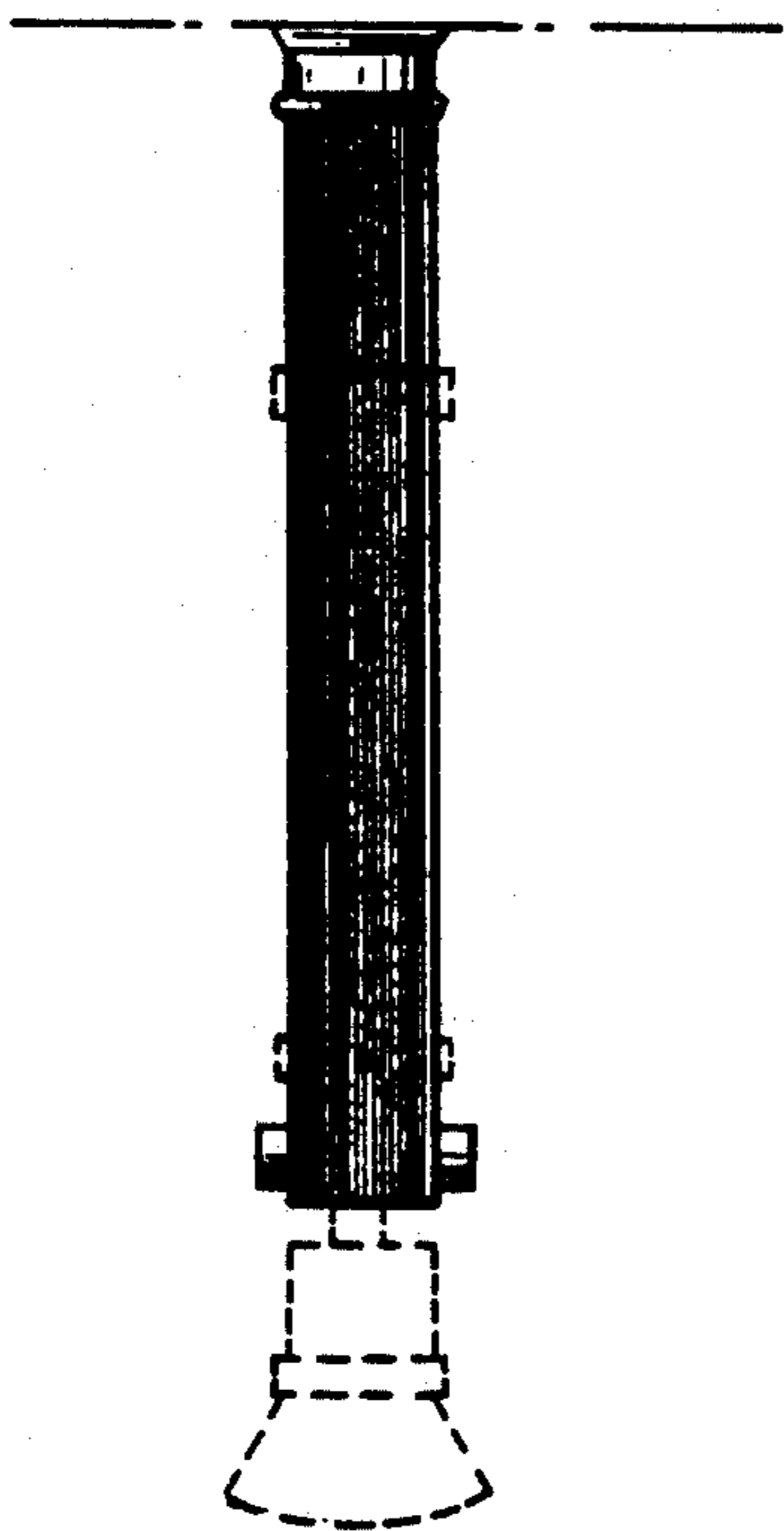


FIG. 7

