



US00D339199S

# United States Patent [19]

[11] Patent Number: **Des. 339,199**

**Rynberk**

[45] Date of Patent: **\*\* Sep. 7, 1993**

[54] **EDGING**

3,589,087 6/1971 De Pazzero ..... 52/318

[75] Inventor: **Robert W. Rynberk, Orland Park, Ill.**

### OTHER PUBLICATIONS

[73] Assignee: **Valley View Specialties Co., Crestwood, Ill.**

1981 Sweet's Catalogue Section 8.7/Wil p. 16 item located on bottom left of page illustration labeled "Tee" type.

[\*\*] Term: **14 Years**

*Primary Examiner*—A. Hugo Word  
*Assistant Examiner*—Doris Clark  
*Attorney, Agent, or Firm*—James P. Ryther

[21] Appl. No.: **637,754**

[22] Filed: **Jan. 7, 1991**

[52] U.S. Cl. .... **D25/164**

[58] Field of Search ..... **D25/119, 121, 164; 52/318, 444, 448**

### [57] CLAIM

The ornamental design for an edging, as shown and described.

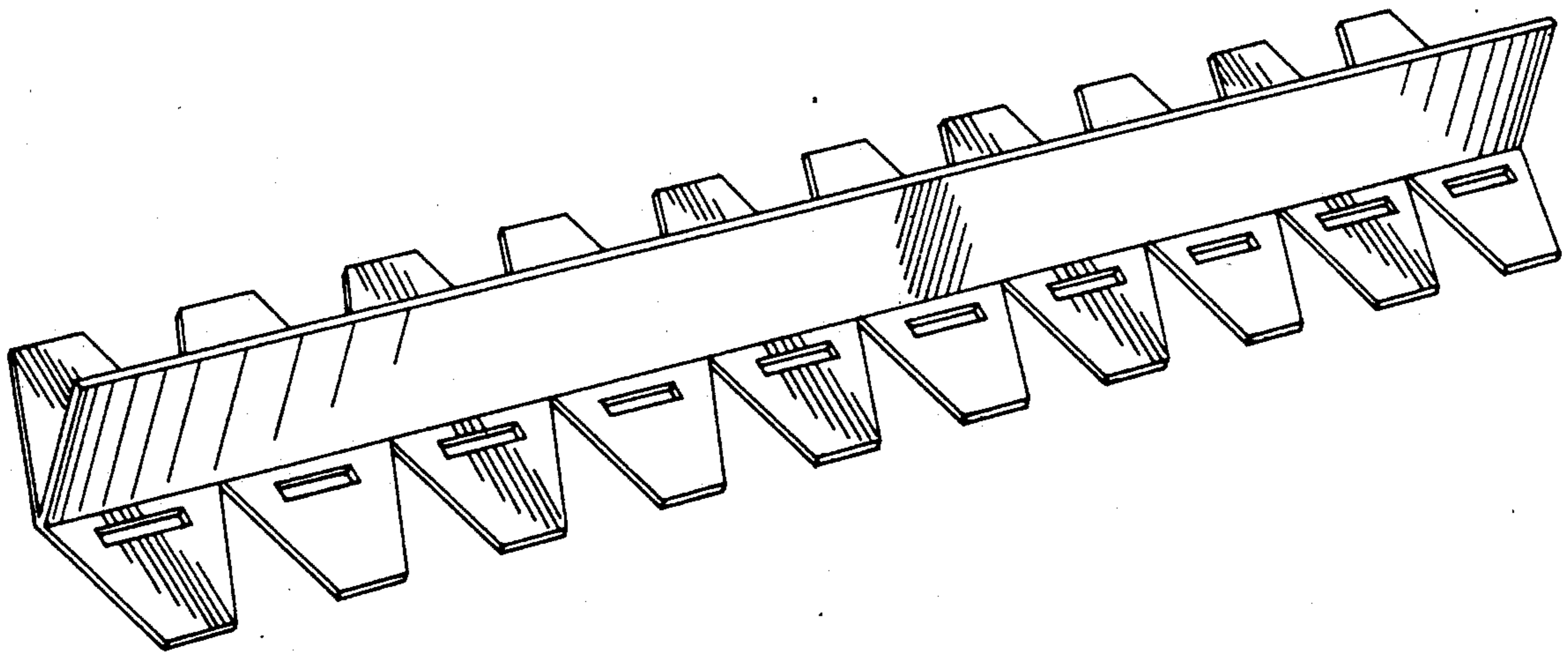
### [56] References Cited

#### U.S. PATENT DOCUMENTS

D. 229,209	11/1973	Tabone	.....	D25/164
D. 251,070	2/1979	Blake	.....	D25/164
2,031,249	2/1936	Bowman	.....	52/318
2,045,936	6/1936	Wieger	.....	52/318

### DESCRIPTION

FIG. 1 is a perspective view of the invention;  
FIG. 2 is a side elevational view of the invention;  
FIG. 3 is a front elevational view, the rear being identical thereto;  
FIG. 4 is a top plan view of the invention; and,  
FIG. 5 is a bottom plan view of the invention.



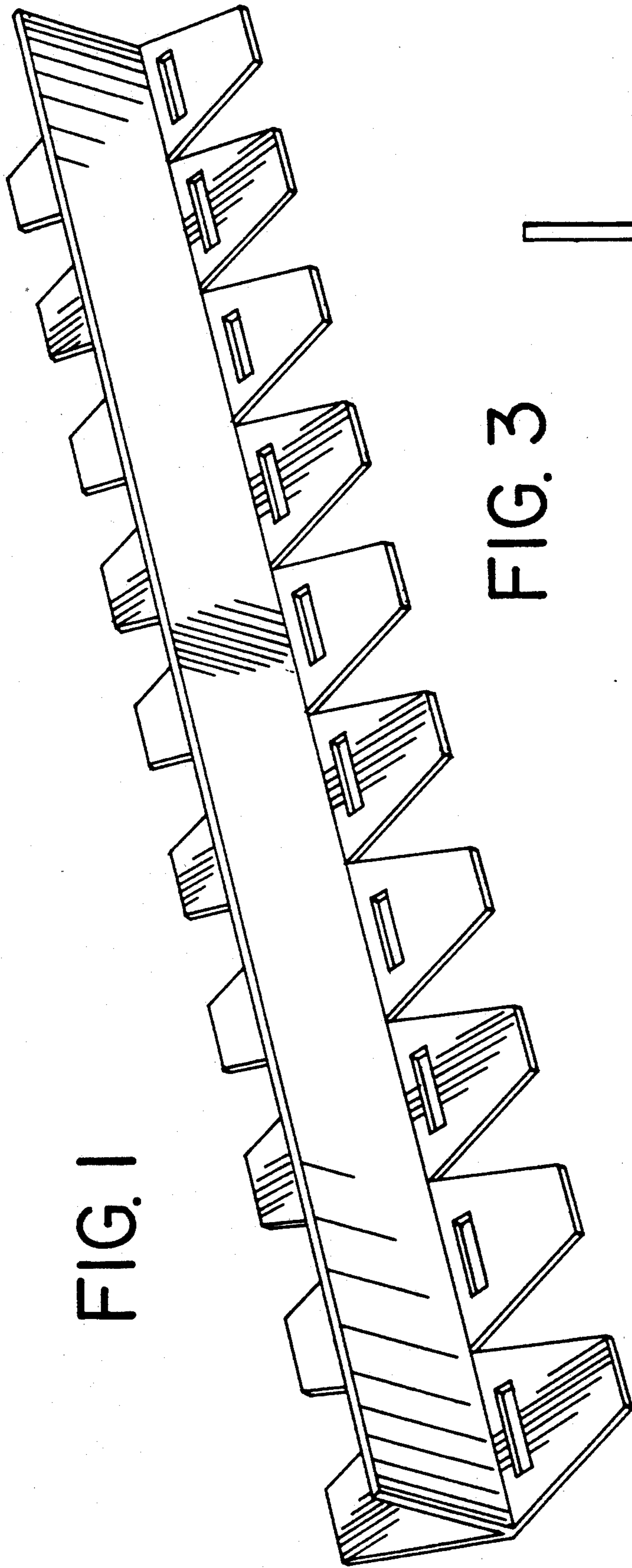


FIG. 1

FIG. 3

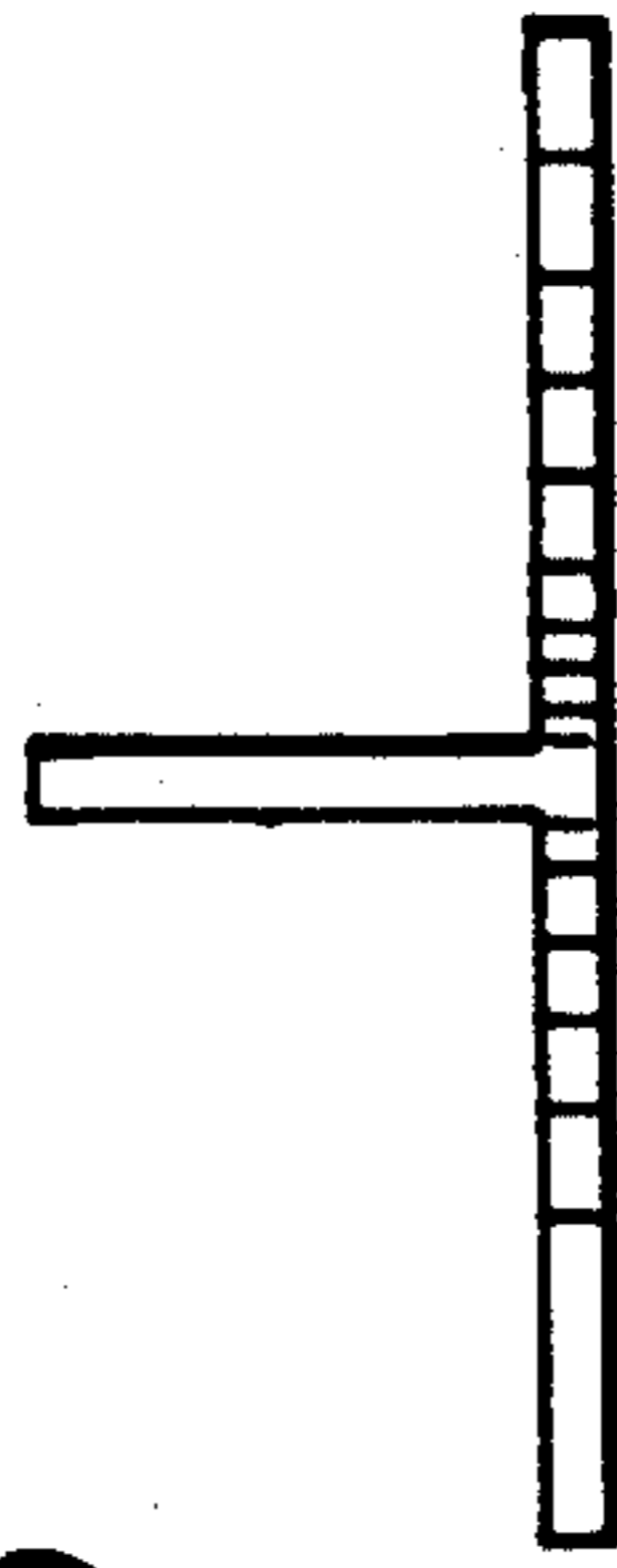


FIG. 2

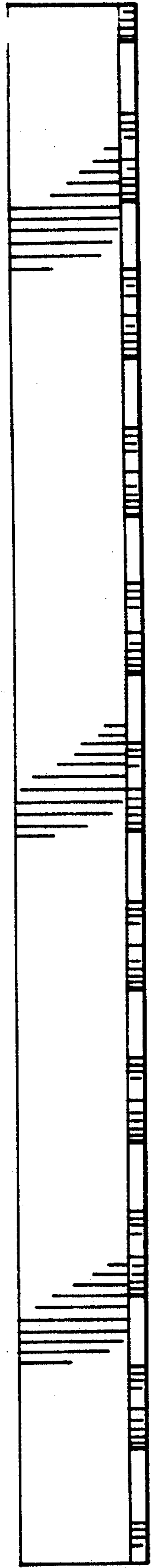


FIG. 4

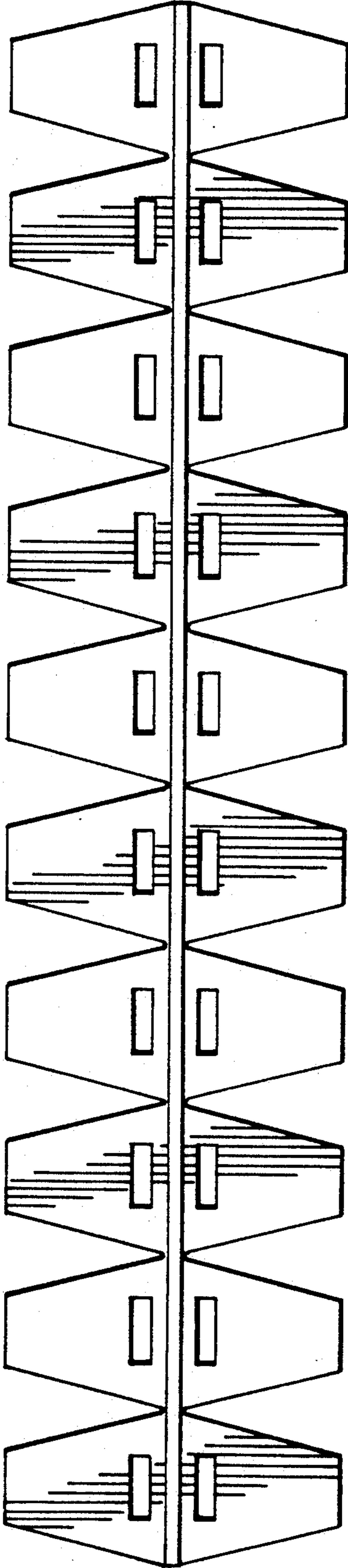


FIG. 5

