



US00D339195S

# United States Patent [19]

[11] Patent Number: **Des. 339,195**

Nash et al.

[45] Date of Patent: **\*\* Sep. 7, 1993**

[54] **IV HOLDER**

[76] Inventors: **Norman F. Nash**, 70 S. Rossler Ave., Cheektowaga, N.Y. 14206; **Joan Lastowski**, 1541 Folsomdale Rd., Cowlesville, N.Y. 14037

4,113,222 9/1978 Frinzel .  
4,211,380 7/1980 Lillegard et al. .... 241/316.7 X  
4,383,252 5/1983 Purcell et al. .... 248/75 X  
4,702,448 10/1987 Lo Jacono et al. .... 248/230 X  
4,735,431 4/1988 Tait .

[\*\*] Term: **14 Years**

*Primary Examiner*—Stella Reid  
*Assistant Examiner*—I. Simmons  
*Attorney, Agent, or Firm*—Terry M. Gernstein

[21] Appl. No.: **754,693**

[57] **CLAIM**

[22] Filed: **Sep. 4, 1991**

The ornamental design for an IV holder, as shown and described.

[52] U.S. Cl. .... **D24/128; 248/68.1; 248/229**

[58] Field of Search ..... **D24/128, 127, 199; 248/229, 68.1, 316.7, 102, 103, 104, 105, 106, 107**

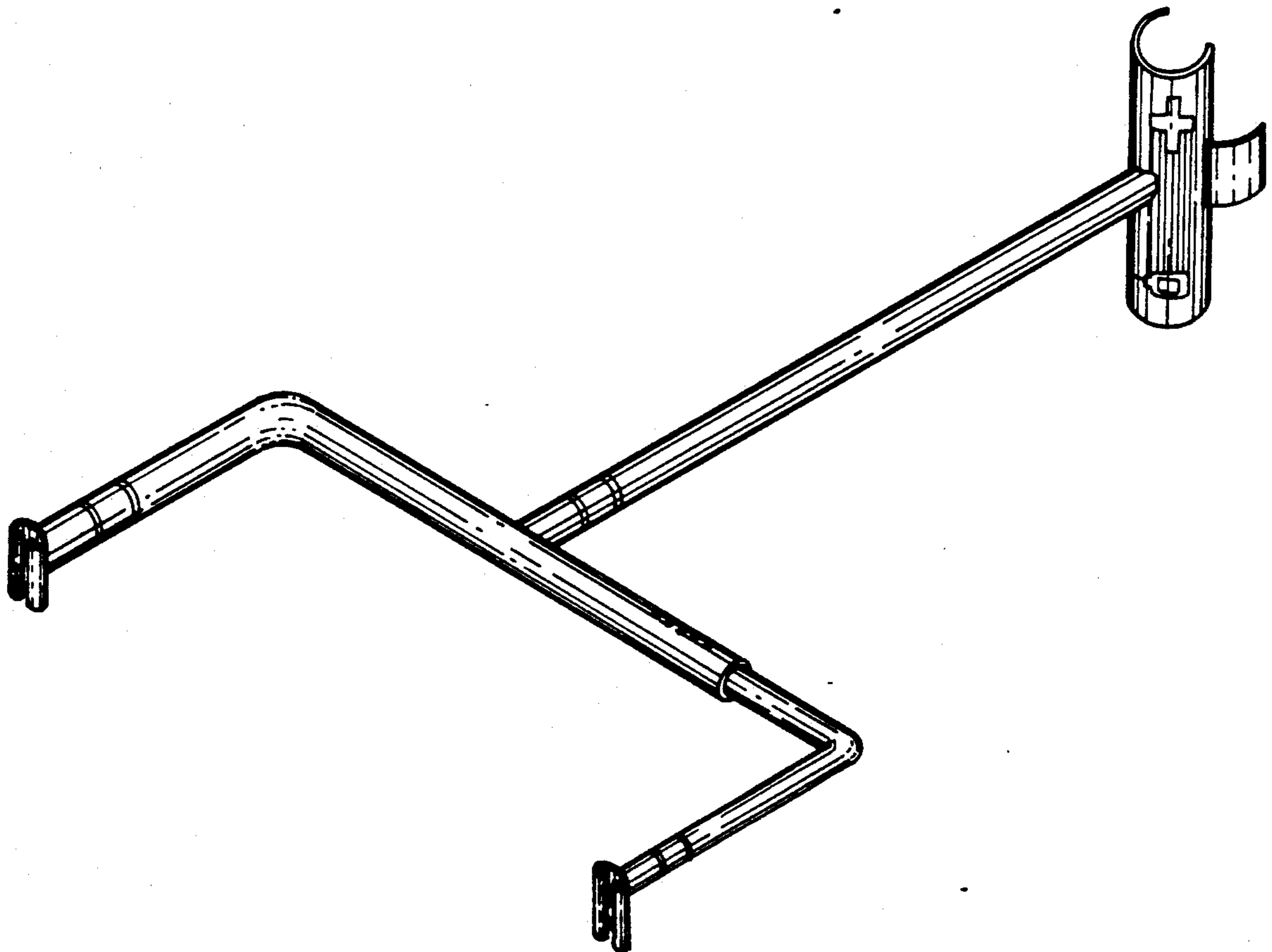
**DESCRIPTION**

FIG. 1 is a perspective view of an I.V. holder showing our new design;  
FIG. 2 is a front elevational view thereof;  
FIG. 3 is a rear elevational view thereof;  
FIG. 4 is a side elevational view thereof;  
FIG. 5 is a side elevational view thereof;  
FIG. 6 is a top plan view thereof; and,  
FIG. 7 is a bottom view thereof.

[56] **References Cited**

**U.S. PATENT DOCUMENTS**

2,682,932 2/1949 Howard ..... D4/185 X  
2,696,963 12/1954 Shepherd ..... 248/229  
3,709,556 1/1973 Allard .



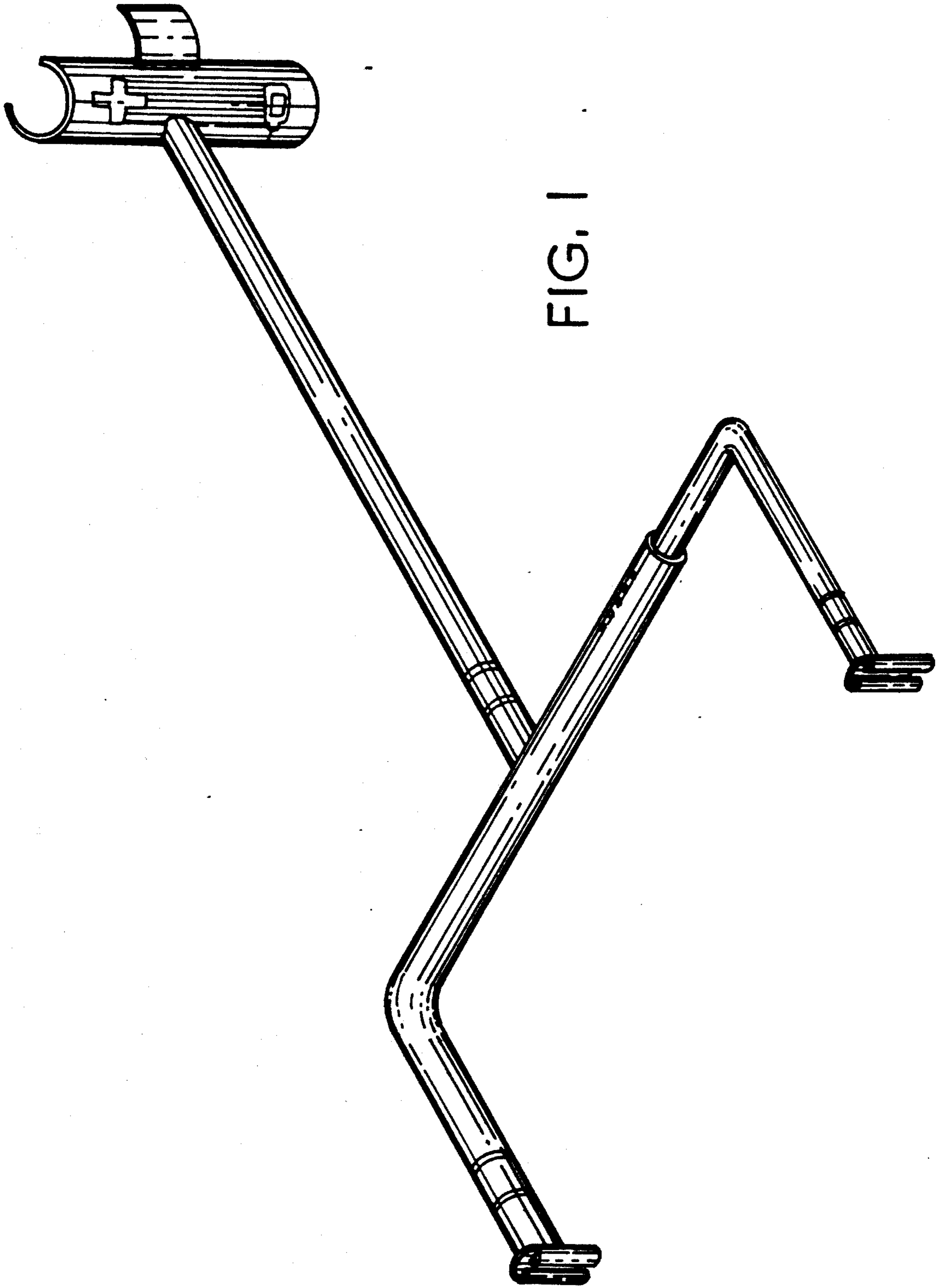


FIG. 1

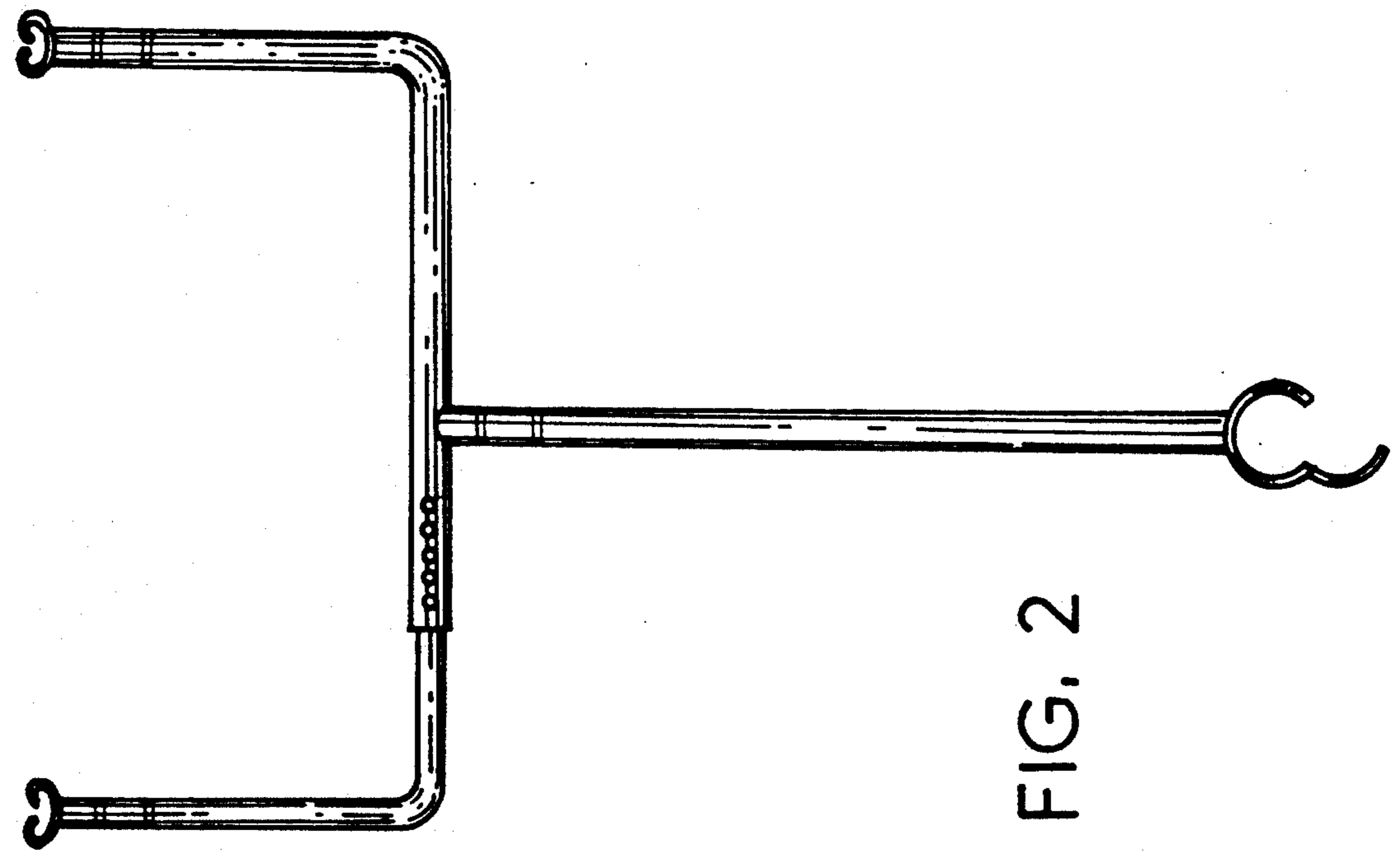


FIG. 2

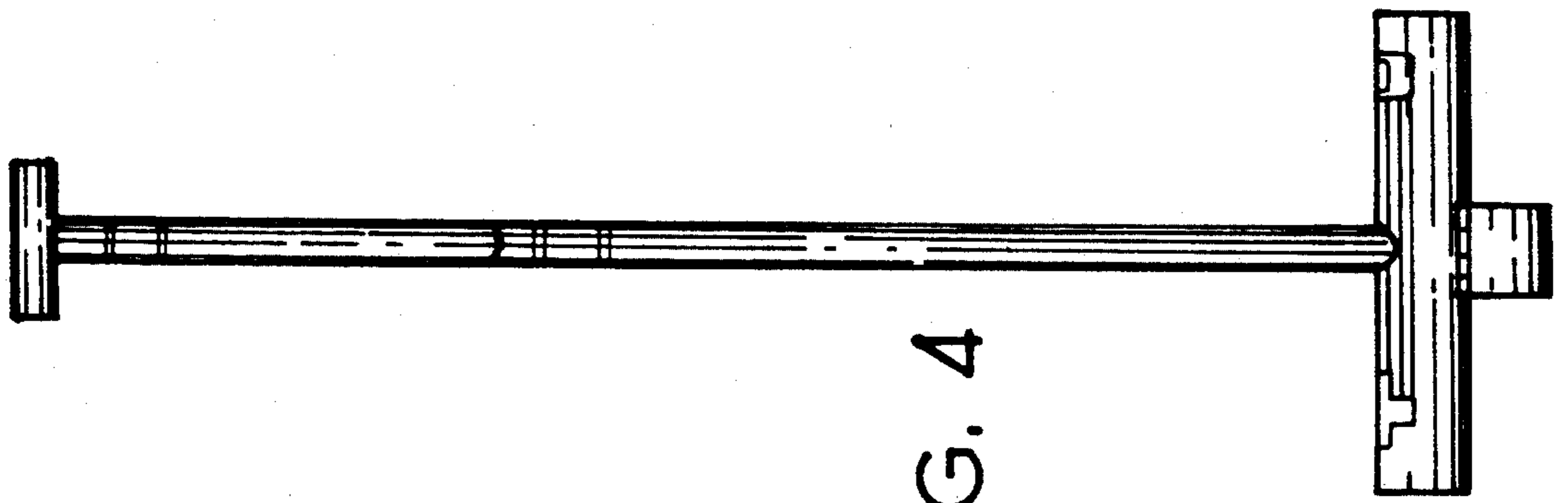


FIG. 4

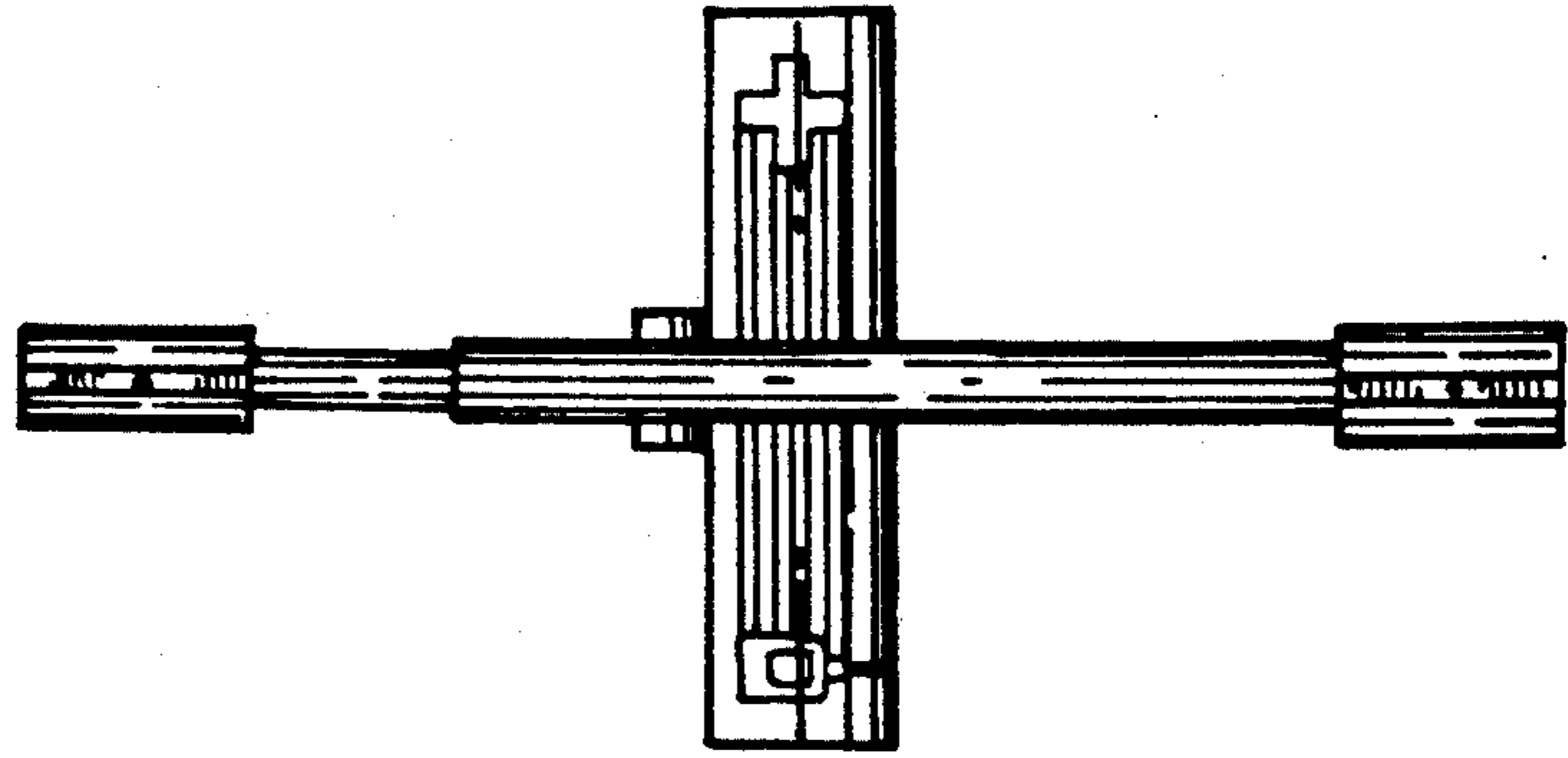


FIG. 6

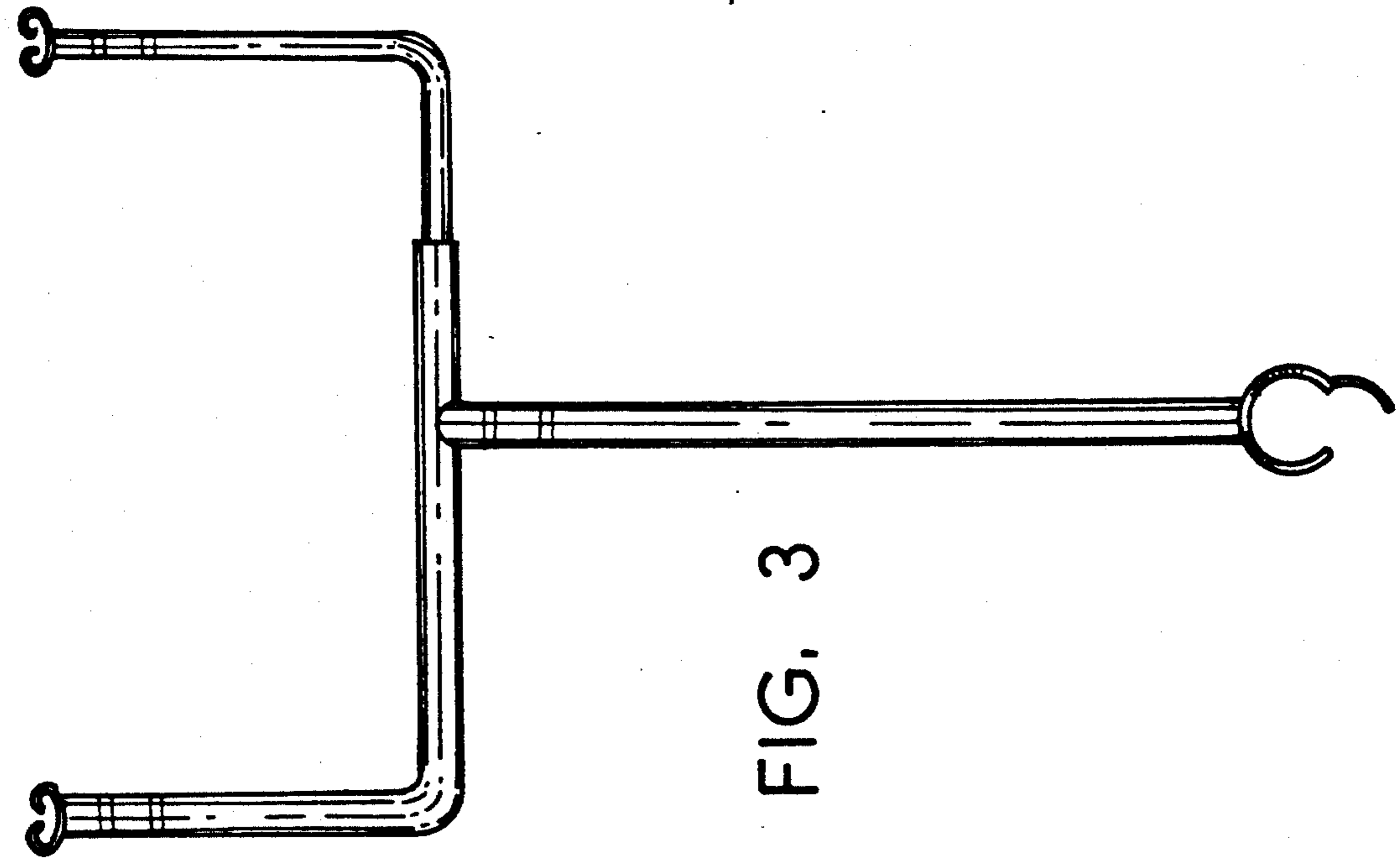


FIG. 3

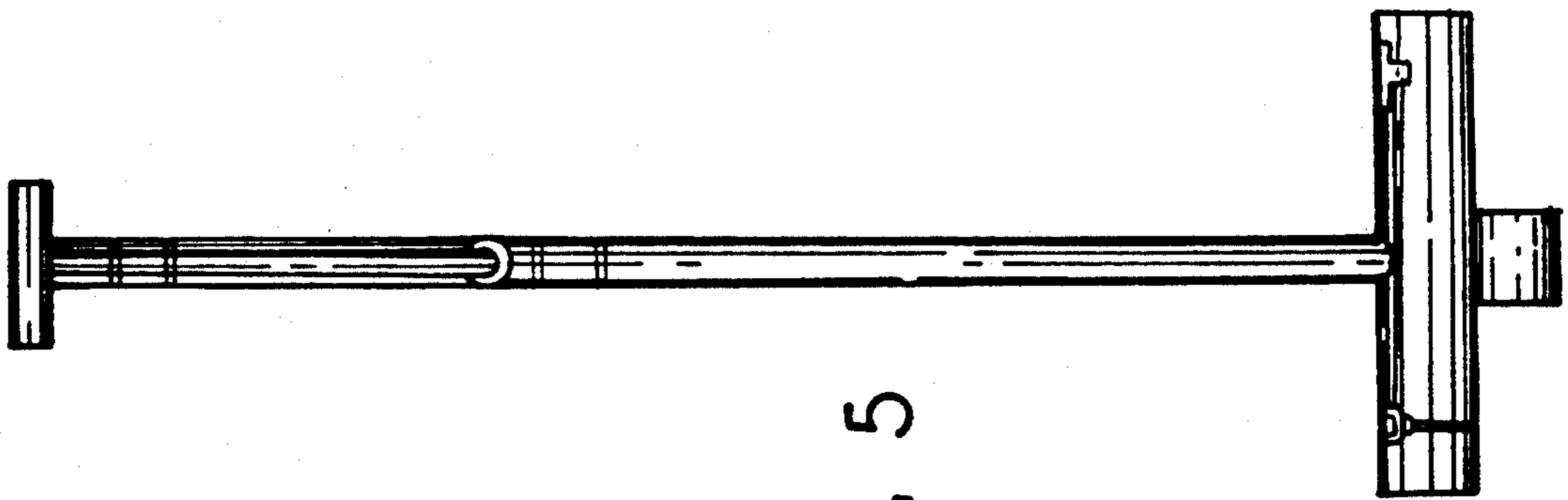


FIG. 5

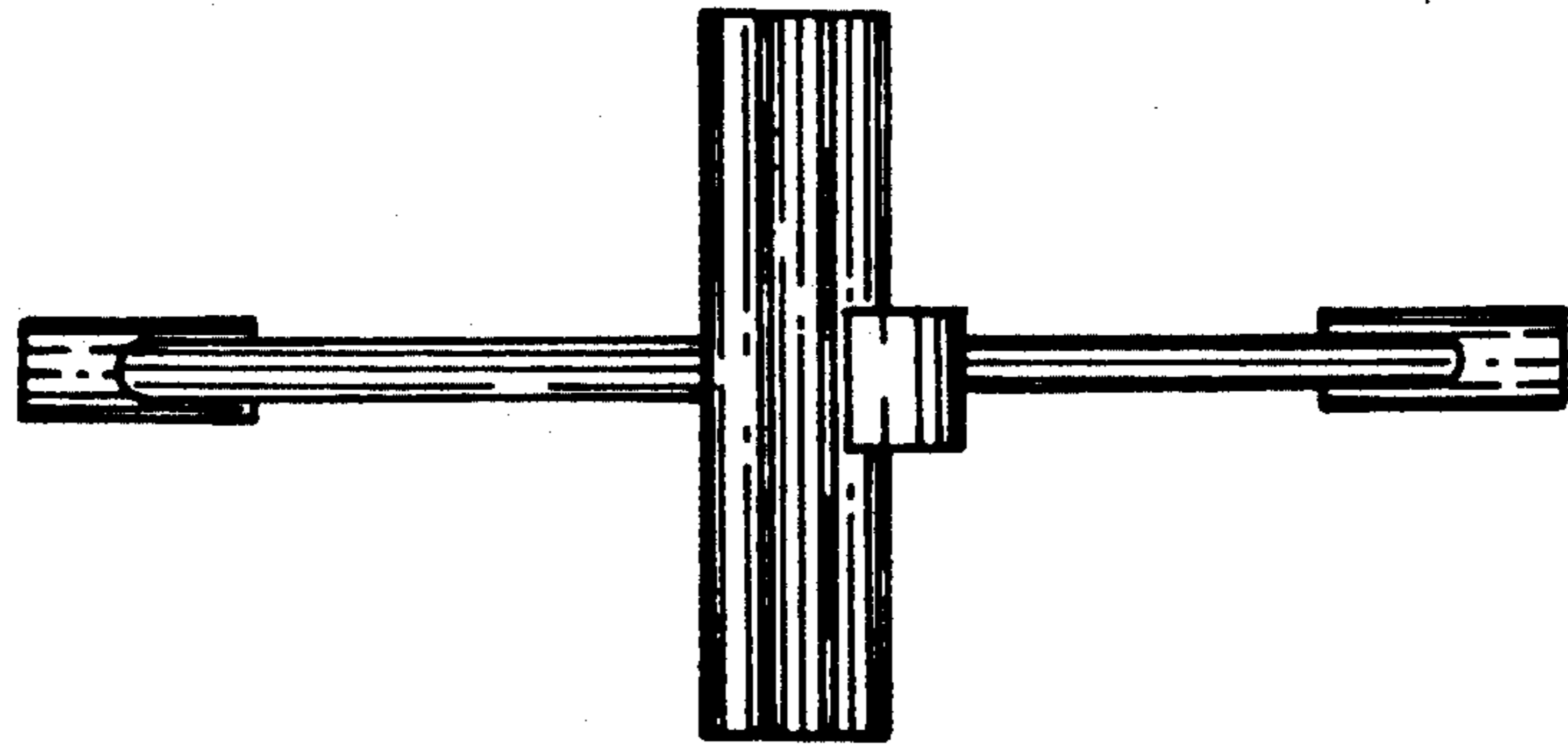


FIG. 7