



US00D339194S

# United States Patent [19]

[11] Patent Number: Des. 339,194

Telang et al.

[45] Date of Patent: \*\* Sep. 7, 1993

[54] PRESSURE CONTROL MODULE

[75] Inventors: Anil M. Telang, Saugus; Leroy R. Lambert, Studio City, both of Calif.

[73] Assignee: Baxter International Inc., Deerfield, Ill.

[\*\*] Term: 14 Years

[21] Appl. No.: 660,593

[22] Filed: Feb. 25, 1991

[52] U.S. Cl. .... D24/117; D10/85; D24/108

[58] Field of Search ..... D24/107, 108, 111, 117, D24/118, 121; D10/85; 604/119, 379, 321

[56] References Cited

U.S. PATENT DOCUMENTS

Re. 29,877	1/1979	Kurtz et al. .	
D. 298,279	10/1988	Lee et al. ....	D24/117
D. 299,751	2/1989	Hsei .....	D24/117
3,363,627	1/1968	Bidwell et al. .	
3,683,913	8/1972	Kurtz et al. .	
3,866,608	2/1975	Reynolds et al. .	
3,896,733	7/1975	Rosenberg .	
3,993,067	11/1976	Schachet et al. .	
4,006,745	2/1977	Sorenson et al. .	
4,014,329	3/1977	Welch et al. .	
4,015,603	4/1977	Kurtz et al. .	
4,018,224	4/1977	Kurtz et al. .	
4,033,345	7/1977	Sorenson et al. .	
4,047,526	9/1977	Reynolds et al. .	
4,058,123	11/1977	May .	
4,105,031	8/1978	Kurtz et al. .	
4,111,204	9/1978	Hessel .	
4,112,947	9/1978	Nehring .	
4,112,948	9/1978	Kurtz et al. .	
4,112,949	9/1978	Rosenthal et al. .	
4,195,633	4/1980	Nehring et al. .	
4,278,089	7/1981	Huck et al. .	
4,289,158	9/1981	Nehring .	
4,296,748	10/1981	Kurtz et al. .	
4,419,093	12/1983	Deaton .	
4,425,125	1/1984	Kurtz et al. .	
4,439,189	3/1984	Sargeant et al. .	

4,443,220	4/1984	Hauer et al. .	
4,445,884	5/1984	Kurtz et al. .	
4,453,937	6/1984	Kurtz et al. .	
4,465,483	8/1984	Weilbacher .	
4,468,226	8/1984	Kurtz et al. .	
4,469,484	9/1984	Kurtz et al. .	
4,484,908	11/1984	Kurtz et al. .	
4,487,606	12/1984	Leviton et al. .	
4,500,308	2/1985	Kurtz et al. .	
4,507,120	3/1985	Paradis .	
4,515,283	5/1985	Suzuki .	
4,516,973	5/1985	Telang .	
4,519,796	5/1985	Russo .	
4,522,623	6/1985	Lauterjung .	
4,540,413	9/1985	Russo .	
4,544,370	10/1985	Elliott et al. .	
4,564,359	1/1986	Ruhland .	
4,573,992	3/1986	Marx .	
4,578,060	3/1986	Huck et al. .	
4,619,647	10/1986	Kurtz et al. .	
4,631,050	12/1986	Reed et al. .	
4,650,477	3/1987	Johnson .	
4,772,256	9/1988	Lane et al. .	
4,781,707	11/1988	Boehringer et al. .	
4,798,578	1/1989	Ranford .	
4,838,872	6/1989	Sherlock .	
4,846,800	7/1989	Ouriel et al. .	
4,857,042	8/1989	Schneider .	
4,898,572	2/1990	Surugue nee Lasnier et al. .	
4,923,438	5/1990	Vasconcellos et al. .	

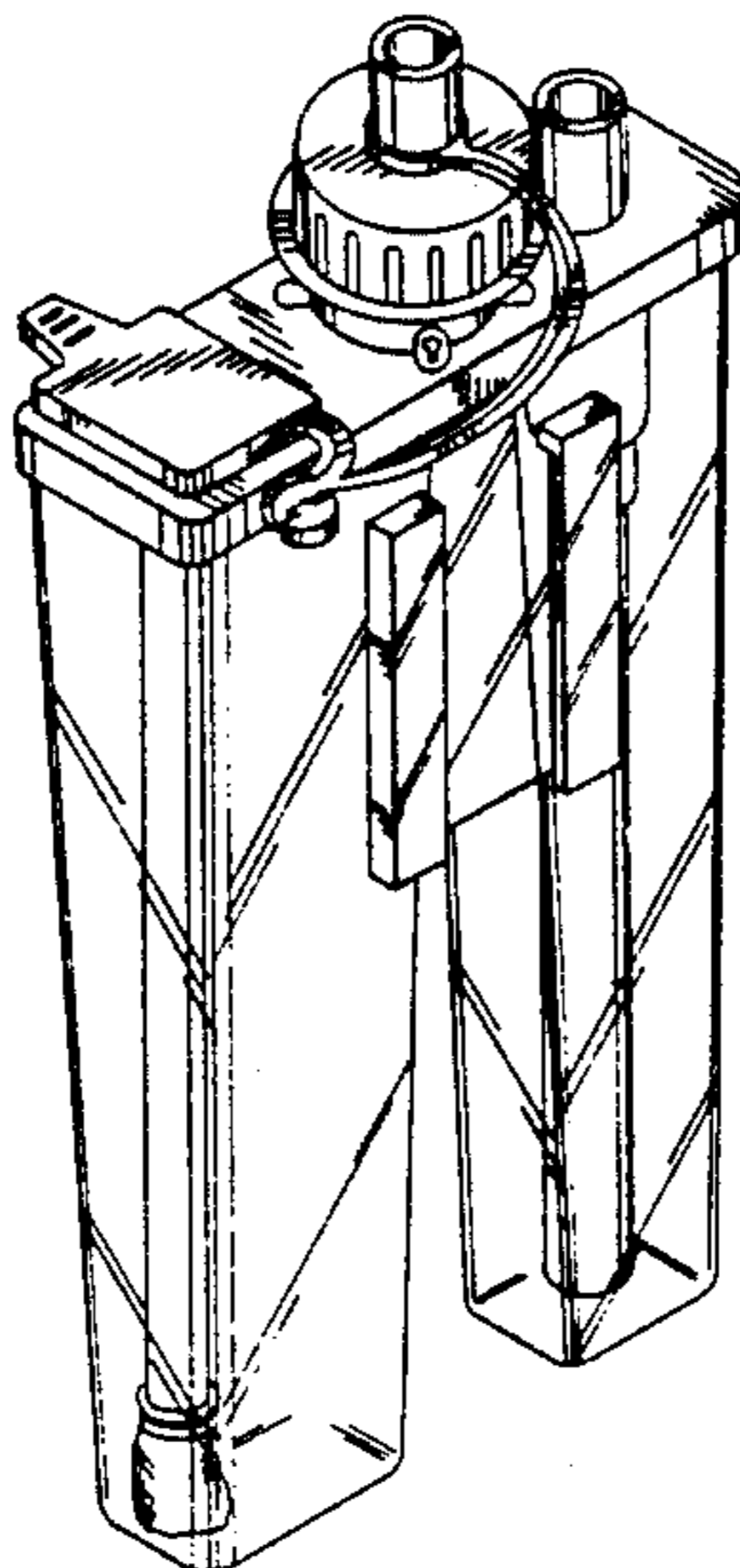
Primary Examiner—Alan P. Douglas  
Assistant Examiner—Antoine O. Davis  
Attorney, Agent, or Firm—Kay H. Pierce

[57] CLAIM

The ornamental design for a pressure control module, as shown and described.

DESCRIPTION

FIG. 1 is a front view of a pressure control module showing our new design;  
FIG. 2 is a perspective view of the module;  
FIG. 3 is a side view of the module;  
FIG. 4 is a top view of the module; and,  
FIG. 5 is a bottom view of the module.



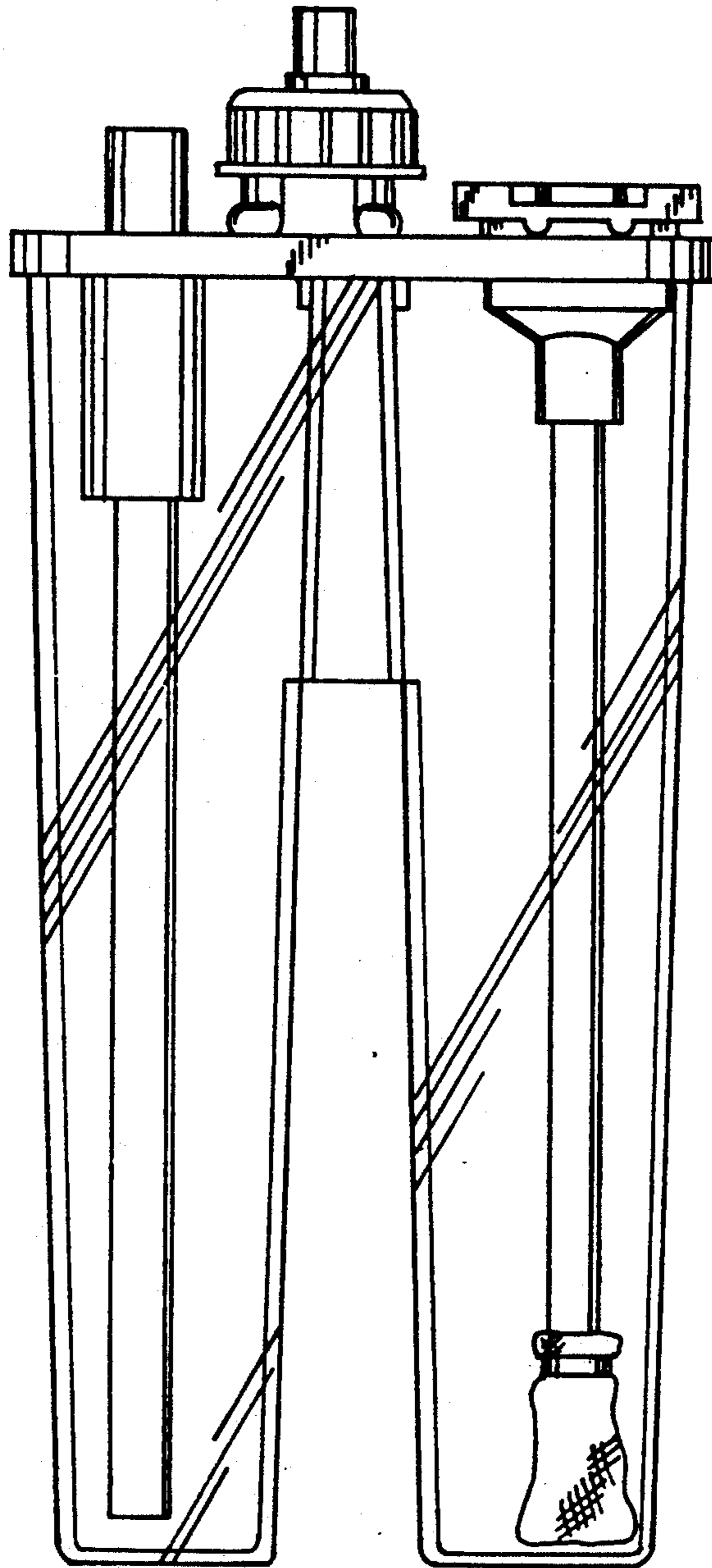


FIG. 1

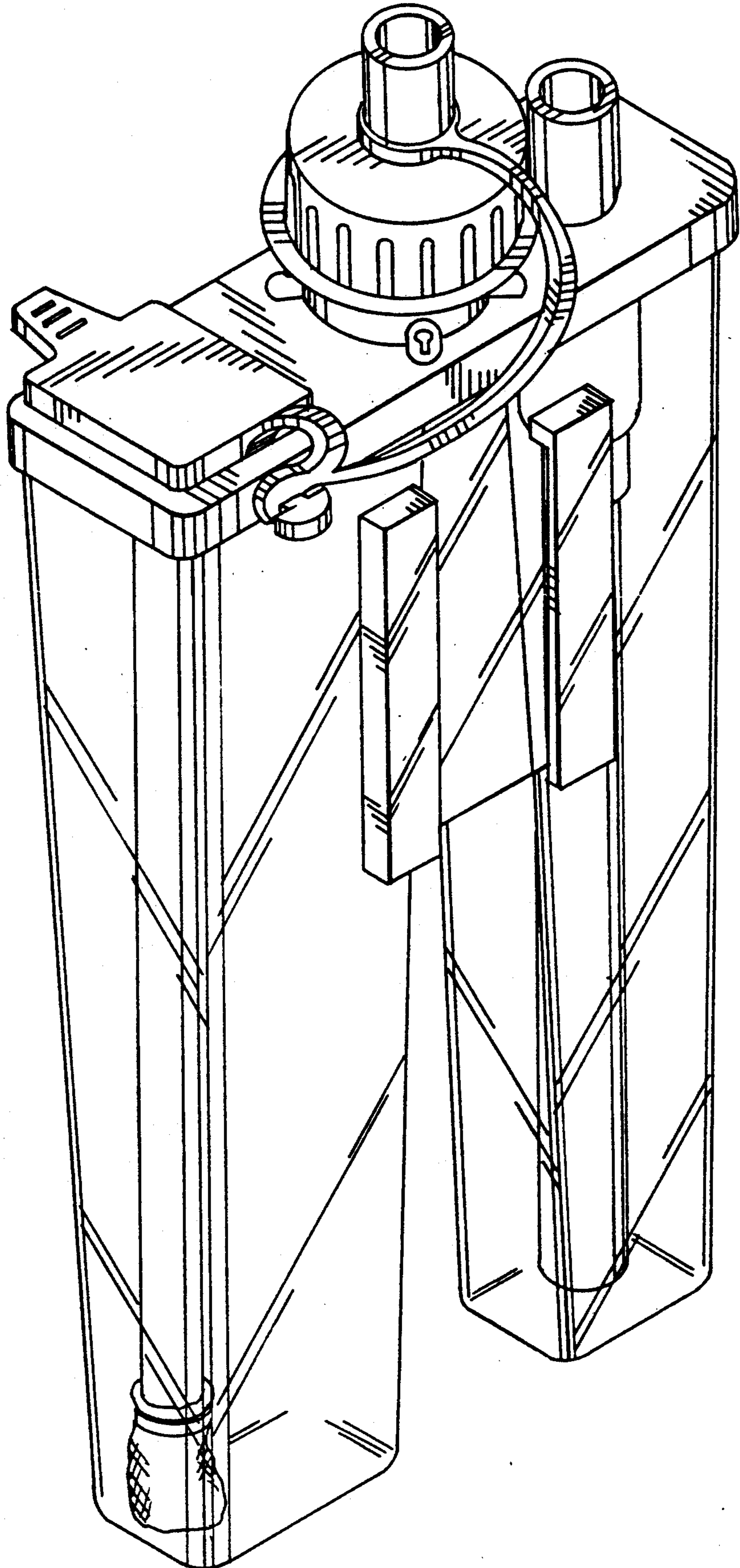


FIG. 2

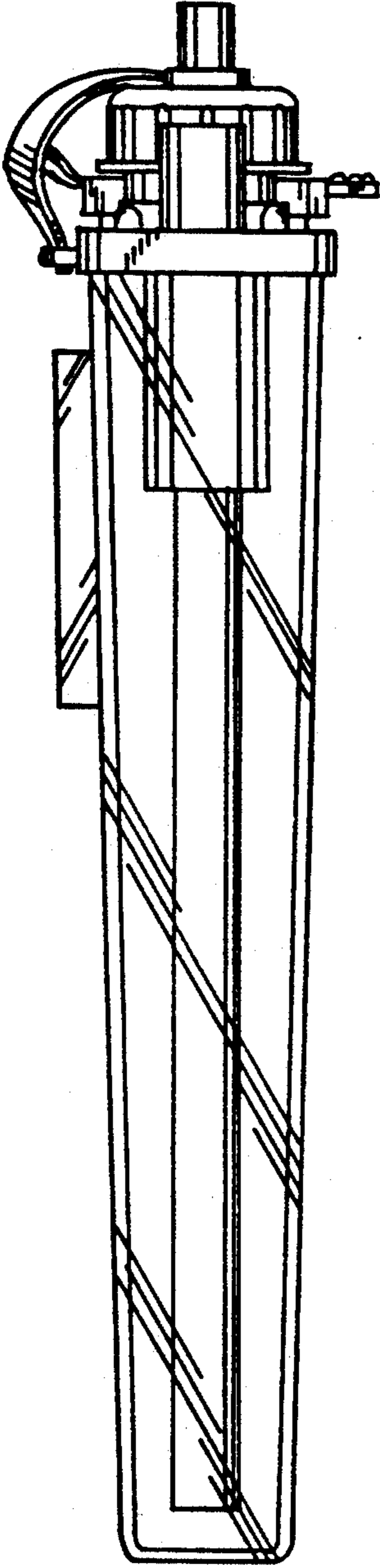


FIG. 3

FIG. 4

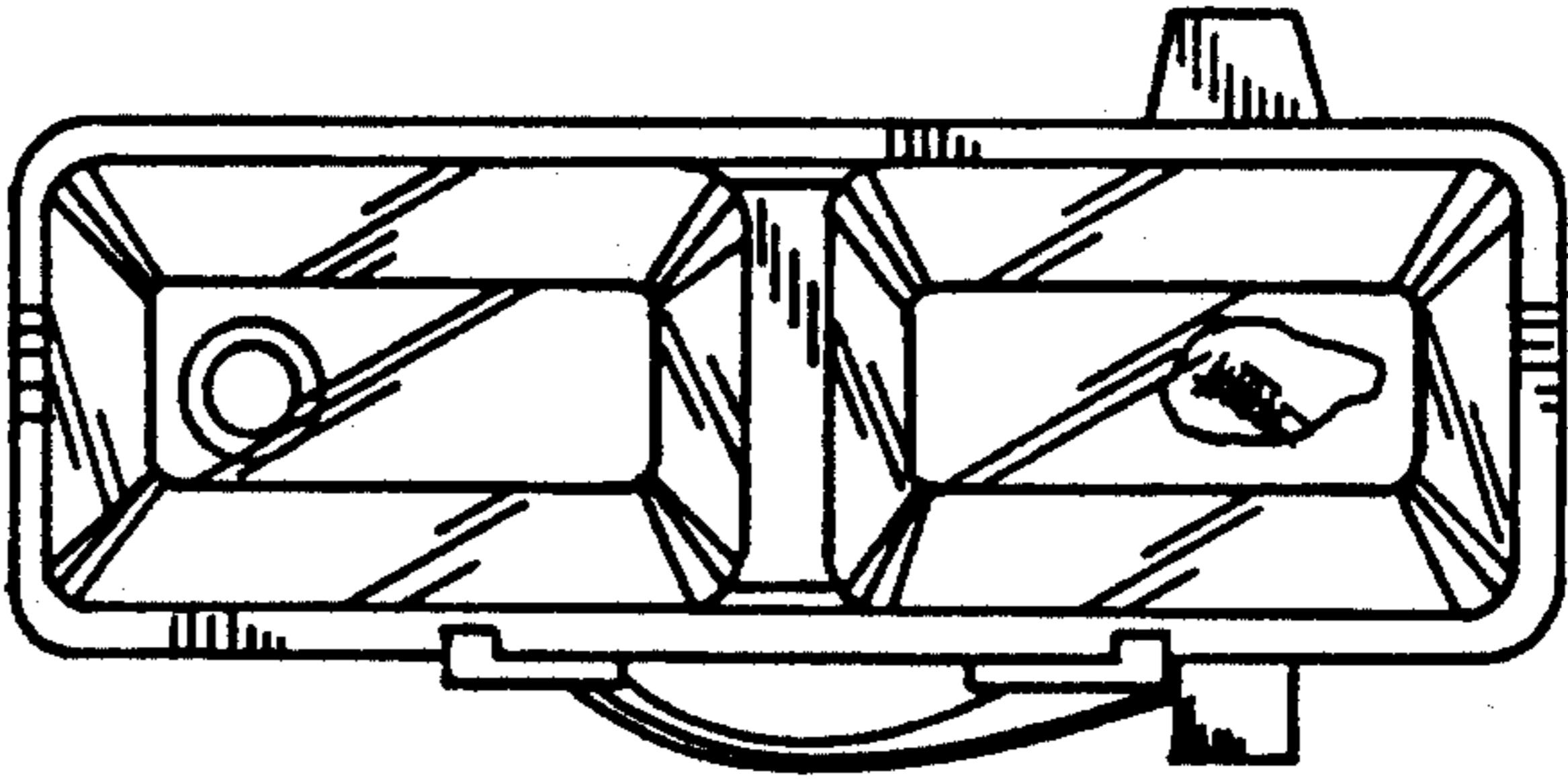
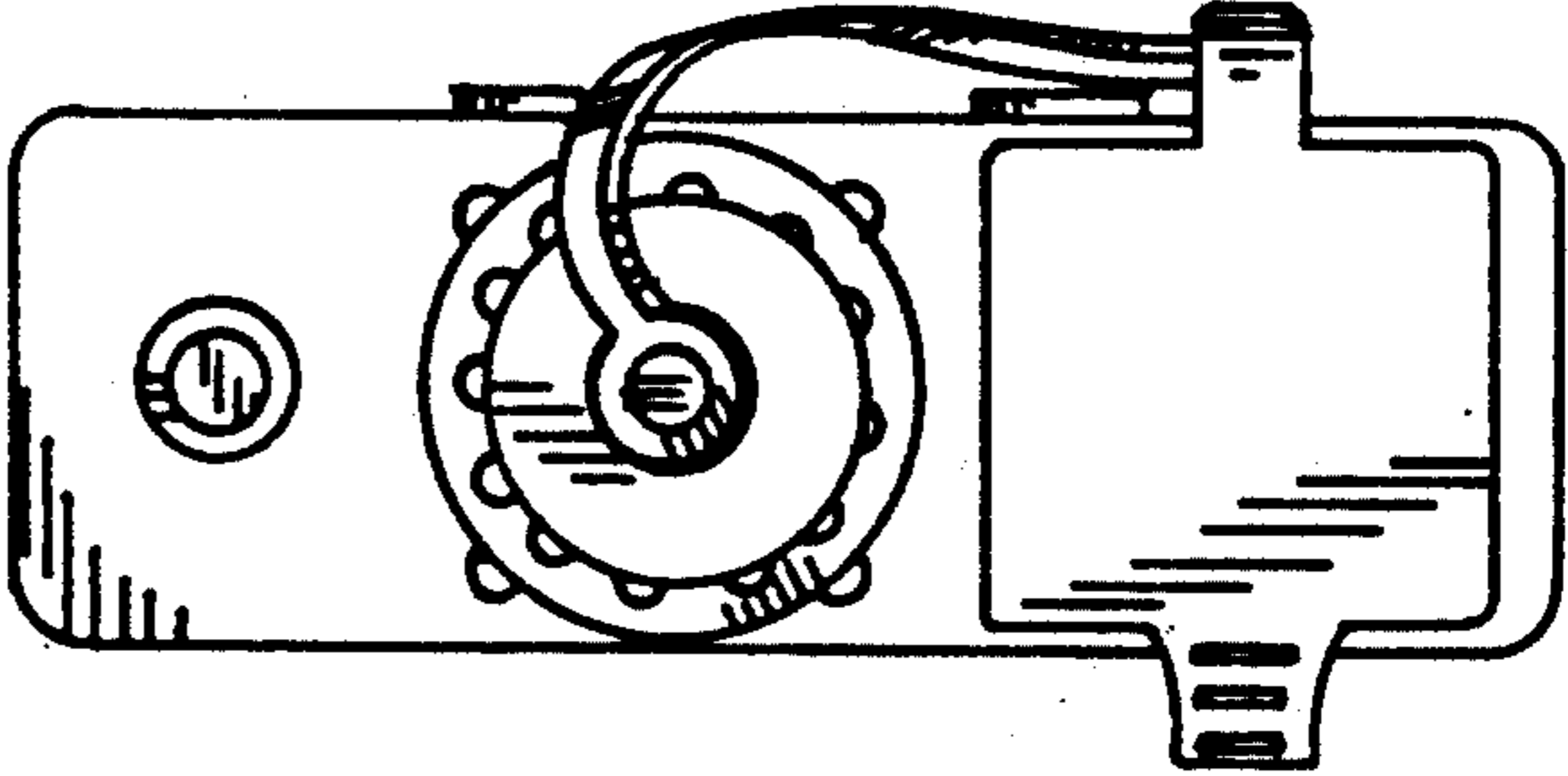


FIG. 5