



US00D339193S

# United States Patent [19]

[11] Patent Number: **Des. 339,193**

**Thompson et al.**

[45] Date of Patent: **\*\* Sep. 7, 1993**

[54] **PORTABLE INFUSION PUMP**

[75] Inventors: **John Thompson, Rancho Santa Margarita; Giorgio di Palma, Ramona; Charles R. Botts, San Diego, all of Calif.**

[73] Assignee: **Imed Corporation, San Diego, Calif.**

[\*\*] Term: **14 Years**

[21] Appl. No.: **761,616**

[22] Filed: **Sep. 18, 1991**

[52] U.S. Cl. .... **D24/111; D24/108**

[58] Field of Search ..... **D24/108, 111, 115, 121, D24/224; D9/545, 549, 500, 516; 128/DIG. 12, DIG. 13; 604/123, 150, 151, 153; D15/7**

[56] **References Cited**

**U.S. PATENT DOCUMENTS**

- D. 287,277 12/1986 Kosako et al. .... D24/111
- D. 307,798 5/1990 Elsworth ..... D24/110

- D. 324,911 3/1992 Sancioff et al. .... D24/111
- 3,172,577 3/1965 Hartung ..... D24/115 X
- 4,529,402 7/1985 Weilbacher et al. .... D24/111 X
- 4,539,005 9/1985 Greenblatt ..... 128/DIG. 12 X
- 5,090,963 2/1992 Gross et al. .... 128/DIG. 12 X
- 5,178,010 1/1993 Tsujikawa et al. .... 128/DIG. 12 X

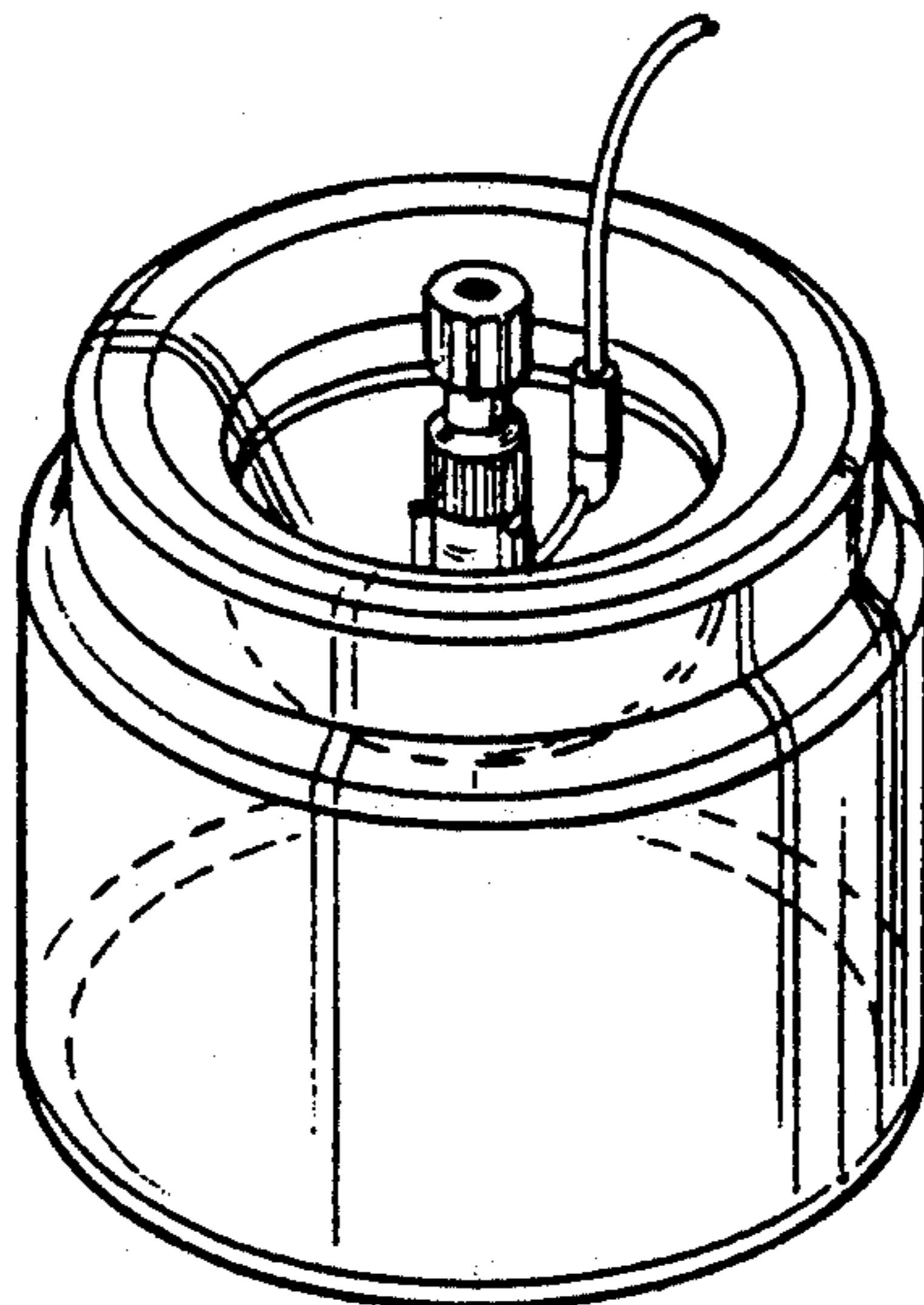
*Primary Examiner*—A. Hugo Word  
*Assistant Examiner*—I. Simmons  
*Attorney, Agent, or Firm*—Neil K. Nydegger

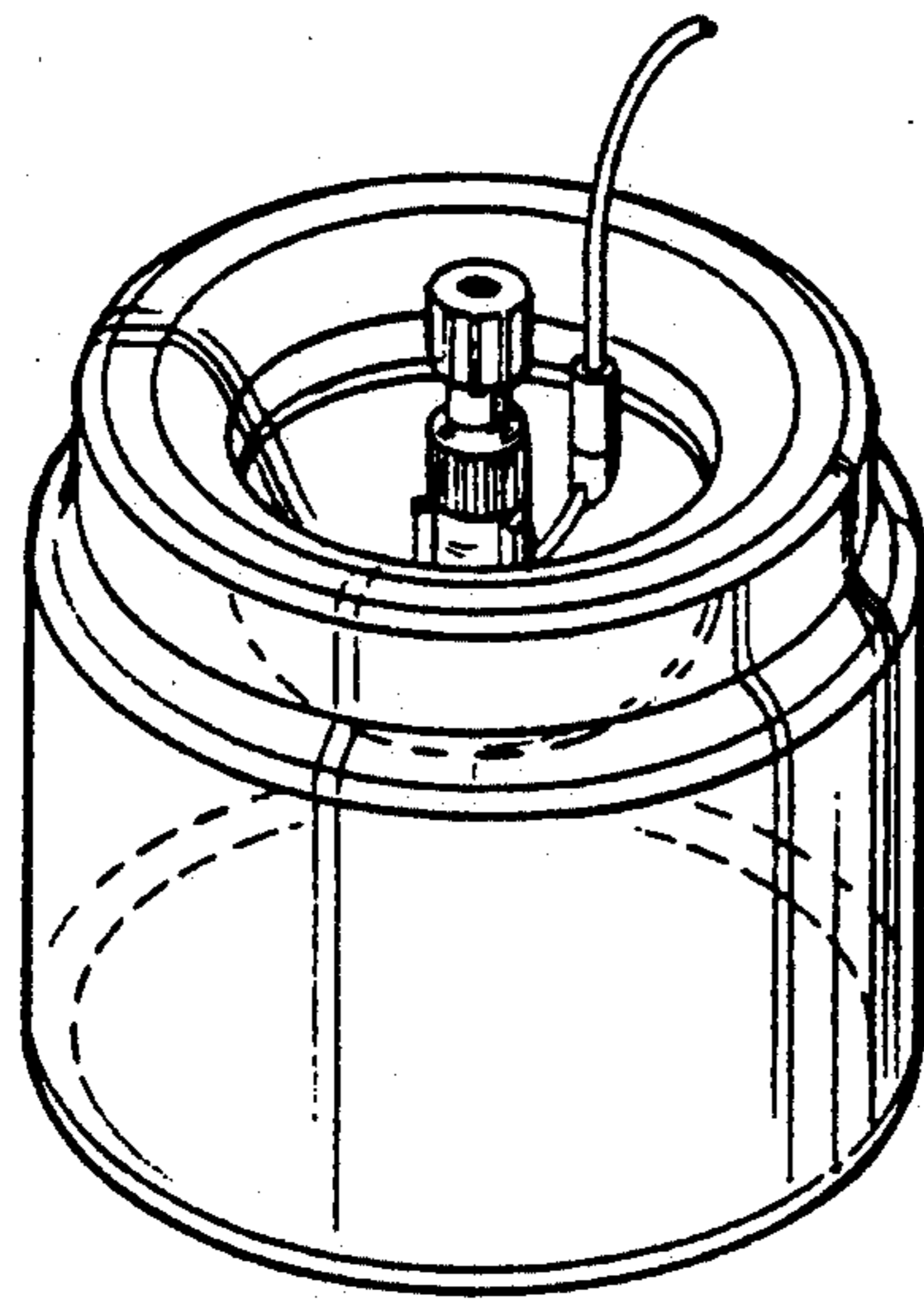
[57] **CLAIM**

The ornamental design for a portable infusion pump, as shown and described.

**DESCRIPTION**

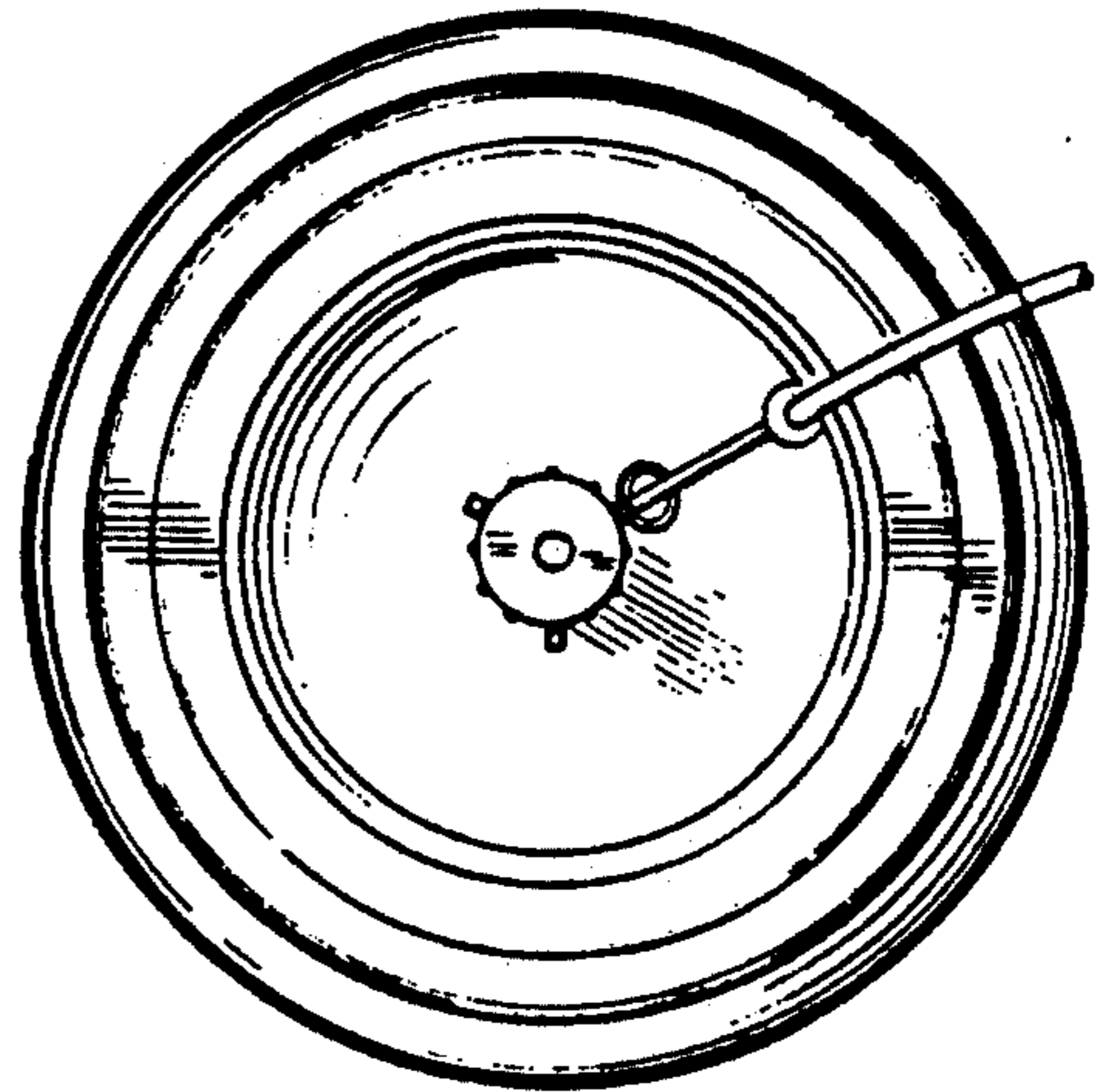
FIG. 1 is a perspective view of a portable infusion pump according to the present invention; FIG. 2 is a top plan view thereof; FIG. 3 is a side elevational view thereof the opposite side elevational view being identical thereto; and, FIG. 4 is a bottom view thereof.



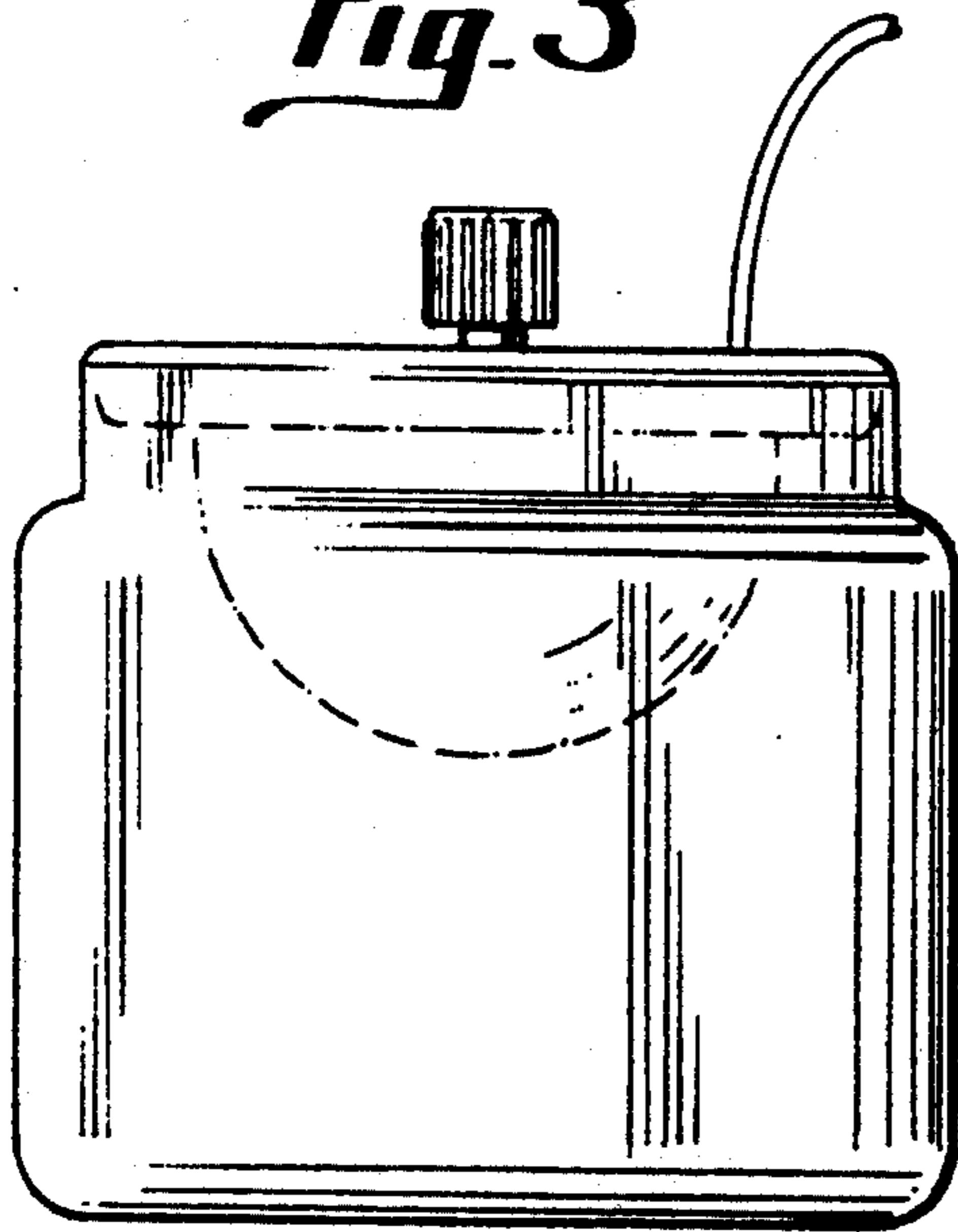


*Fig. 1*

*Fig. 2*



*Fig. 3*



*Fig. 4*

