



US00D339191S

United States Patent [19]

[11] Patent Number: **Des. 339,191**

Vieyra

[45] Date of Patent: **** Sep. 7, 1993**

[54] **CEILING FAN**

FOREIGN PATENT DOCUMENTS

[75] Inventor: **Manny Vieyra, Los Angeles, Calif.**

2069622 8/1981 United Kingdom 416/5

[73] Assignee: **Forecast Lighting Co., Inglewood, Calif.**

OTHER PUBLICATIONS

Winnower Fan Co., Inc. Cat., p. 11, Revere Fan.
Nutone Fan Cat., p. C8, Verandah Paddle Fan, top
right side of page, Fan A, upper right side of page.

[**] Term: **14 Years**

Primary Examiner—Wallace R. Burke
Assistant Examiner—Lisa Lichtenstein
Attorney, Agent, or Firm—Brown, Martin, Haller &
McClain

[21] Appl. No.: **839,490**

[22] Filed: **Feb. 20, 1992**

[57] CLAIM

[52] U.S. Cl. **D23/377; D23/379;
D23/385**

The ornamental design for a ceiling fan, as shown and
described.

[58] Field of Search **D23/377, 379, 385, 413,
D23/411; 392/364; 416/5, 87**

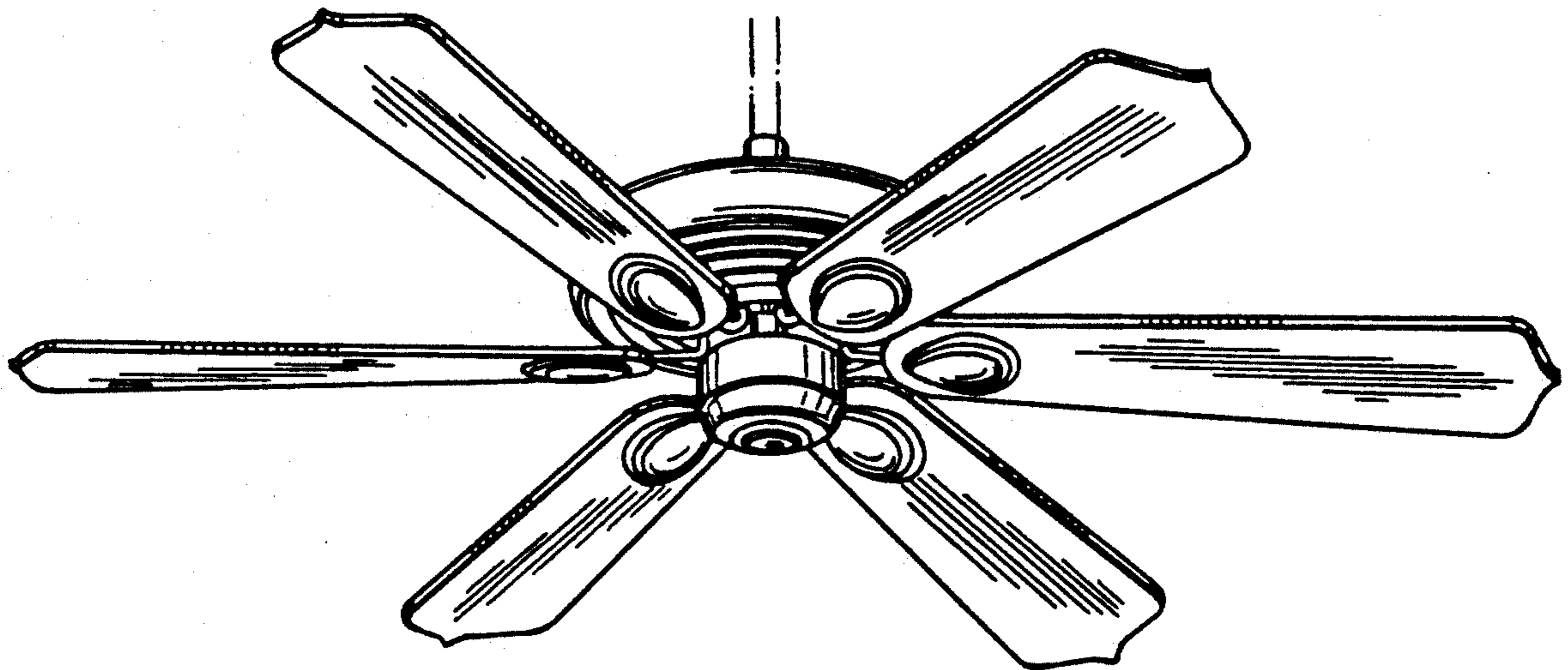
DESCRIPTION

[56] References Cited

U.S. PATENT DOCUMENTS

1,361,785 12/1920 Tucker 416/87
1,583,864 5/1926 Tucker 416/87

FIG. 1 is a perspective view from below of a ceiling fan,
showing my new design;
FIG. 2 is a side elevational view thereof, the opposite
side being similar;
FIG. 3 is a top plan view thereof; and,
FIG. 4 is a bottom plan view thereof.



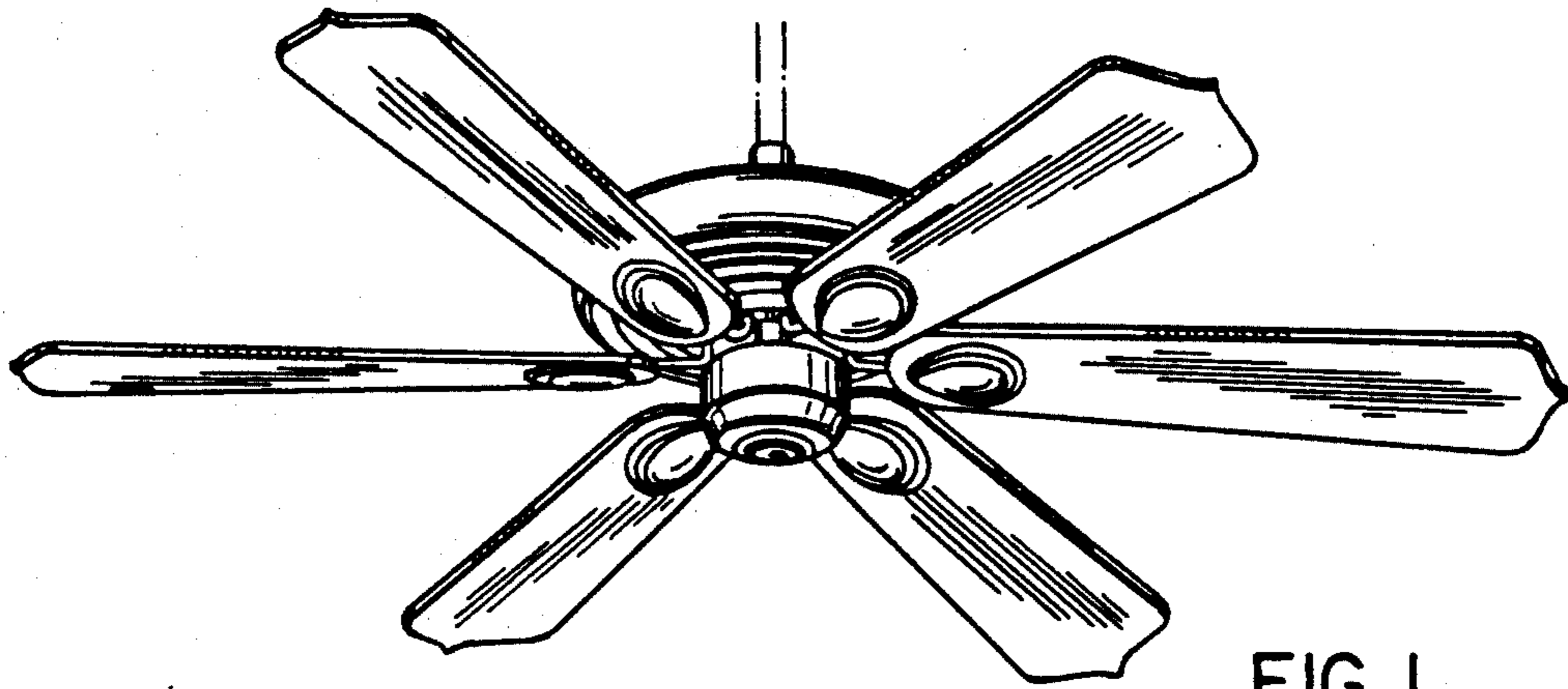


FIG. 1

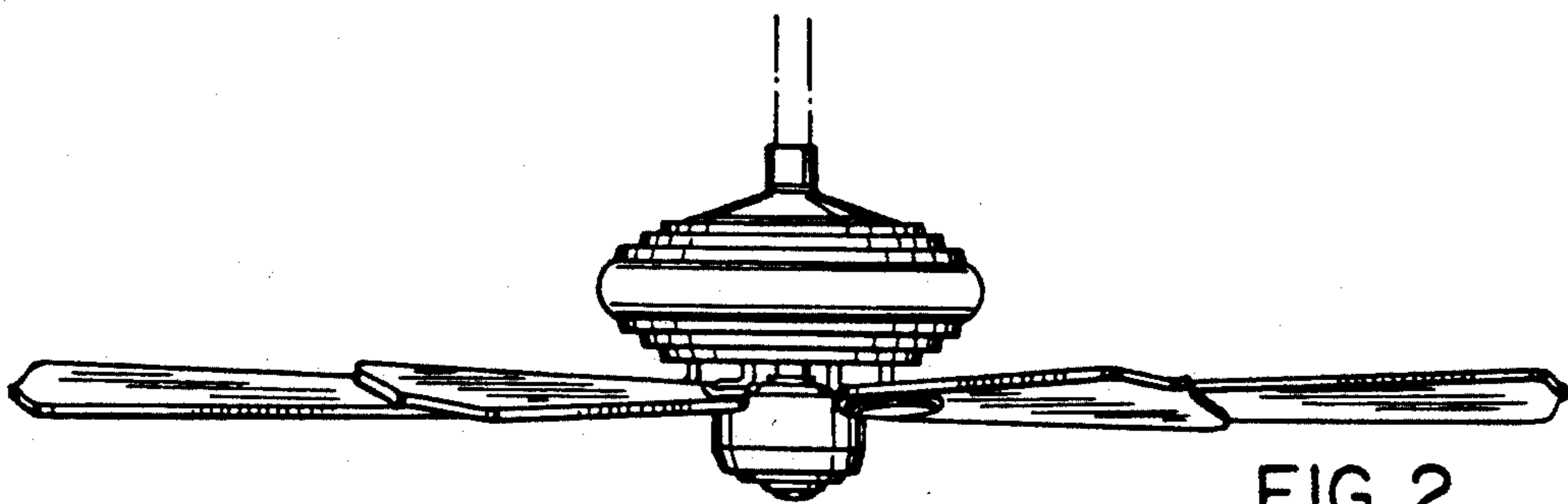


FIG. 2

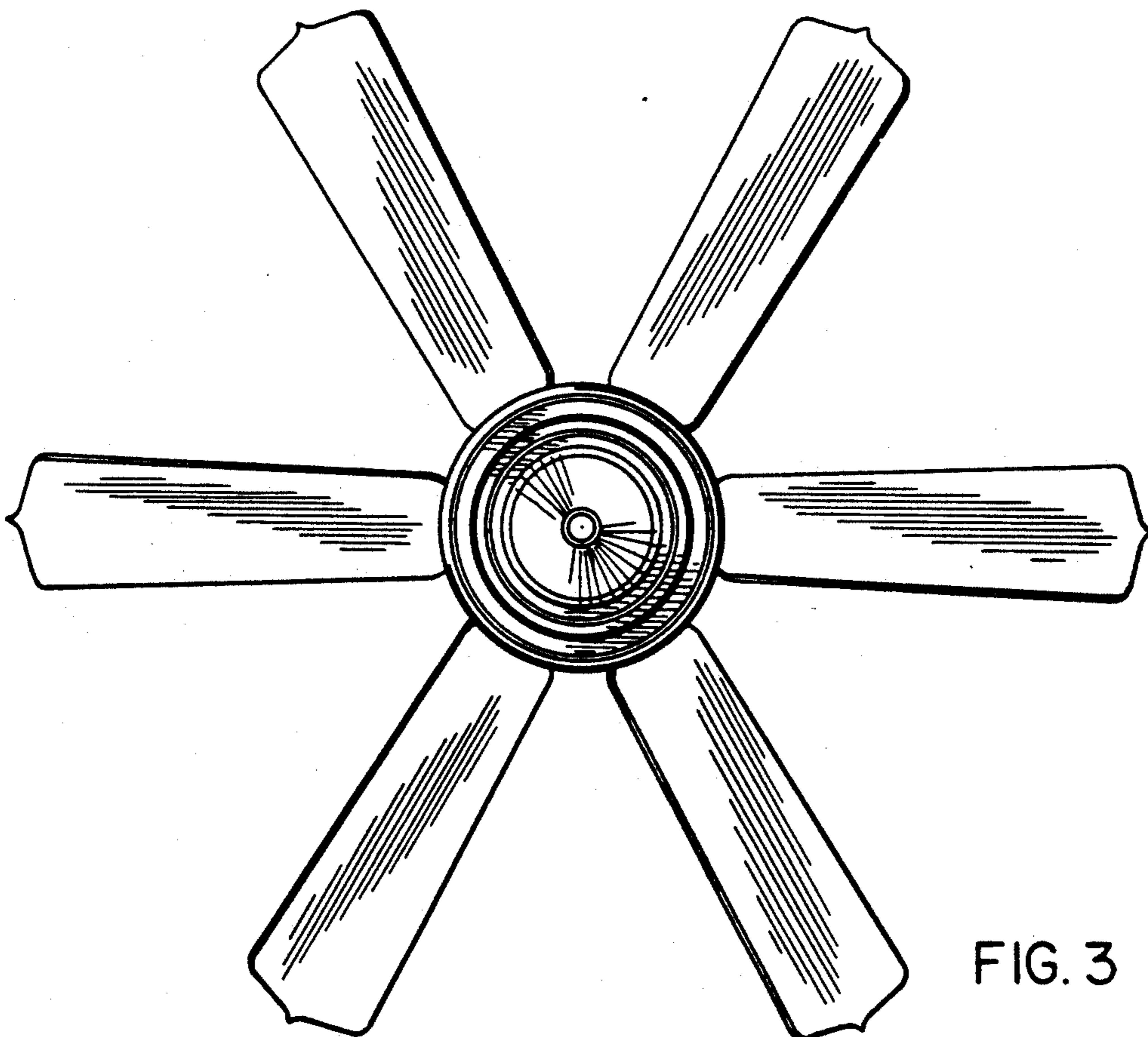


FIG. 3

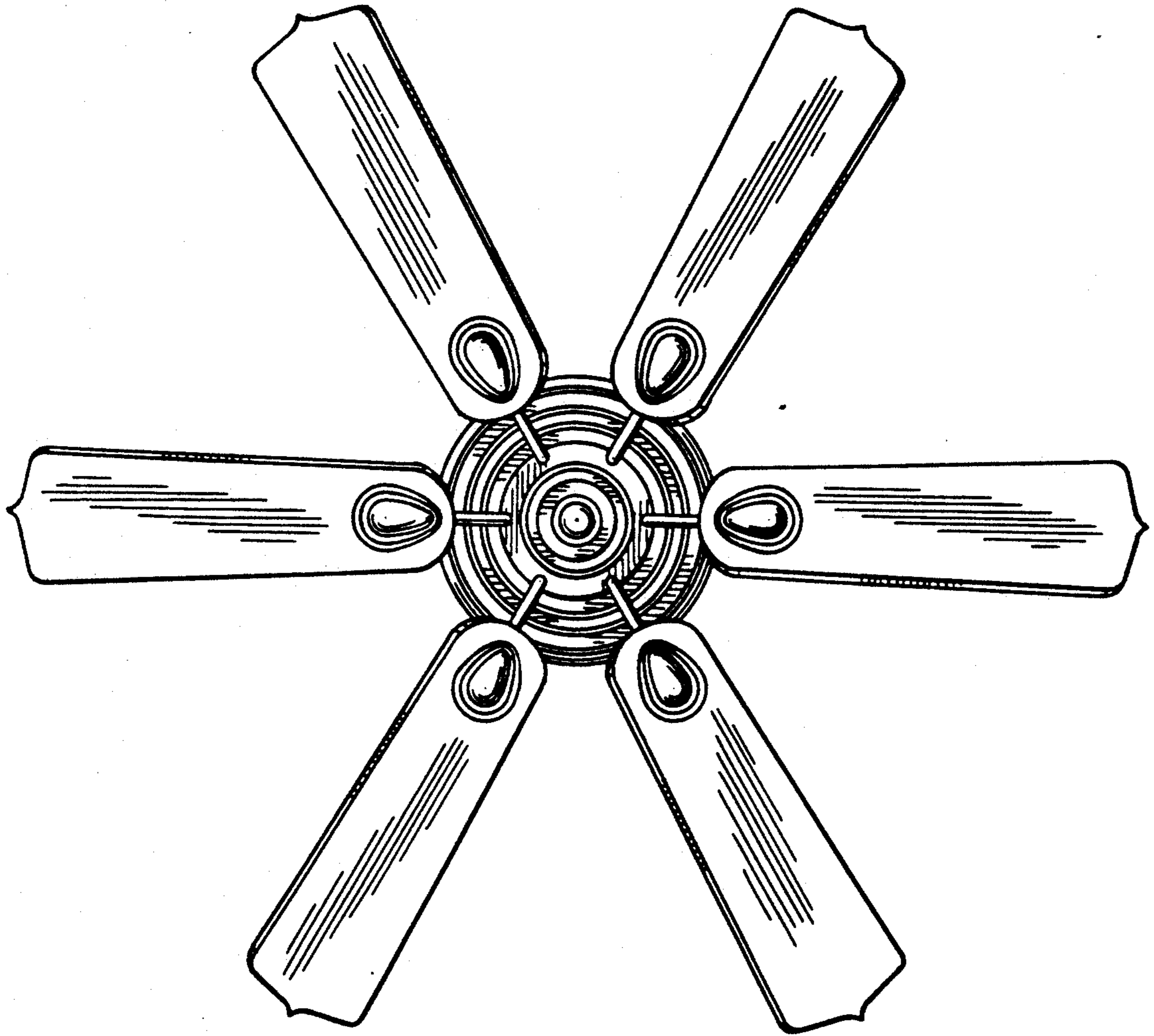


FIG. 4