



US00D339189S

United States Patent [19]

[11] Patent Number: **Des. 339,189**

Nilsson

[45] Date of Patent: **** Sep. 7, 1993**

[54] **WATER DISTRIBUTOR FOR A SNOW PRODUCTION CANNON**

5,004,151 4/1991 Dupre 239/2.2

[75] Inventor: **Lennart Nilsson, Ostersund, Sweden**

Primary Examiner—Wallace R. Burke

Assistant Examiner—M. H. Tung

[73] Assignee: **Lenko, Ostersund, Sweden**

Attorney, Agent, or Firm—Young & Thompson

[**] Term: **14 Years**

[57] **CLAIM**

[21] Appl. No.: **731,012**

The ornamental design for a water distributor for a snow production cannon, as shown and described.

[22] Filed: **Jul. 16, 1991**

DESCRIPTION

[30] **Foreign Application Priority Data**

Jan. 28, 1991 [CH] Switzerland 91-0177

[52] U.S. Cl. **D23/213**

[58] Field of Search D23/200. 213; 239/2.2, 239/14.2, 402, 428, 430, 433

FIG. 1 is a perspective view of a water distributor for a snow production cannon, showing my new design;

FIG. 2 is a side elevational view thereof;

FIG. 3 is a side elevational view thereof from the left of FIG. 2;

FIG. 4 is a side elevational view thereof from the side opposite that shown in FIG. 2;

FIG. 5 is a side elevational view thereof from the left of FIG. 4;

FIG. 6 is a top plan view thereof;

FIG. 7 is a bottom plan view thereof; and,

FIG. 8 is a view similar to FIG. 2, but with a filter unit contained therein partially extended.

[56] **References Cited**

U.S. PATENT DOCUMENTS

3,952,949 4/1976 Dupre 239/2.2

3,969,908 7/1976 Lawless et al. 239/2.2 X

4,911,362 3/1990 Delich 239/2.2

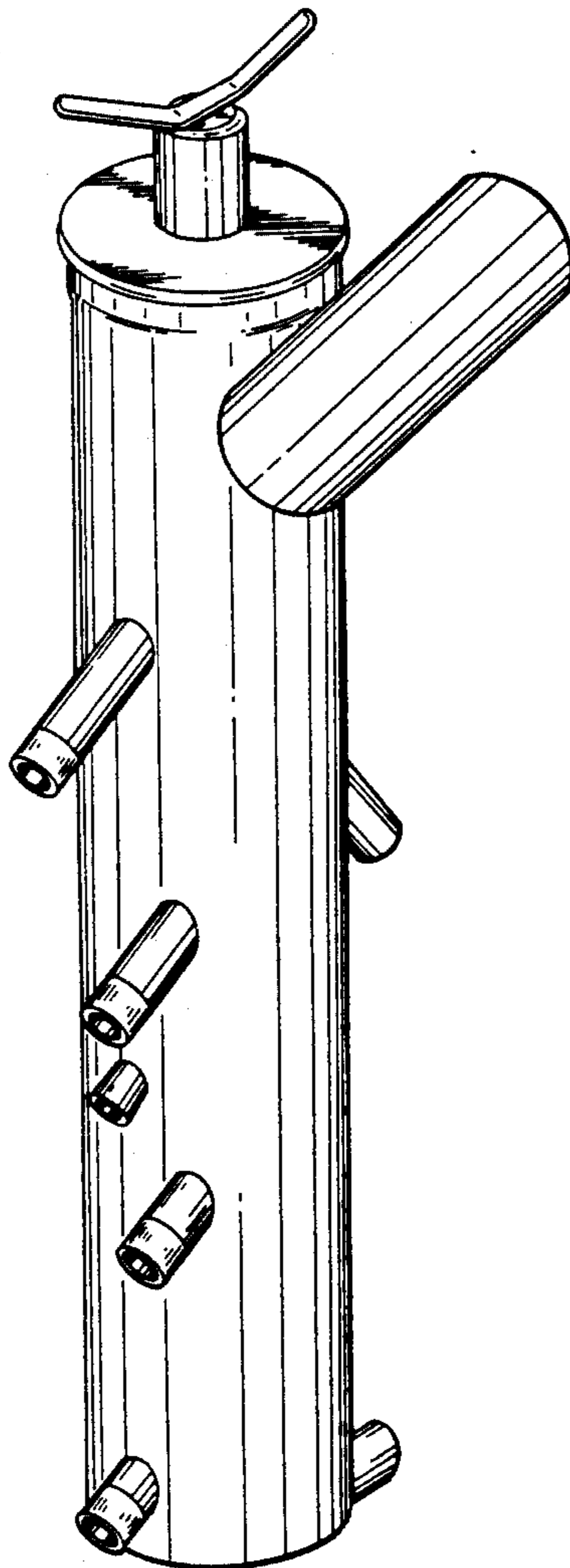


FIG. 1

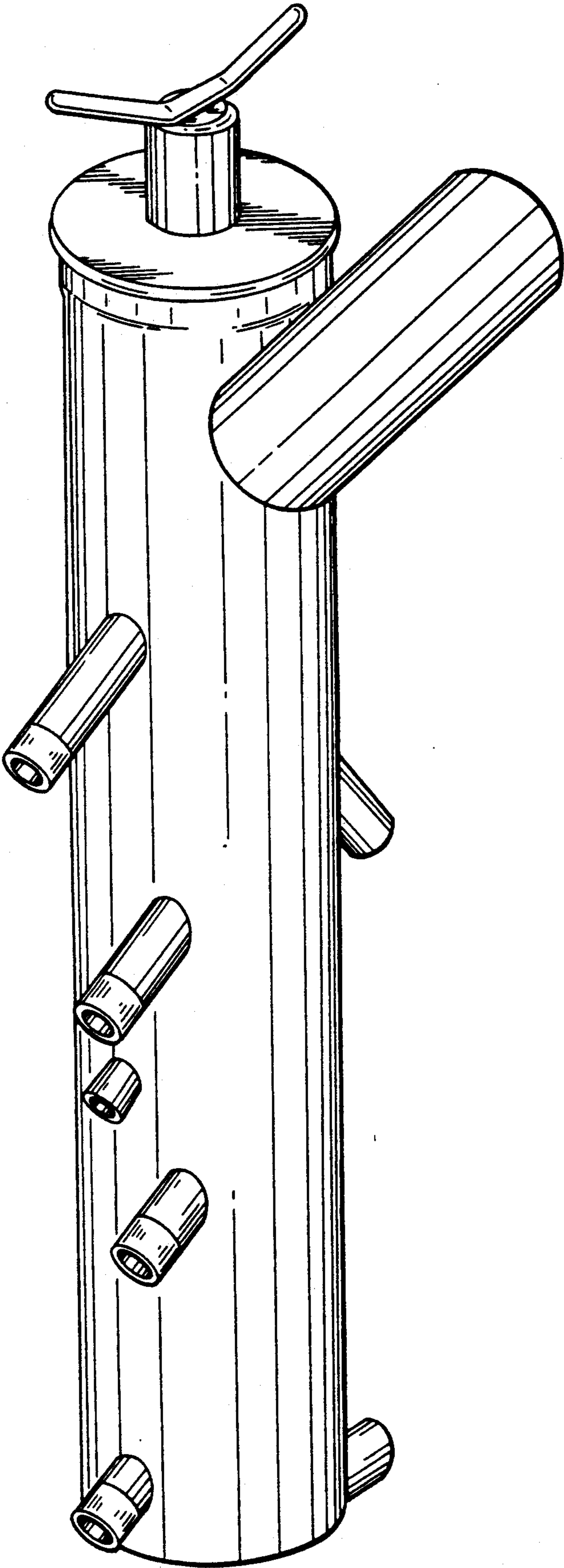


FIG. 2

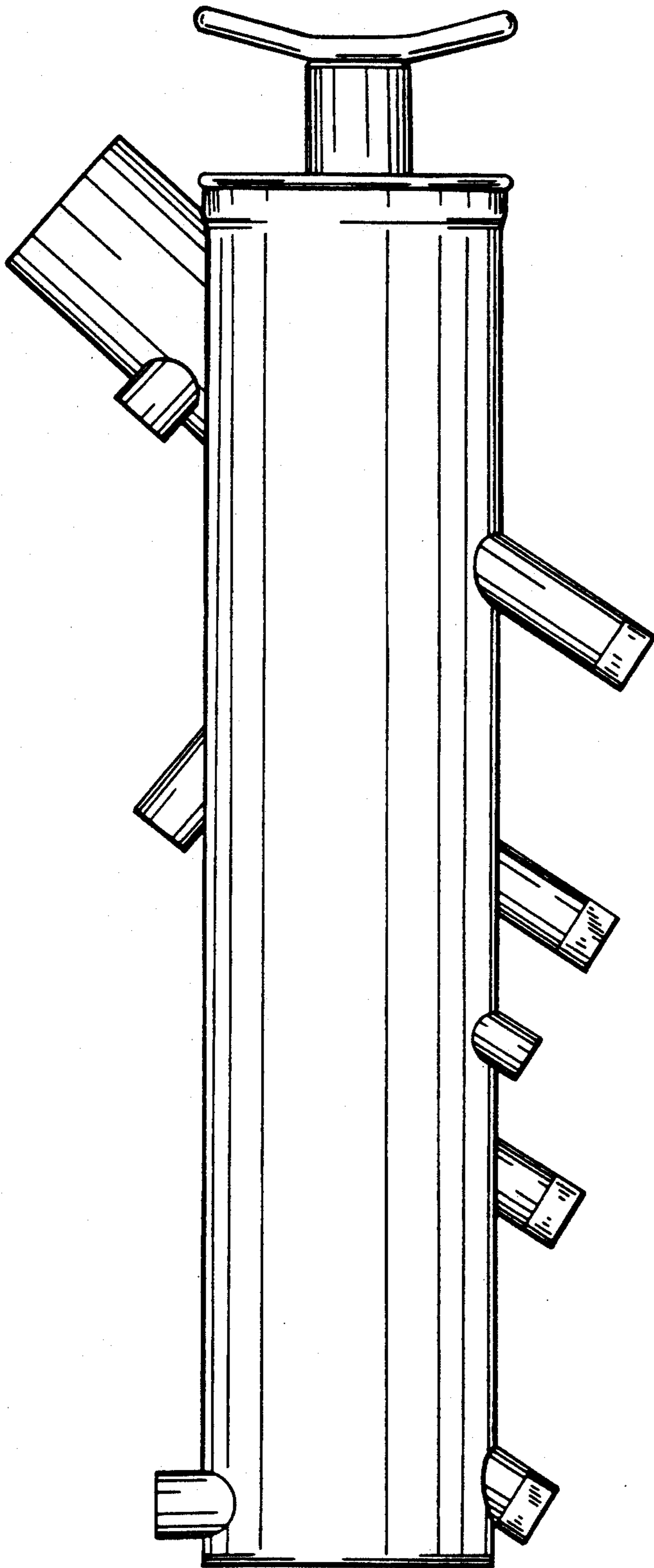


FIG. 3

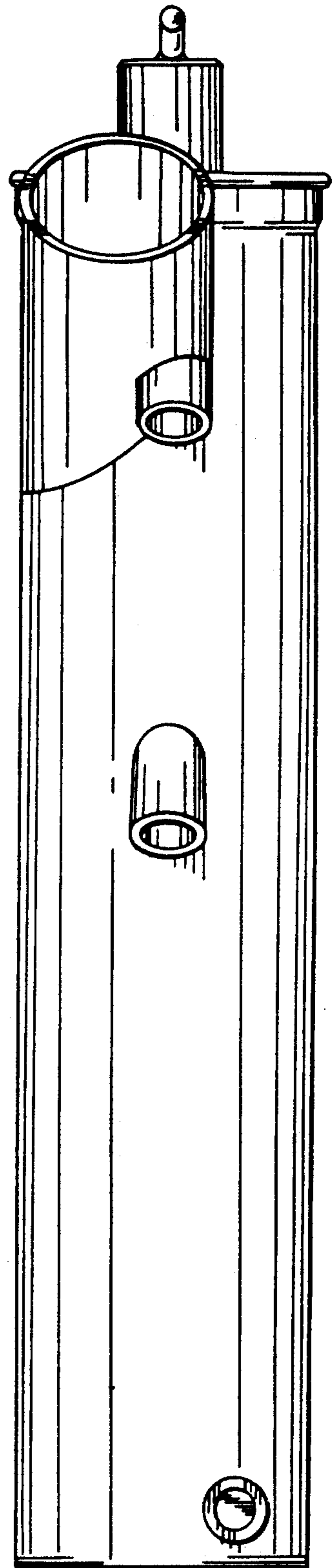


FIG. 4

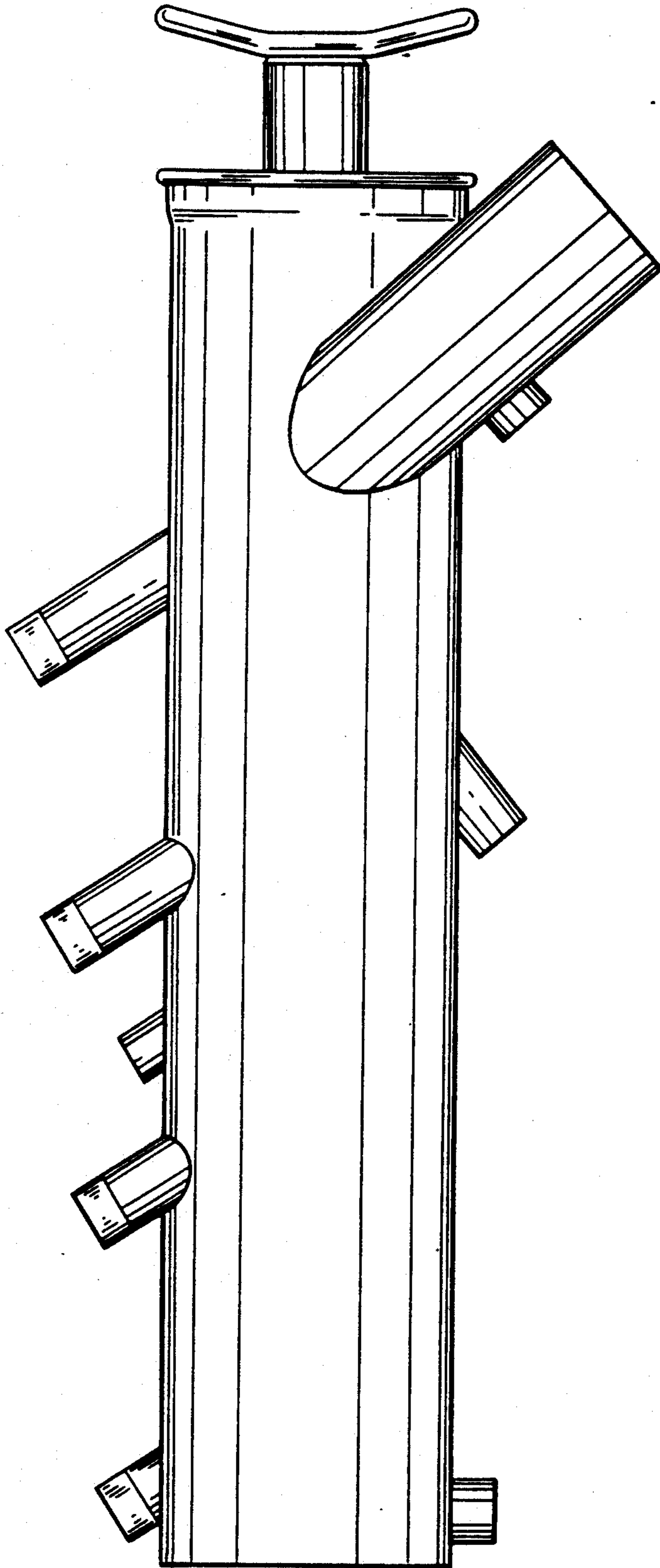
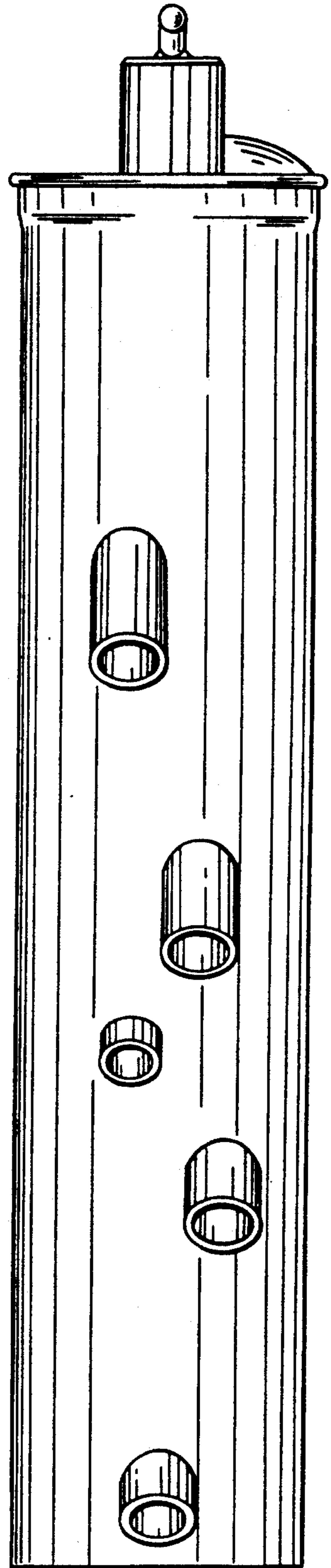


FIG. 5



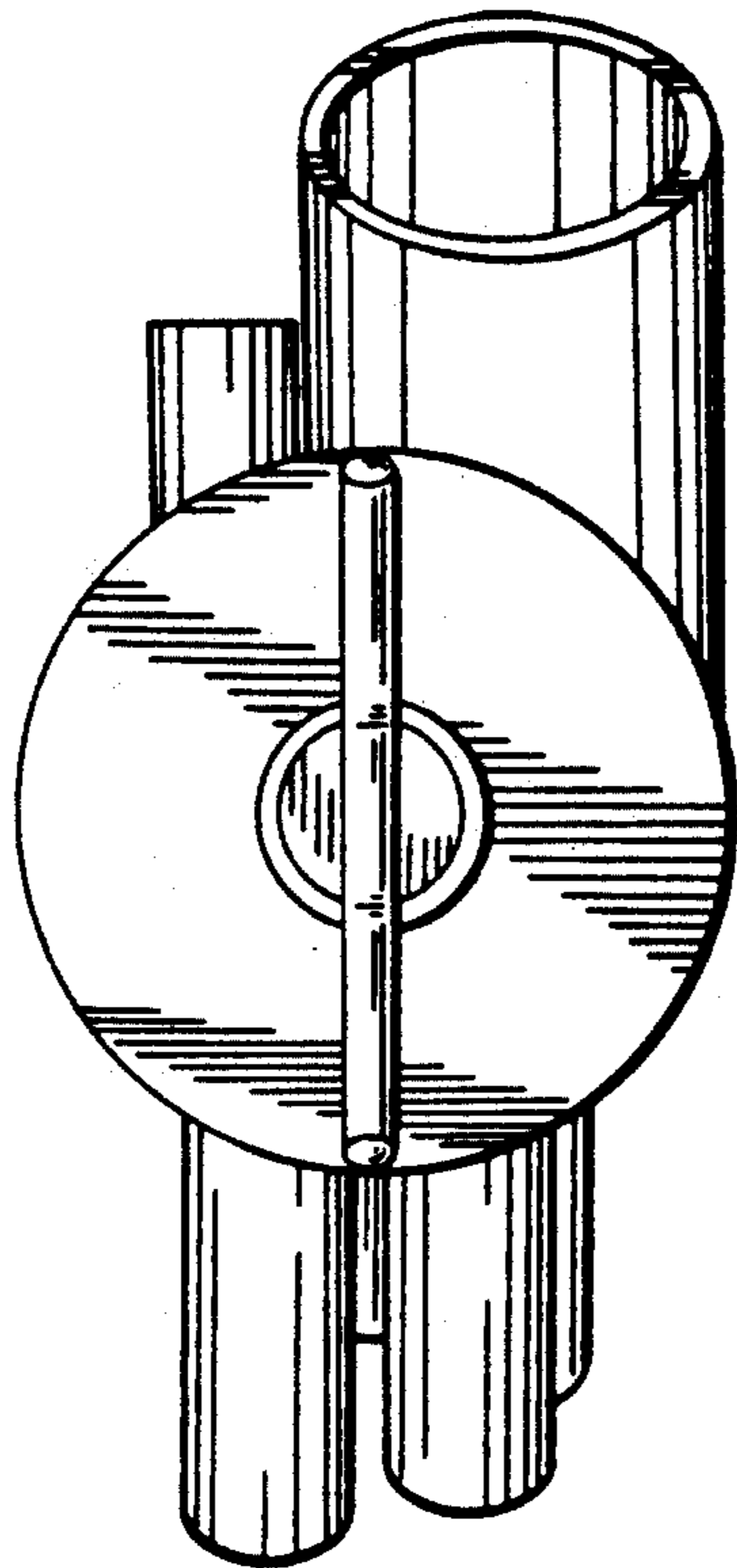


FIG. 6

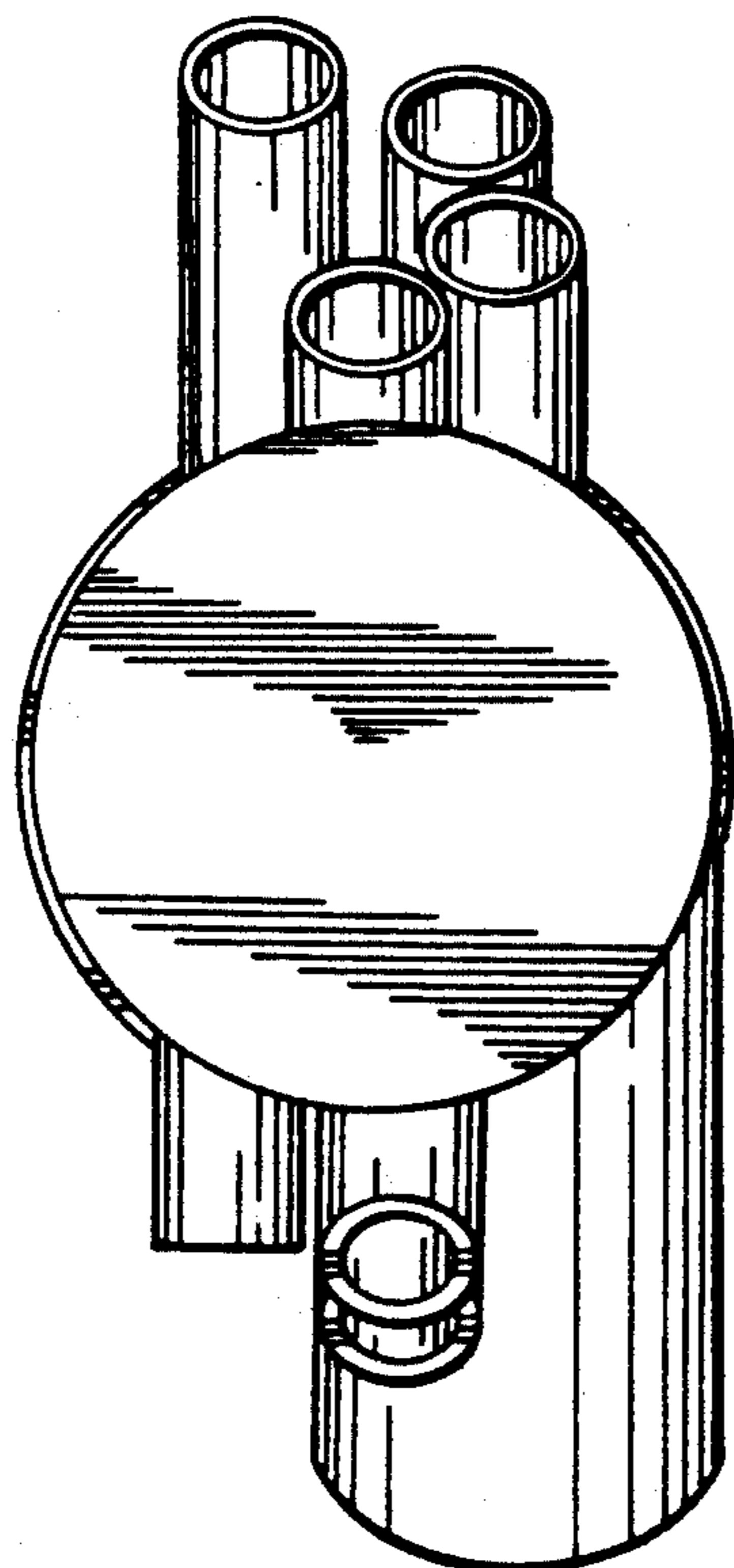


FIG. 7

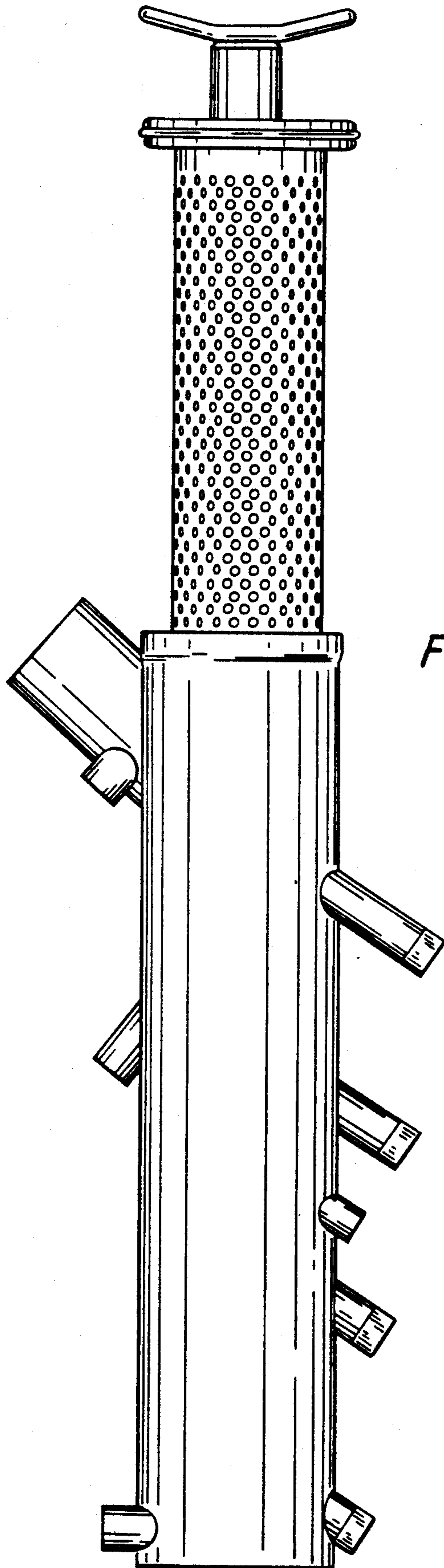


FIG. 8