



US00D339188S

United States Patent [19]

[11] Patent Number: **Des. 339,188**

Rossman

[45] Date of Patent: **** Sep. 7, 1993**

[54] **SPRINKLER COT**

[76] Inventor: **Mary J. Rossman, 10060 205th St.,
Kimball, Minn. 55353**

[**] Term: **14 Years**

[21] Appl. No.: **762,213**

[22] Filed: **Sep. 19, 1991**

[52] U.S. Cl. **D23/213**

[58] Field of Search **D23/213-222;
239/200-206, 211, 222.11-223, 230-233, 273,
275-276, 288, 288.3, 288.5, 390-392, 443-444,
456, 468, 505, 518-524, 556-558, DIG. 1;
D6/382, 389**

[56] **References Cited**

U.S. PATENT DOCUMENTS

2,222,070 11/1940 Graves **D6/382 X**
2,770,812 11/1956 Whiteside **4/615**

2,923,542 2/1960 Clark et al. 248/127 X
4,151,618 5/1979 Carpenter 4/615 X
4,562,963 1/1986 Butler 239/565 X
5,077,842 1/1992 Horne, Jr. 4/596 X

Primary Examiner—Wallace R. Burke
Assistant Examiner—M. H. Tung
Attorney, Agent, or Firm—Leon Gilden

[57] CLAIM

The ornamental design for a sprinkler cot, as shown and described.

DESCRIPTION

FIG. 1 is a front elevational view of the sprinkler cot showing my new design;
FIG. 2 is a rear elevational view thereof;
FIG. 3 is a left side elevational view thereof;
FIG. 4 is a right side elevational view thereof;
FIG. 5 is a top plan view thereof; and,
FIG. 6 is a bottom plan view thereof.

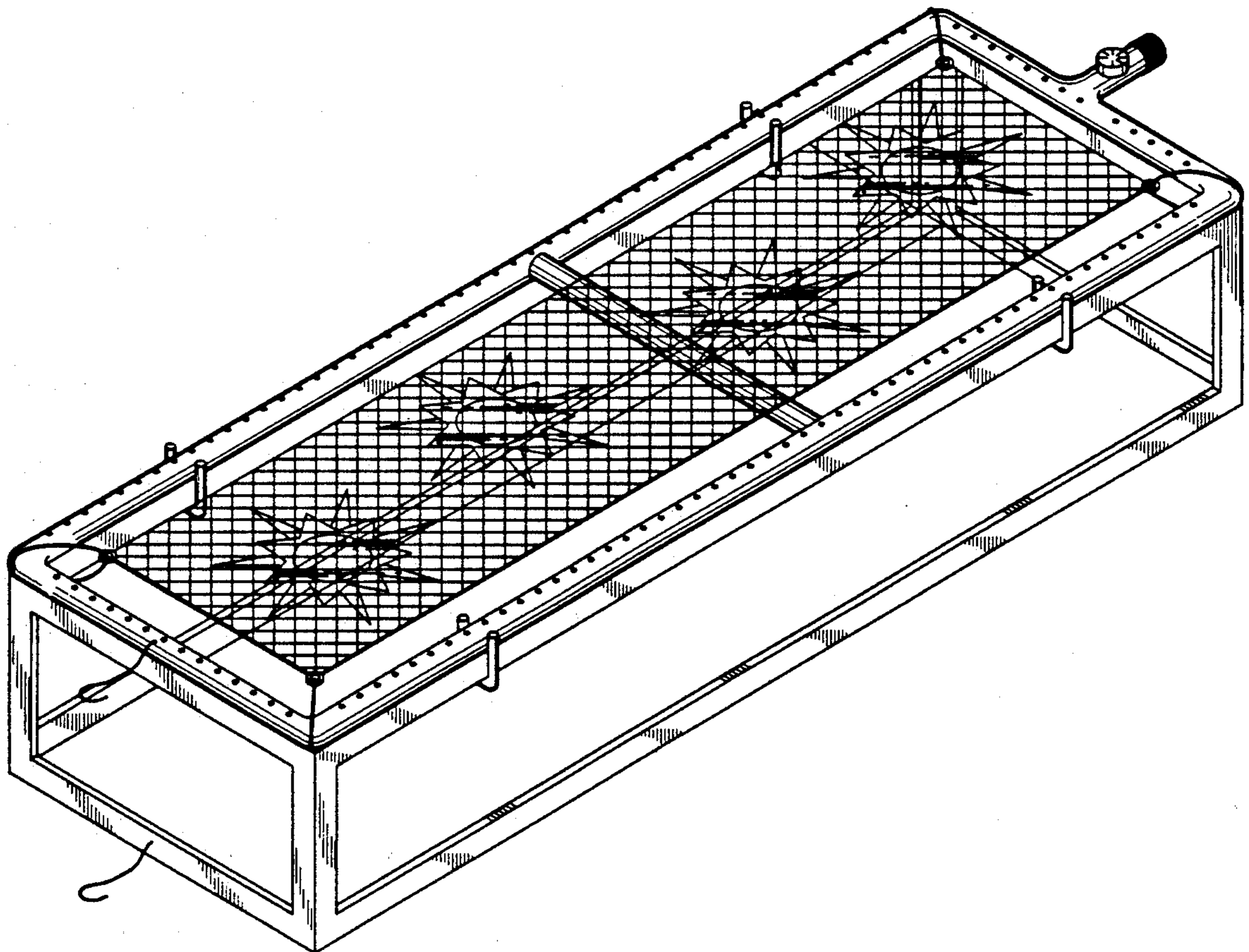


FIG. 1

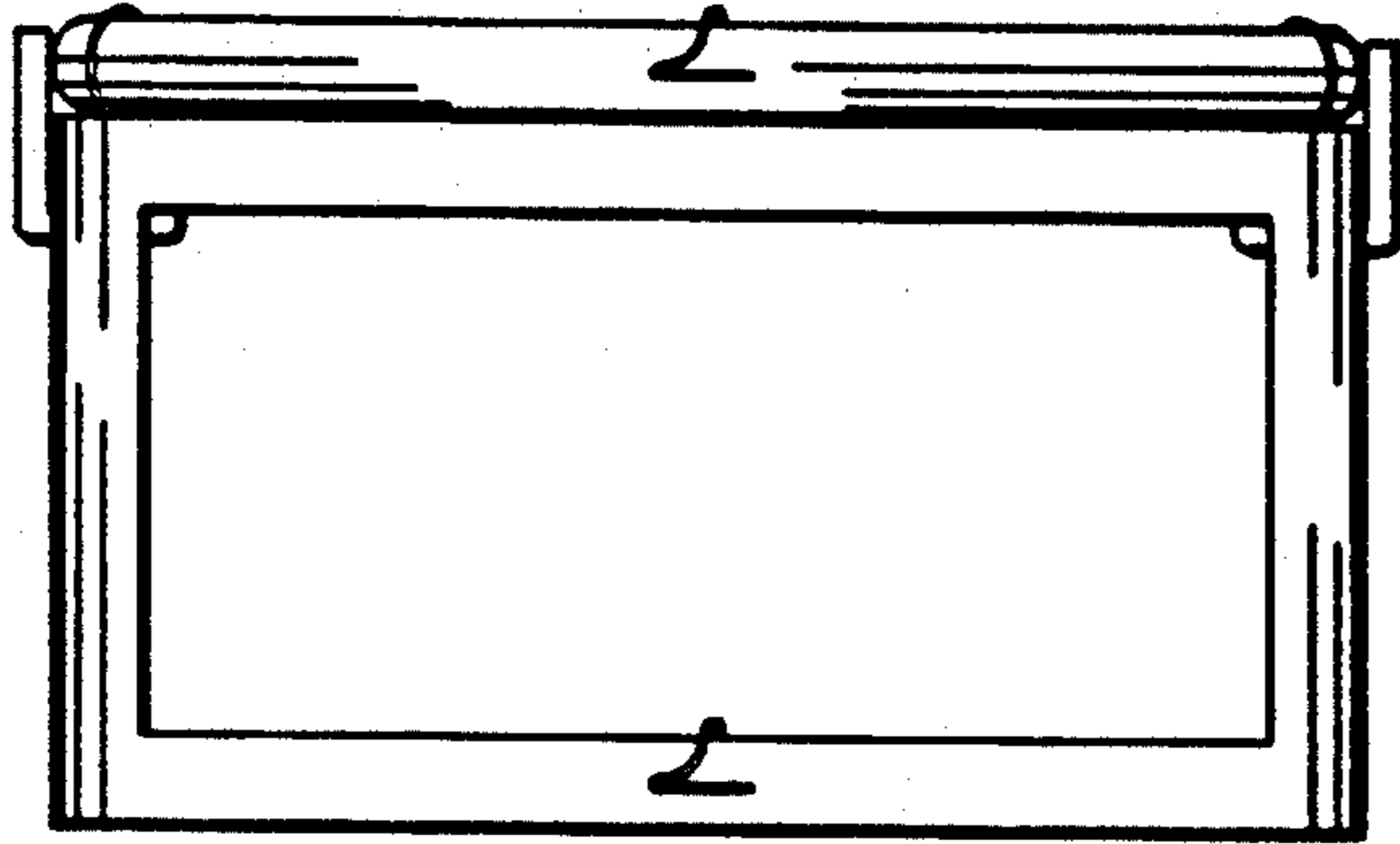


FIG. 2

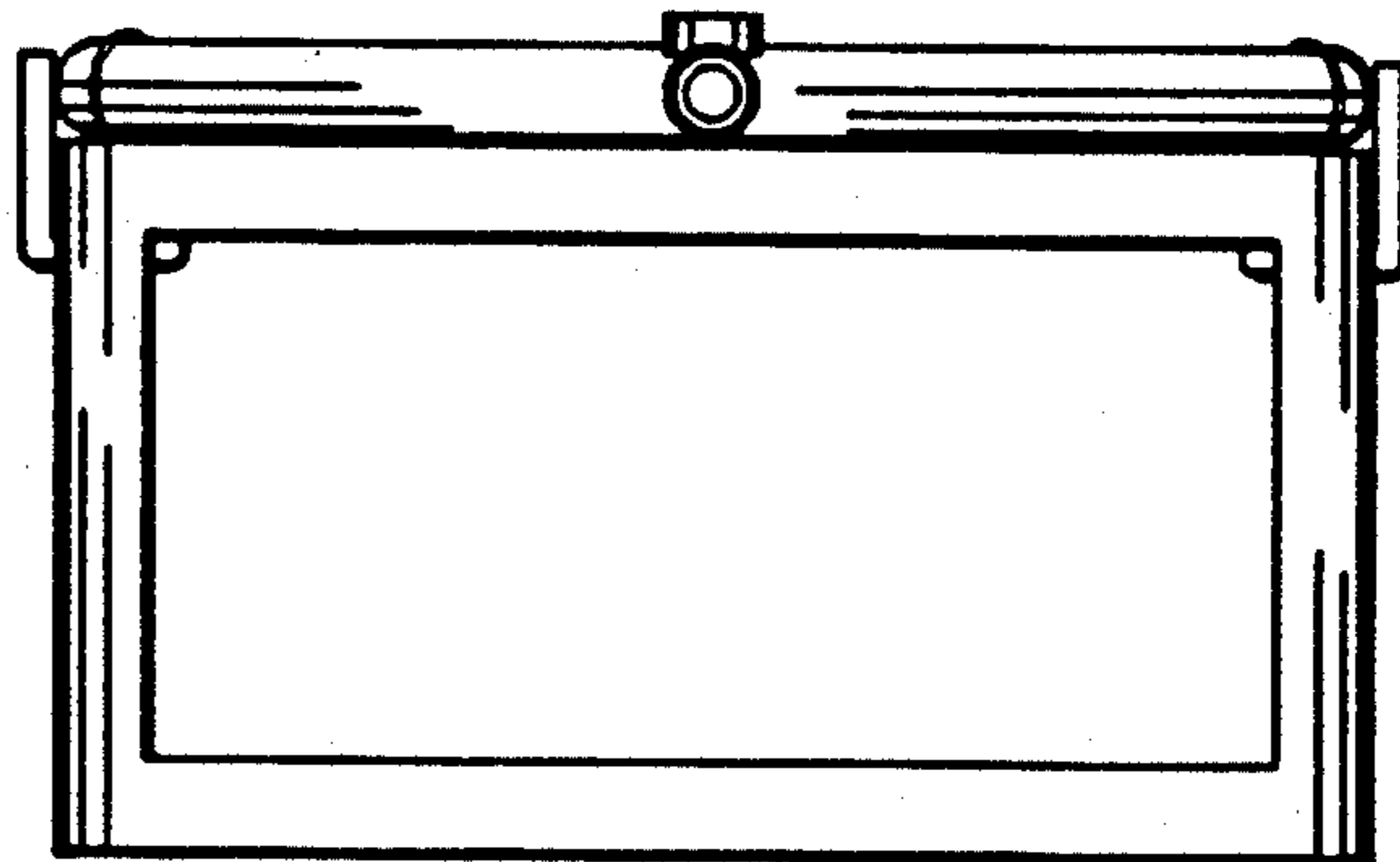


FIG. 3

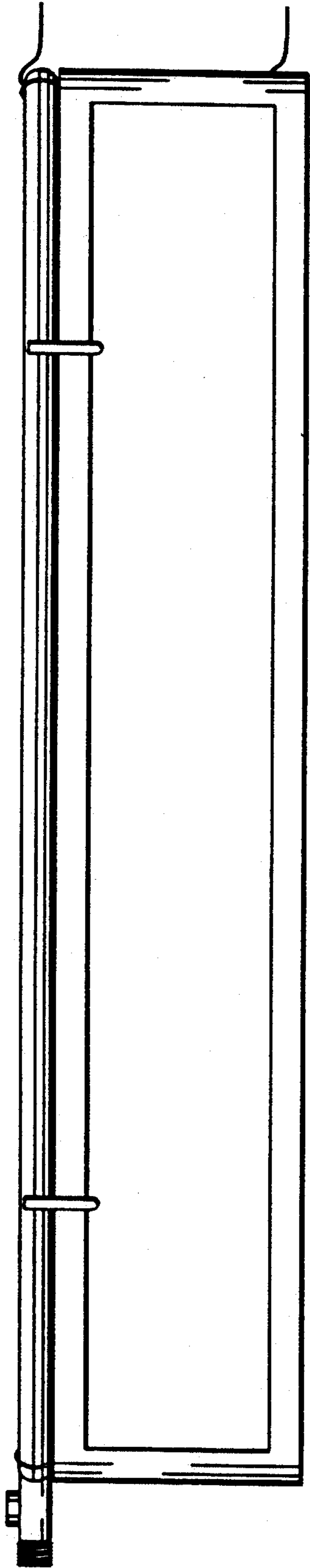


FIG. 4

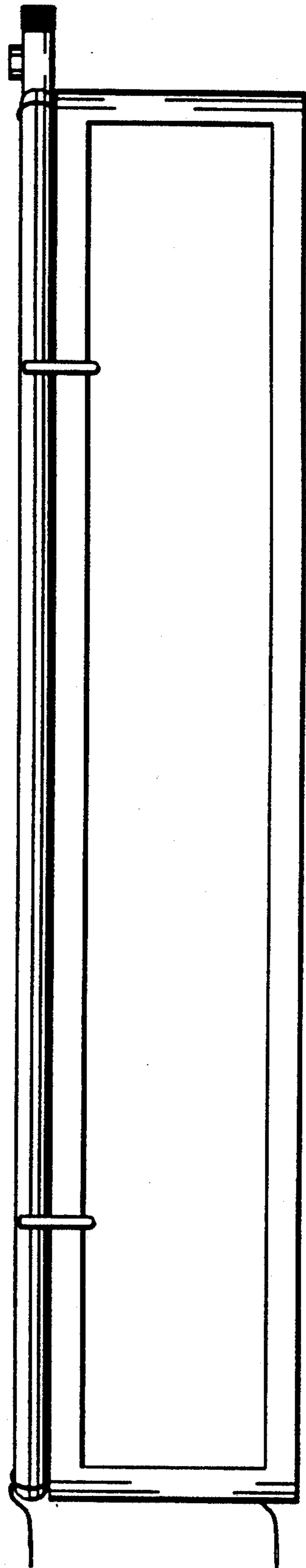


FIG. 5

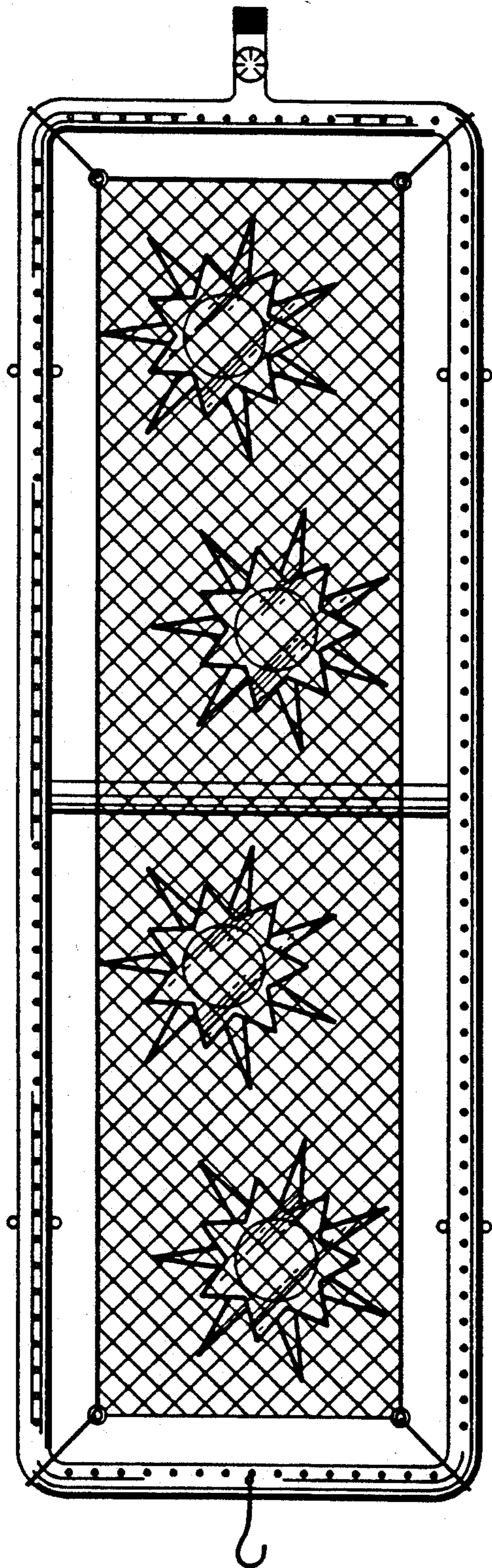
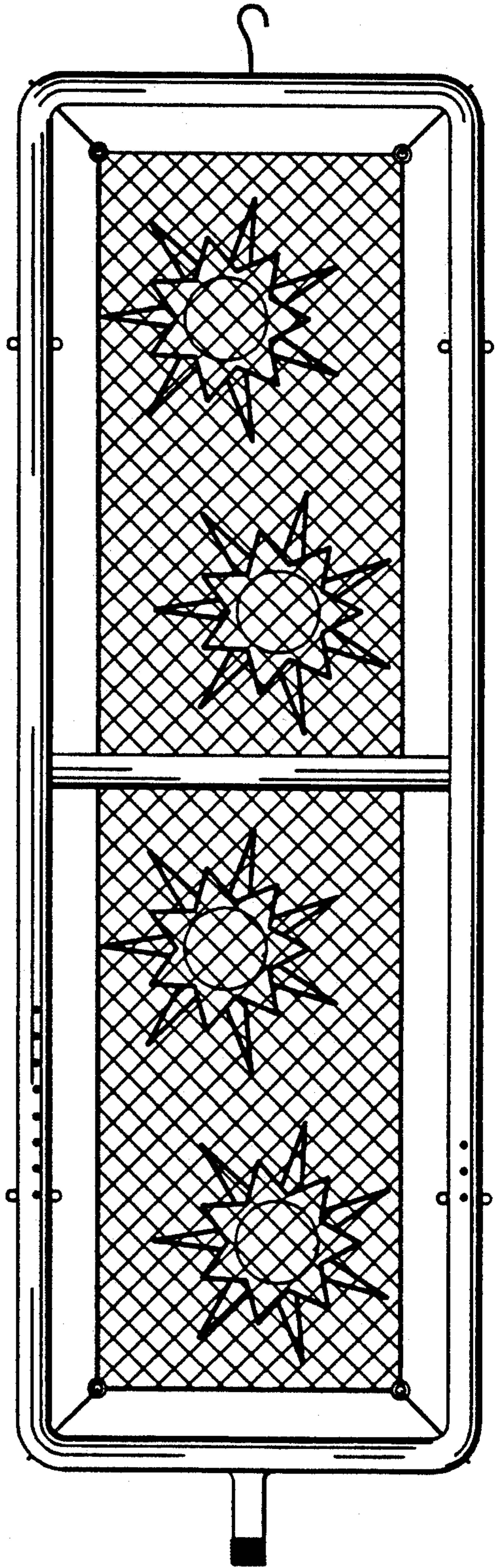


FIG. 6



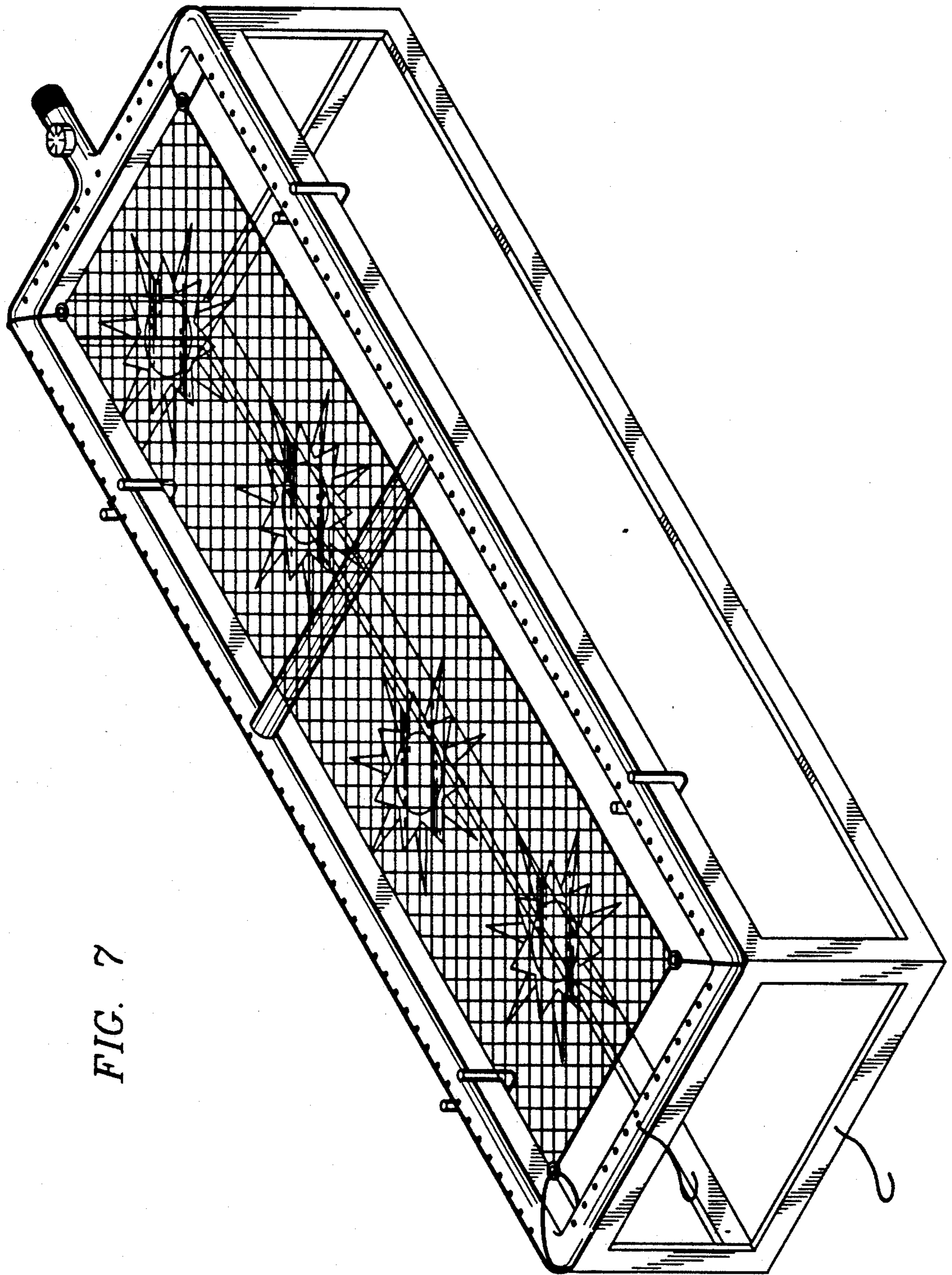


FIG. 7