



US00D339187S

# United States Patent [19]

[11] Patent Number: **Des. 339,187**

**Haynes**

[45] Date of Patent: **\*\* Sep. 7, 1993**

[54] **HAND SHOWER**

[76] Inventor: **Harold L. Haynes, "Allinga Place",  
Gooding Drive, Carrara QLD 4211,  
Australia**

[\*\*] Term: **14 Years**

[21] Appl. No.: **795,627**

[22] Filed: **Nov. 21, 1991**

[30] **Foreign Application Priority Data**

May 23, 1991 [AU] Australia ..... 1432/91

[52] U.S. Cl. .... **D23/213**

[58] Field of Search ..... D23/213, 223-229;  
4/567-570, 599-603, 615, 675-678; 239/276,  
280, 281, 282-283, 288.5, 310, 443-449,  
456-460, 525, 550-552, 556-559, 562-565, 567

[56] **References Cited**

### U.S. PATENT DOCUMENTS

D. 231,701 5/1974 Grube ..... D23/223

D. 289,545 4/1987 Koch ..... D23/223  
D. 295,437 4/1988 Fabian ..... D23/223  
4,719,654 1/1988 Blessing ..... 239/325 X  
4,964,573 10/1990 Lipski ..... 239/283  
5,145,114 9/1992 Mönch ..... 239/449 X

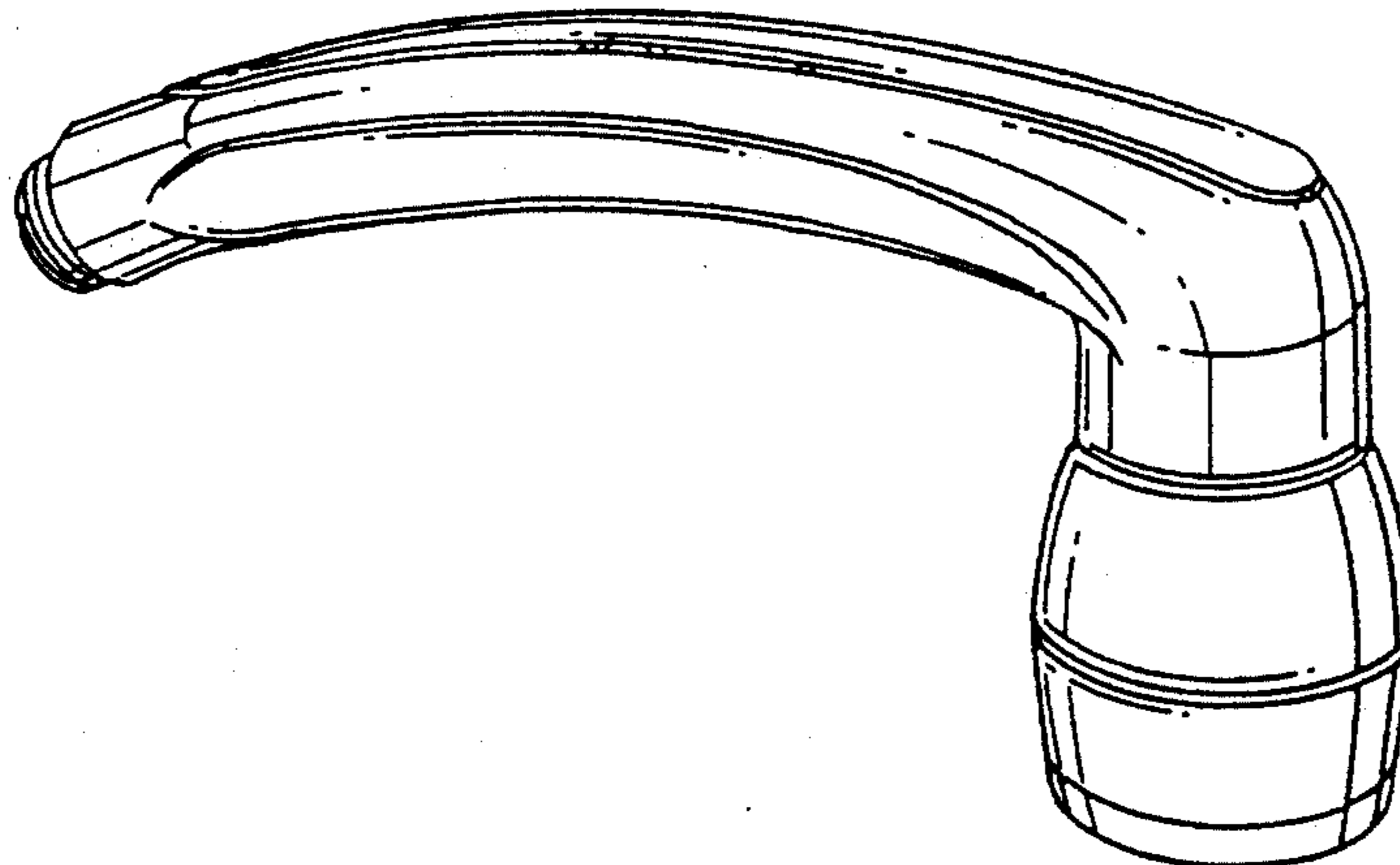
*Primary Examiner*—Wallace R. Burke  
*Assistant Examiner*—M. H. Tung  
*Attorney, Agent, or Firm*—Griffin, Butler, Whisenhunt &  
Kurtosy

### [57] CLAIM

The ornamental design for a hand shower, as shown.

### DESCRIPTION

FIG. 1 is a perspective view of the hand shower from one orientation;  
FIG. 2 is a perspective view of the hand shower from an orientation shown opposite to that of FIG. 1;  
FIG. 3 is a side view of the hand shower, the opposite side being a mirror image;  
FIG. 4 is a top plan view of the hand shower; and,  
FIG. 5 is a front elevational view at the nozzle end of the hand shower.



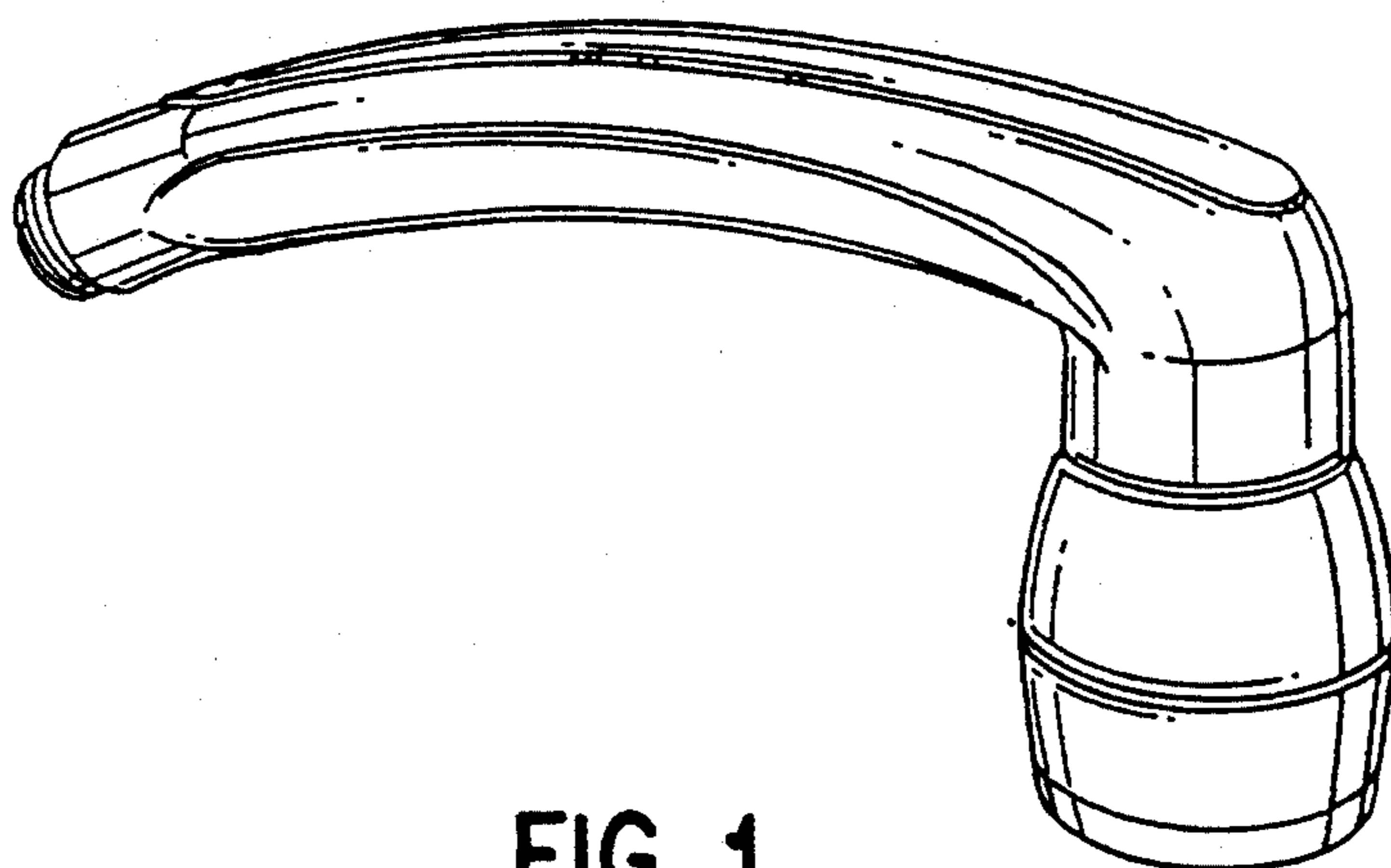


FIG. 1

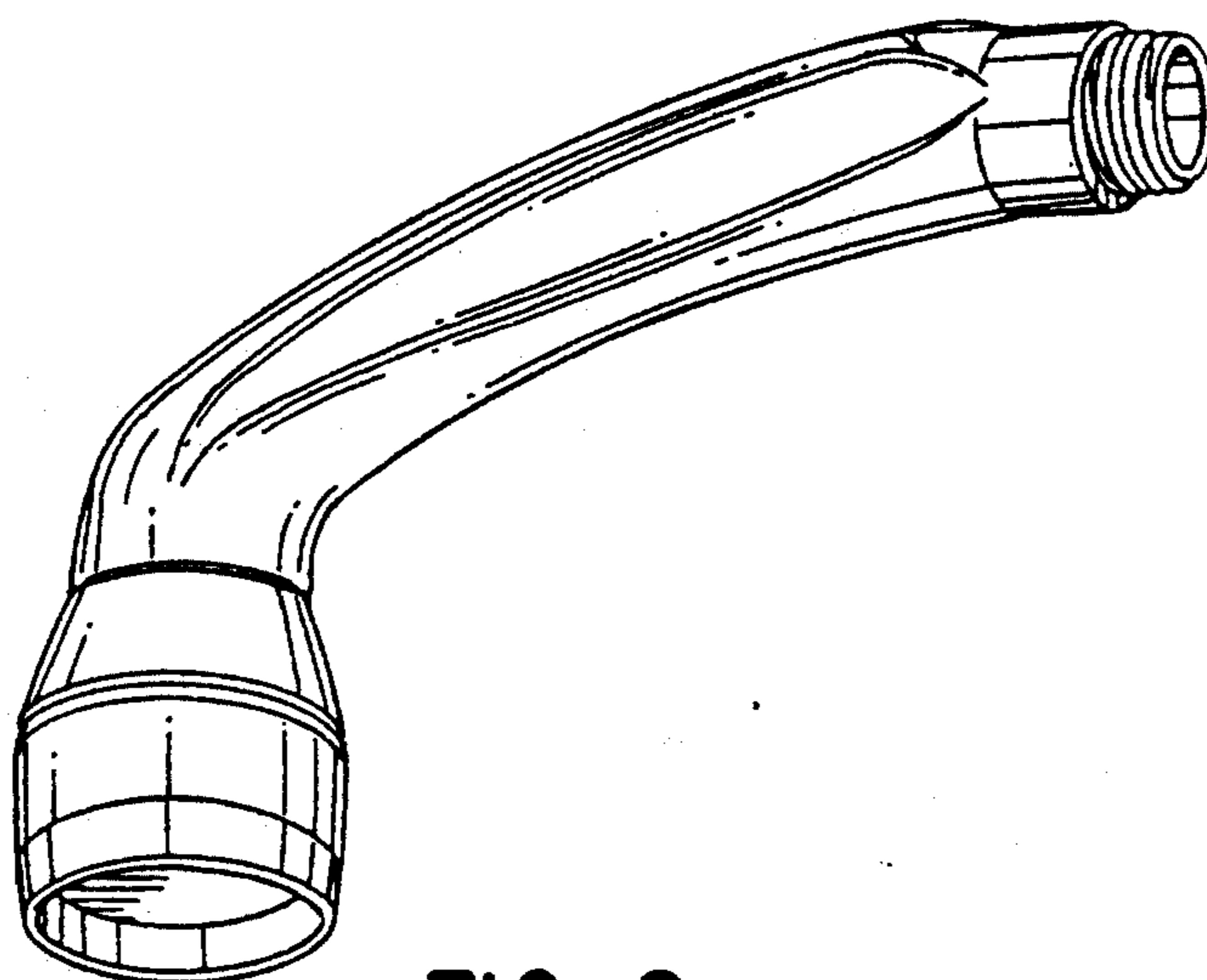


FIG. 2



FIG. 3

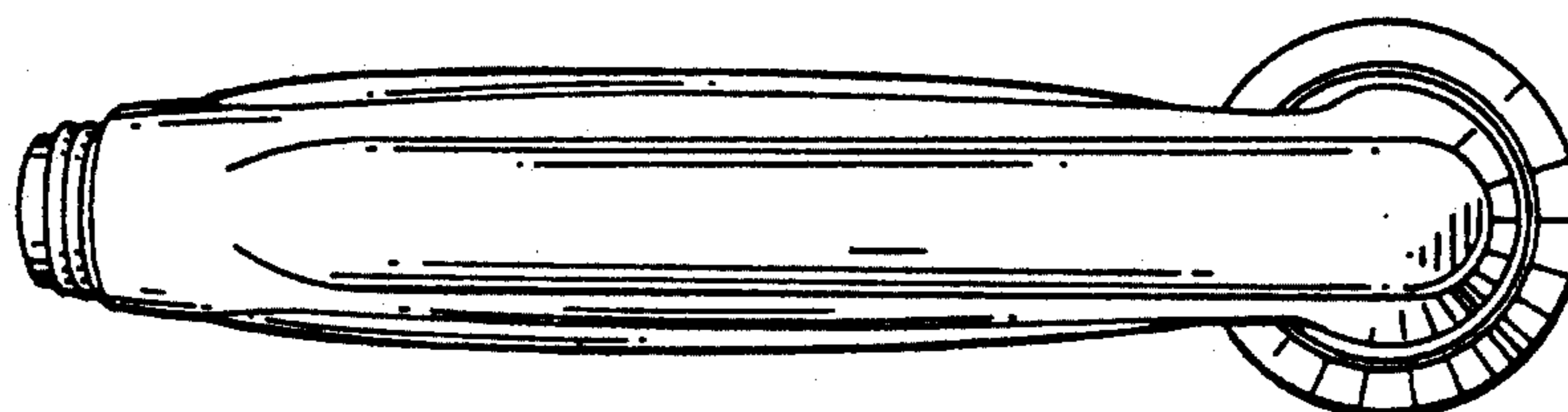


FIG. 4

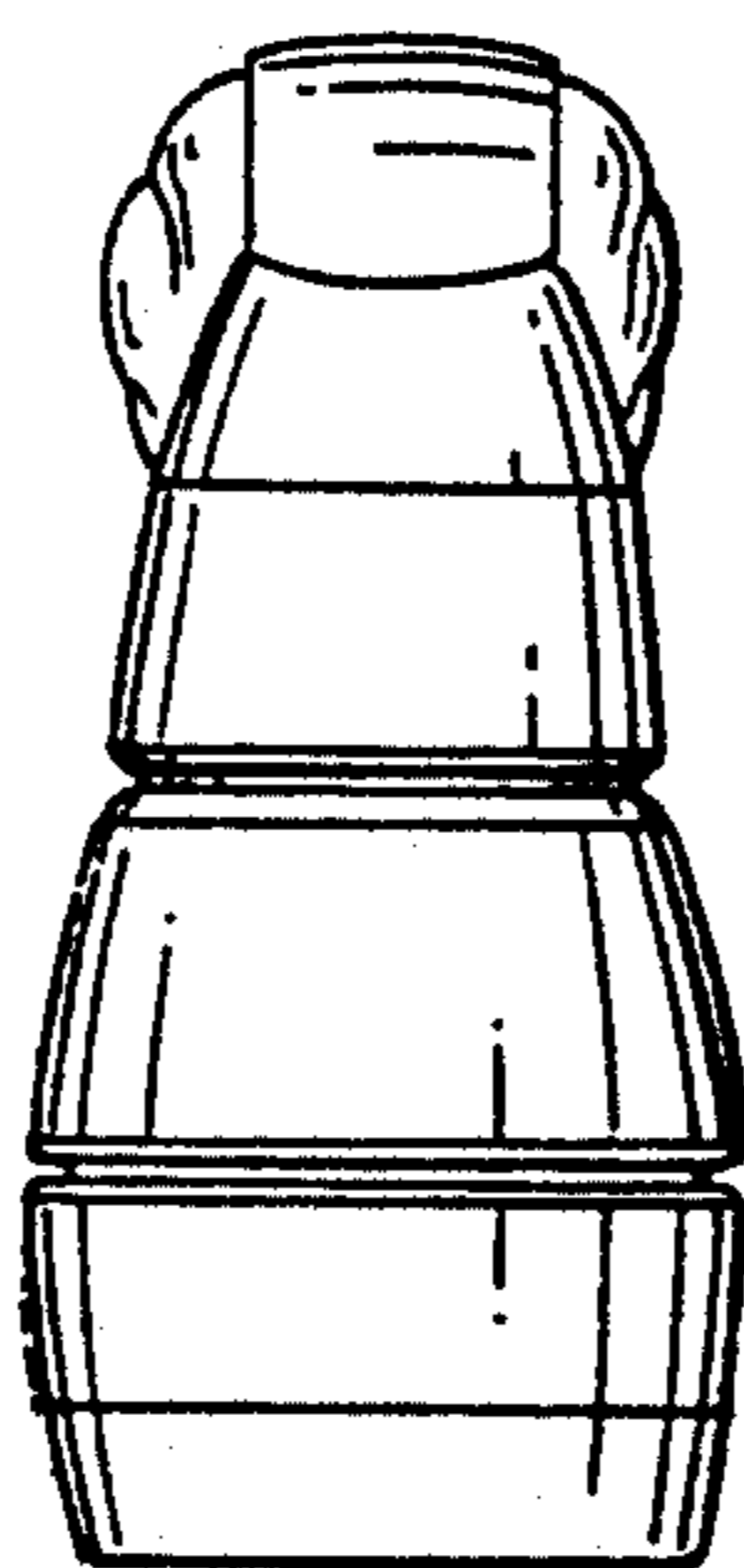


FIG. 5