



US00D339184S

# United States Patent [19]

[11] Patent Number: **Des. 339,184**

Warner

[45] Date of Patent: **\*\* Sep. 7, 1993**

[54] **ARCHERY BOW QUIVER**

[76] Inventor: **Charles A. Warner, 20707 SE. Burnside Ct., Gresham, Oreg. 97030**

[\*\*] Term: **14 Years**

[21] Appl. No.: **657,188**

[22] Filed: **Feb. 19, 1991**

[52] U.S. Cl. .... **D22/107; D3/38; D3/100**

[58] Field of Search ..... **D22/107; D3/100, 36, D3/38; 224/916; 124/23.1, 45, 88, 24.1, 87, 86, 41.1**

4,621,606 11/1986 Toth ..... 224/916 X  
 4,685,438 8/1987 Larson ..... 124/86 X  
 4,995,372 2/1991 Topel ..... 124/41.1 X  
 5,005,554 4/1991 Shepley et al. .... 124/24.1

*Primary Examiner—A. Hugo Word*  
*Assistant Examiner—Doris V. Coles*  
*Attorney, Agent, or Firm—Olson & Olson*

### [57] CLAIM

The ornamental design for an archery bow quiver, as shown and described.

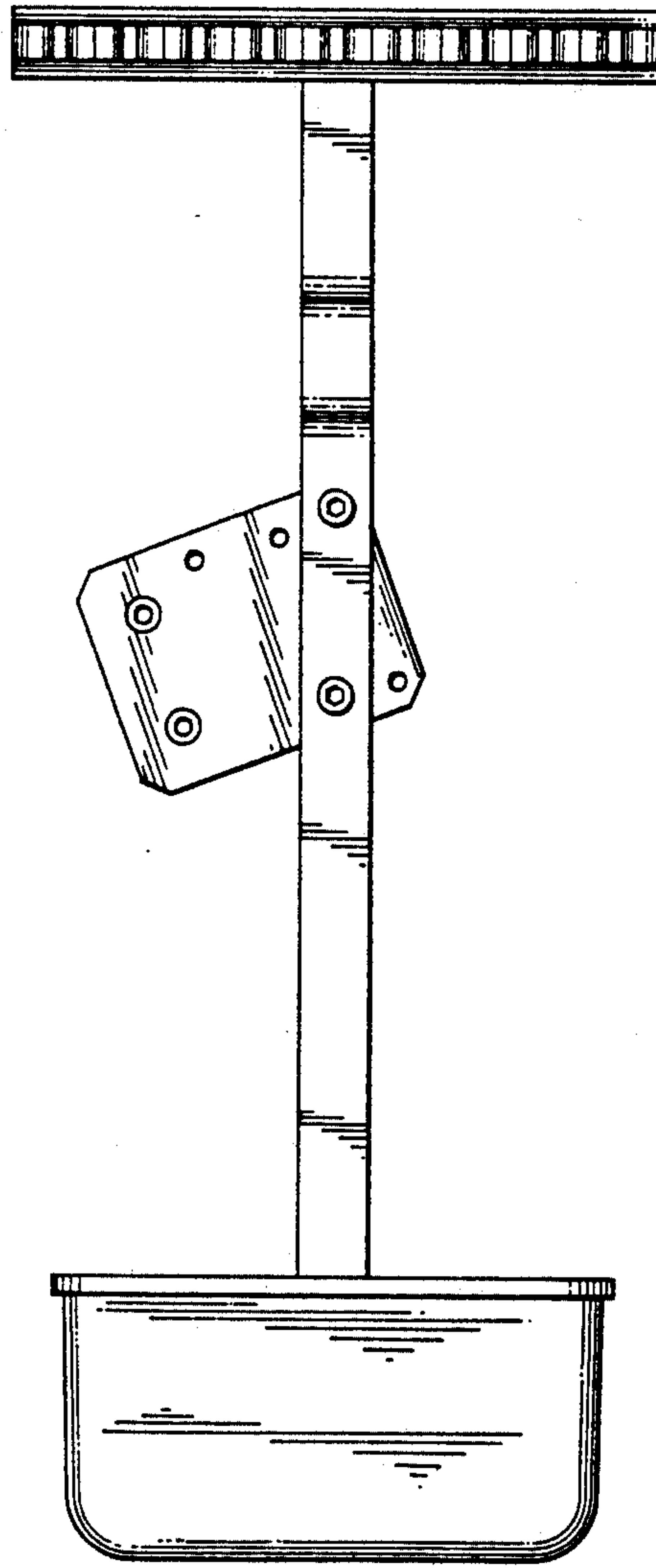
### DESCRIPTION

FIG. 1 is a front elevational view of an archery bow quiver showing my new design;  
 FIG. 2 is a right side elevational view thereof;  
 FIG. 3 is a rear elevational view thereof;  
 FIG. 4 is a left side elevational view of the design of FIG. 1;  
 FIG. 5 is a top plan view thereof; and,  
 FIG. 6 is a bottom plan view thereof.

[56] **References Cited**

**U.S. PATENT DOCUMENTS**

D. 223,353	4/1972	Adams	.....	D3/100
D. 248,040	5/1978	Stinson	.....	D22/107 X
3,209,740	10/1965	Hauch	.....	224/916 X
3,591,062	7/1971	Karbo	.....	224/916 X
4,252,101	2/1981	Spitzke	.....	224/916 X



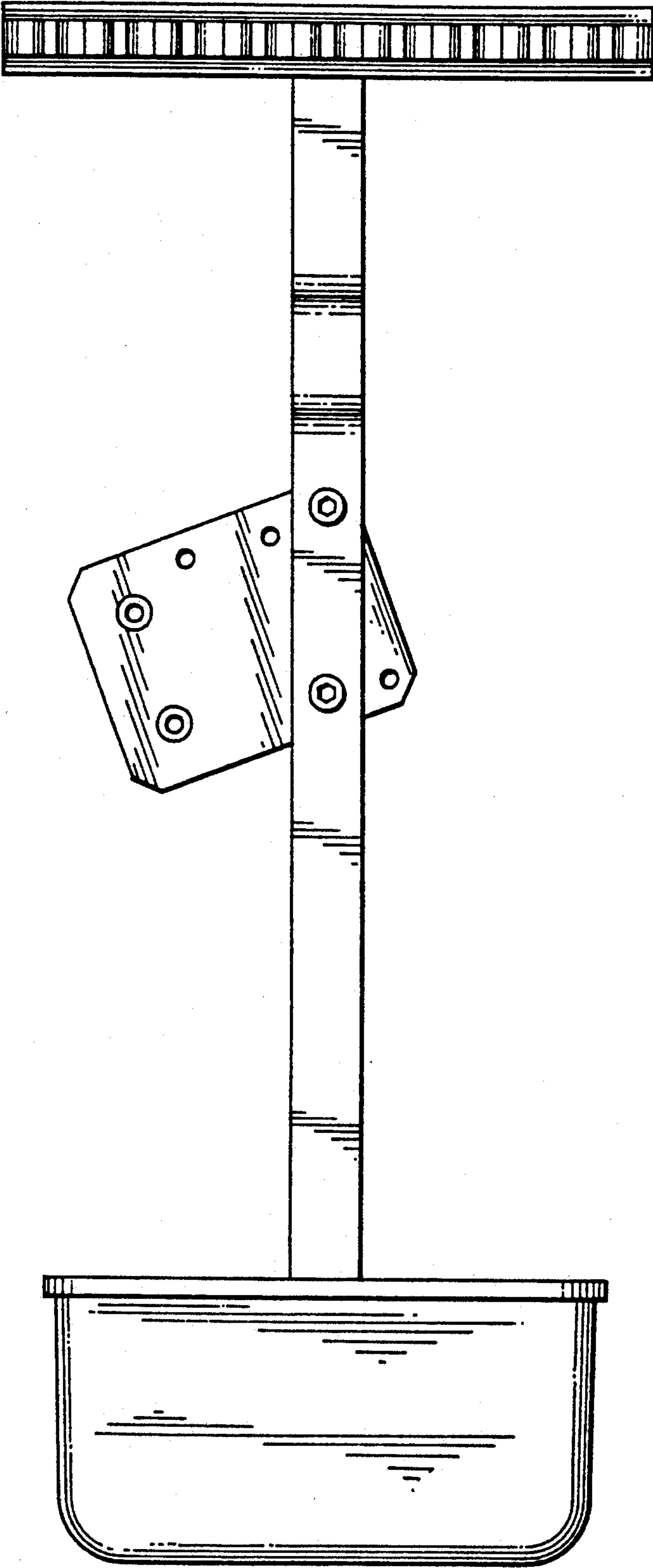


FIG. 1

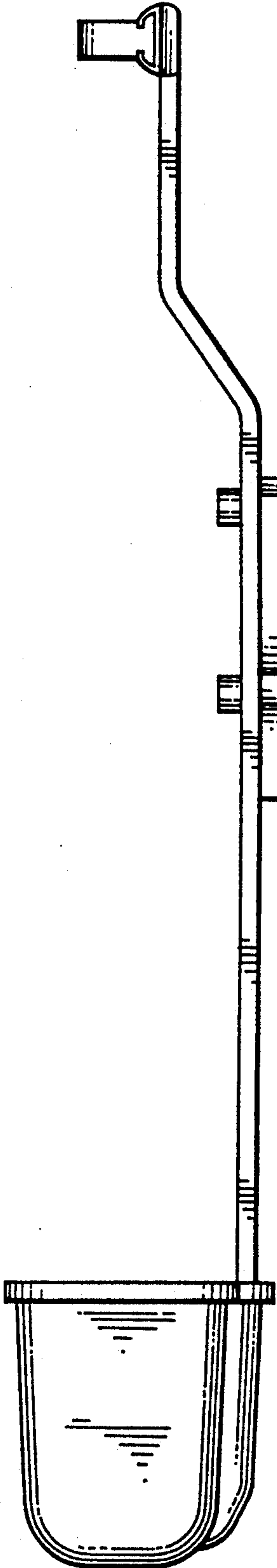


FIG. 2

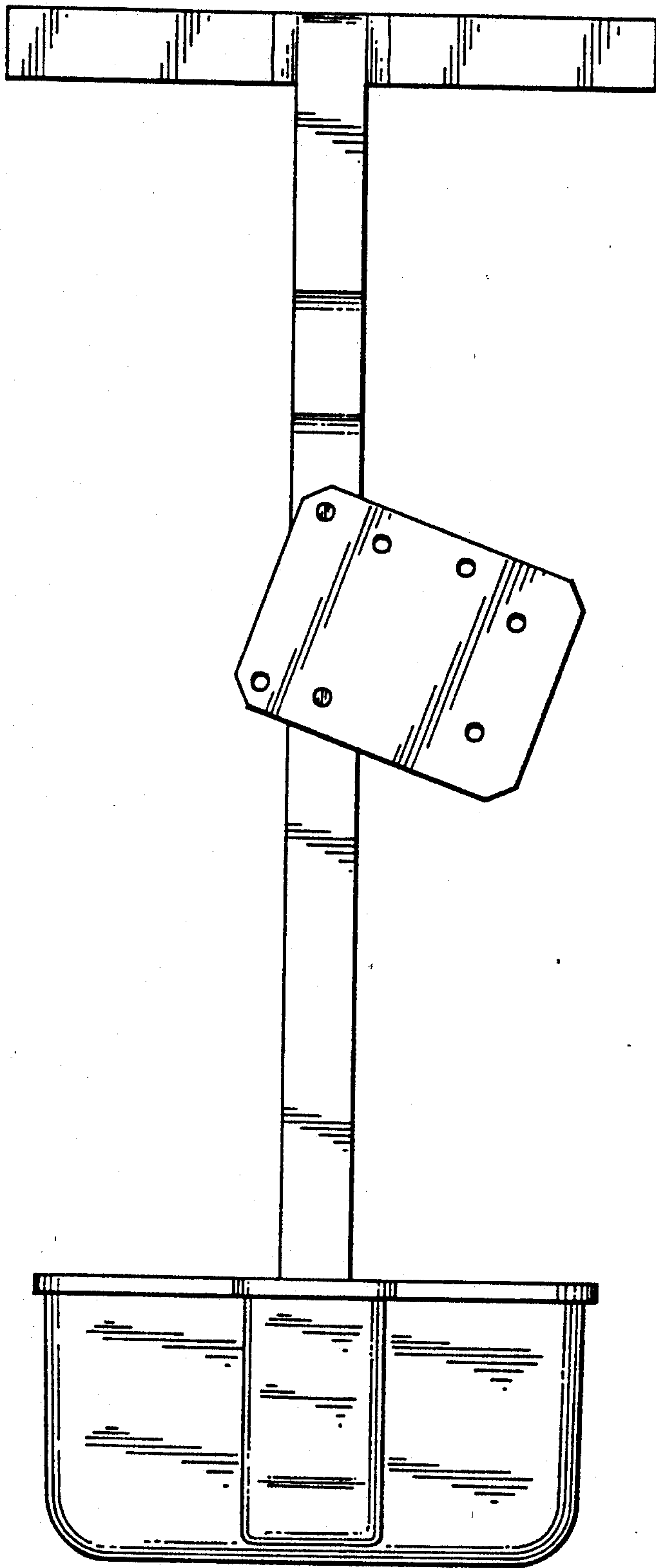


FIG. 3

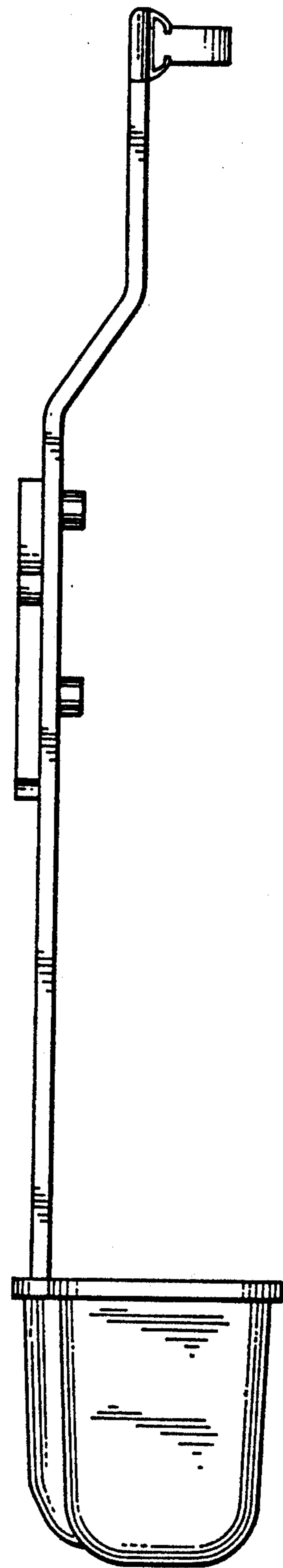
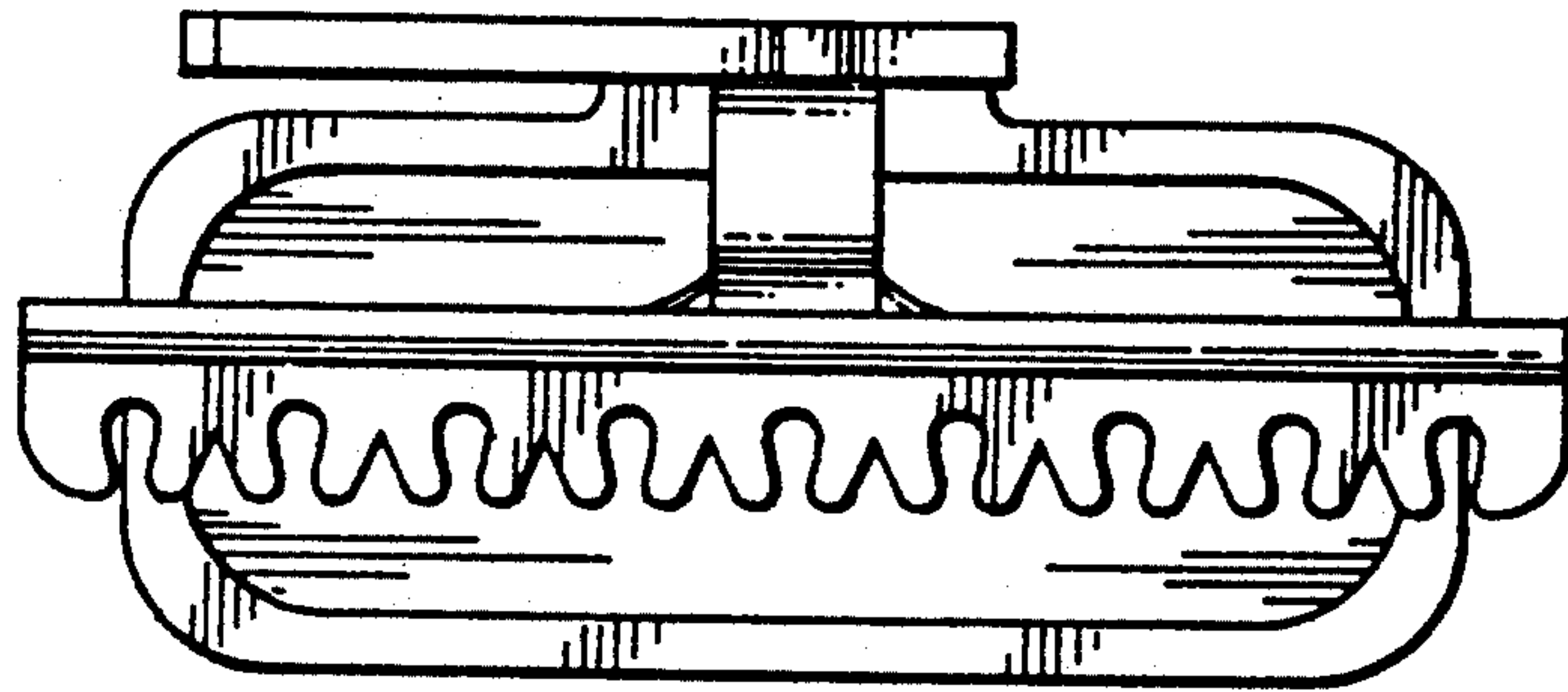
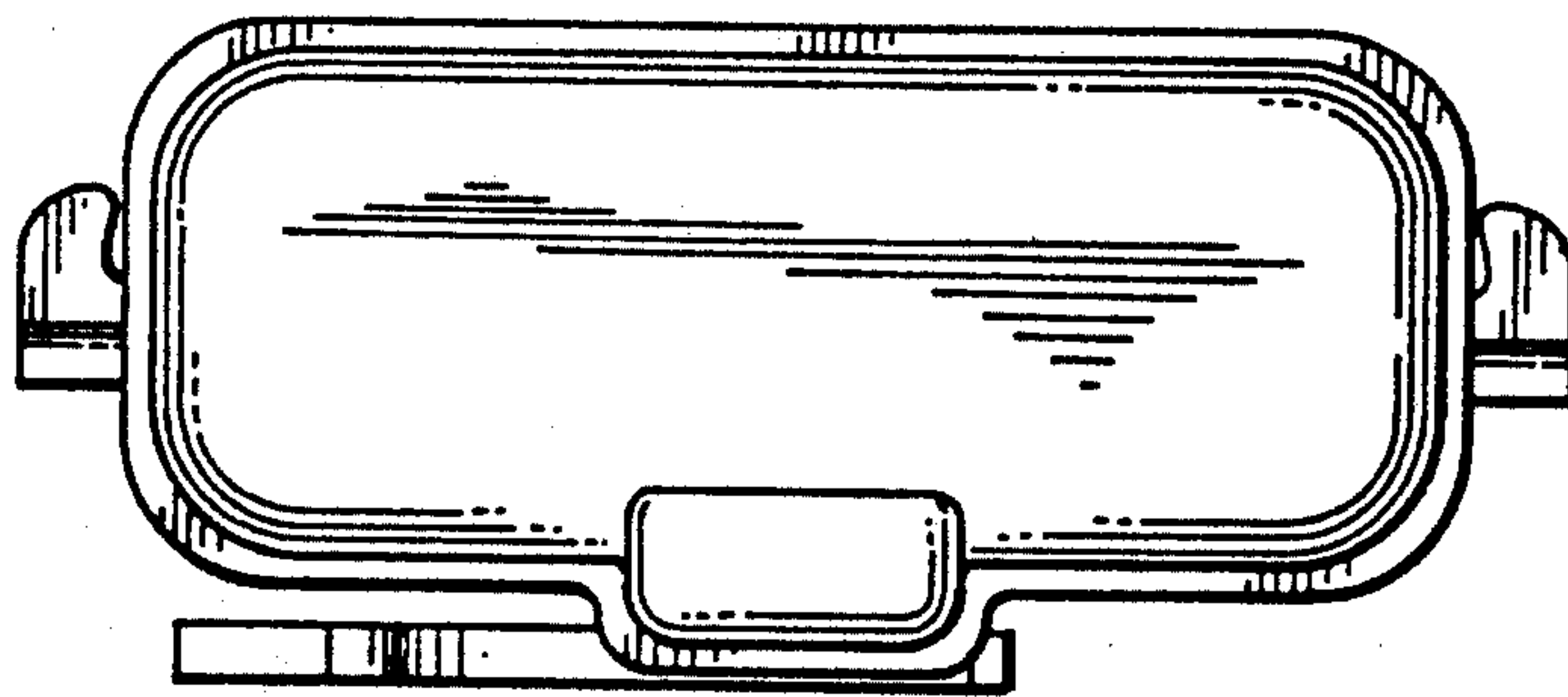


FIG. 4



*FIG. 5*



*FIG. 6*