



US00D339181S

# United States Patent [19]

[11] Patent Number: **Des. 339,181**

**Grim, Jr.**

[45] Date of Patent: **\*\* Sep. 7, 1993**

[54] **PUTTER HEAD**

[76] Inventor: **Lawrence J. Grim, Jr., 717HW  
Callowhill Rd., Perkasie, Pa. 18944**

[\*\*] Term: **14 Years**

[21] Appl. No.: **724,966**

[22] Filed: **Jul. 2, 1991**

[52] U.S. Cl. .... **D21/218**

[58] Field of Search ..... **D21/214-220;  
273/164.1, 167-175**

[56] **References Cited**

**U.S. PATENT DOCUMENTS**

D. 193,897	10/1962	Vachon	.....	D21/218
D. 206,540	12/1966	MacKenzie	.....	D21/218
D. 229,208	11/1973	Phinney	.....	D21/219
D. 231,373	4/1974	Pavelle	.....	D21/218

*Primary Examiner*—Melvin B. Feifer  
*Attorney, Agent, or Firm*—Jacobson, Price, Holman & Stern

[57] **CLAIM**

The ornamental design for a putter head, as shown and described.

**DESCRIPTION**

FIG. 1 is a front perspective view of a putter head showing my new design;  
FIG. 2 is a right end elevational view thereof;  
FIG. 3 is a rear elevational view thereof;  
FIG. 4 is a top plan view thereof; and,  
FIG. 5 is a bottom plan view thereof, the left end being a mirror image of FIG. 2.  
The broken line showing of a shaft segment is for illustrative purposes only.

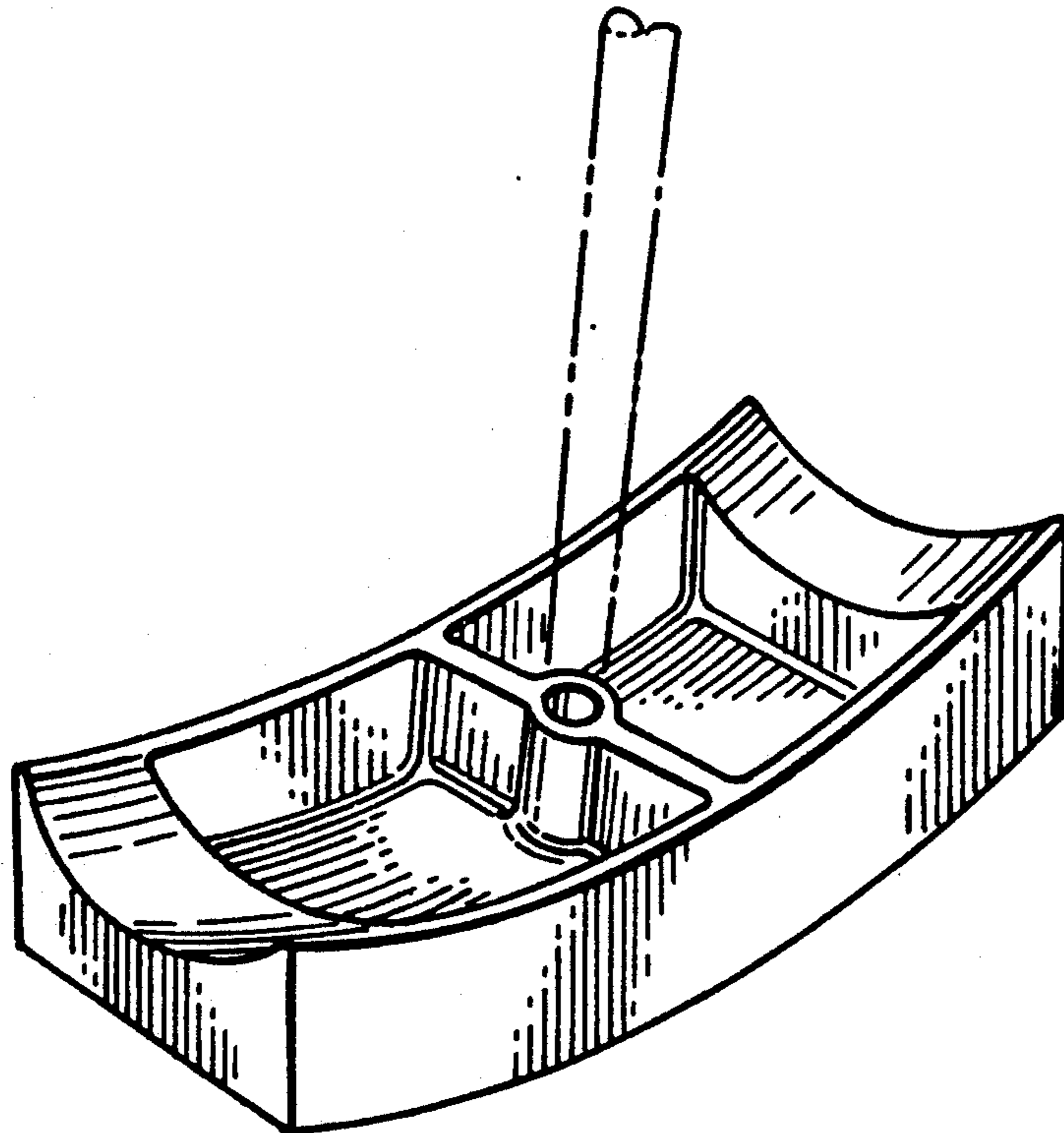


FIG. 1

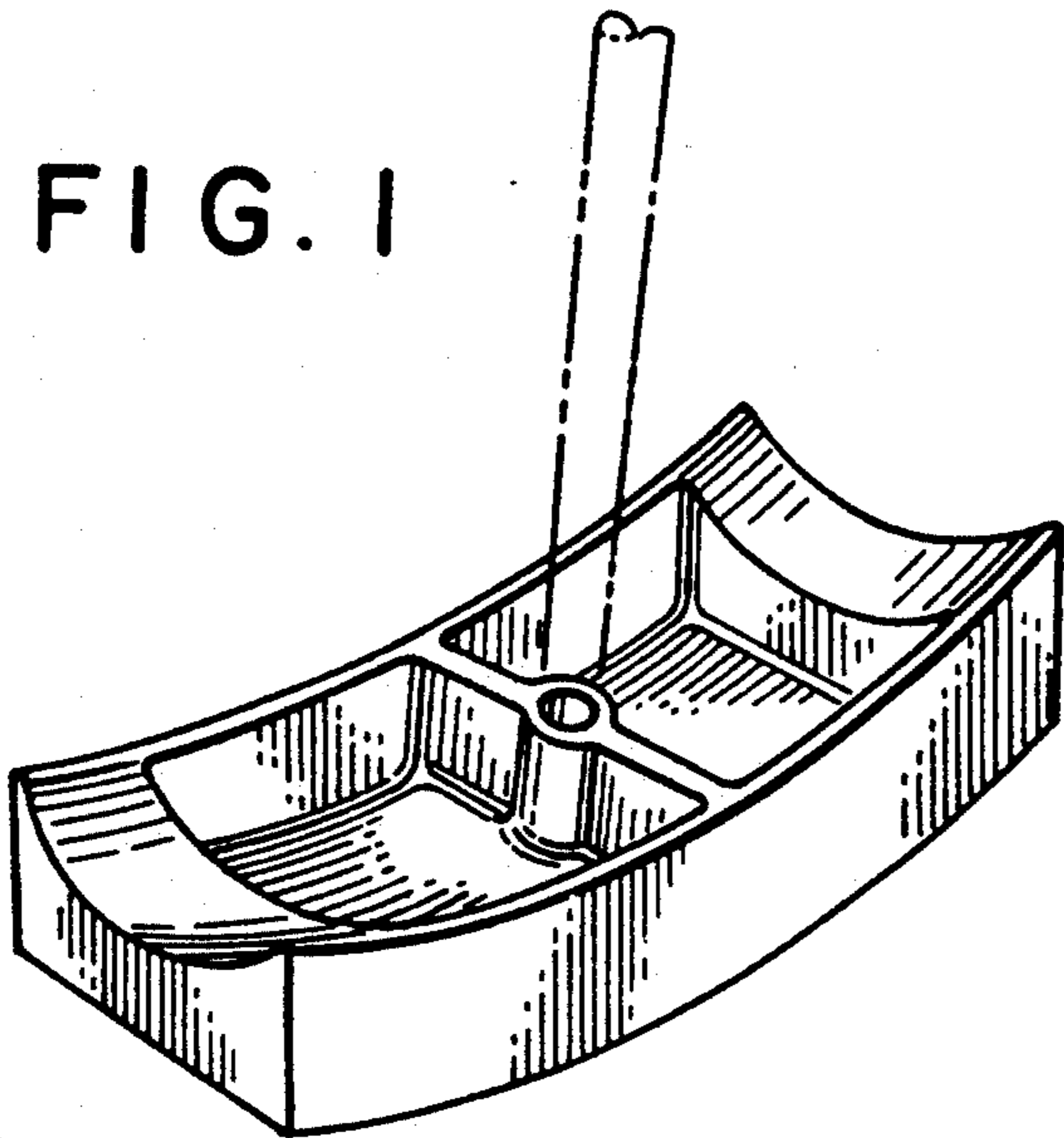


FIG. 2

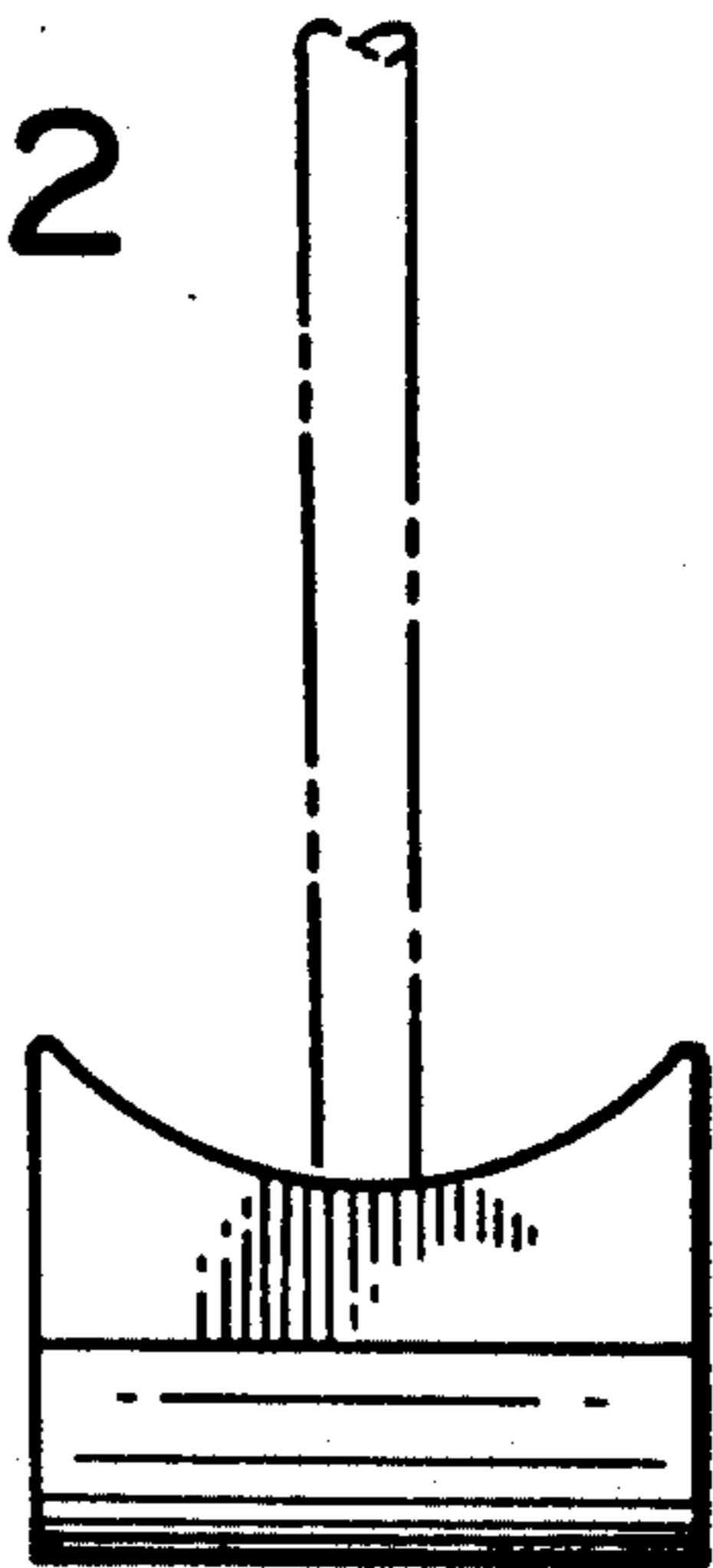


FIG. 3

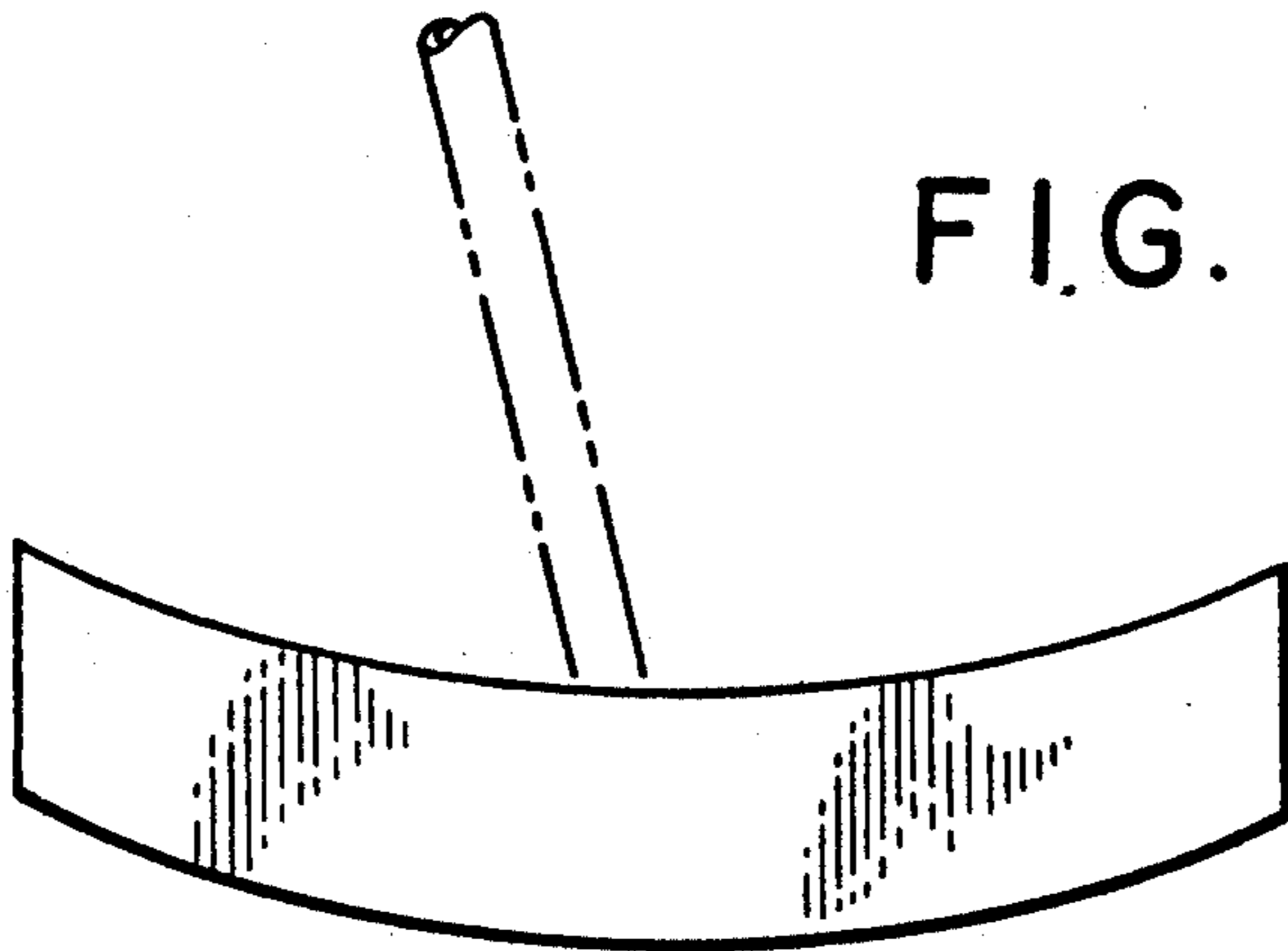


FIG. 4

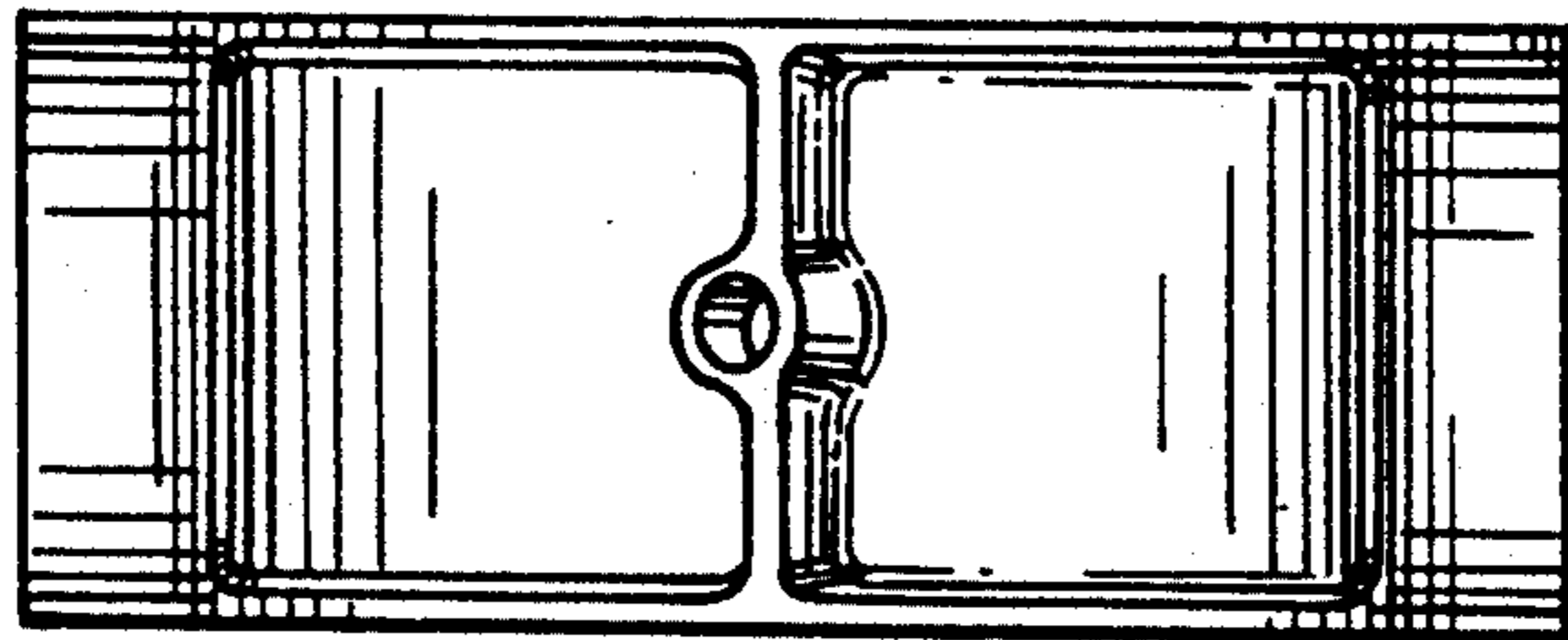


FIG. 5

