



US00D339175S

United States Patent [19] Li

[11] Patent Number: **Des. 339,175**

[45] Date of Patent: **** Sep. 7, 1993**

[54] **TOY VEHICLE**

[76] Inventor: **Hsing Li, No. 17, Yung Hsing St., Taichung, Taiwan**

[**] Term: **14 Years**

[21] Appl. No.: **845,443**

[22] Filed: **Mar. 4, 1992**

[52] U.S. Cl. **D21/76**

[58] Field of Search **D21/73, 76-80, D21/124, 128, 134, 136, 139, 141, 141.1, 142, 161, 168, 177, 250; D12/85, 92, 128, 129; D19/63; 446/7, 279, 281, 451, 465; 280/47.36, 642-644, 658**

[56] **References Cited**

U.S. PATENT DOCUMENTS

- D. 187,992 5/1960 Schreckengost D21/78
- D. 258,425 3/1981 Scherenberg D12/92
- D. 284,843 7/1986 O'Donnell D12/86
- D. 311,760 10/1990 Harrod D21/136

OTHER PUBLICATIONS

- Sears Wishbook '85 p. 45 #1.
- Sears Catalog '81 p. 594 #1.
- Pines Catalog 1970 #91 "Junior Fire Chief".
- Childcraft Catalog 1984 p. 51 "D".

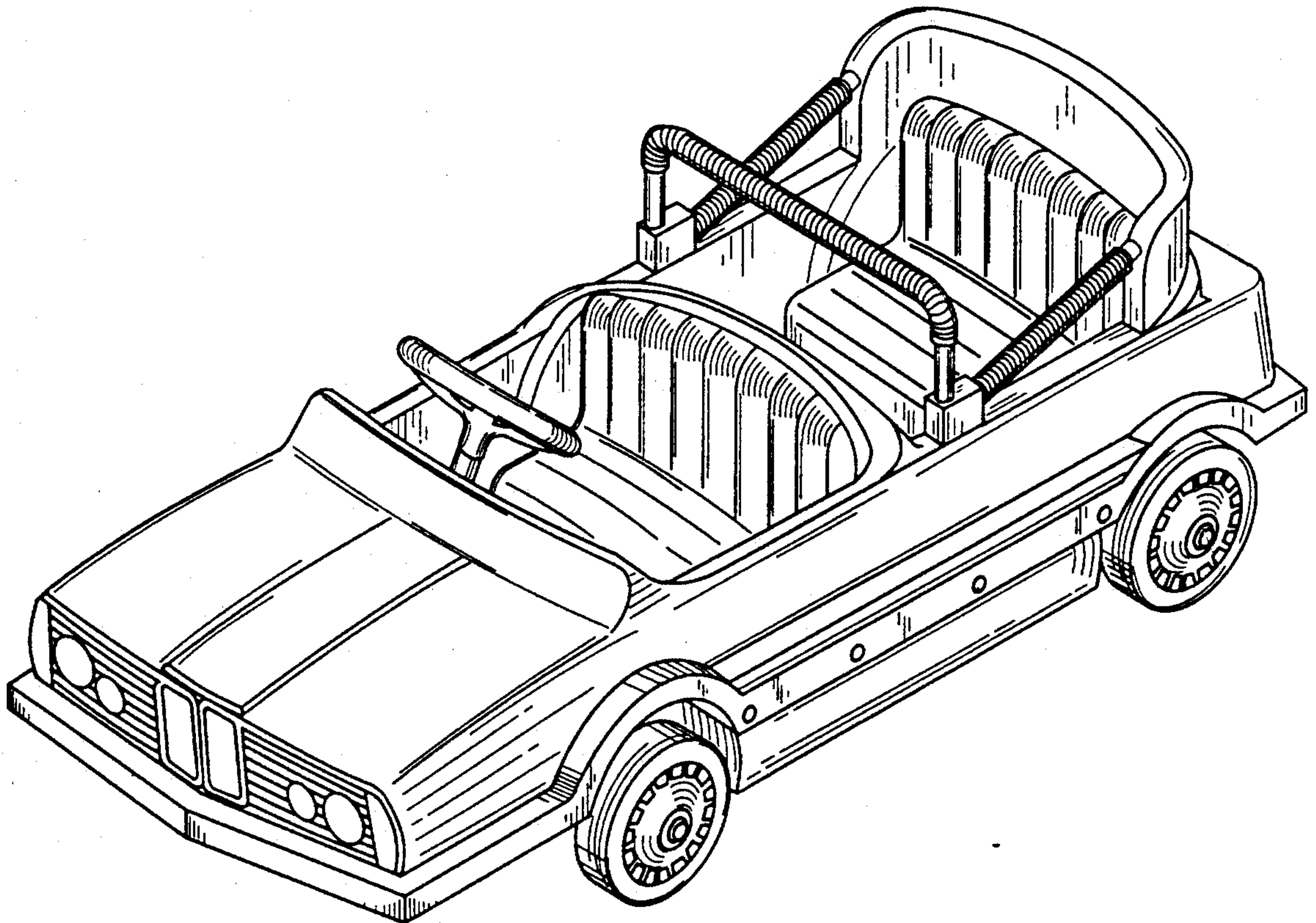
Primary Examiner—Bernard Ansher
Assistant Examiner—R. Barkai
Attorney, Agent, or Firm—Thomas R. Vigil

[57] **CLAIM**

The ornamental design for a toy vehicle, as shown and described.

DESCRIPTION

FIG. 1 is the perspective view of a toy vehicle showing my new design;
 FIG. 2 is the front elevational view thereof;
 FIG. 3 is the rear elevational view thereof;
 FIG. 4 is the right side elevational view thereof;
 FIG. 5 is the left side elevational view thereof;
 FIG. 6 is the top elevational view thereof; and,
 FIG. 7 is the bottom elevational view thereof.



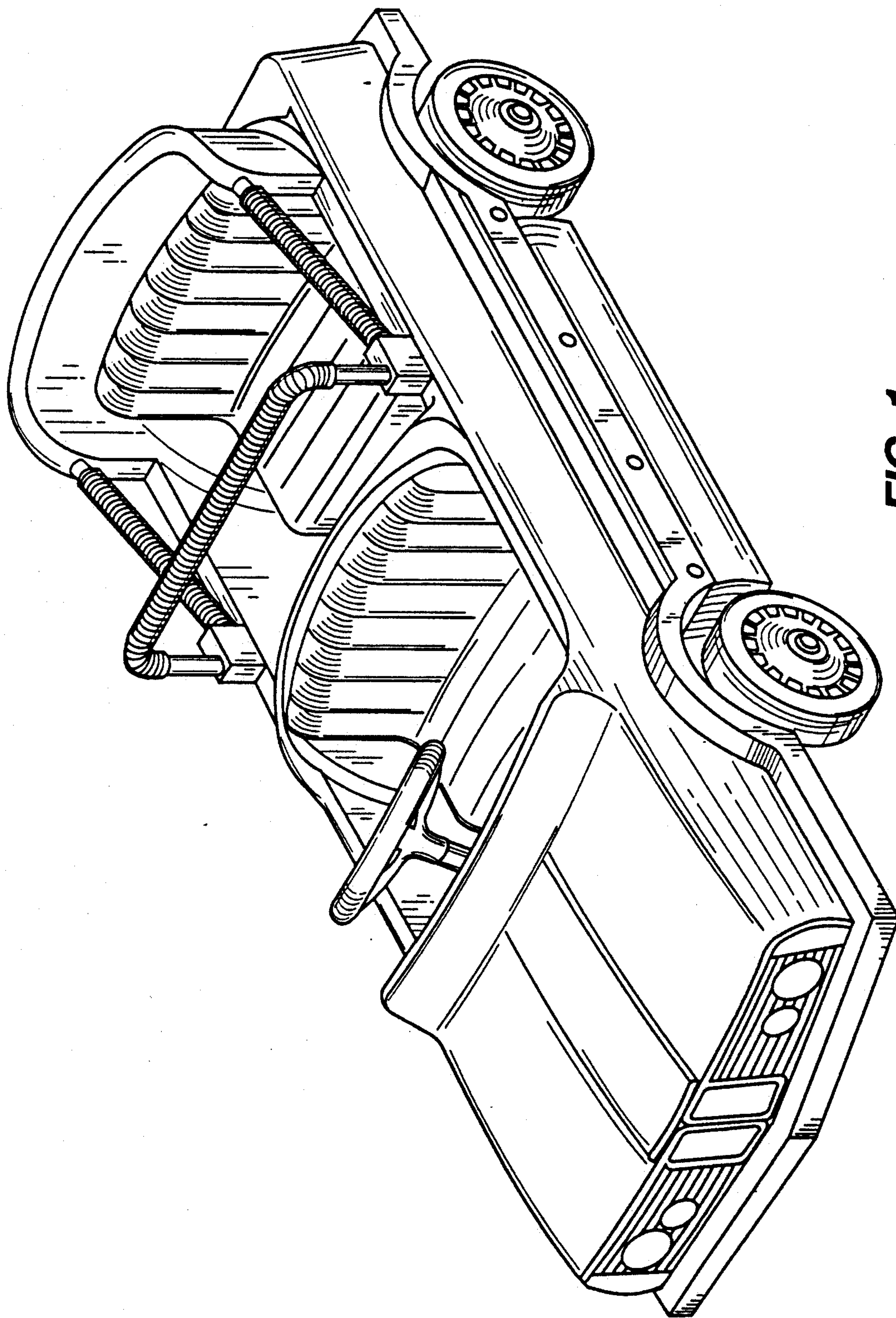


FIG. 1

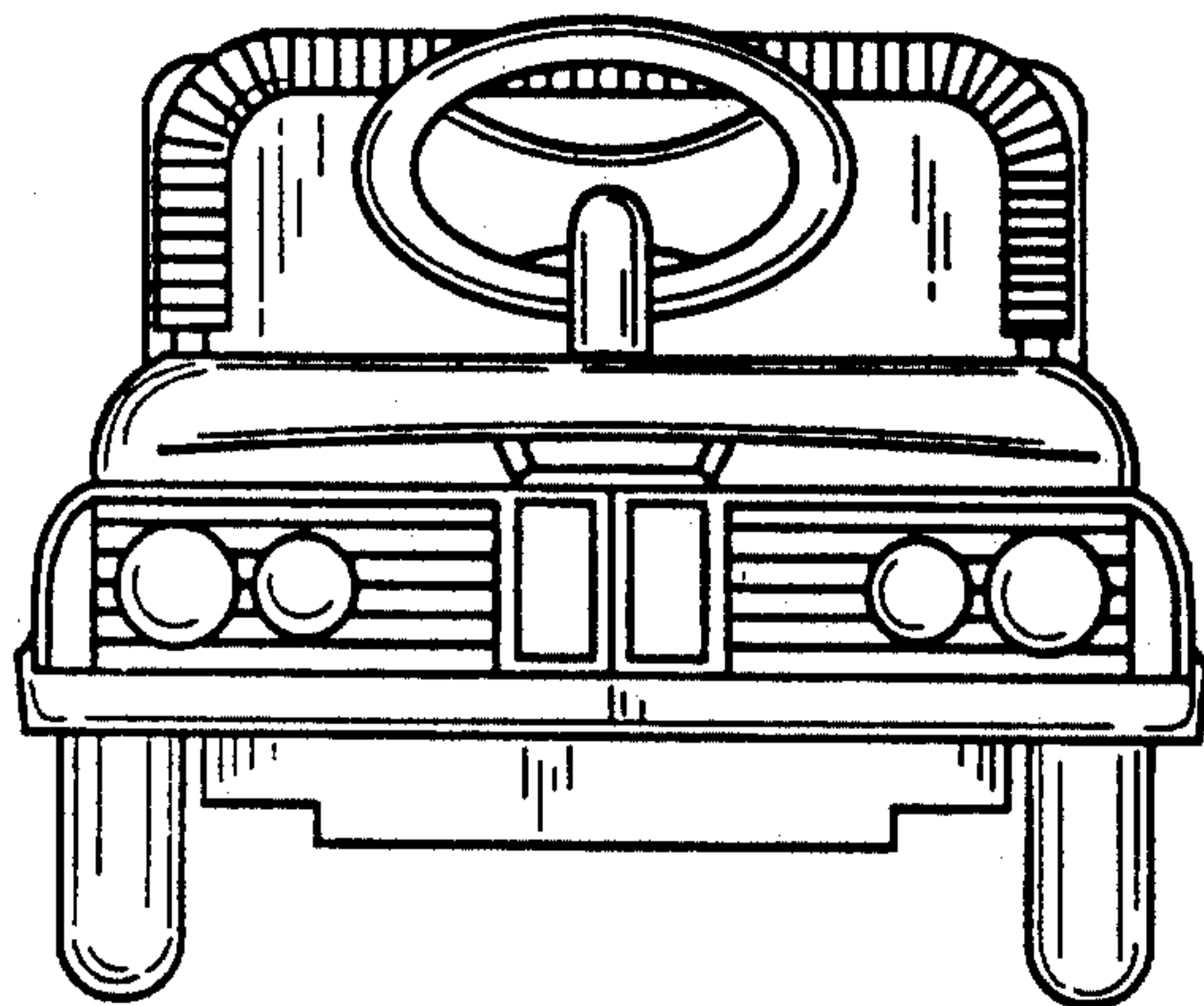


FIG. 2

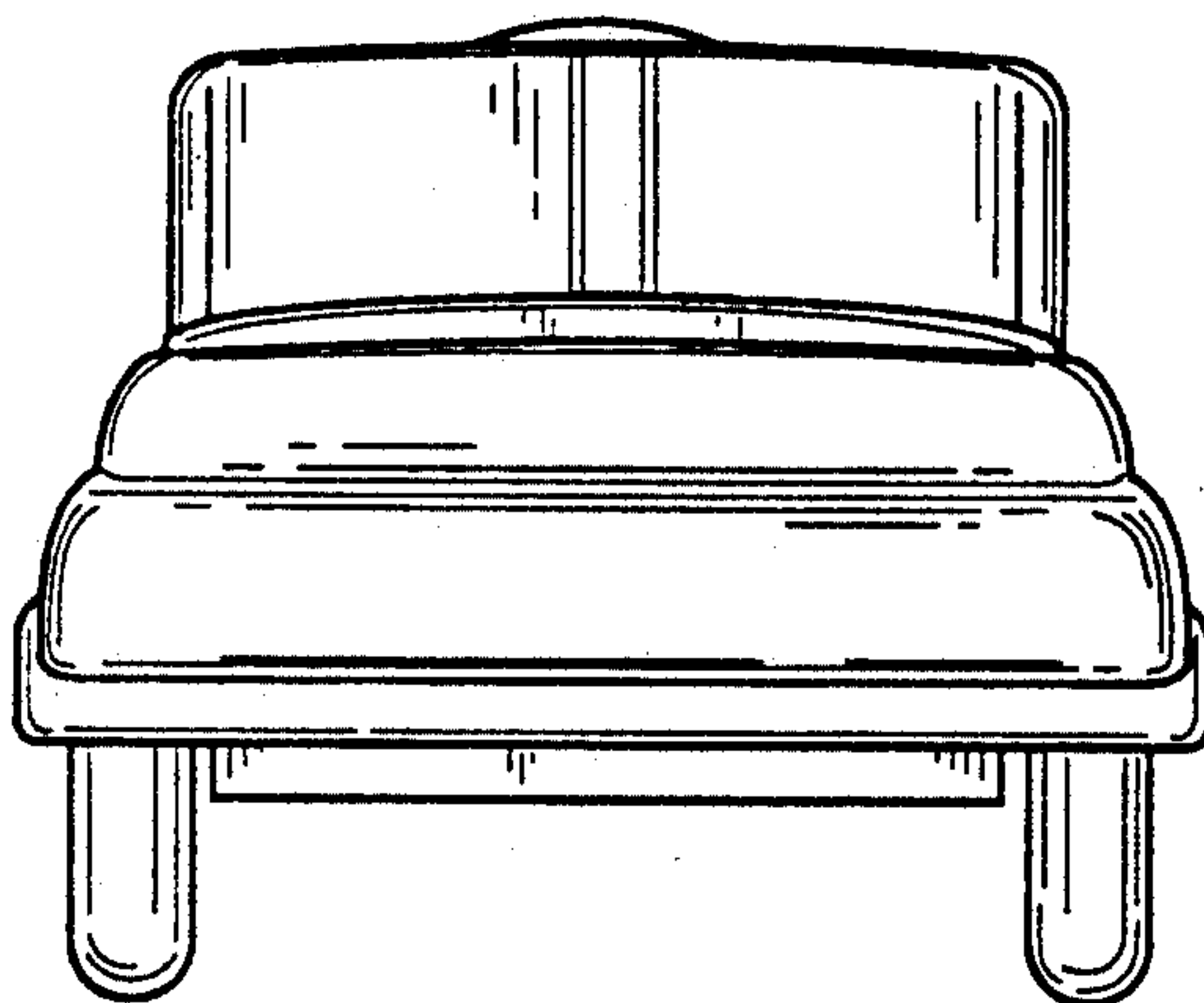


FIG. 3

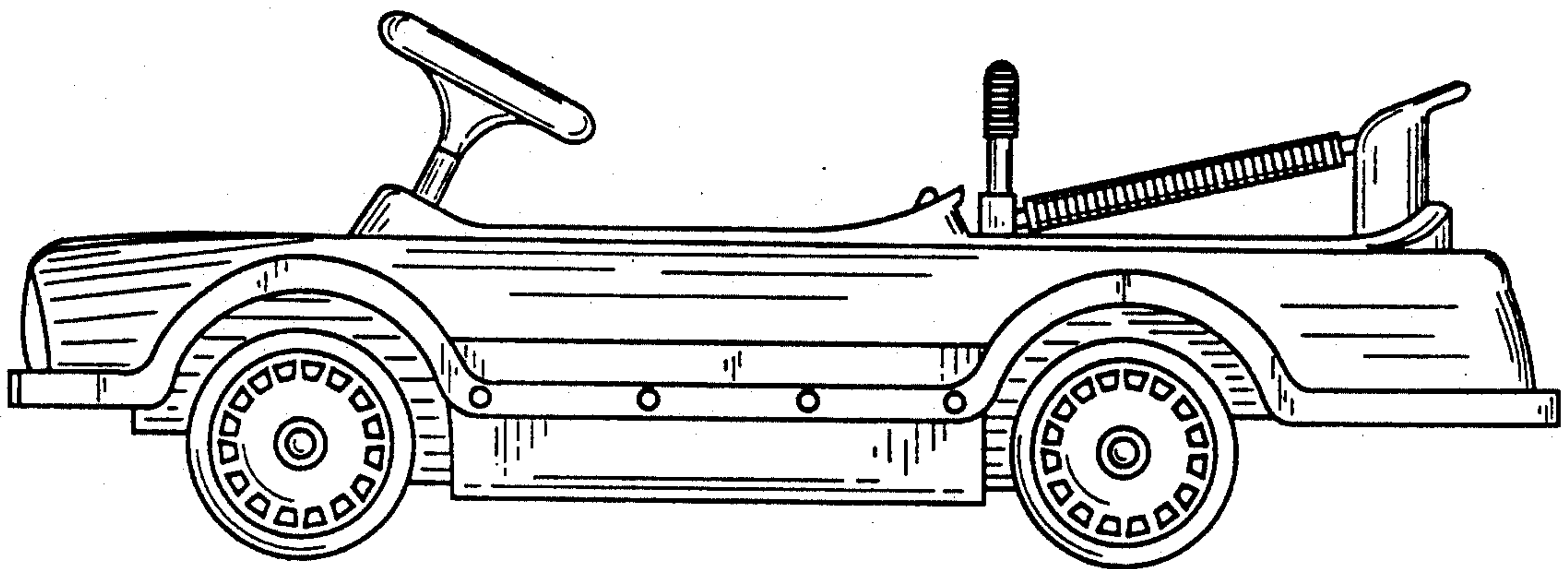


FIG. 4

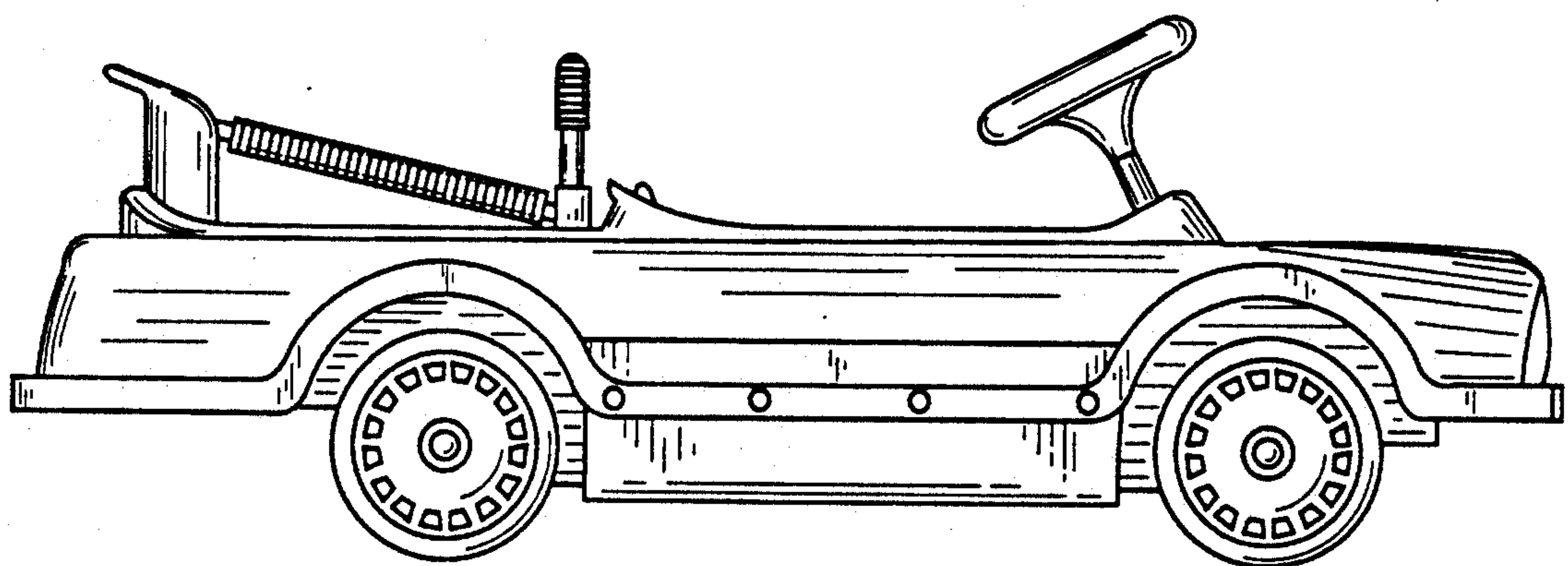


FIG. 5

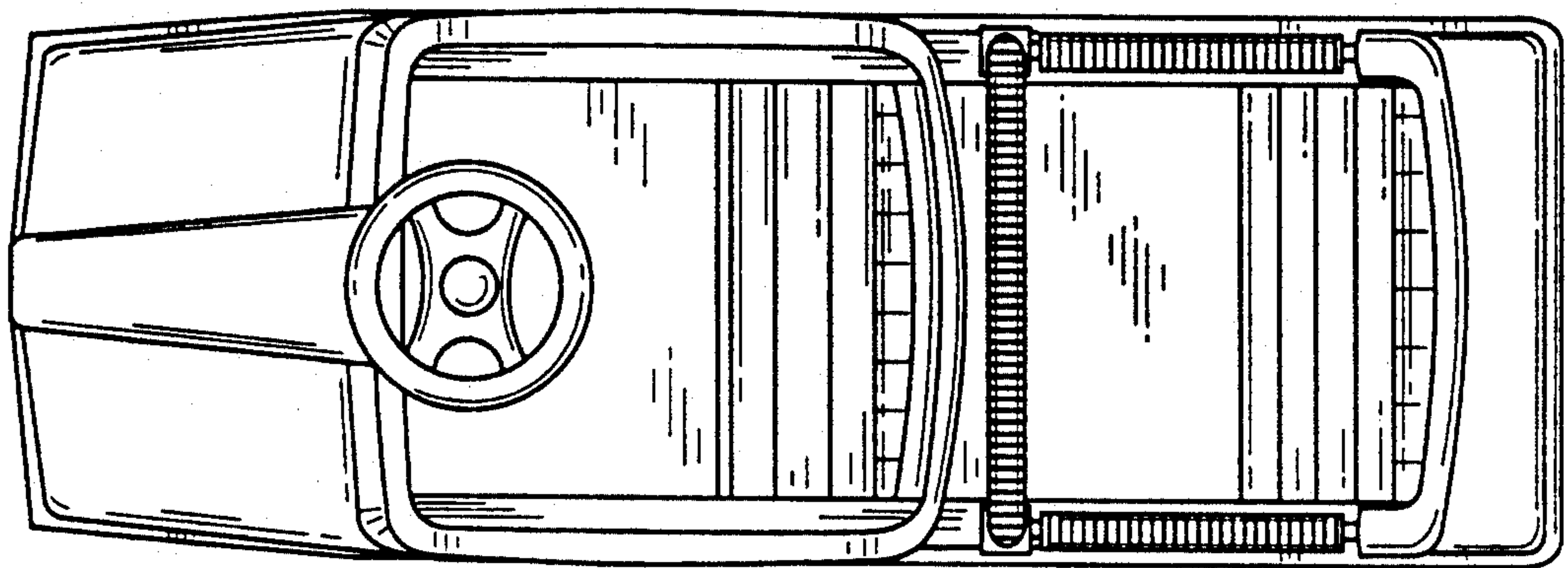


FIG. 6

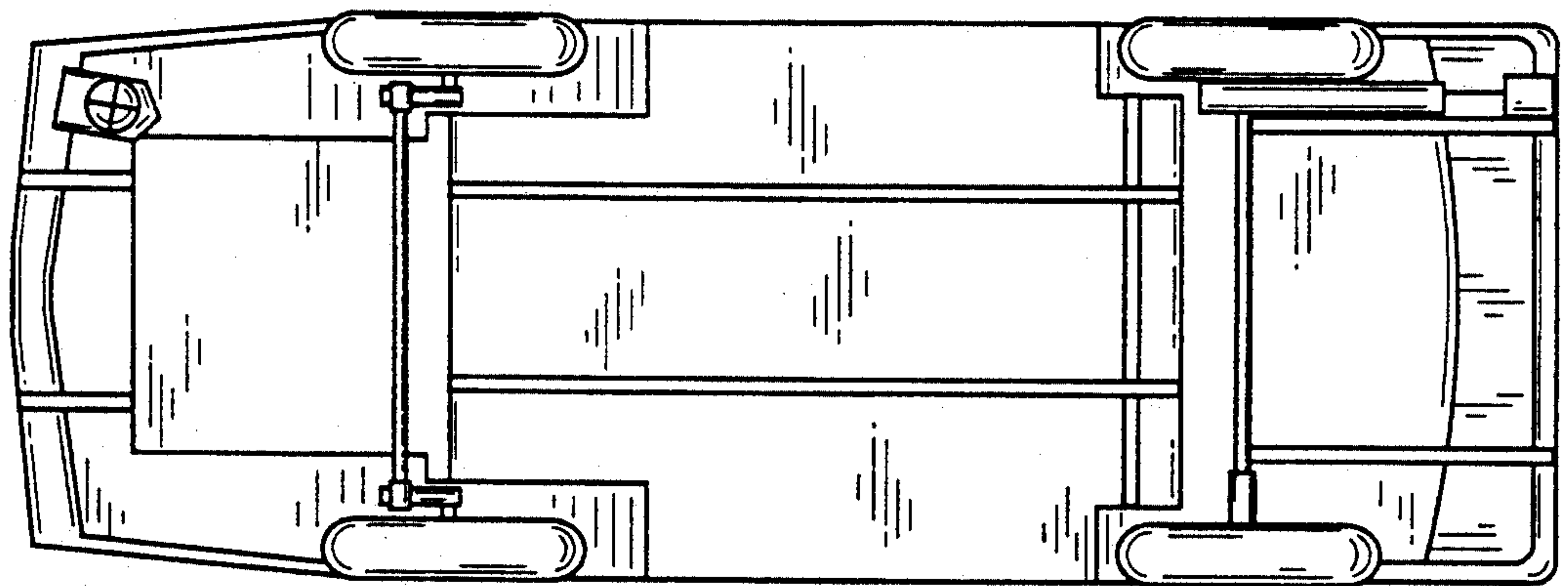


FIG. 7